



US00D935331S

(12) **United States Design Patent** (10) **Patent No.:** **US D935,331 S**
Calamai (45) **Date of Patent:** **** Nov. 9, 2021**

(54) **WATCH CASE**
(71) Applicant: **Richemont International SA,**
Villars-sur-Glâne (CH)
(72) Inventor: **Manfredi Calamai, Zürich (CH)**
(73) Assignee: **Richemont International SA,**
Villars-sur-Glâne (CH)
(**) Term: **15 Years**

D796,982 S * 9/2017 Muller D10/126
D813,691 S * 3/2018 Plange D10/38
D815,547 S * 4/2018 Plange D10/30
D815,548 S * 4/2018 Pilot D10/38
D816,529 S * 5/2018 Bode D10/126
D820,692 S * 6/2018 Antifora D10/39
D823,706 S * 7/2018 Dicks D10/126
D830,203 S * 10/2018 Antifora D10/39
D830,216 S * 10/2018 Gurtner D10/126
D840,844 S * 2/2019 Le Bot D10/39
D848,863 S * 5/2019 Le Bot D10/30

(Continued)

(21) Appl. No.: **29/724,058**
(22) Filed: **Feb. 12, 2020**
(51) **LOC (13) Cl.** **10-02**
(52) **U.S. Cl.**
USPC **D10/39**
(58) **Field of Classification Search**
USPC D10/30-39, 121-132; D14/344
CPC G04B 19/00; G04B 19/046; G04B 19/065;
G04B 19/10; G04B 19/12; G04B 19/18;
G04B 19/22; G04B 19/223; G04B
19/243; G04B 19/24306; G04B 19/28;
G04B 19/283; G04B 19/286; G04B
37/00; G04B 37/0008; G04B 37/0058;
G04B 37/005; G04B 37/12; G04B 39/00;
G04B 45/00; G04B 45/0069; G04B
45/0076; G04B 47/06; G04B 47/061;
G04B 47/063; G04B 47/065; G04B
47/066; G04B 47/068; G04B 47/042;
G04B 19/26; G04B 19/262; G04B
19/266; G04B 19/268; G04G 19/06
See application file for complete search history.

OTHER PUBLICATIONS

Introducing The IWC Portugieser Yacht Club Moon Tide | hodinkee.com; posted Apr. 2020 [online]. © 2009-2021, Hodinkee Inc. [retrieved Mar. 23, 2021] from Internet: <https://www.hodinkee.com/articles/iwc-portugieser-yacht-club-moon-and-tide-introducing> (Year: 2020).*

Primary Examiner — Katherine Glennon
(74) *Attorney, Agent, or Firm* — Taft Stettinius & Hollister LLP

(57) **CLAIM**

The ornamental design for a watch case, as shown and described.

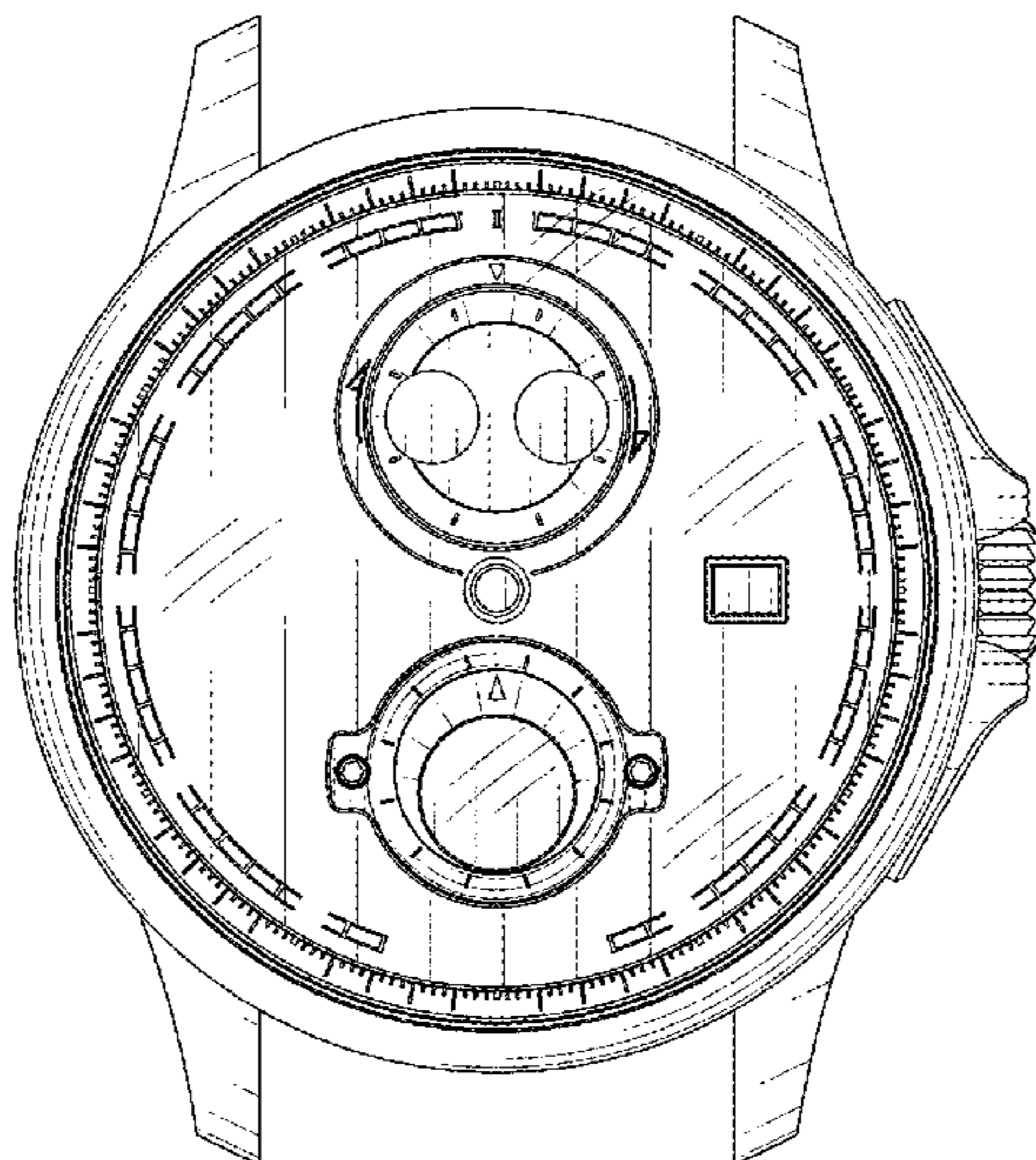
DESCRIPTION

FIG. 1 is a front elevational view of a watch case showing my new design;
FIG. 2 is a back elevational view thereof;
FIG. 3 is a bottom plan view thereof;
FIG. 4 is a top plan view thereof;
FIG. 5 is a right side elevational view thereof;
FIG. 6 is a left side elevational thereof;
FIG. 7 is a front, bottom, right side perspective view thereof; and,
FIG. 8 is a back, top, right side perspective view thereof.
The broken lines in the drawing figures depict portions of the watch case that form no part of the claimed design.

(56) **References Cited**
U.S. PATENT DOCUMENTS

D554,535 S * 11/2007 Journe D10/31
D628,507 S * 12/2010 Plange D10/126
D667,316 S * 9/2012 Tonohori D10/32
D705,670 S * 5/2014 Emmenegger D10/32
D761,680 S * 7/2016 Plange D10/126

1 Claim, 6 Drawing Sheets



(56)

References Cited

U.S. PATENT DOCUMENTS

D860,030	S *	9/2019	Muller	D10/126
D864,763	S *	10/2019	Muller	D10/39
D868,598	S *	12/2019	Gurtner	D10/39
D877,631	S *	3/2020	Muller	D10/39
D877,632	S *	3/2020	Antifora	D10/39
D894,759	S *	9/2020	Antifora	D10/39
2004/0156269	A1 *	8/2004	Plange	G04B 19/26 368/17
2011/0032802	A1 *	2/2011	Muller	G04B 19/23 368/22

* cited by examiner

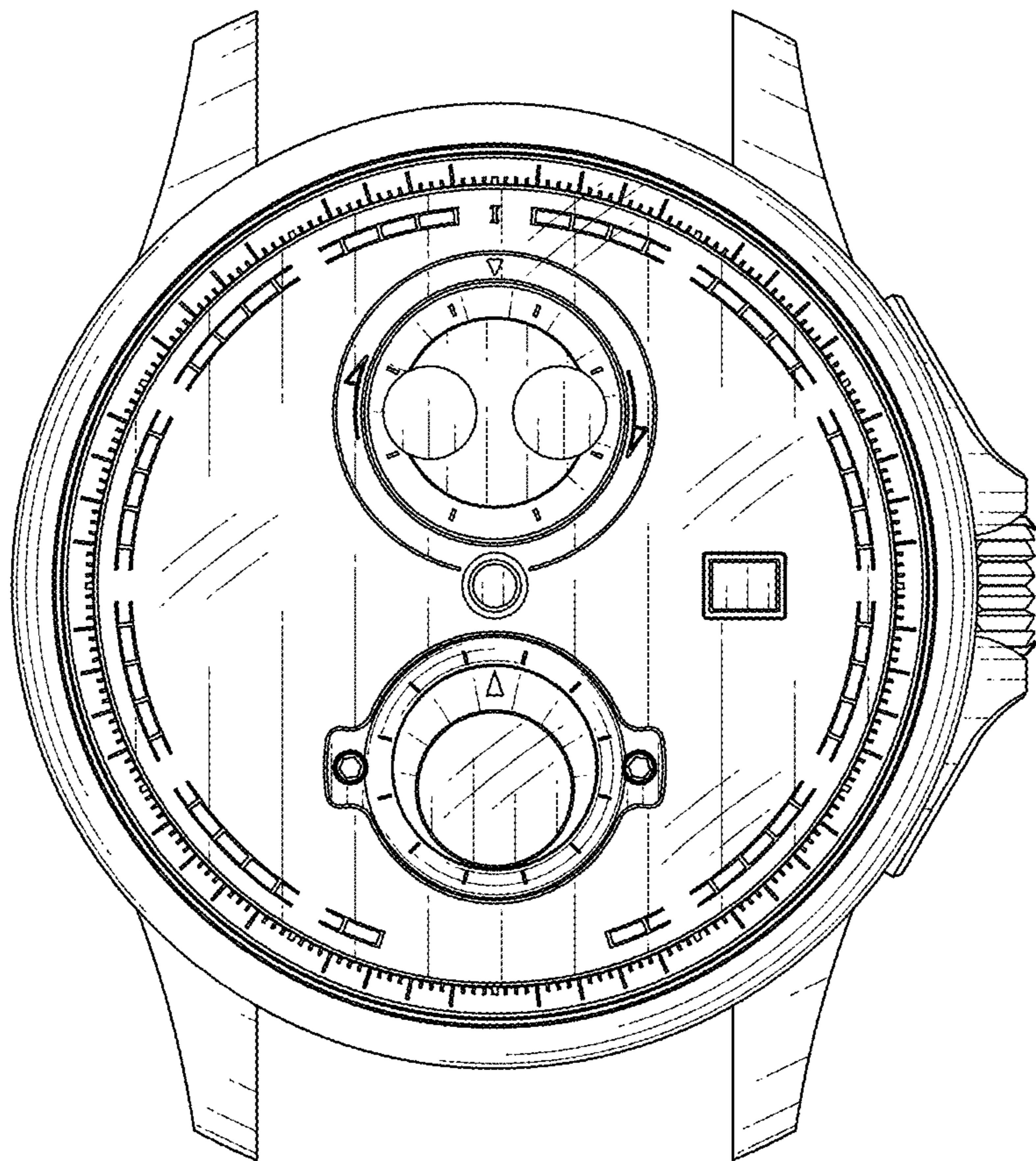


Fig. 1

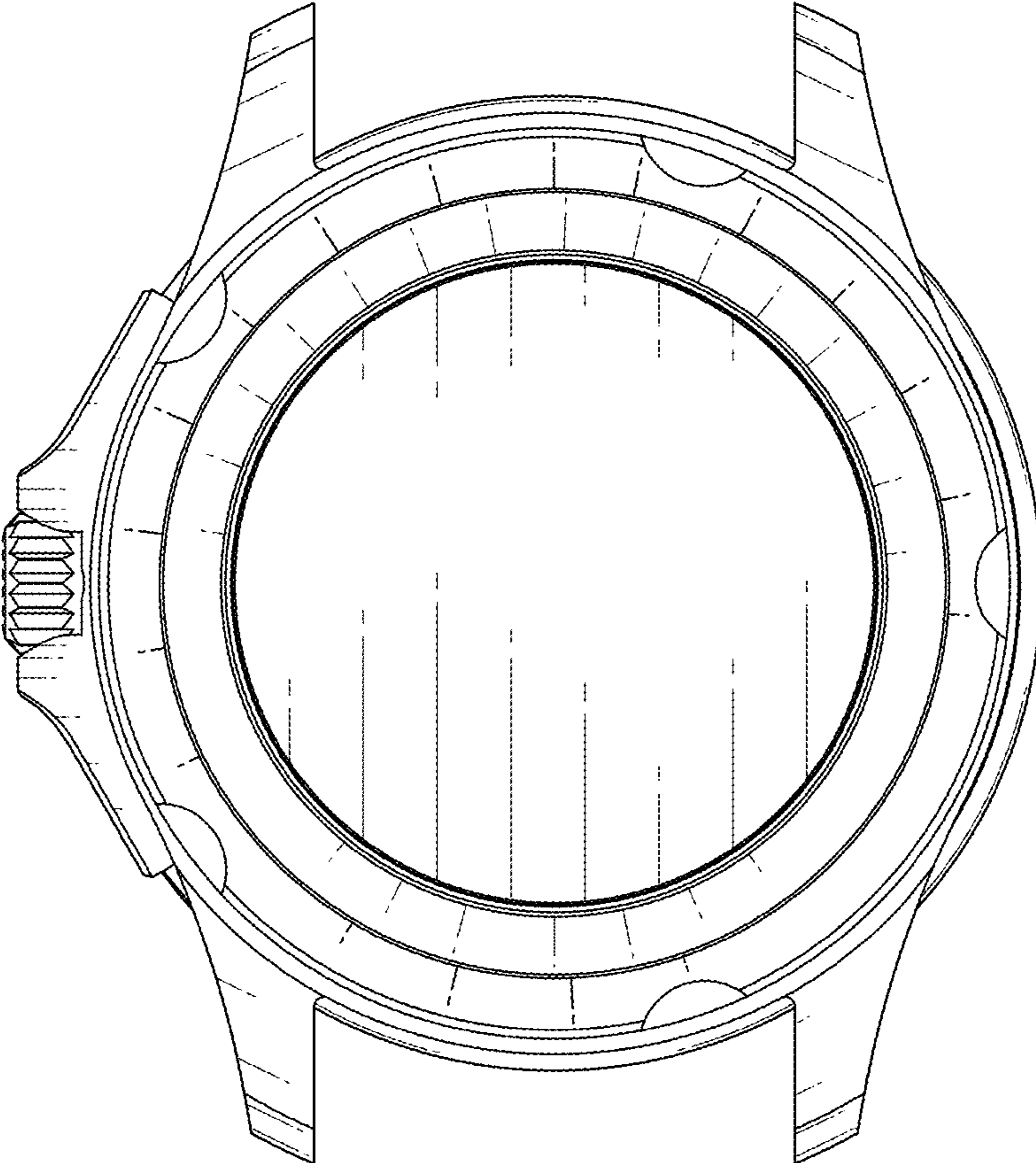


Fig. 2

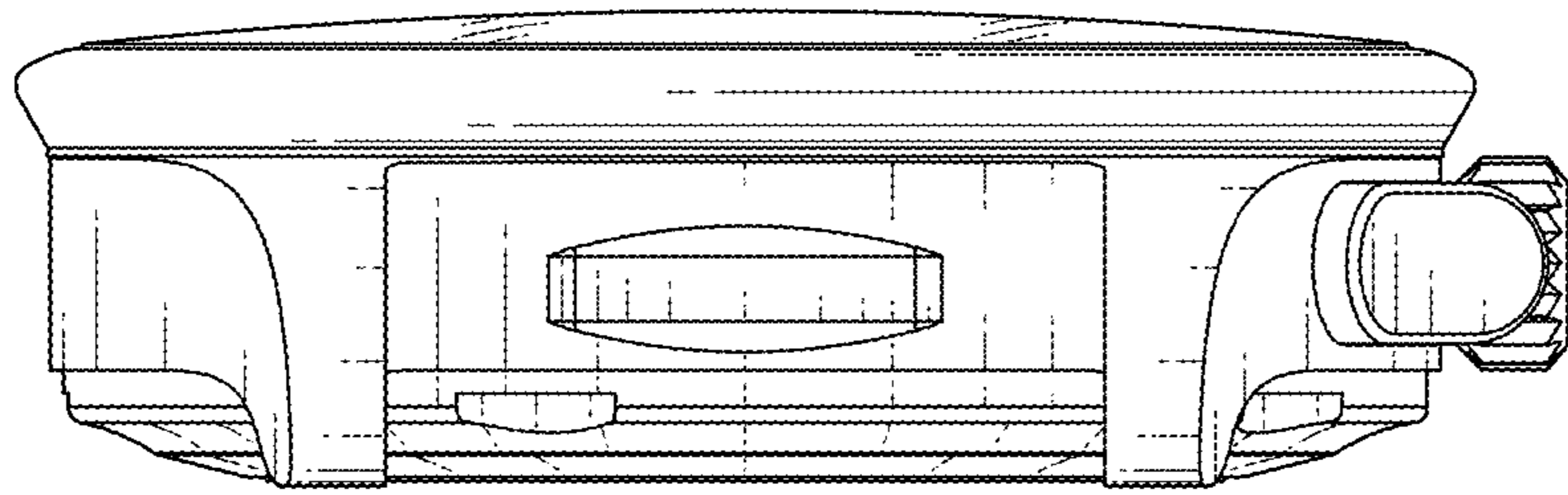


Fig. 3

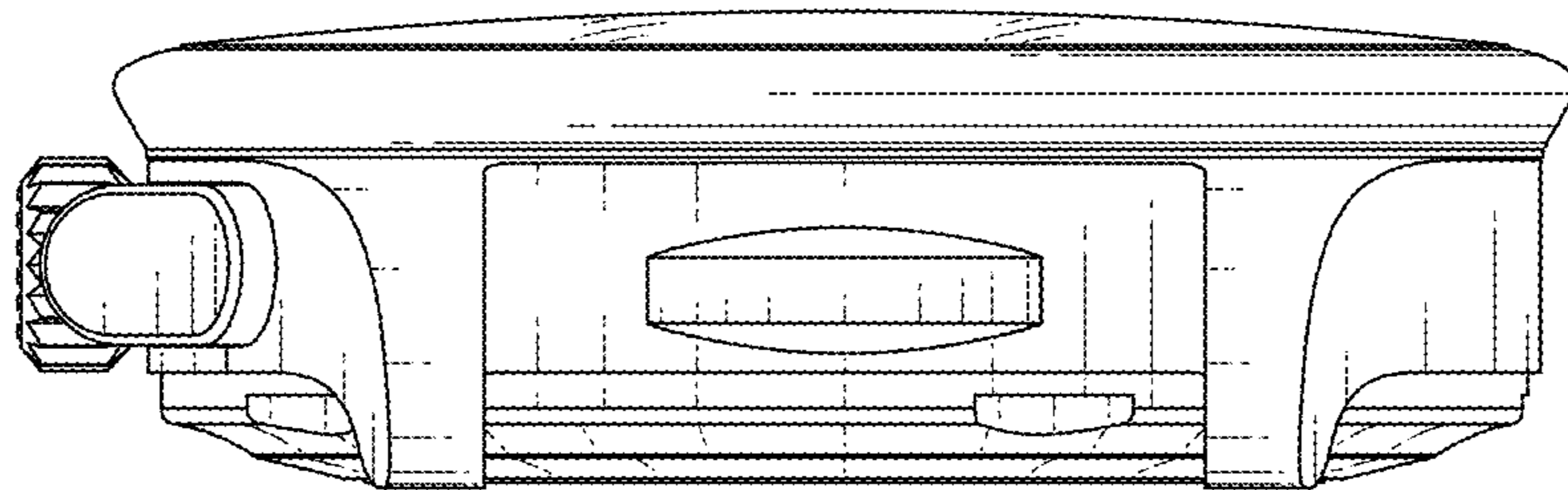


Fig. 4

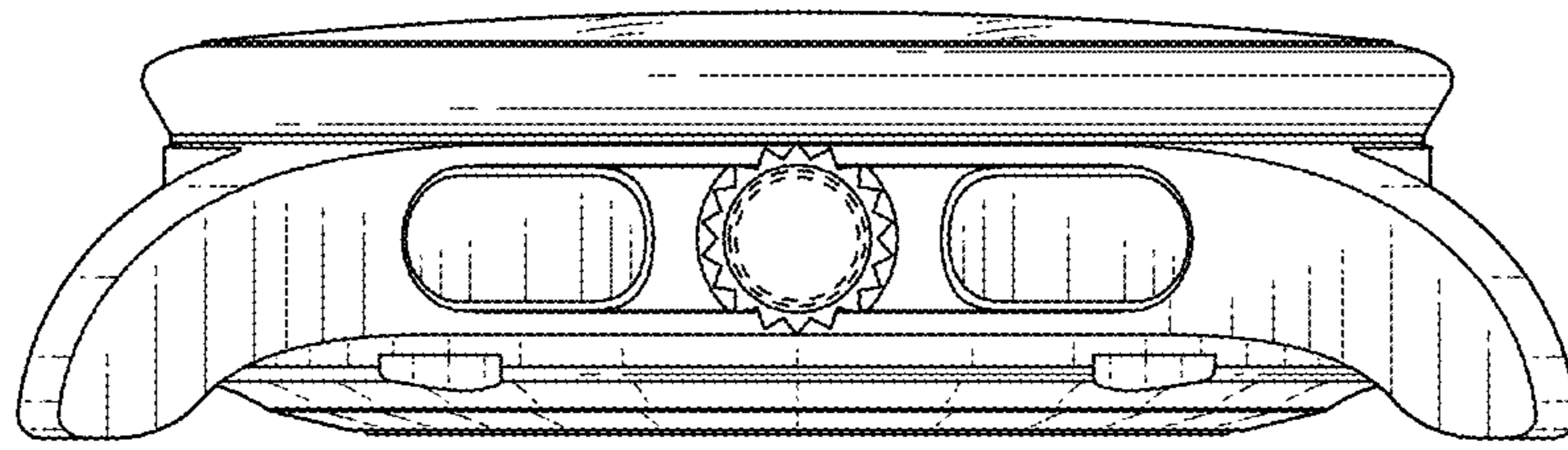


Fig. 5

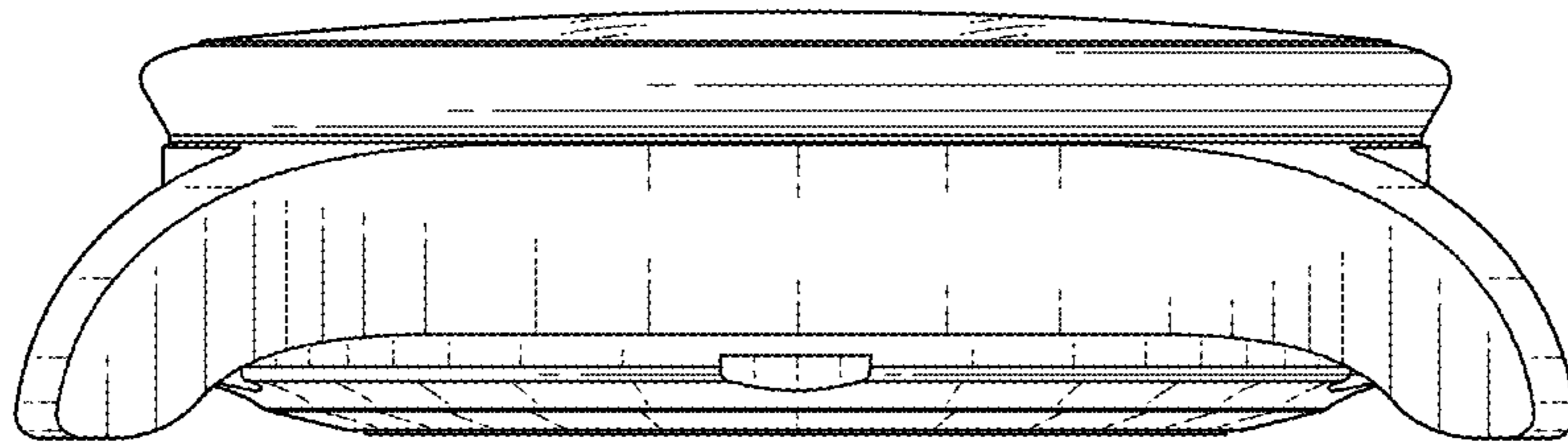


Fig. 6

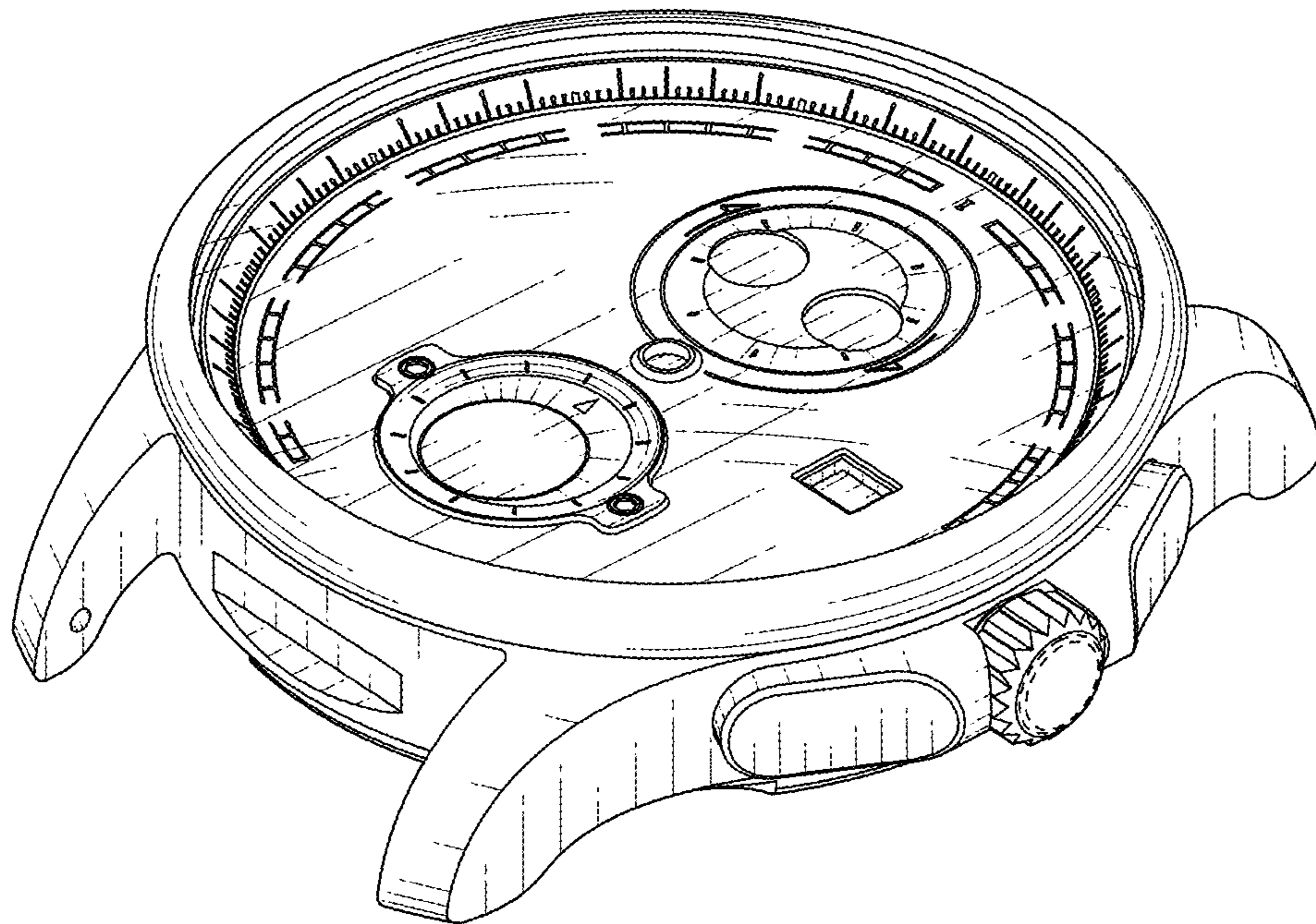


Fig. 7

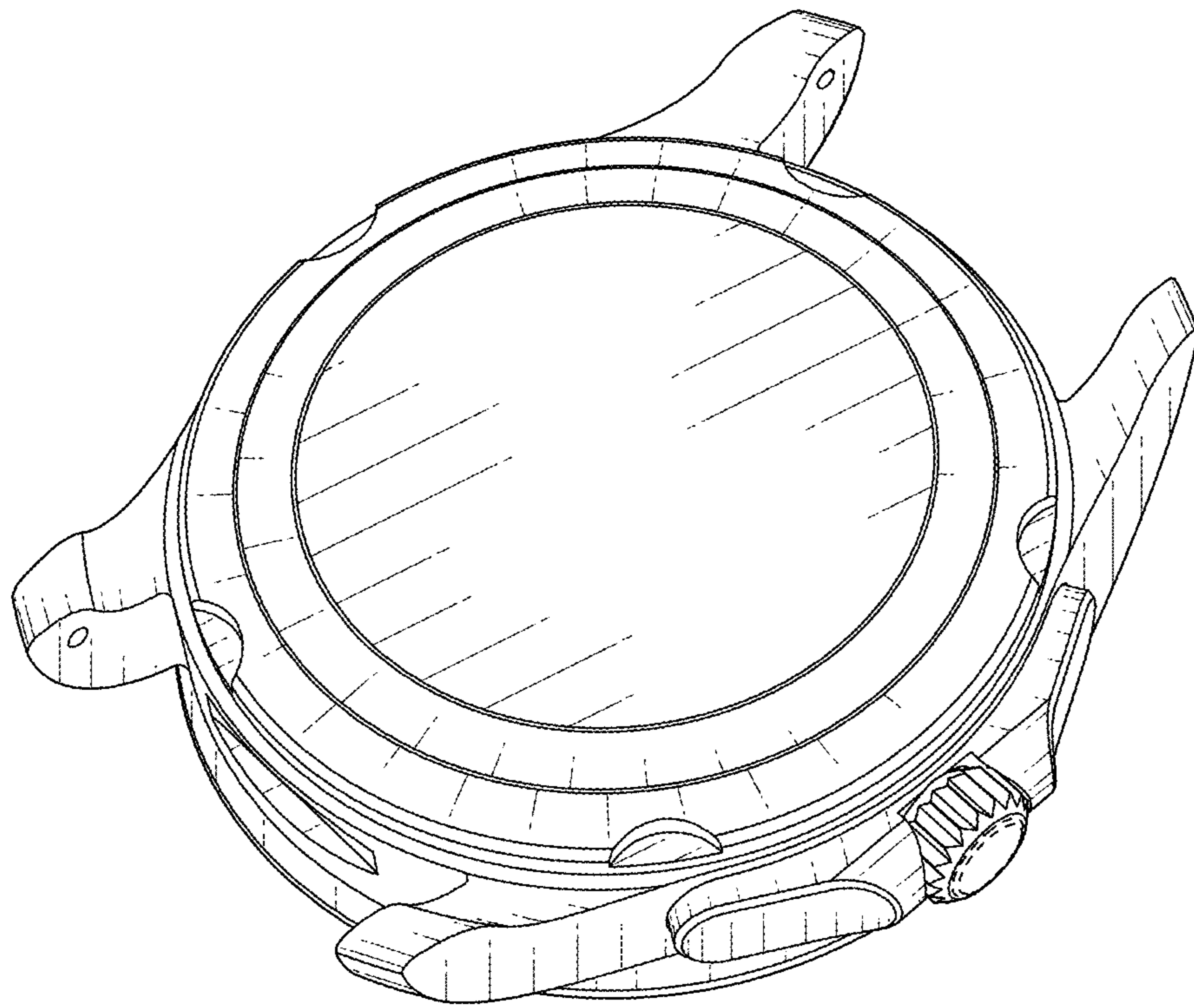


Fig. 8