



US00D935330S

(12) **United States Design Patent** (10) **Patent No.:** **US D935,330 S**
Kieser (45) **Date of Patent:** **** Nov. 9, 2021**

(54) **WATCH CASE**

(71) Applicant: **Matthias Kieser**, Frankfurt am Main (DE)

(72) Inventor: **Matthias Kieser**, Frankfurt am Main (DE)

(**) Term: **15 Years**

(21) Appl. No.: **35/509,107**

(22) Filed: **Sep. 10, 2019**

(80) **Hague Agreement Data**

Int. Filing Date: **Sep. 10, 2019**

Int. Reg. No.: **DM/207009**

Int. Reg. Date: **Sep. 10, 2019**

Int. Reg. Pub. Date: **Apr. 17, 2020**

(30) **Foreign Application Priority Data**

Mar. 13, 2019 (EM) 006306197-0002

(51) **LOC (13) Cl.** **10-02**

(52) **U.S. Cl.**
USPC **D10/38**

(58) **Field of Classification Search**
USPC D10/32, 39, 38
See application file for complete search history.

(56) **References Cited**

U.S. PATENT DOCUMENTS

D533,470 S *	12/2006	Krieger	D10/39
D659,026 S *	5/2012	Yurman	D10/32
D715,163 S *	10/2014	Jamin	D10/32
D755,644 S *	5/2016	Giannini	D10/39
D793,883 S *	8/2017	Kouda	D10/39
D843,232 S *	3/2019	Michele	D10/39
D853,252 S *	7/2019	Haugen	D10/39

* cited by examiner

Primary Examiner — George D. Kirschbaum

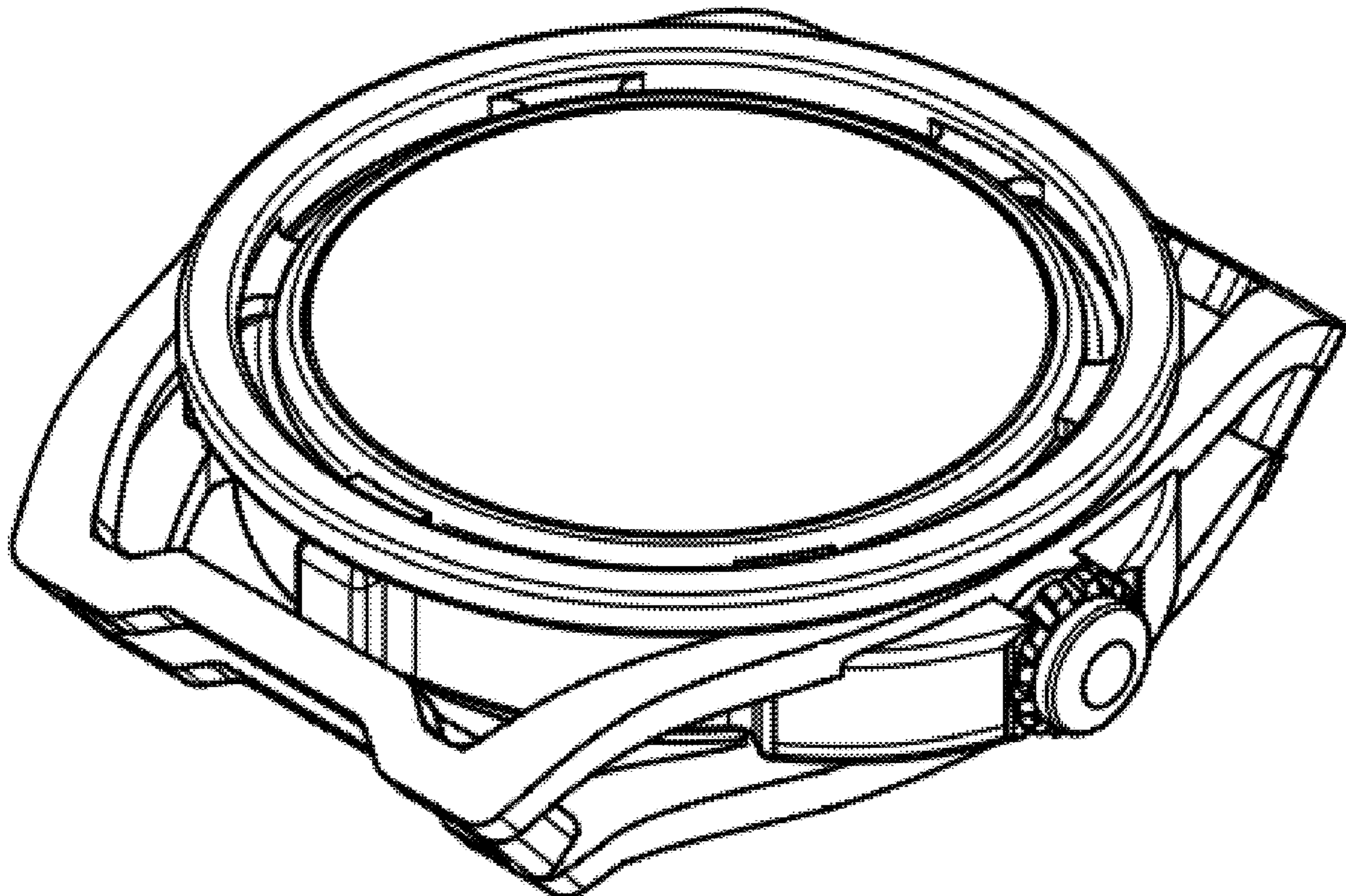
(57) **CLAIM**

The ornamental design for a watch case, as shown and described.

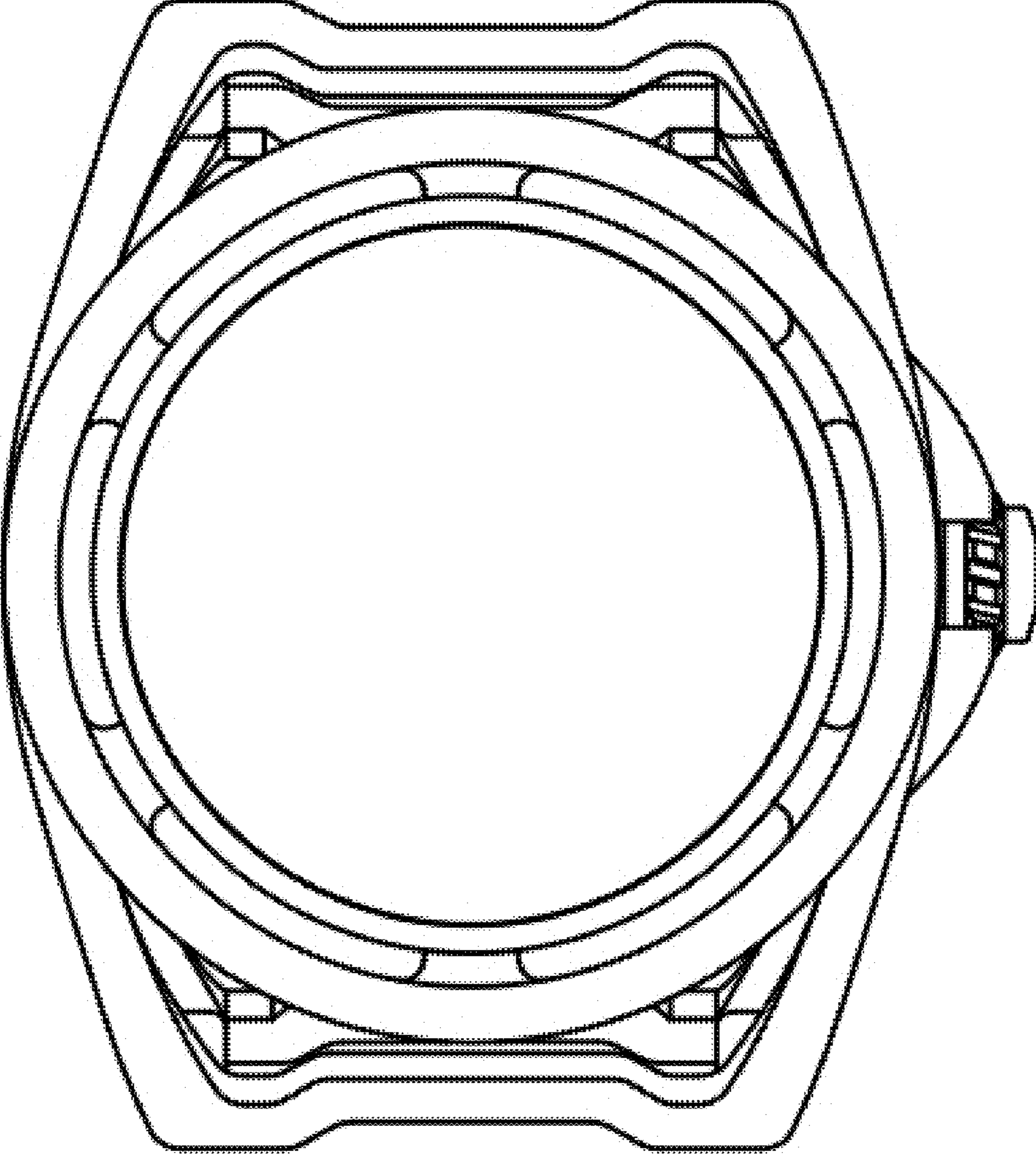
DESCRIPTION

- 2. Watch case
- 2.1 : Front
- 2.2 : diagonally from the right to the left
- 2.3 : Left
- 2.4 : Bottom
- 2.5 : Right
- 2.6 : Back
- 2.7 : Top

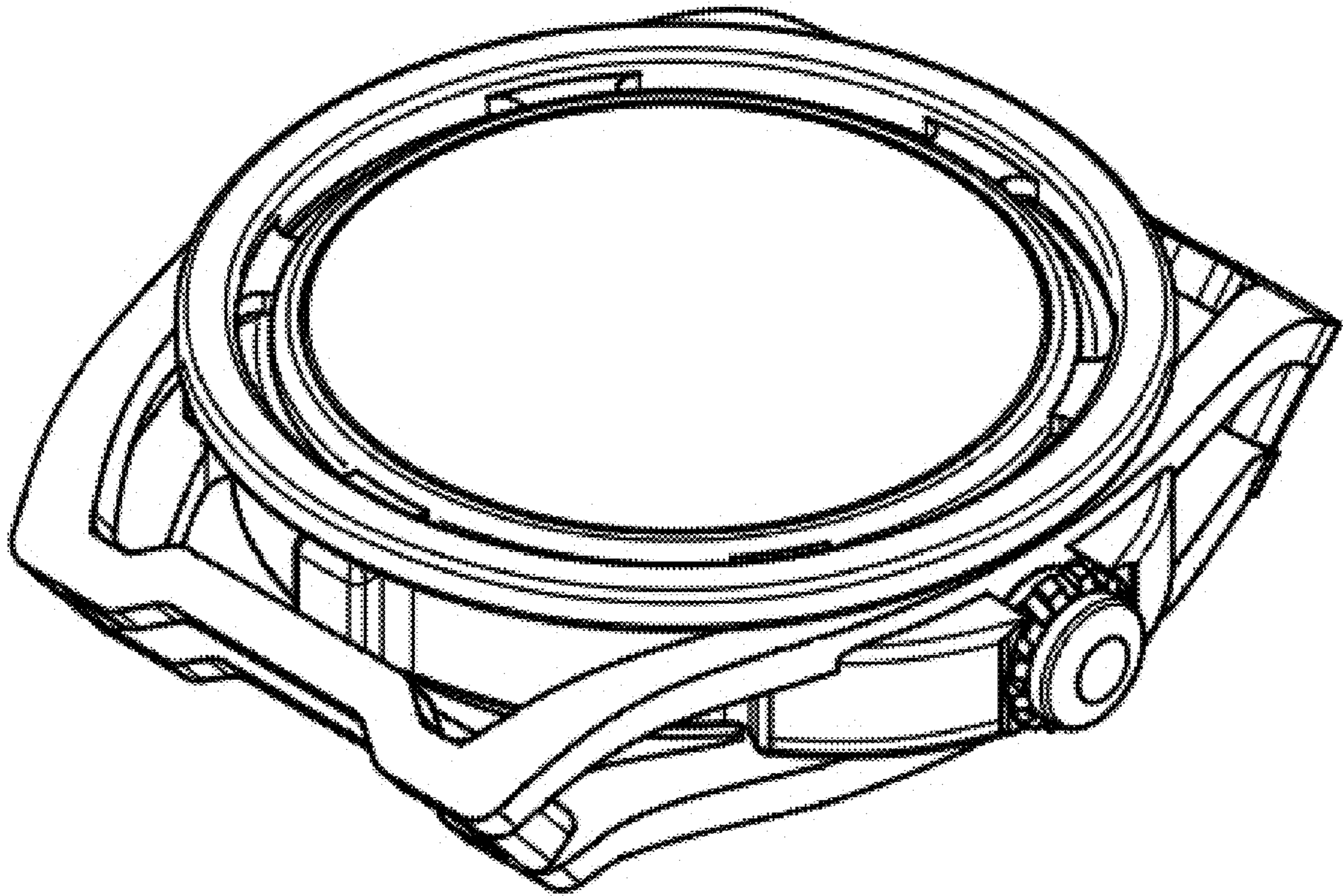
1 Claim, 7 Drawing Sheets



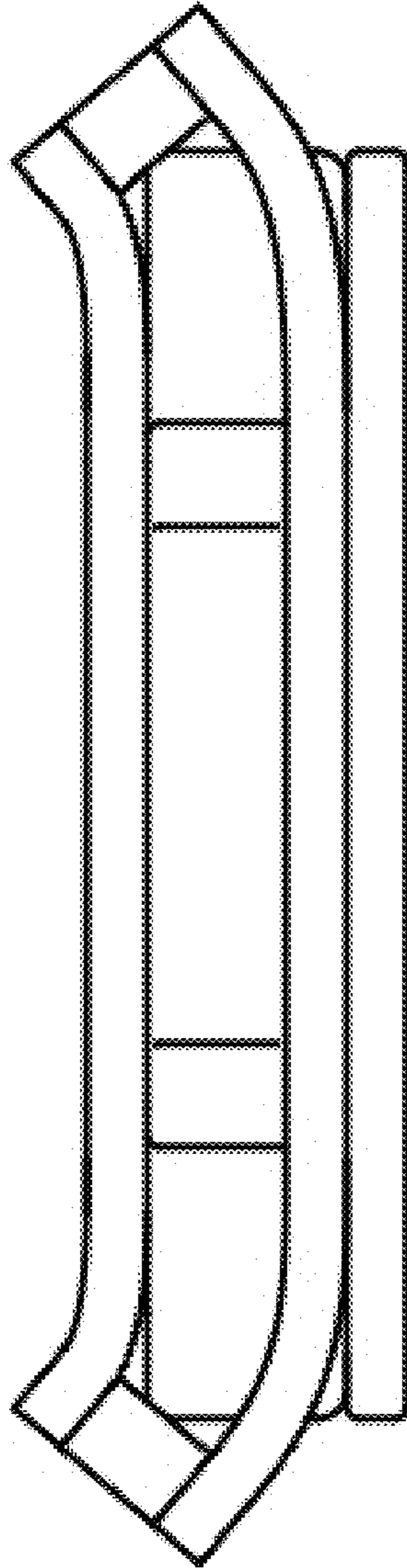
2.1



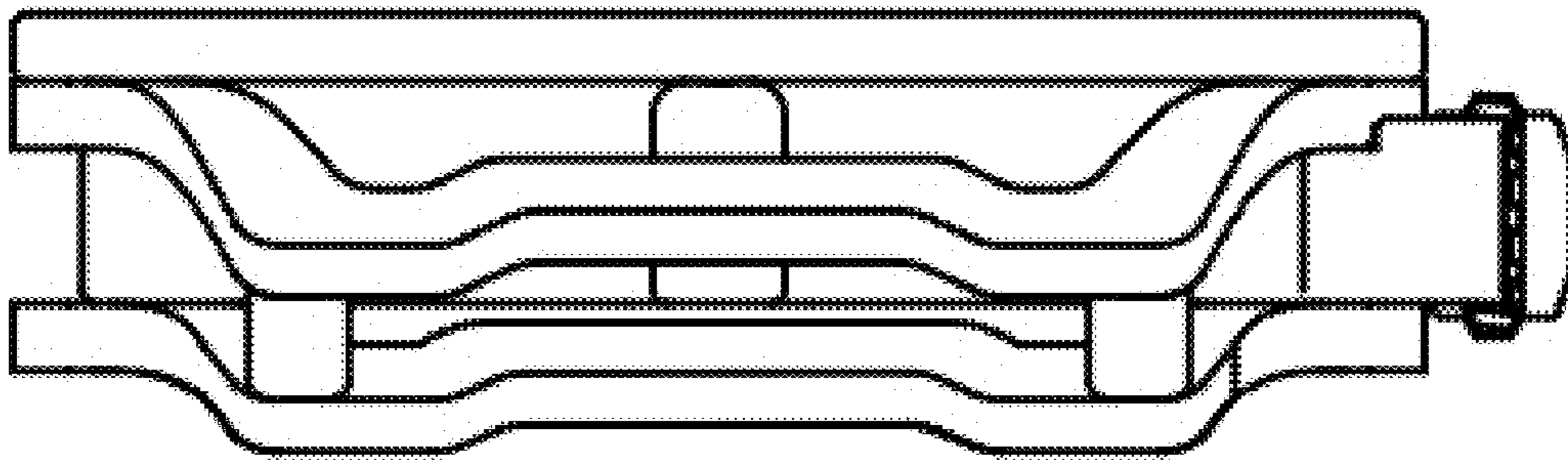
2.2



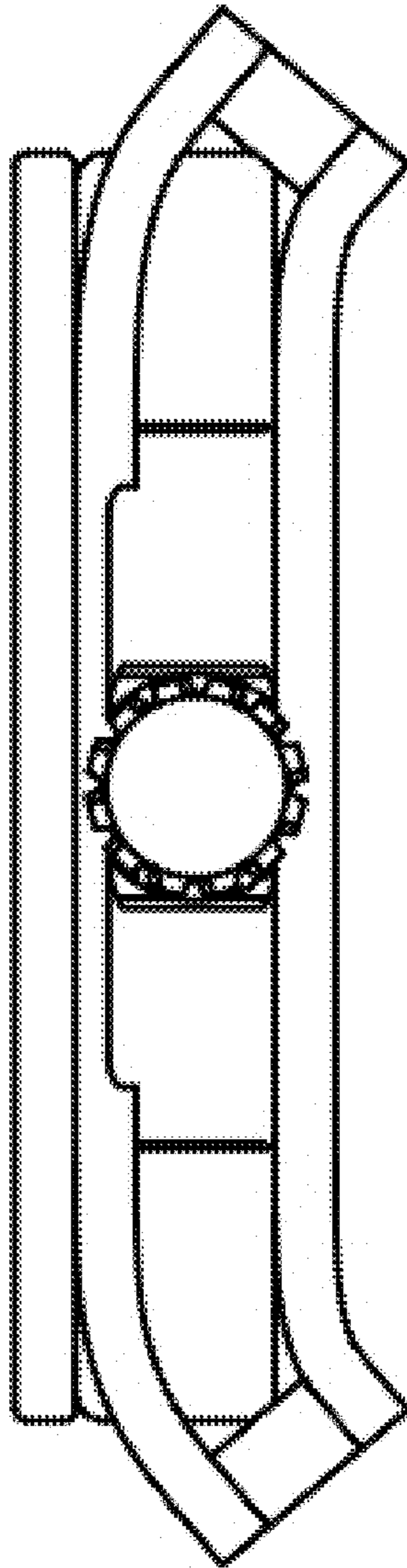
2.3



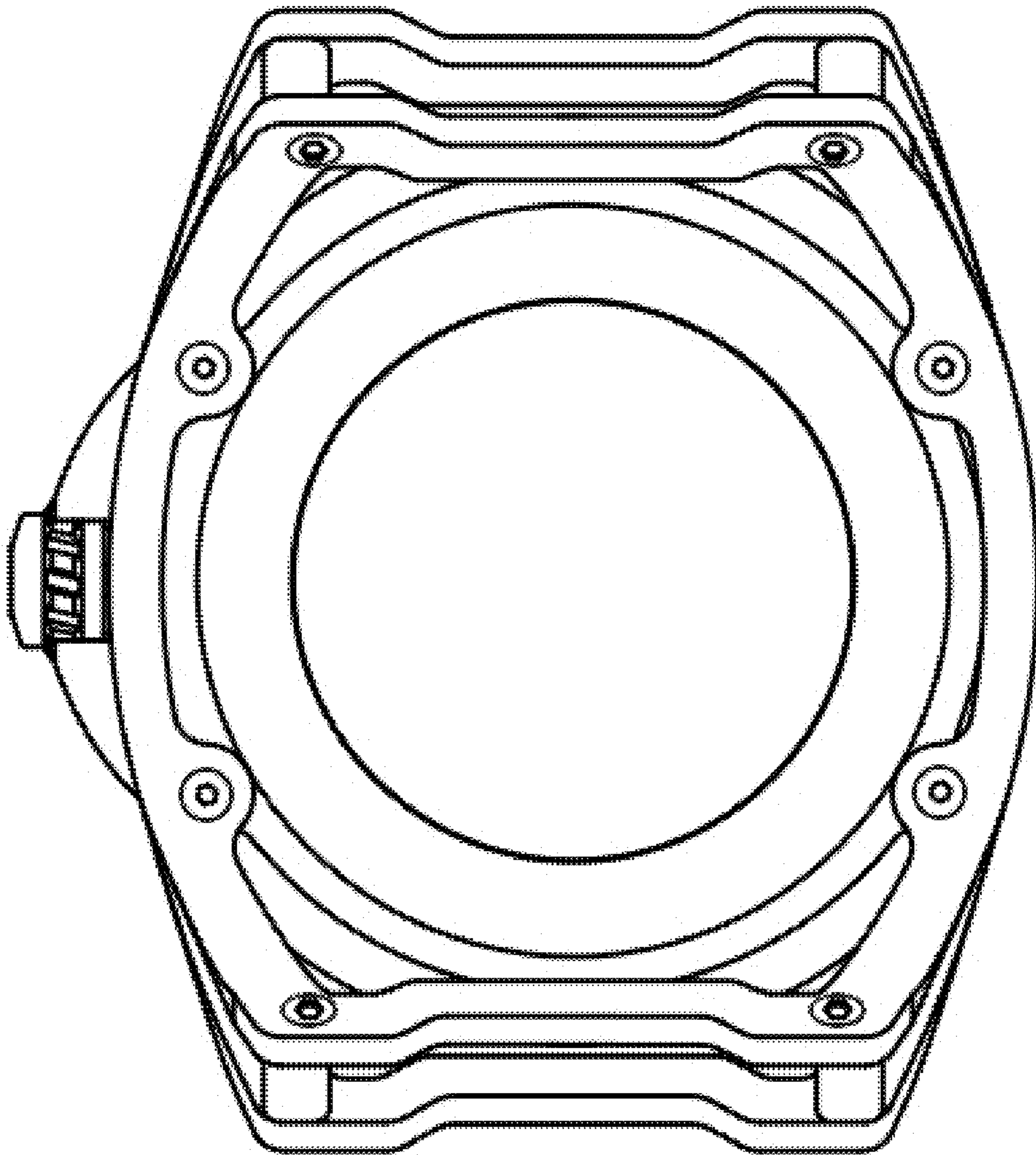
2.4



2.5



2.6



2.7

