



US00D935329S

(12) **United States Design Patent** (10) **Patent No.:** **US D935,329 S**
Xu (45) **Date of Patent:** **** Nov. 9, 2021**

(54) **WAKE-UP LIGHT ALARM CLOCK**

(71) Applicant: **Xiaohu Xu**, Yiyang (CN)

(72) Inventor: **Xiaohu Xu**, Yiyang (CN)

(**) Term: **15 Years**

(21) Appl. No.: **29/757,308**

(22) Filed: **Nov. 5, 2020**

(51) **LOC (13) Cl.** **10-01**

(52) **U.S. Cl.**
USPC **D10/5; D10/15; D10/22; D14/171**

(58) **Field of Classification Search**
USPC D10/1-6, 14-15, 22, 23, 28;
D14/170-172, 188, 195, 197-198, 203.1;
D26/51, 52, 54
CPC G04C 19/00; G04C 19/02; G04C 23/00;
G04C 23/02; G04C 17/00; G04C
17/0016; G04G 17/00; G04G 17/08;
G04G 17/086; G04G 13/02; G04G
13/021; G04G 13/028; G04G 21/00;
G04G 21/02; G04G 21/06; G04G 21/08;
G04G 9/00

See application file for complete search history.

(56) **References Cited**

U.S. PATENT DOCUMENTS

D304,690 S * 11/1989 Zang D10/15
D396,722 S * 8/1998 Benedetti D14/194
D413,069 S * 8/1999 Kokkinis D10/15
D468,216 S * 1/2003 Hsu D10/15
D478,562 S * 8/2003 Hu D14/171
D478,890 S * 8/2003 Ng D14/170
D486,073 S * 2/2004 Morgan D10/15
D489,706 S * 5/2004 Chen D14/195
D492,279 S * 6/2004 Lee D14/188
D500,253 S * 12/2004 Bhavnani D10/2
D506,460 S * 6/2005 Chan D14/188
D586,236 S * 2/2009 Madsen D10/15
D596,506 S * 7/2009 Fernie D10/1

D602,380 S * 10/2009 Fernie D10/15
D685,514 S * 7/2013 Djajadiningrat D26/93
D690,455 S * 9/2013 Hagenauer D26/93
D739,592 S * 9/2015 Hagenauer D26/106
D756,326 S * 5/2016 Holzer D14/171
D793,869 S * 8/2017 Jeon D10/2
D814,948 S * 4/2018 Bodum D10/40
D821,890 S * 7/2018 Jin D10/23
D832,306 S * 10/2018 Liao D14/496
D843,981 S * 3/2019 Yang D14/230
D844,457 S * 4/2019 Zhong D10/23
D859,679 S * 9/2019 Xu D24/210
D860,494 S * 9/2019 Gebski D26/52
D868,985 S * 12/2019 Xu D24/210
D889,012 S * 6/2020 Lin D26/51
D900,353 S * 10/2020 Yi D26/24

FOREIGN PATENT DOCUMENTS

CN 202030532067 * 9/2020

* cited by examiner

Primary Examiner — Katherine Glennon

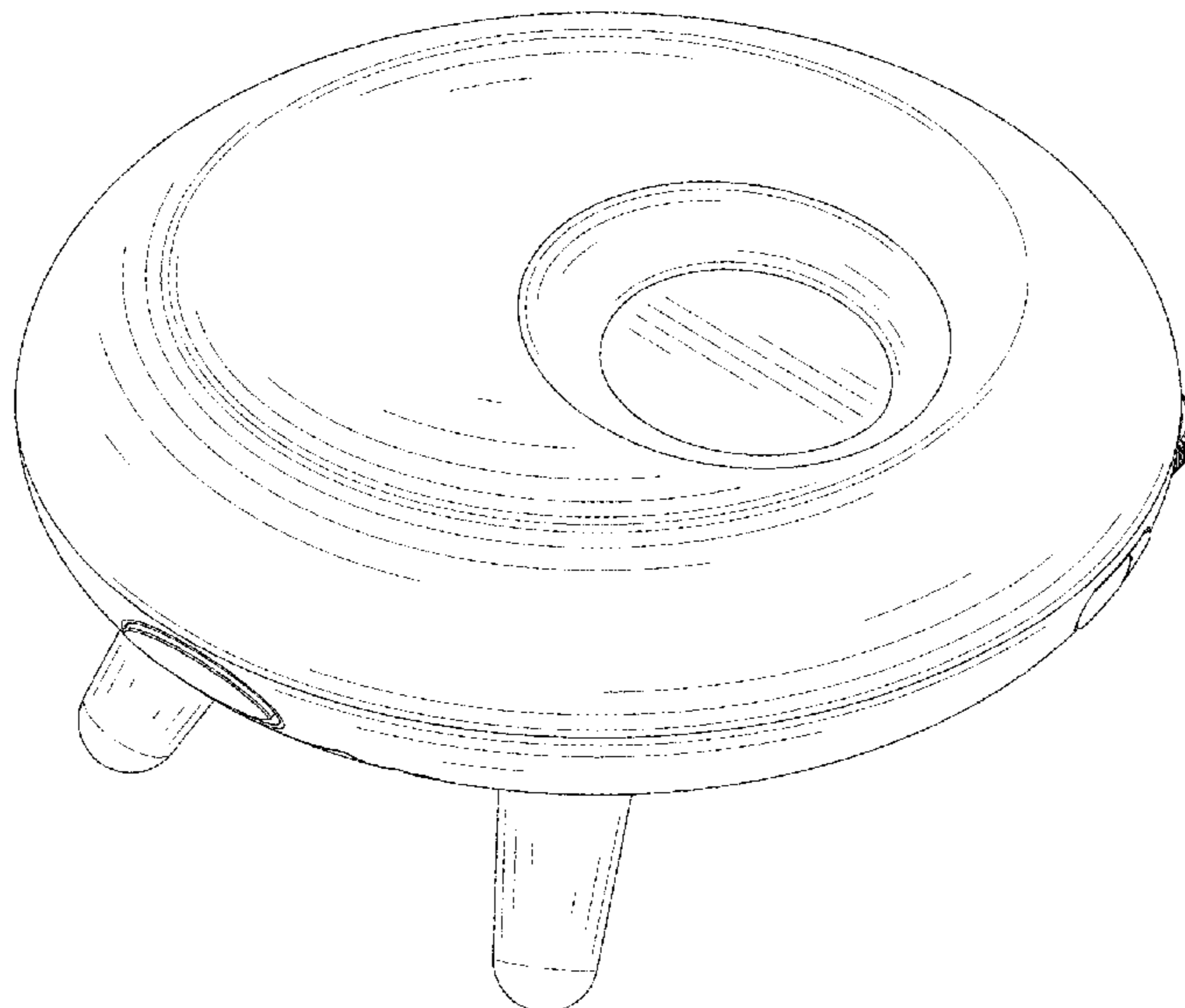
(57) **CLAIM**

The ornamental design for a wake-up light alarm clock, as shown and described.

DESCRIPTION

FIG. 1 is a first perspective view of a wake-up light alarm clock showing my new design;
FIG. 2 is a second perspective view thereof;
FIG. 3 is a front view thereof;
FIG. 4 is a back view thereof;
FIG. 5 is a left side view thereof;
FIG. 6 is a right side view thereof;
FIG. 7 is a top view thereof; and,
FIG. 8 is a bottom view thereof.
The broken lines, shown in the drawings depict portions of the wake-up light alarm clock in which the design is embodied that form no part of the claimed design.

1 Claim, 8 Drawing Sheets



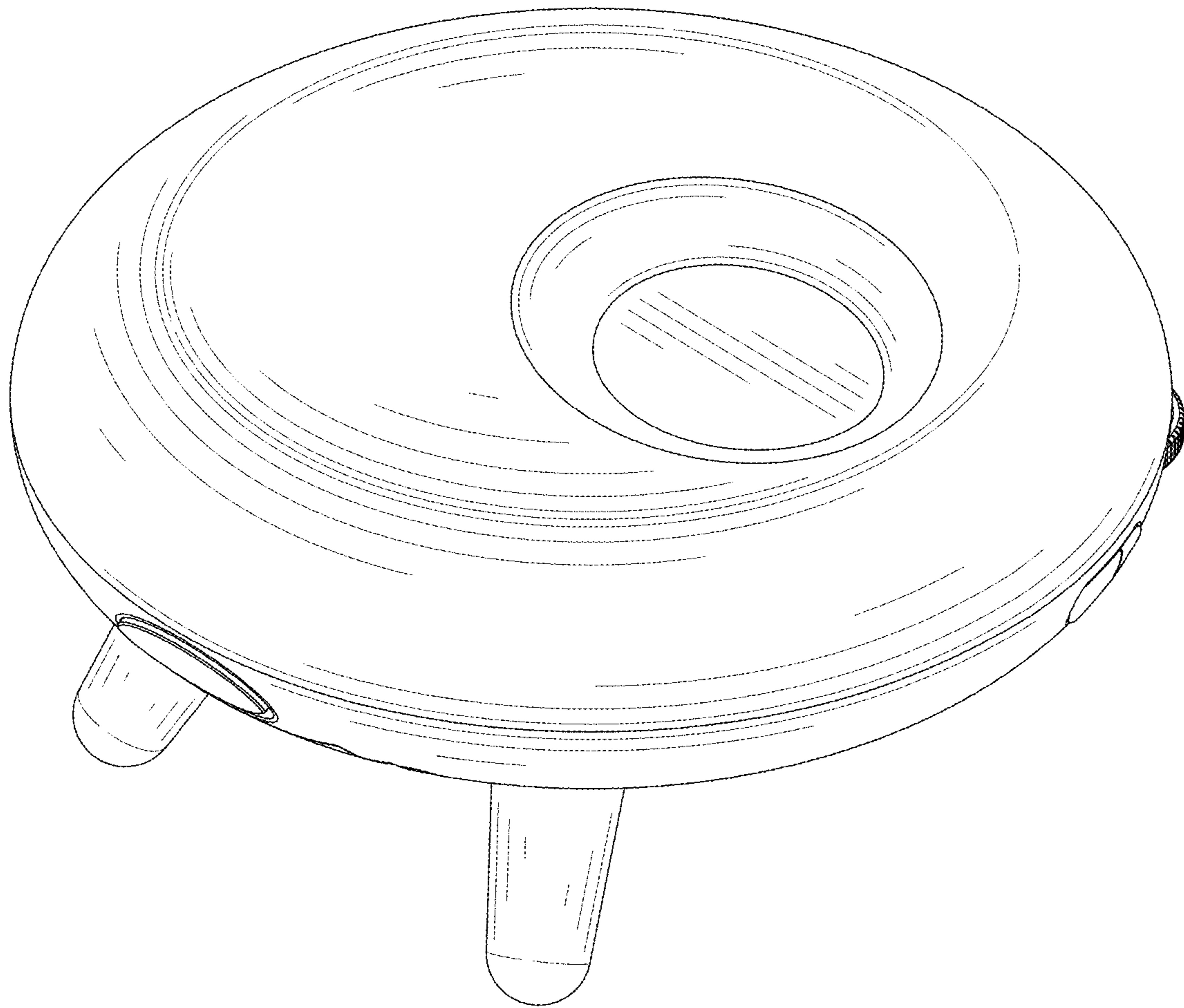


FIG. 1

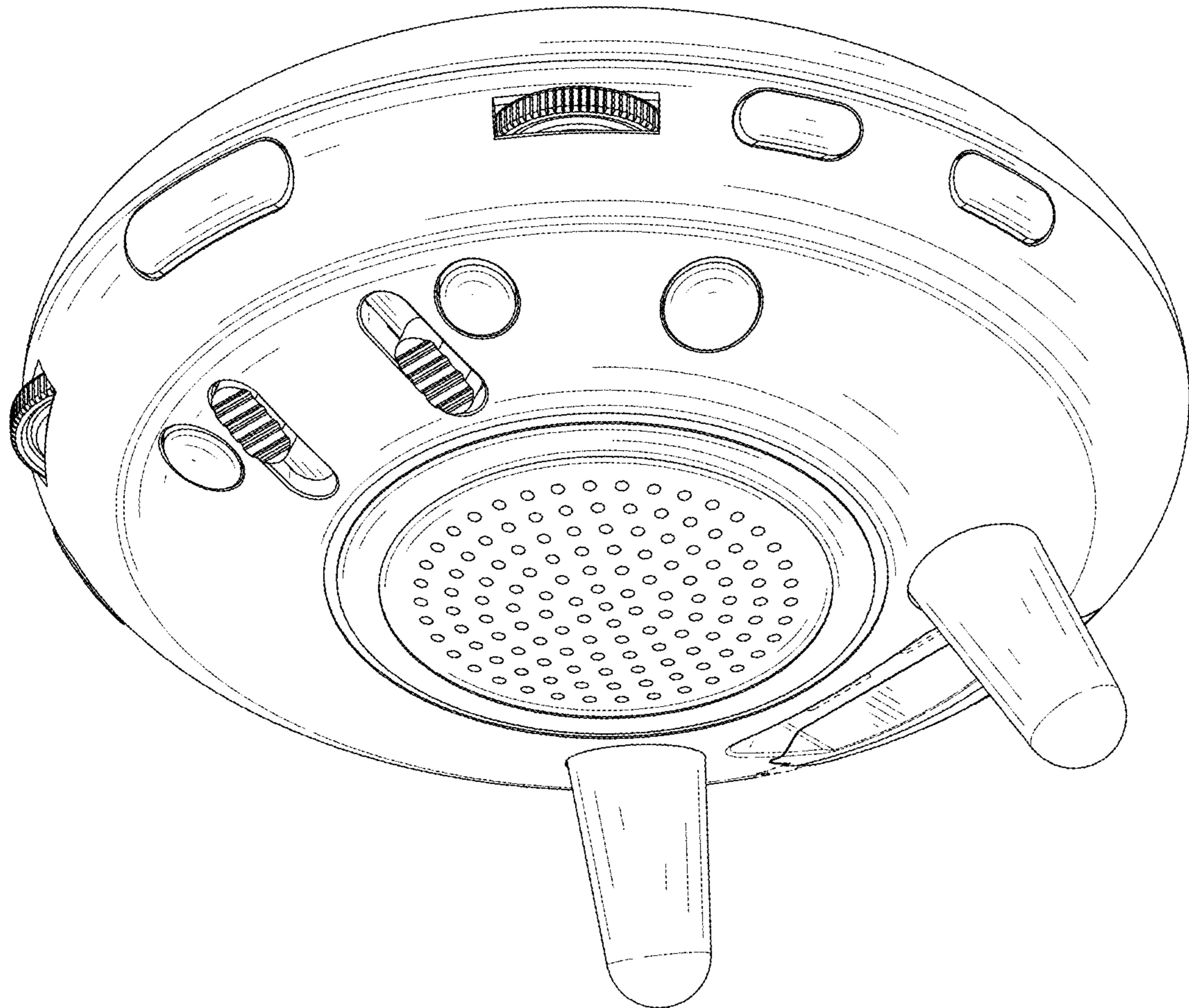


FIG. 2

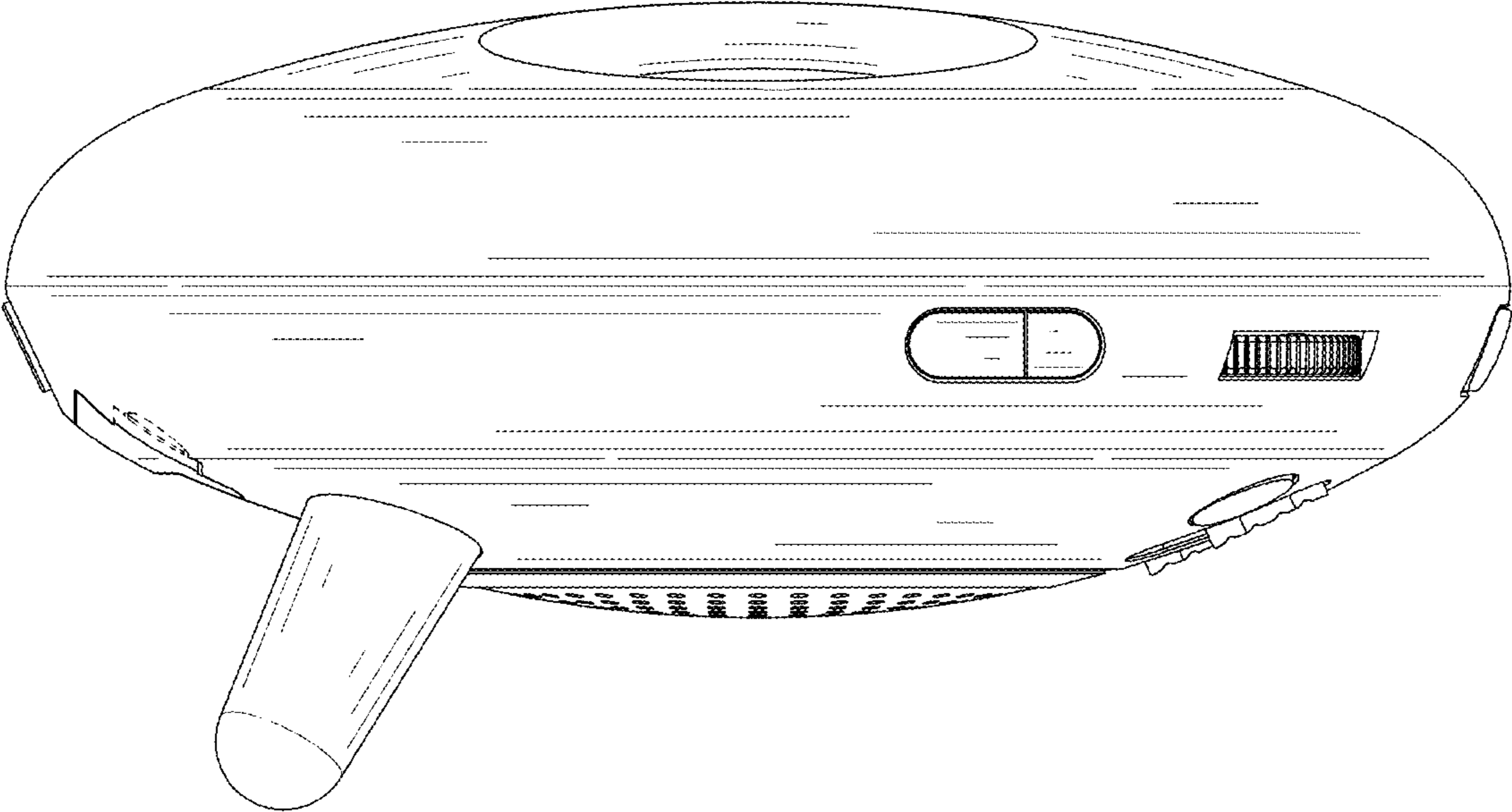


FIG. 3

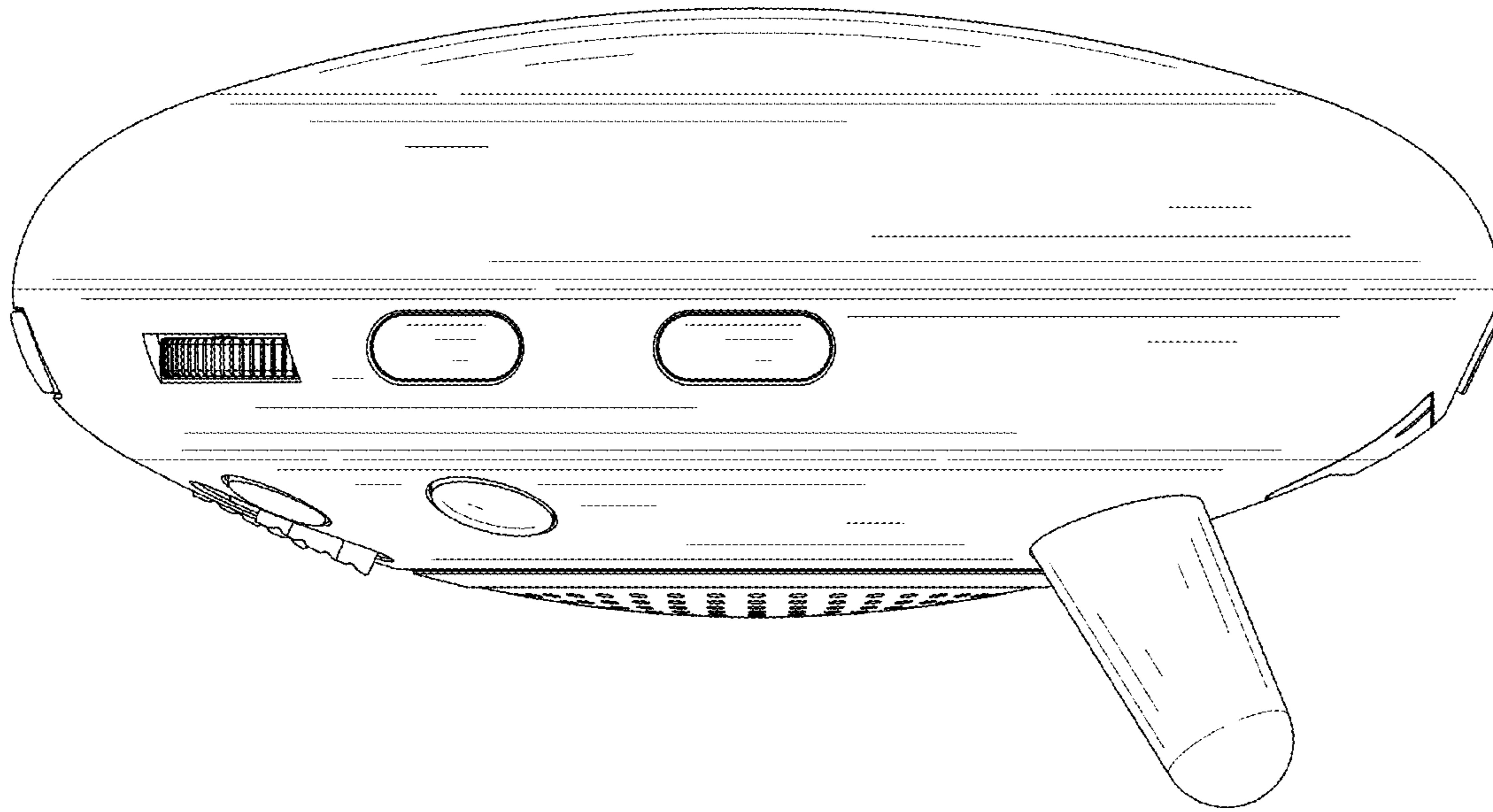


FIG. 4

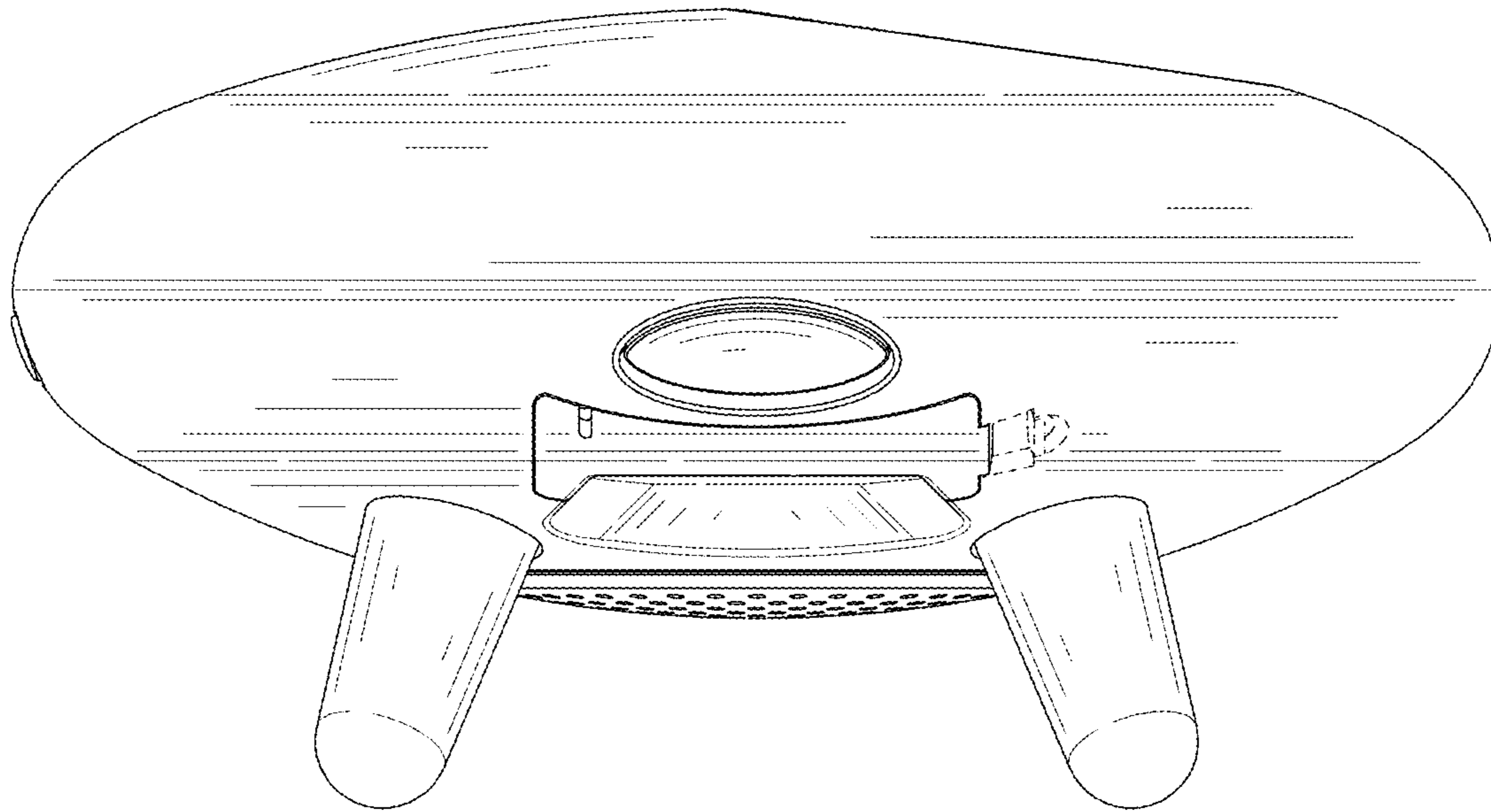


FIG. 5

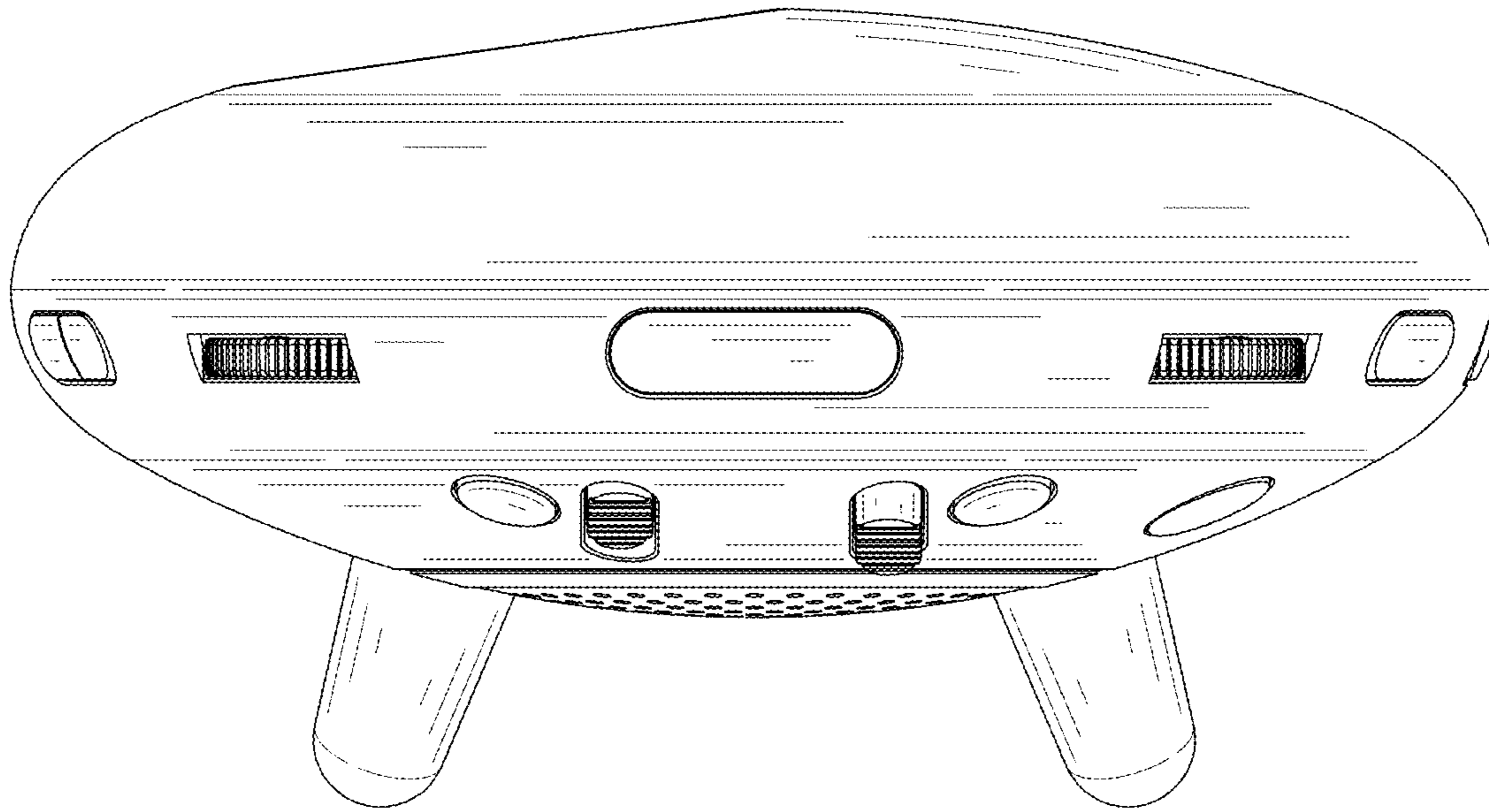


FIG. 6

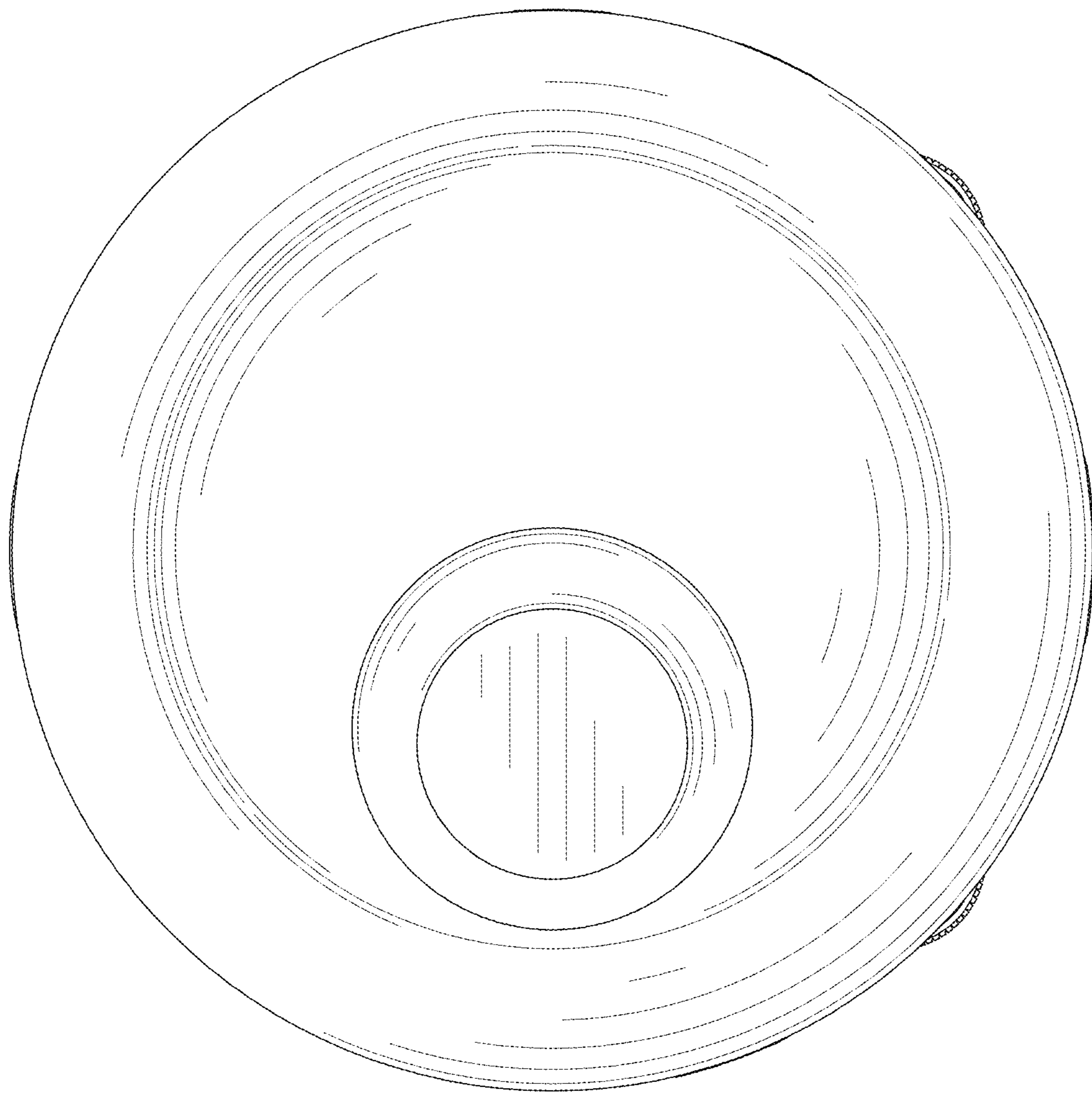


FIG. 7

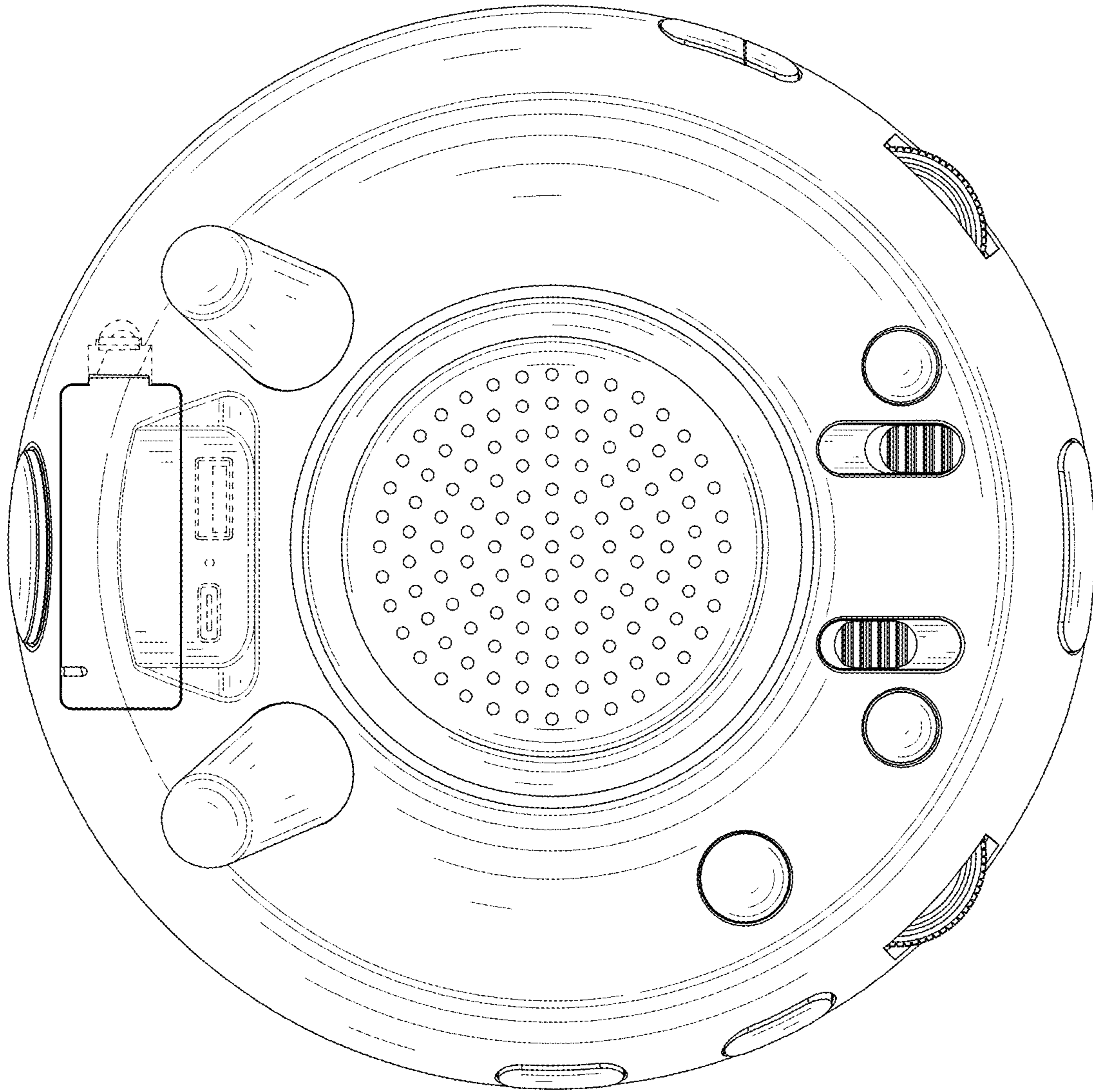


FIG. 8