



US00D935327S

(12) **United States Design Patent**
Madsen et al.

(10) **Patent No.:** **US D935,327 S**

(45) **Date of Patent:** **** Nov. 9, 2021**

- (54) **WIPER BUCKET SYSTEM**
- (71) Applicant: **GPCP IP Holdings LLC**, Atlanta, GA (US)
- (72) Inventors: **Nickolas Everett Madsen**, Atlanta, GA (US); **Jose Olavo Martins F. Salles**, Pulaski, WI (US); **Kip Kevin Decker**, Neenah, WI (US); **Matthew Keith Florian Williquette**, Appleton, WI (US)
- (73) Assignee: **GPCP IP Holdings LLC**, Atlanta, GA (US)

4,524,882 A * 6/1985 Buc B44D 3/127
220/783

4,530,442 A * 7/1985 Vogel, Jr. B29C 66/612
220/644

4,574,974 A * 3/1986 von Holdt B65D 1/46
220/782

5,096,083 A * 3/1992 Shaw B65D 21/0233
206/519

D326,203 S 5/1992 Butler

D327,798 S 7/1992 Addison et al.

D329,312 S * 9/1992 Ross D32/37

D329,597 S * 9/1992 Gallagher D9/454

D338,367 S 8/1993 Fonville

D348,129 S * 6/1994 Wolff D32/37

D350,688 S * 9/1994 Wardell, Jr. D9/435

(Continued)

(**) Term: **15 Years**

(21) Appl. No.: **29/701,243**

(22) Filed: **Aug. 9, 2019**

(51) **LOC (13) Cl.** **09-01**

(52) **U.S. Cl.**
USPC **D9/734**

(58) **Field of Classification Search**
USPC D3/276, 301, 318; D7/391; D9/420,
D9/424, 435, 443, 449, 454; D14/189;
D22/136; D32/37, 53, 54
CPC B65D 43/0212; B65D 43/169; B65D
45/345; B65D 25/32; B65D 1/16; B65D
43/0256; B65D 21/0233; B65D 1/46;
B65D 21/0222; B65D 7/06; B65D 85/00;
B44D 3/128; B44D 3/127; B29C 66/612;
B29C 45/4435
See application file for complete search history.

(56) **References Cited**

U.S. PATENT DOCUMENTS

- 3,999,677 A * 12/1976 Oberkircher B29C 45/4435
220/266
- 4,210,258 A * 7/1980 von Holdt B65D 21/0222
206/508

OTHER PUBLICATIONS

Load buckets https://www.yeti.com/en_US/buckets (Year: 2021).*
(Continued)

Primary Examiner — Michelle E. Wilson
Assistant Examiner — Richard E. Yenchesky

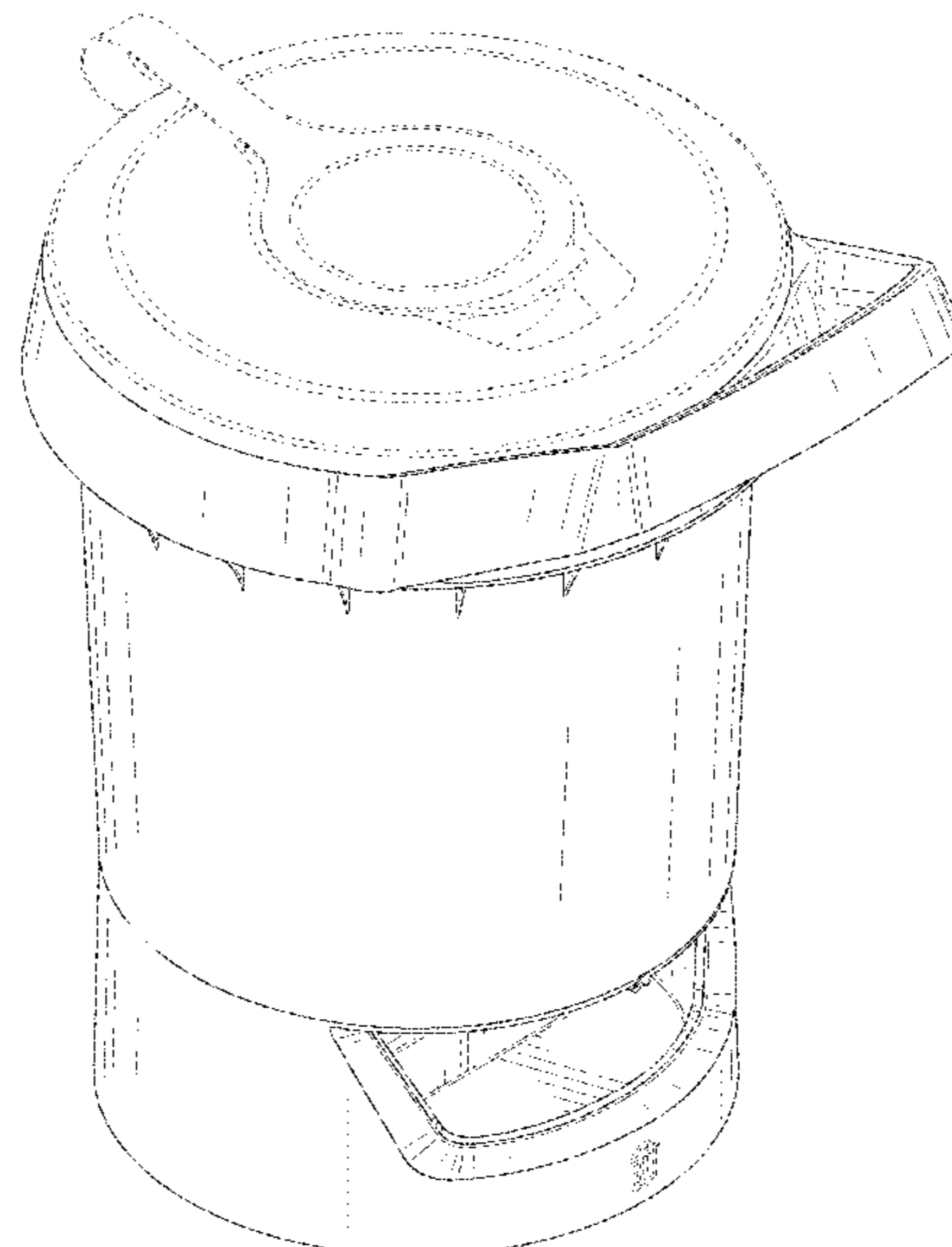
(57) **CLAIM**

The ornamental design for a wiper bucket system, as shown and described.

DESCRIPTION

FIG. 1 is a perspective view of a wiper bucket system showing our new design;
FIG. 2 is a back view thereof;
FIG. 3 is a front view thereof;
FIG. 4 is a right side view thereof;
FIG. 5 is a left side view thereof;
FIG. 6 is a top plan view thereof; and,
FIG. 7 is a bottom plan view thereof.
The broken lines shown in the figures are included for the purpose of illustration and form no part of the claimed design.

1 Claim, 7 Drawing Sheets



(56)

References Cited

U.S. PATENT DOCUMENTS

D373,865 S * 9/1996 Wells D32/54
 D377,902 S 2/1997 Marucci
 5,730,309 A * 3/1998 Jiradejnunt B65D 43/0256
 220/276
 D402,986 S * 12/1998 Doak D14/189
 D425,600 S * 5/2000 Pas D22/136
 6,607,514 B2 8/2003 Reese
 D480,916 S 10/2003 Norris et al.
 D489,611 S * 5/2004 Monsanty D32/54
 D503,534 S * 4/2005 Dong D3/276
 6,880,716 B2 * 4/2005 Gottainer B65D 43/0212
 215/302
 D504,794 S 5/2005 Sellars
 D506,608 S * 6/2005 Dong B65D 25/32
 D3/276
 D522,780 S 6/2006 Sellars
 D522,796 S 6/2006 Teh-hsiung
 D526,481 S * 8/2006 Dong D3/276
 D529,400 S 10/2006 Sellars
 D530,224 S 10/2006 Mattesky
 D558,419 S * 12/2007 Zychlinski D32/53
 7,475,788 B2 * 1/2009 Schwarz B65D 43/169
 220/276
 D589,820 S 4/2009 Paal et al.
 D590,561 S * 4/2009 Baltz D32/53
 D608,066 S * 1/2010 Pearl D32/53
 D643,750 S 8/2011 Dietvorst
 D649,726 S * 11/2011 Manuel D32/53
 D659,333 S * 5/2012 Morris, Jr. D32/54
 D660,060 S 5/2012 Slosman
 8,181,819 B2 * 5/2012 Burney B65D 43/0212
 220/792
 D665,272 S 8/2012 Dietvorst
 8,596,492 B2 * 12/2013 Lown B65D 43/0212
 220/787
 D697,173 S 1/2014 Bradford et al.
 D701,700 S * 4/2014 Abdi D3/318
 D716,011 S * 10/2014 Jackson D32/53
 D716,012 S * 10/2014 Jackson D32/54
 8,863,983 B2 * 10/2014 Meers B65D 43/0256
 220/792

D729,480 S * 5/2015 Silkaitis D32/53
 D729,481 S * 5/2015 Silkaitis D32/53
 D767,227 S * 9/2016 Del Rosario Roy D32/53
 D778,083 S 2/2017 Abbott
 D778,519 S * 2/2017 Luburic D32/53
 D784,809 S * 4/2017 Liming D9/443
 D784,811 S * 4/2017 Scevola D9/454
 D793,518 S * 8/2017 Ramczyk D22/136
 D810,567 S * 2/2018 Brovar D9/449
 D814,317 S * 4/2018 Ehrlich B65D 85/00
 D9/779
 D814,920 S * 4/2018 Georgiadis D9/420
 D845,694 S 4/2019 Liu
 D853,179 S * 7/2019 Duvigneau D7/391
 D854,878 S * 7/2019 Duvigneau D7/391
 D876,869 S 3/2020 Ha et al.
 D885,185 S * 5/2020 Hudson D9/454
 D887,266 S * 6/2020 Hudson D9/443
 D887,268 S * 6/2020 Rhea D9/449
 D890,459 S * 7/2020 Fischer D32/54
 D894,419 S * 8/2020 Nemeth D24/224
 D901,297 S * 11/2020 Hudson D9/454
 D903,482 S * 12/2020 Drolet D9/424
 D905,432 S * 12/2020 Liu D3/301
 10,858,139 B2 * 12/2020 Eason B65D 1/16
 D915,211 S 4/2021 Green et al.
 2006/0163252 A1 * 7/2006 Zalewski B44D 3/128
 220/254.3
 2007/0205196 A1 * 9/2007 Burney B65D 43/0212
 220/276
 2014/0217096 A1 * 8/2014 Simpson B65D 43/0212
 220/212.5
 2016/0280423 A1 * 9/2016 Luburic B65D 7/06
 2016/0311584 A1 * 10/2016 Van Oosten B65D 45/345

OTHER PUBLICATIONS

Screw top pail <https://www.uline.com/Product/Detail/S-20029W/Pails/Screw-Top-Pail-0-6-Gallon-White-Lid> (Year: 2021).*
 Non-final office action received for U.S. Appl. No. 29/761,394, dated May 19, 2021, 7 pages.

* cited by examiner

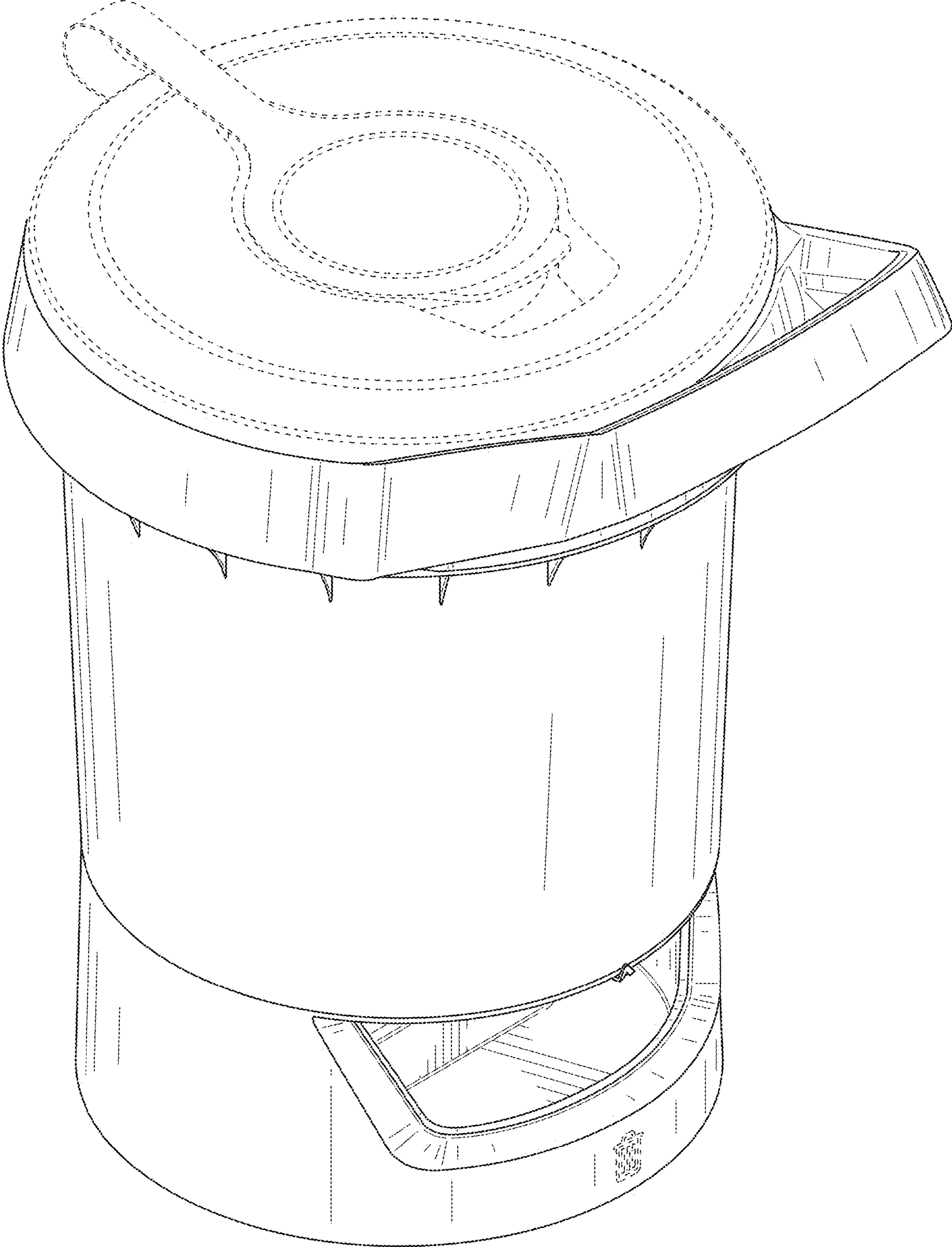


FIG. 1

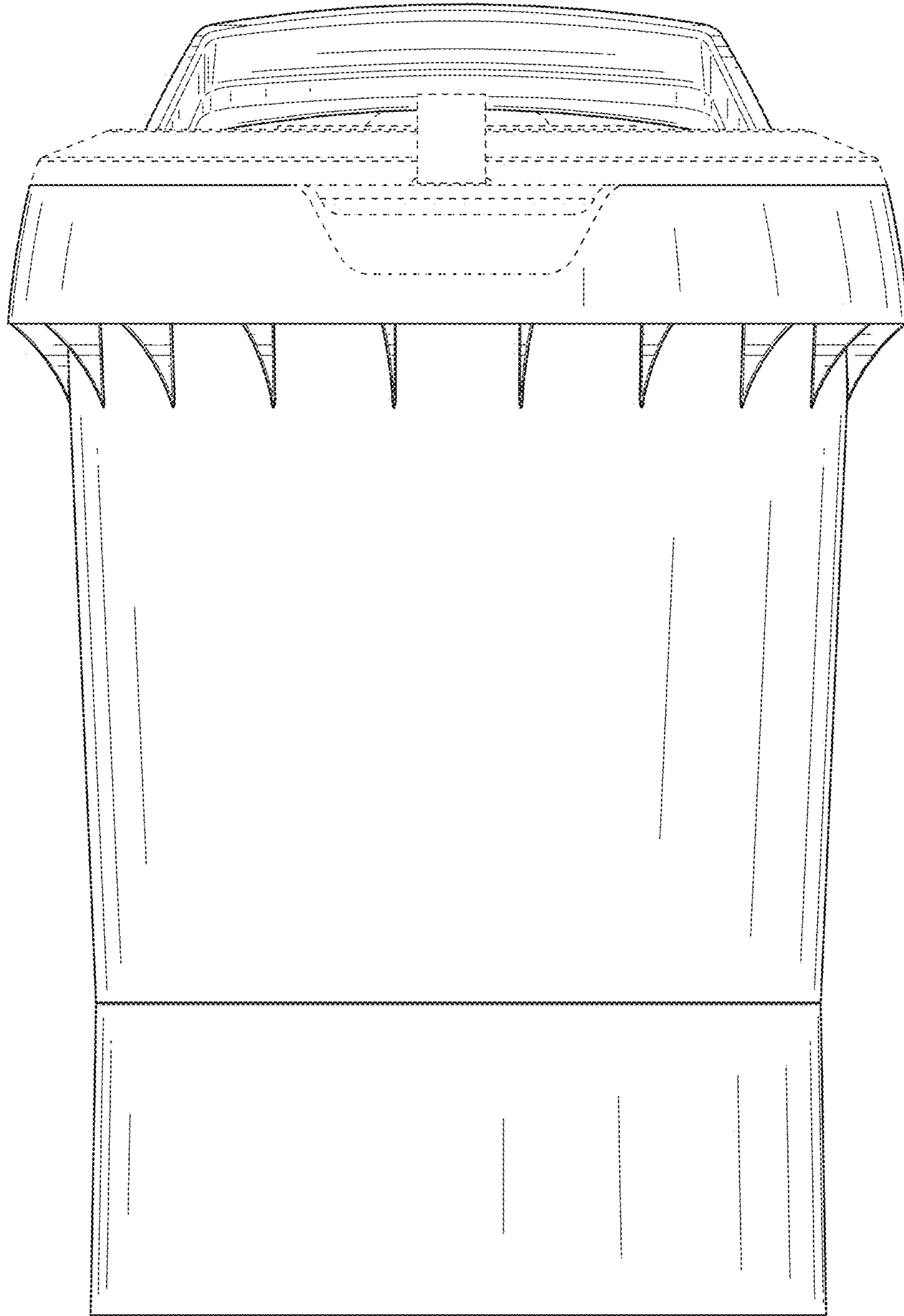


FIG. 2

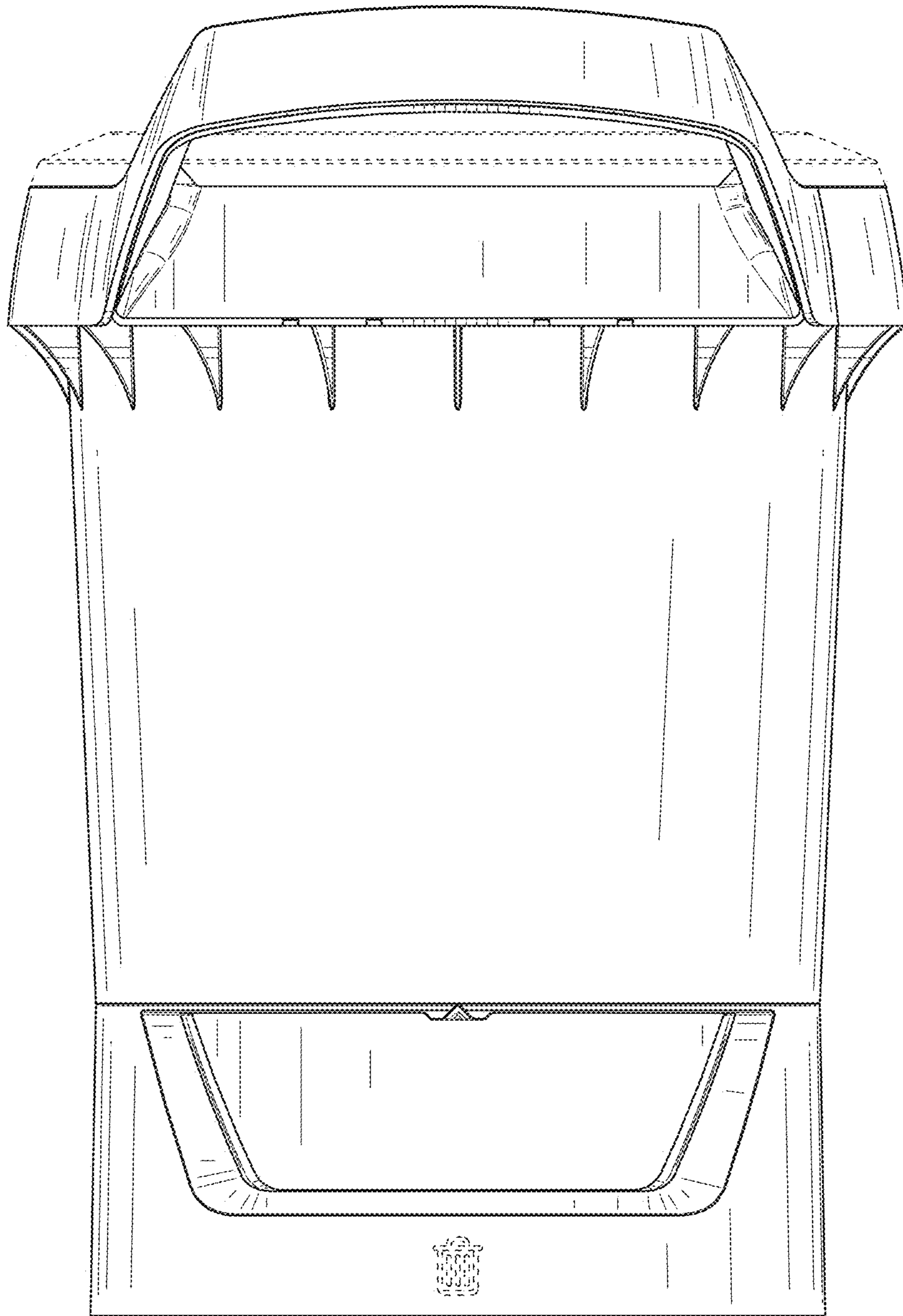


FIG. 3

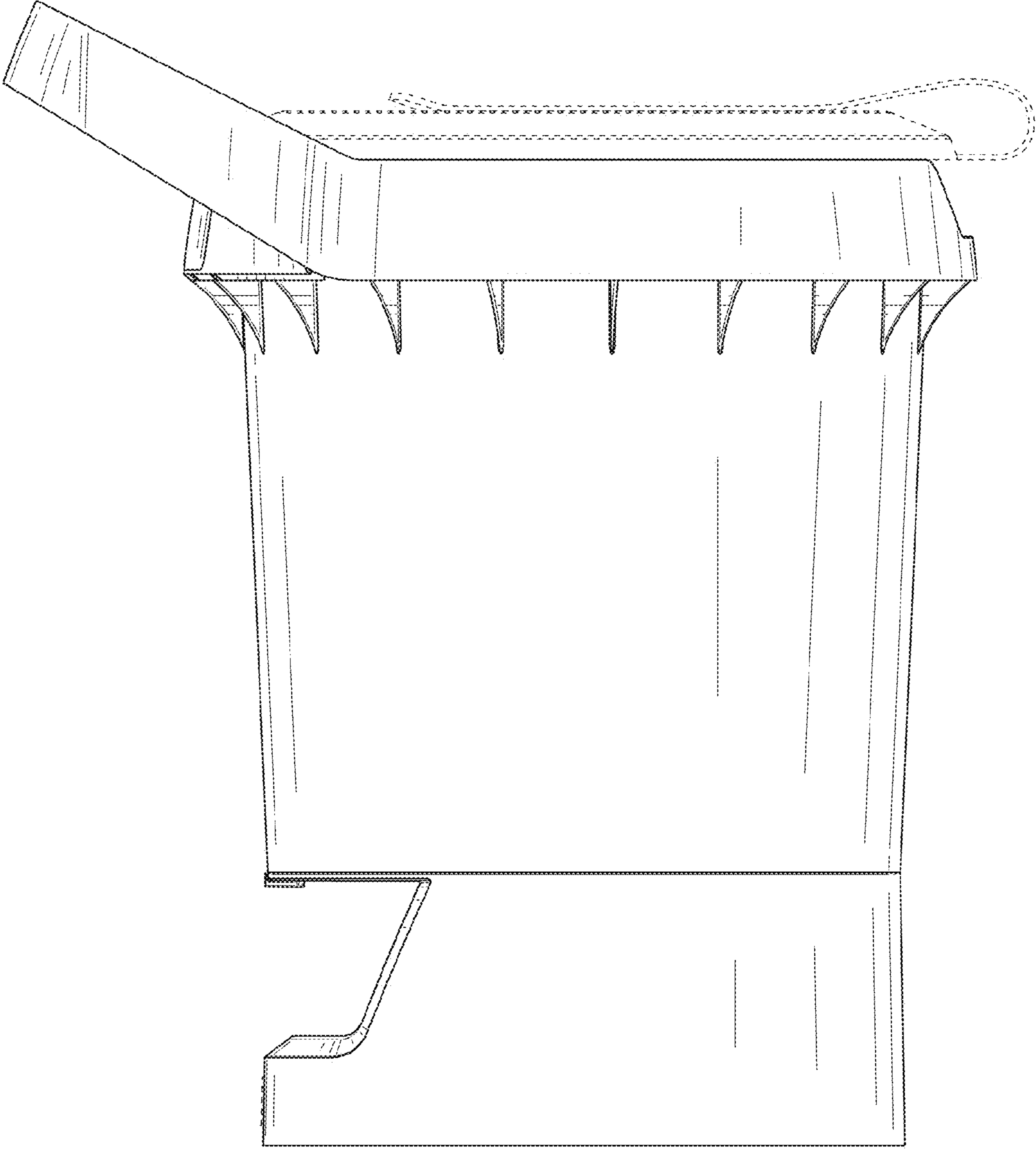


FIG. 4

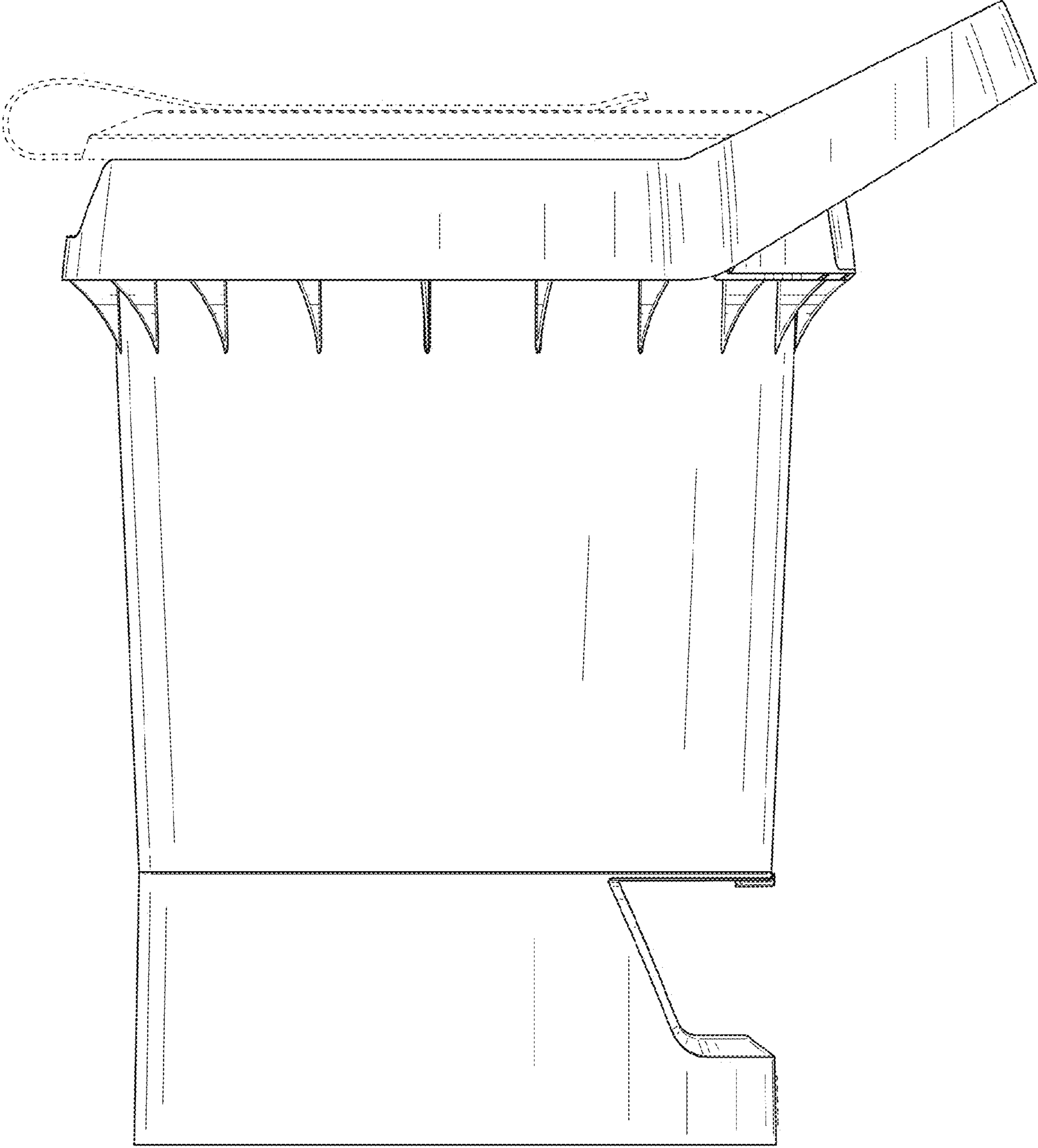


FIG. 5

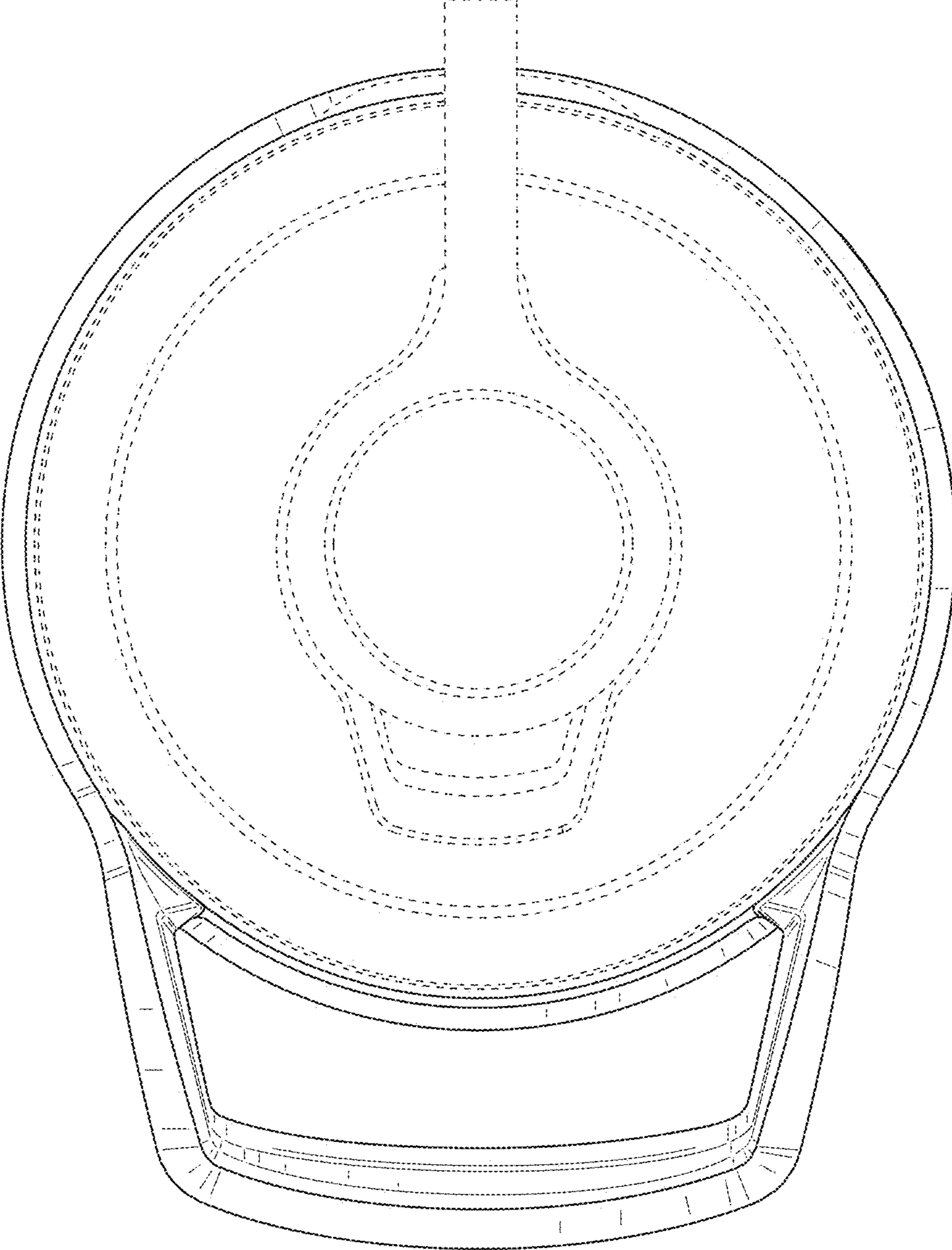


FIG. 6

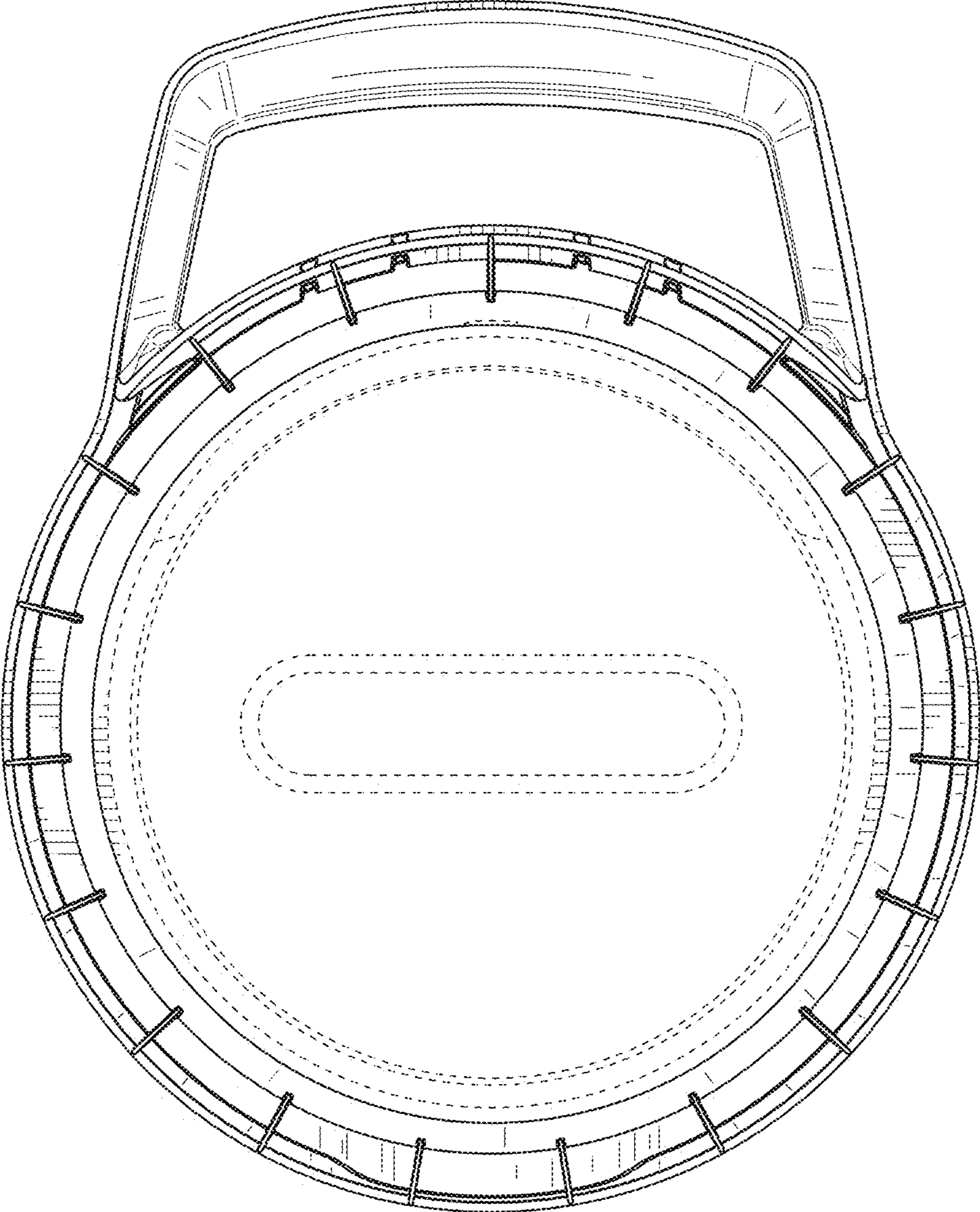


FIG. 7