



US00D935325S

(12) **United States Design Patent** (10) **Patent No.:** **US D935,325 S**
Kato (45) **Date of Patent:** **** Nov. 9, 2021**

(54) **BOTTLE**
(71) Applicant: **Rock 13 LLC**, Miami Beach, FL (US)
(72) Inventor: **Thomas Kato**, Miami Beach, FL (US)
(73) Assignee: **ROCK 13 LLC**, Miami Beach, FL (US)

D854,936 S * 7/2019 Sanghavi D9/572
D856,810 S * 8/2019 James D9/566
D856,811 S * 8/2019 James D9/566
D856,812 S * 8/2019 James D9/566
D863,968 S * 10/2019 Miloserdova D9/546
D867,154 S * 11/2019 Sanghavi D9/560
D885,924 S * 6/2020 Sanghavi D9/559
D896,658 S * 9/2020 James D9/566
2011/0266248 A1* 11/2011 Popiel B65D 1/0223
215/316

(**) Term: **15 Years**

(21) Appl. No.: **29/719,152**
(22) Filed: **Dec. 31, 2019**
(51) **LOC (13) Cl.** **09-01**
(52) **U.S. Cl.**
USPC **D9/568; D9/574**
(58) **Field of Classification Search**
USPC D9/452, 516, 544, 546, 559, 560,
D9/563-568, 574, 715, 719; D7/598,
D7/526, 530; D28/81, 91.1
CPC .. B65D 11/10; B65D 1/18; B65D 2501/0081;
B65D 11/04; B65D 1/0223; A45D 34/00;
A47K 5/12
See application file for complete search history.

OTHER PUBLICATIONS

Tequila Label Design: Site Visited [Jun. 23, 2021]. Available from Internet URL: https://www.freelancer.com/u/jackynikola/portfolio/Tequila-label-design-4210182?w=f&ngsw-bypass=*

* cited by examiner

Primary Examiner — Catherine S Posthauer
(74) *Attorney, Agent, or Firm* — The Dobrusin Law Firm, PC

(57) **CLAIM**

The ornamental design for a bottle, as shown and described.

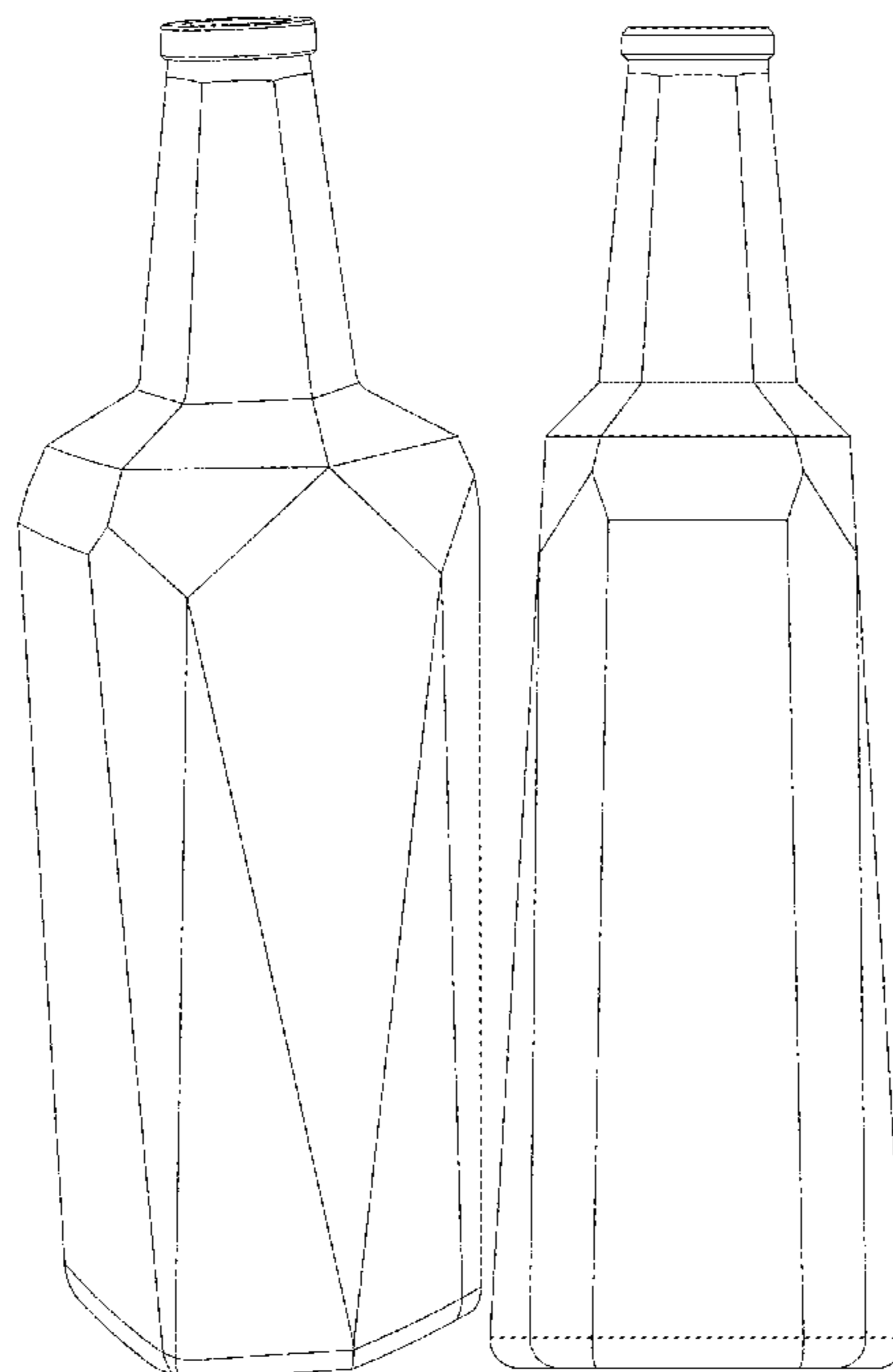
DESCRIPTION

FIG. 1 is a top side perspective view of a bottle, showing my new design;
FIG. 2 side elevation view thereof, the opposite side being a mirror image;
FIG. 3 is a top plan view thereof;
FIG. 4 is a bottom plan view thereof; and,
FIG. 5 is another side elevation view thereof, the opposite side being a mirror image.
The dot-dash lines represent the boundaries of the claim and form no part thereof.

(56) **References Cited**
U.S. PATENT DOCUMENTS

D304,298 S * 10/1989 Bannister D9/546
D322,565 S * 12/1991 Durand D9/573
D530,211 S * 10/2006 Lloyd D9/542
D544,361 S * 6/2007 Cordes D9/544
D582,777 S * 12/2008 Mansau D9/529
D694,640 S * 12/2013 Infahsaeng D9/559
D698,259 S * 1/2014 Ngjelo D9/651
D726,967 S * 4/2015 Komai D28/87
D747,972 S * 1/2016 Allan D9/682
D826,724 S * 8/2018 Staab D9/574

1 Claim, 4 Drawing Sheets



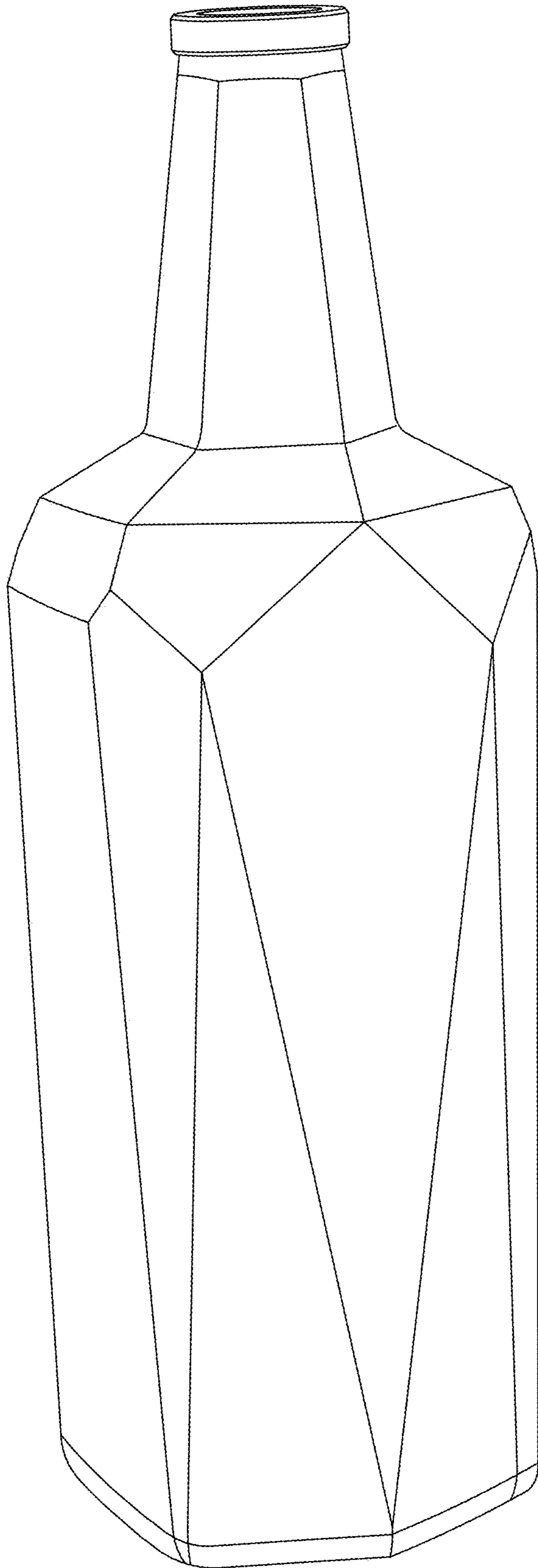


FIG. 1

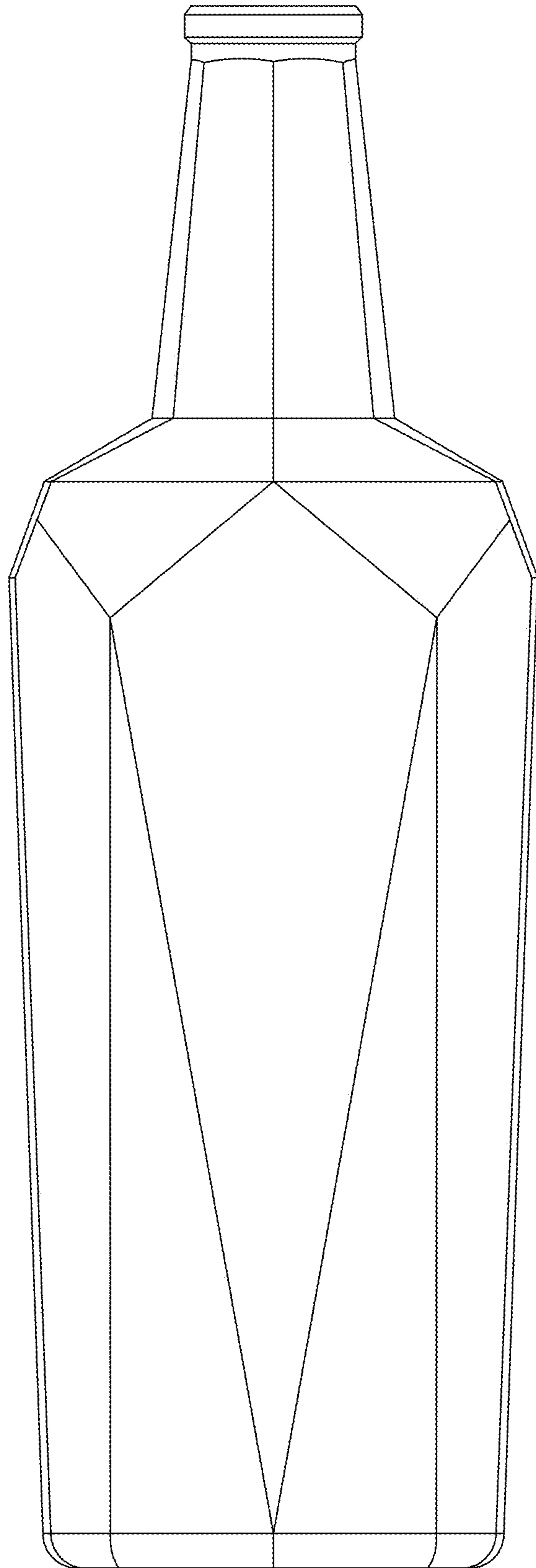


FIG. 2

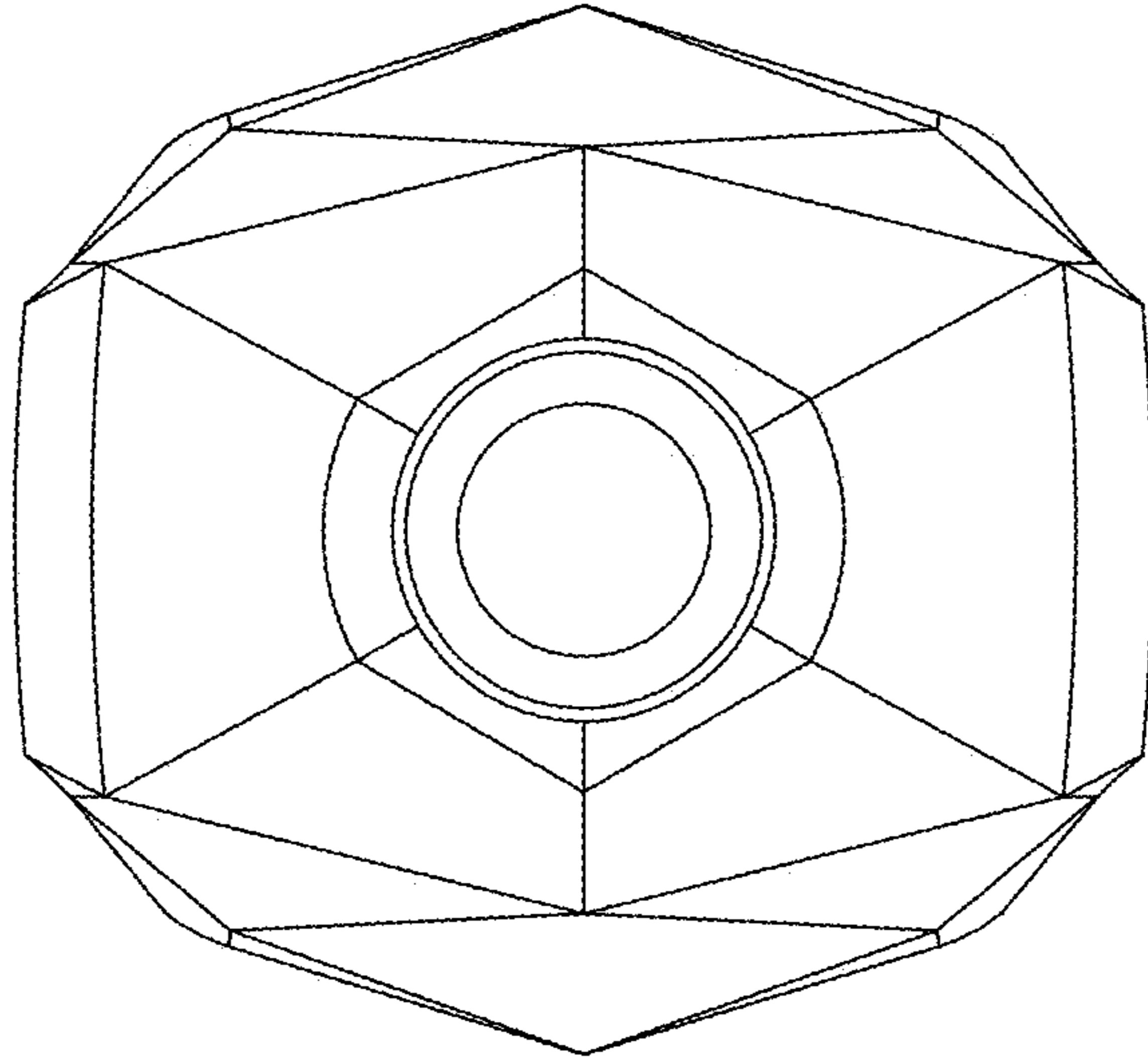


FIG.3

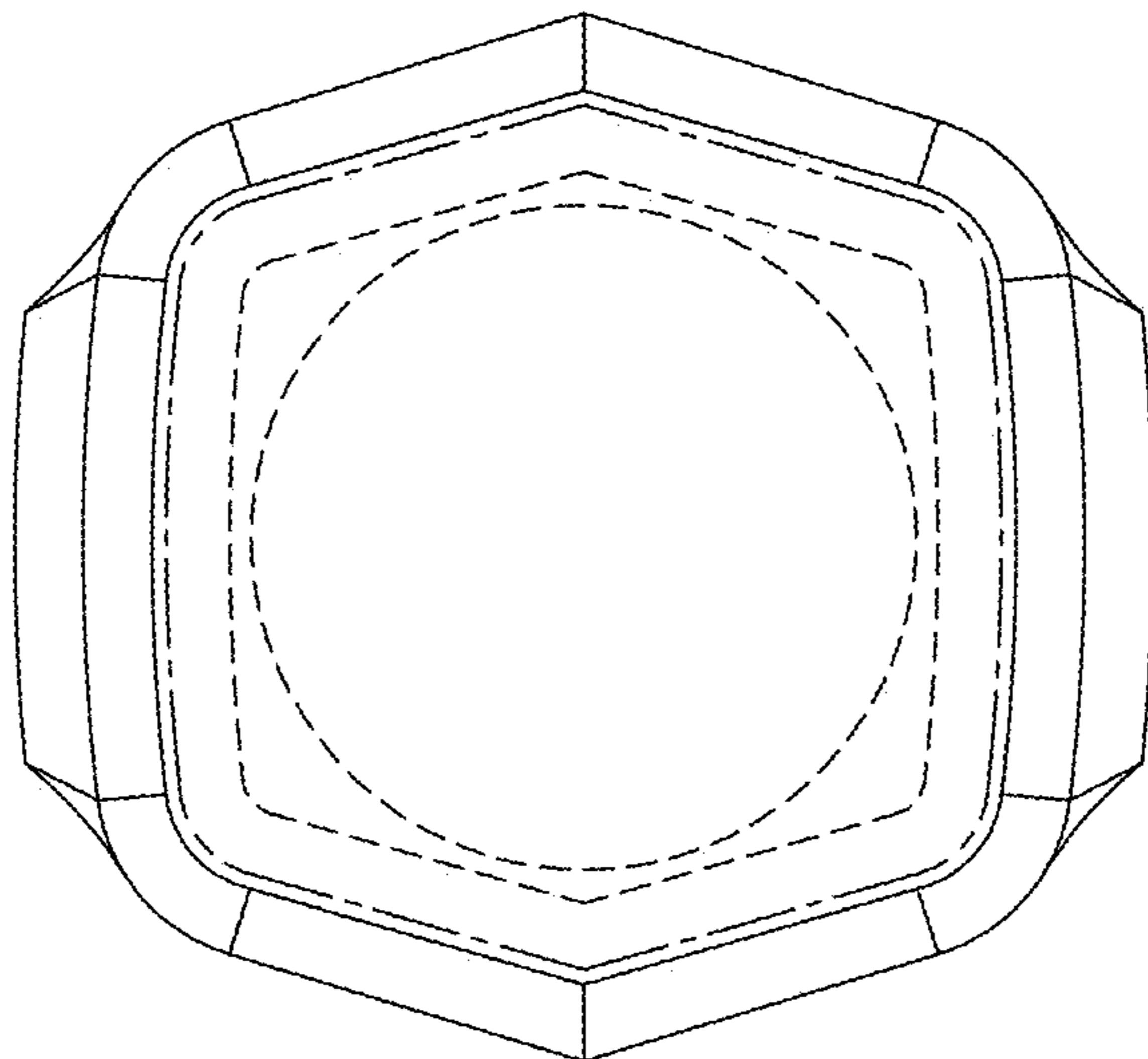


FIG.4

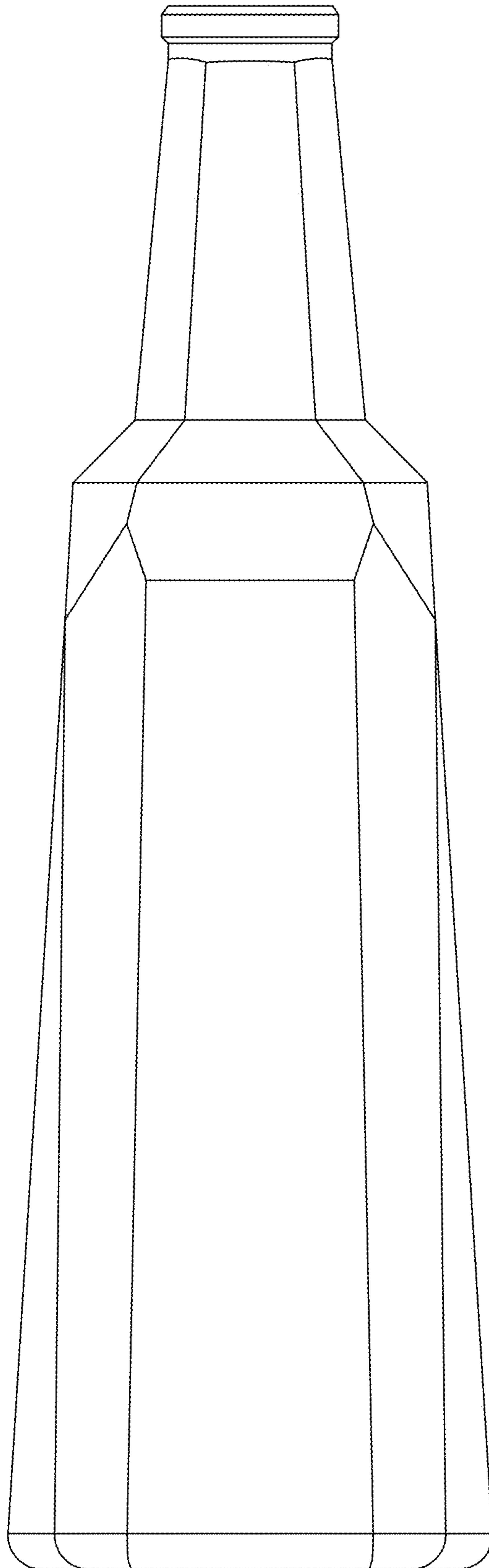


FIG. 5