



US00D935324S

(12) **United States Design Patent**
Bodum

(10) **Patent No.:** **US D935,324 S**

(45) **Date of Patent:** **** Nov. 9, 2021**

(54) **CONTAINER**

(71) Applicant: **PI-Design AG**, Triengen (CH)

(72) Inventor: **Jorgen Bodum**, Meggen (CH)

(73) Assignee: **PI-Design AG**

(**) Term: **15 Years**

(21) Appl. No.: **29/733,786**

(22) Filed: **May 6, 2020**

(30) **Foreign Application Priority Data**

Jan. 30, 2020 (WO) WIPO91630

(51) **LOC (13) Cl.** **09-01**

(52) **U.S. Cl.**
USPC **D9/560; D9/520**

(58) **Field of Classification Search**
USPC D9/434-436, 439, 454, 500, 503-505,
D9/516, 520, 549, 558, 715-716,
D9/737-738, 745

CPC B65D 1/00; B65D 1/02; B65D 1/0223;
B65D 1/10; B65D 23/00; B65D 2501/00;
B65D 2501/0009

See application file for complete search history.

(56) **References Cited**

U.S. PATENT DOCUMENTS

D269,067 S * 5/1983 Ballereaud D9/435
D532,937 S * 11/2006 Noh D28/76
D604,174 S * 11/2009 Rica D9/560

D604,630 S * 11/2009 Canamasas Puigbo D9/560
D613,177 S * 4/2010 Lee D9/560
D766,093 S * 9/2016 Otani D9/560
D799,328 S * 10/2017 Canamasas Puigbo D9/529
D816,506 S * 5/2018 Jones D9/560
D829,554 S * 10/2018 Liston D9/529
D852,050 S * 6/2019 Martone D9/560
D865,529 S * 11/2019 Tidwell D9/529
D870,560 S * 12/2019 Yoshioka D9/529
D873,142 S * 1/2020 Jones D9/516
D878,913 S * 3/2020 Castellanos D9/529

OTHER PUBLICATIONS

PI-Design AG, U.S. Appl. No. 29/733,793, filed May 6, 2020.

* cited by examiner

Primary Examiner — Dana Meyrow

(74) *Attorney, Agent, or Firm* — McDonnell Boehnen
Hulbert & Berghoff LLP

(57) **CLAIM**

The ornamental design for a container, as shown and described.

DESCRIPTION

FIG. 1 is a perspective view of a container showing my new design;

FIG. 2 is a front view thereof;

FIG. 3 is a rear view thereof;

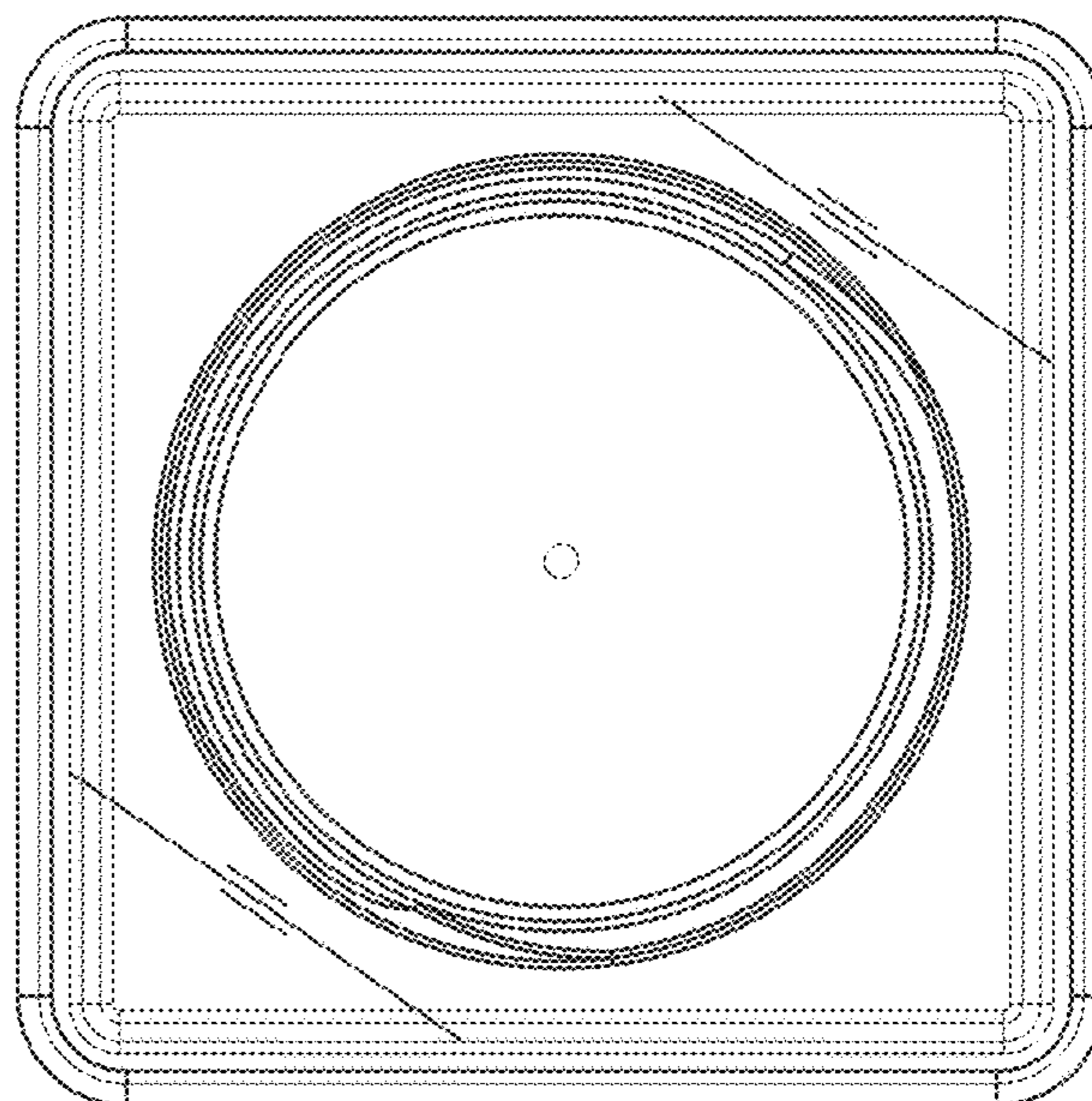
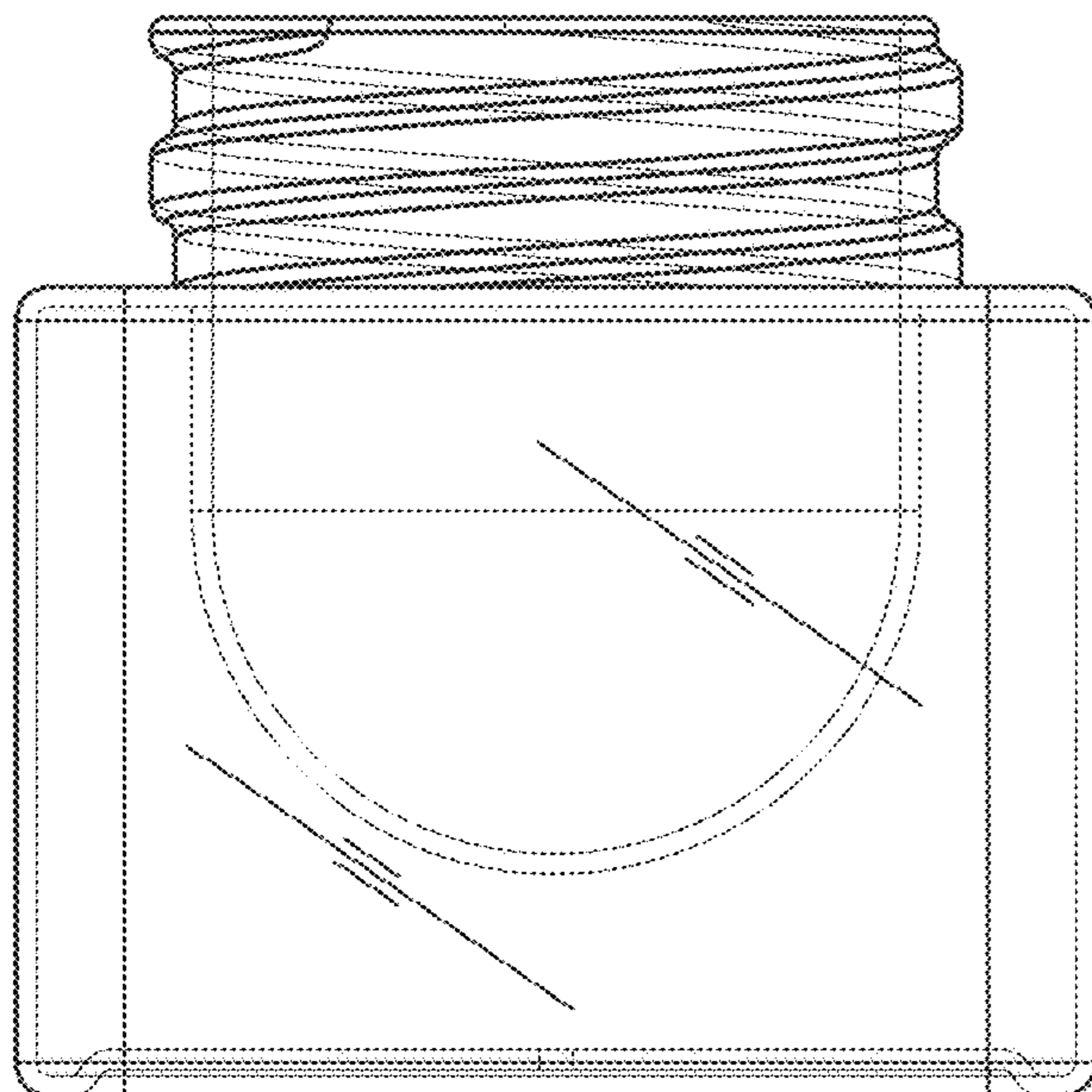
FIG. 4 is a left side view thereof;

FIG. 5 is a right side view thereof;

FIG. 6 is a top view thereof; and,

FIG. 7 is a bottom view thereof.

1 Claim, 7 Drawing Sheets



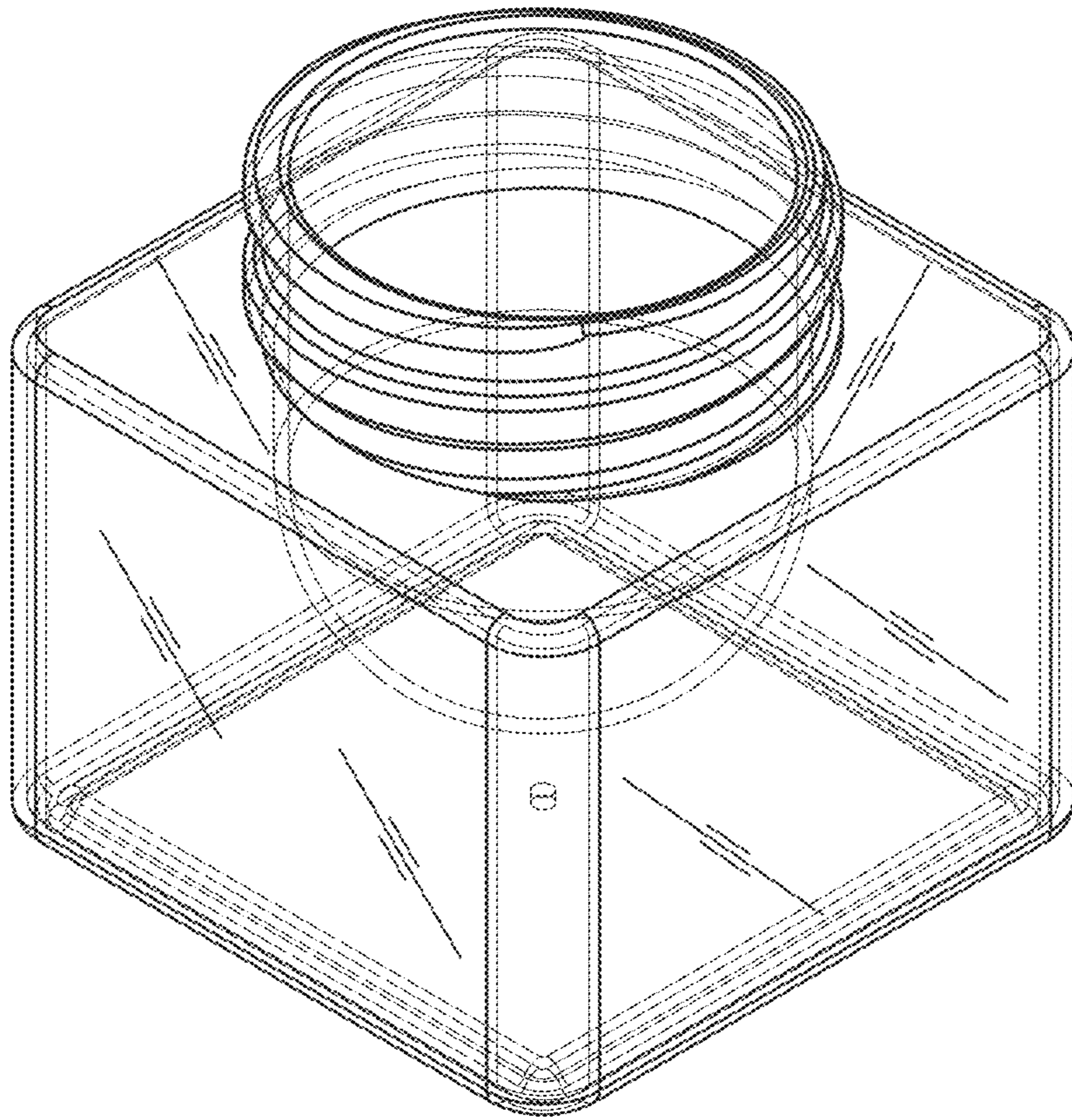


FIG. 1

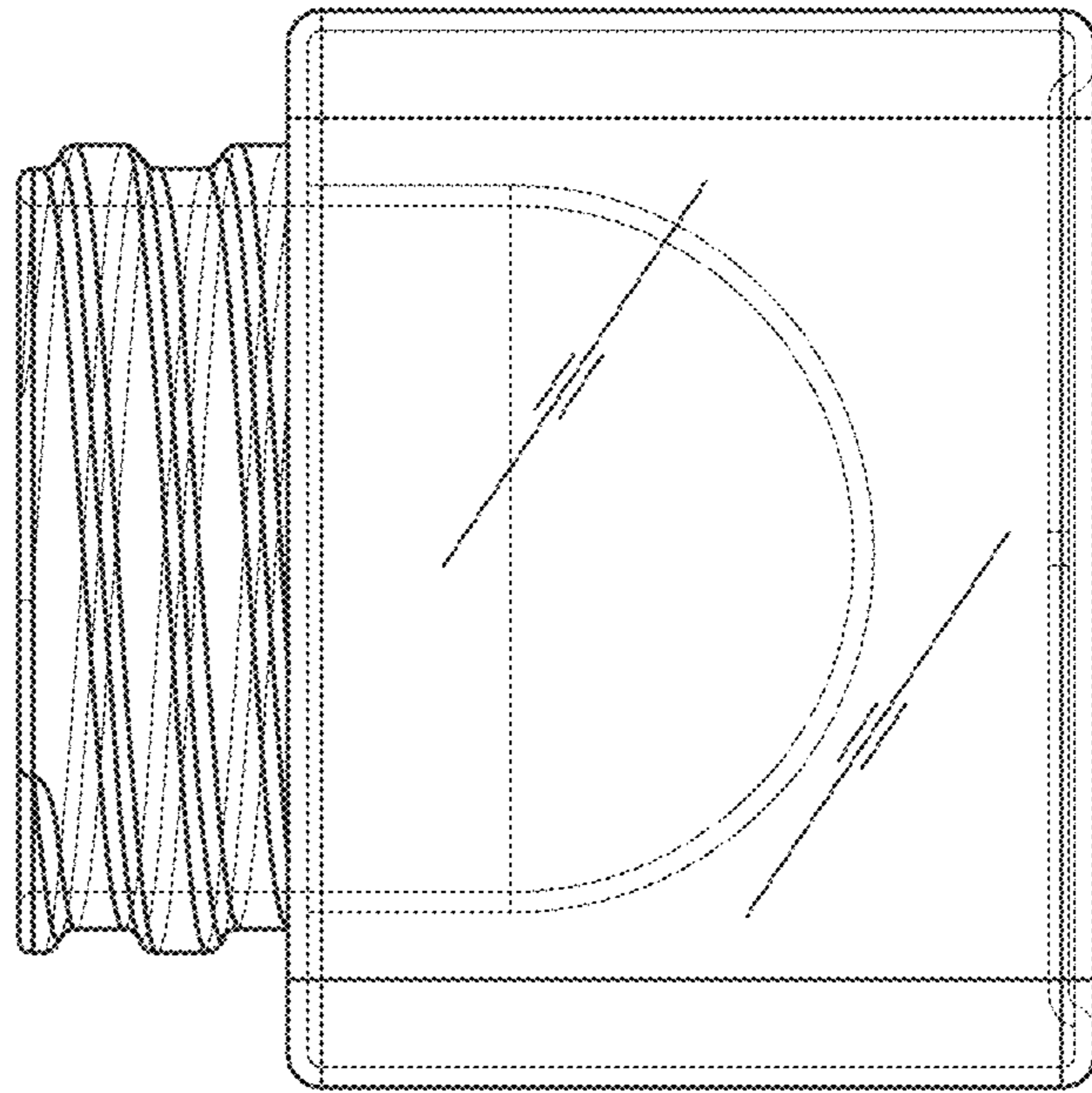


FIG. 2

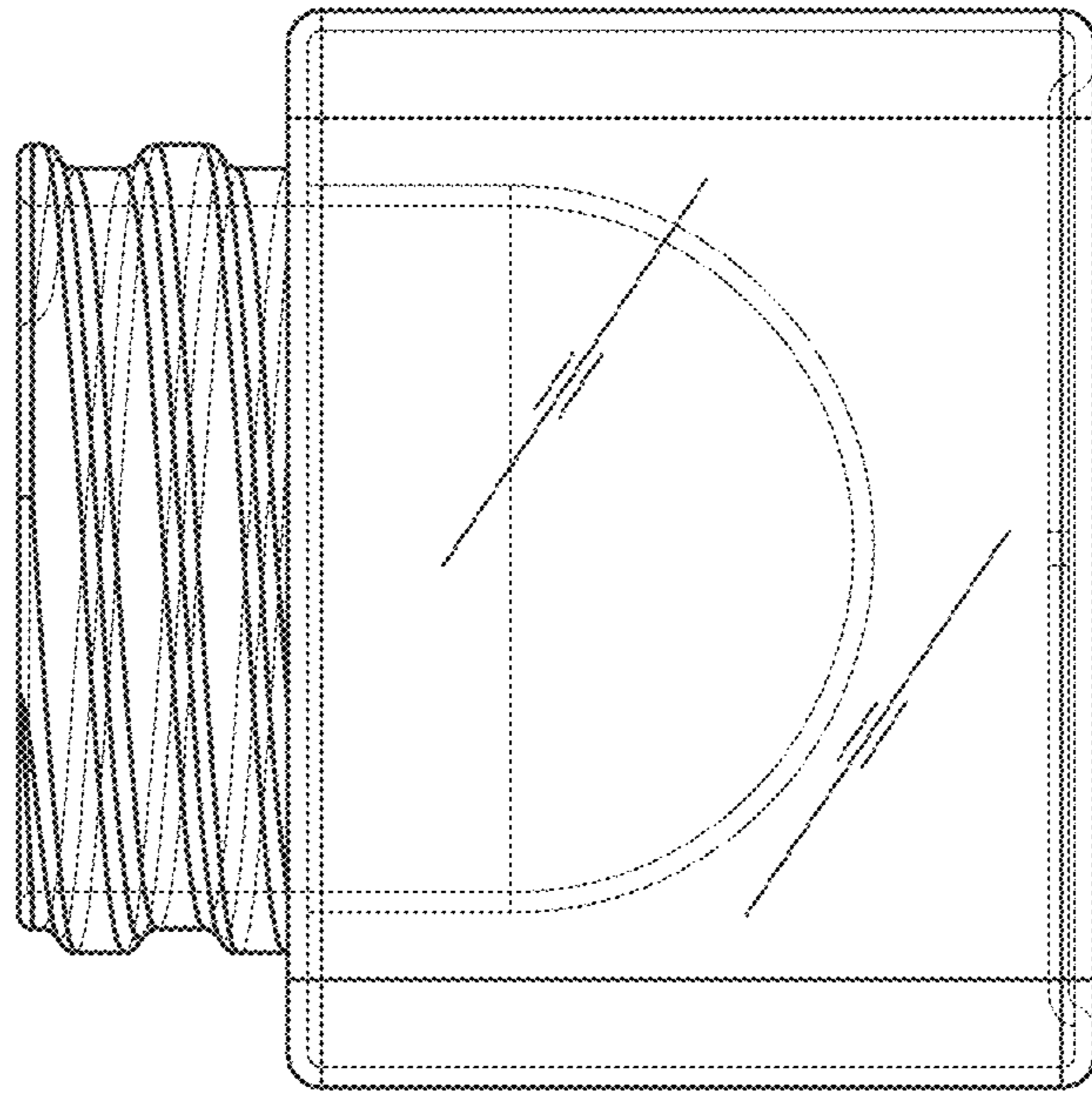


FIG. 3

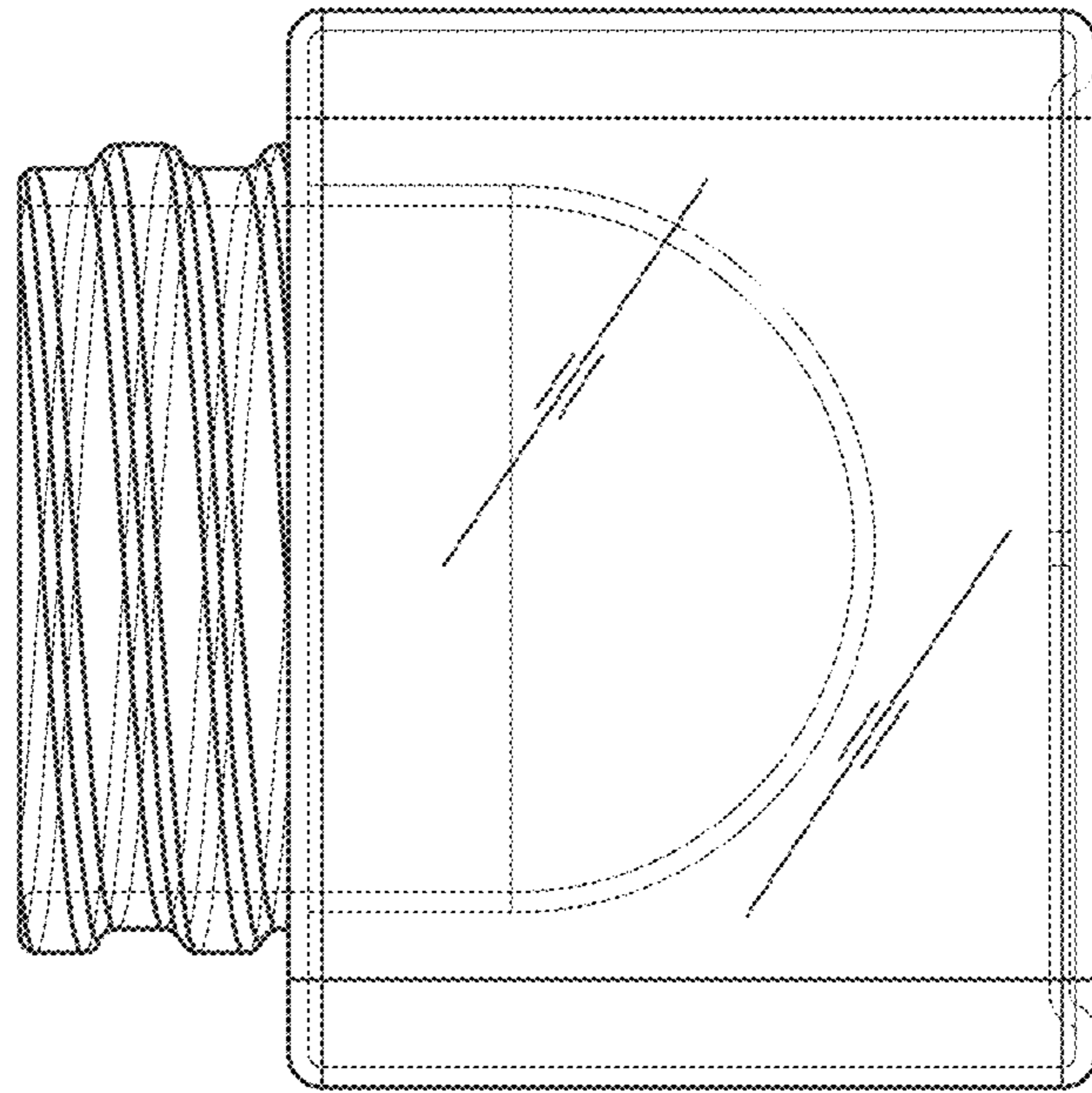


FIG. 4

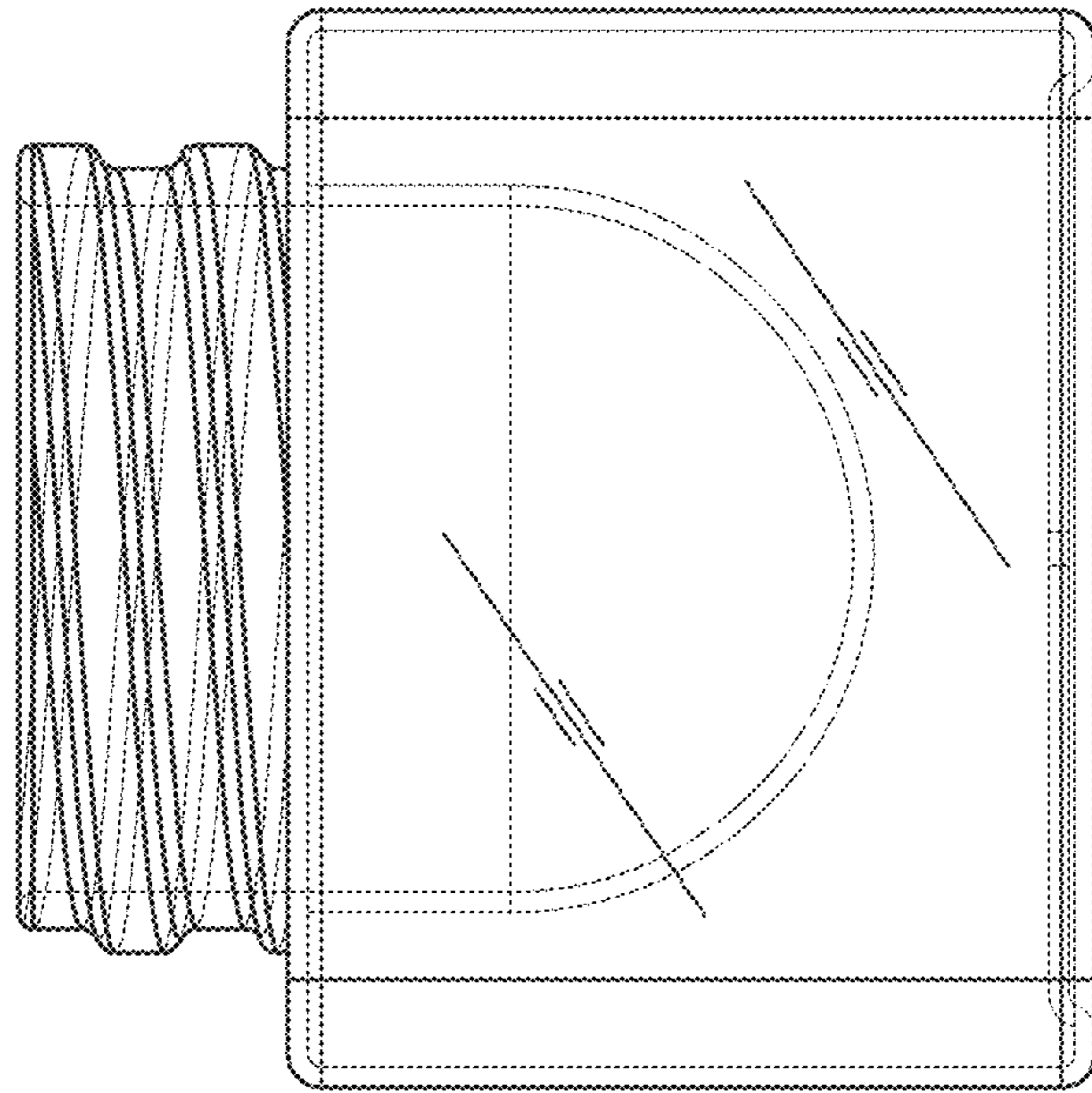


FIG. 5

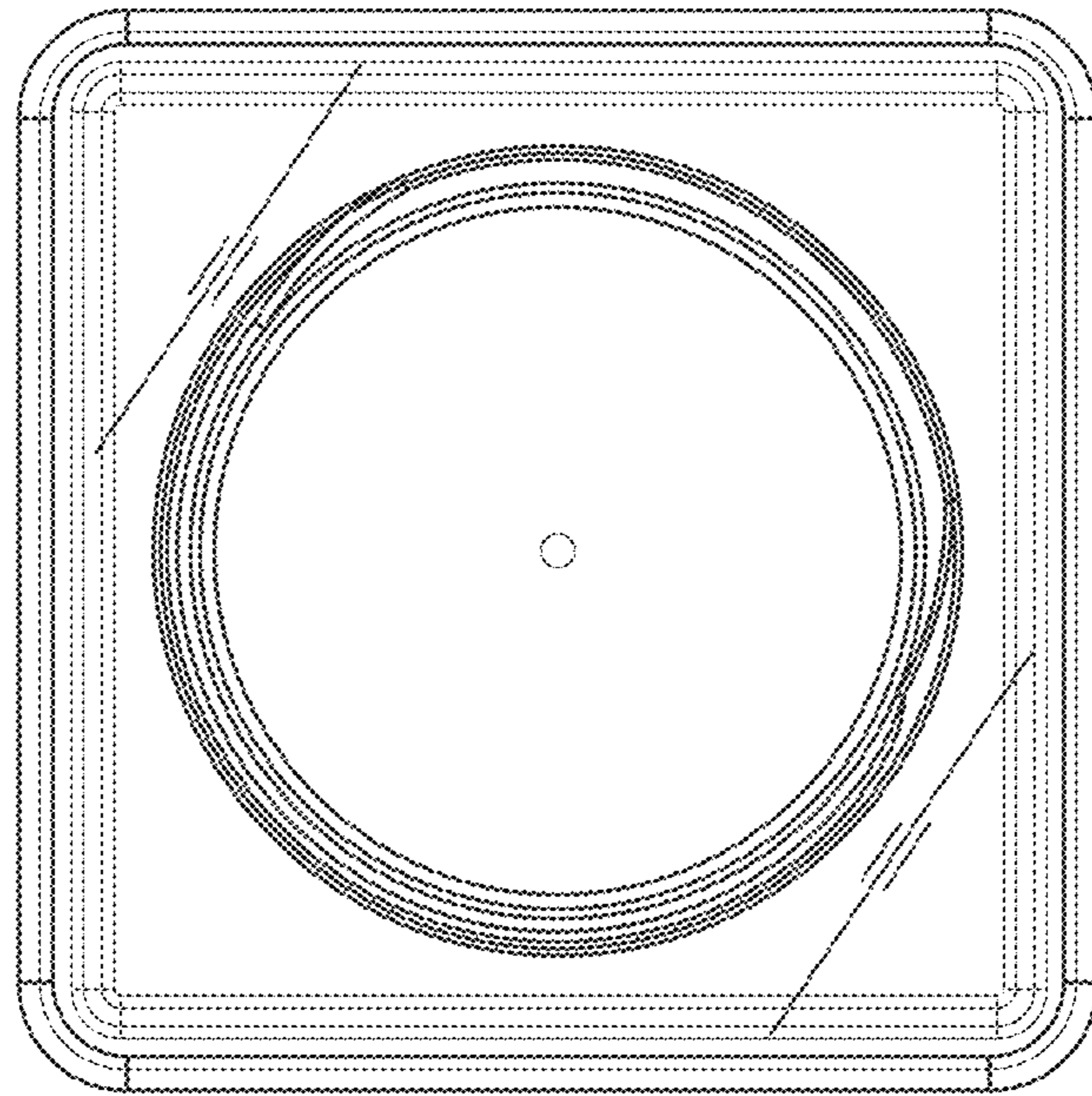


FIG. 6

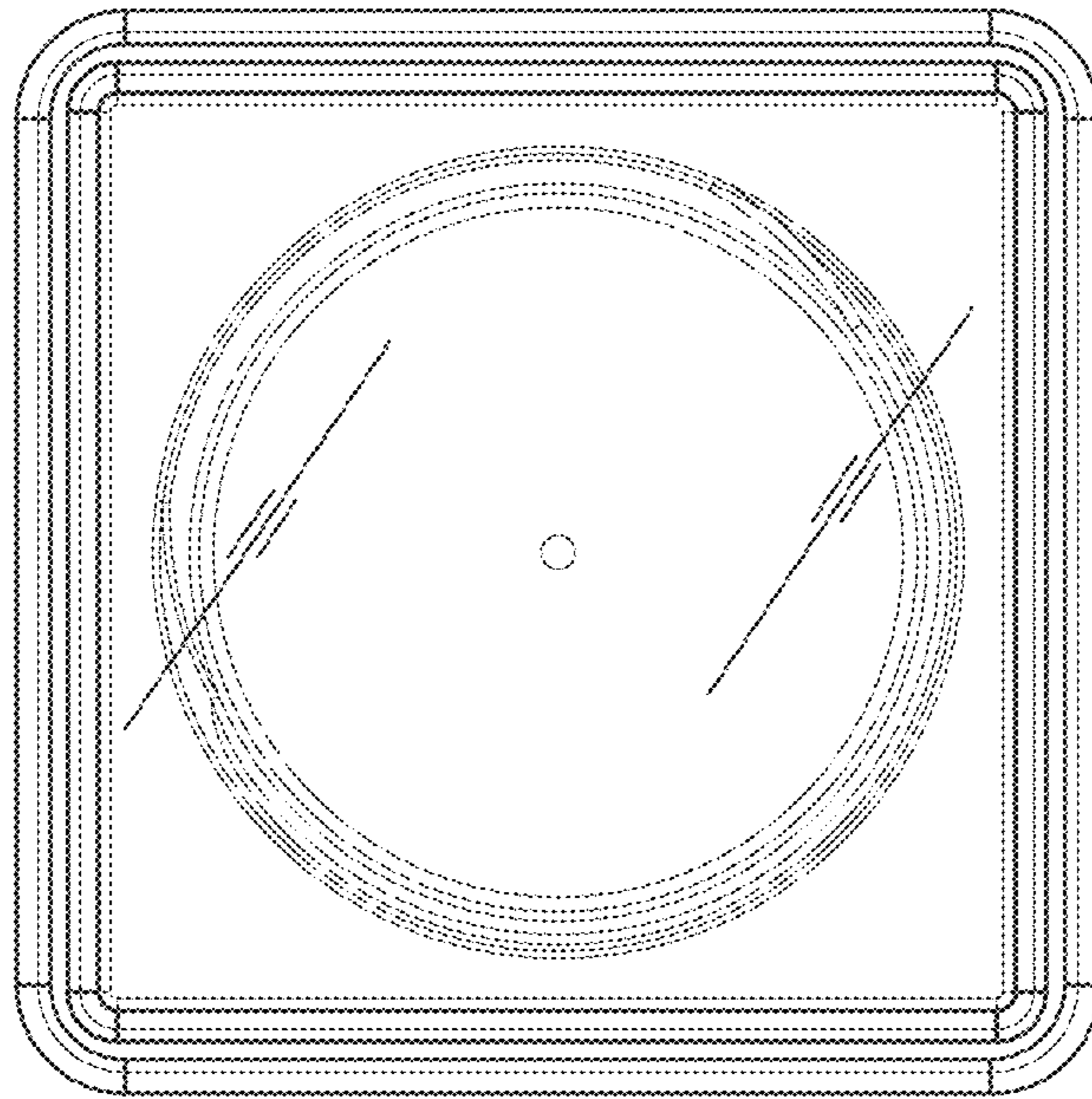


FIG. 7