



US00D935322S

(12) **United States Design Patent** (10) **Patent No.:** **US D935,322 S**
Darbyshire et al. (45) **Date of Patent:** **** Nov. 9, 2021**

(54) **BOTTLE**

(56) **References Cited**

(71) Applicant: **LEICA BIOSYSTEMS**
MELBOURNE PTY LTD, Mount
Waverly (AU)

(72) Inventors: **Paul Darbyshire**, Bentleigh (AU);
Nicolas Guiraldenq, Highett (AU);
Maxim Stanislaw Pamiet, South
Yarra (AU)

(73) Assignee: **LEICA BIOSYSTEMS**
MELBOURNE PTY LTD, Mount
Waverley (AU)

(**) Term: **15 Years**

(21) Appl. No.: **29/715,099**

(22) Filed: **Nov. 27, 2019**

(30) **Foreign Application Priority Data**

May 30, 2019 (AU) 201912961

(51) **LOC (13) Cl.** **09-01**

(52) **U.S. Cl.**
USPC **D9/527; D9/531**

(58) **Field of Classification Search**
USPC **D9/522, 523, 527, 530, 531, 535, 543,**
D9/572, 575

CPC **B65D 1/02; B65D 1/0223; B65D 1/023;**
B65D 1/0261; B65D 2501/0009; B65D
2501/0081; B65D 2501/009

See application file for complete search history.

U.S. PATENT DOCUMENTS

D351,394 S *	10/1994	Morris	D15/152
D371,967 S *	7/1996	Miller	D9/520
D373,532 S *	9/1996	Miller	D9/520
D417,233 S *	11/1999	Sabonis	D18/56
D462,621 S *	9/2002	DeKoning	D9/560
D472,155 S *	3/2003	DeKoning	D9/560
D505,076 S *	5/2005	Logan	D9/528
D623,720 S *	9/2010	Brown	D23/211.1
D670,170 S *	11/2012	Voelker	D9/528
D764,295 S *	8/2016	Gieske	D9/527
2008/0073317 A1 *	3/2008	Dyger	B65D 77/0426 215/397

* cited by examiner

Primary Examiner — Janice Patyk

(74) *Attorney, Agent, or Firm* — Sughrue Mion, PLLC

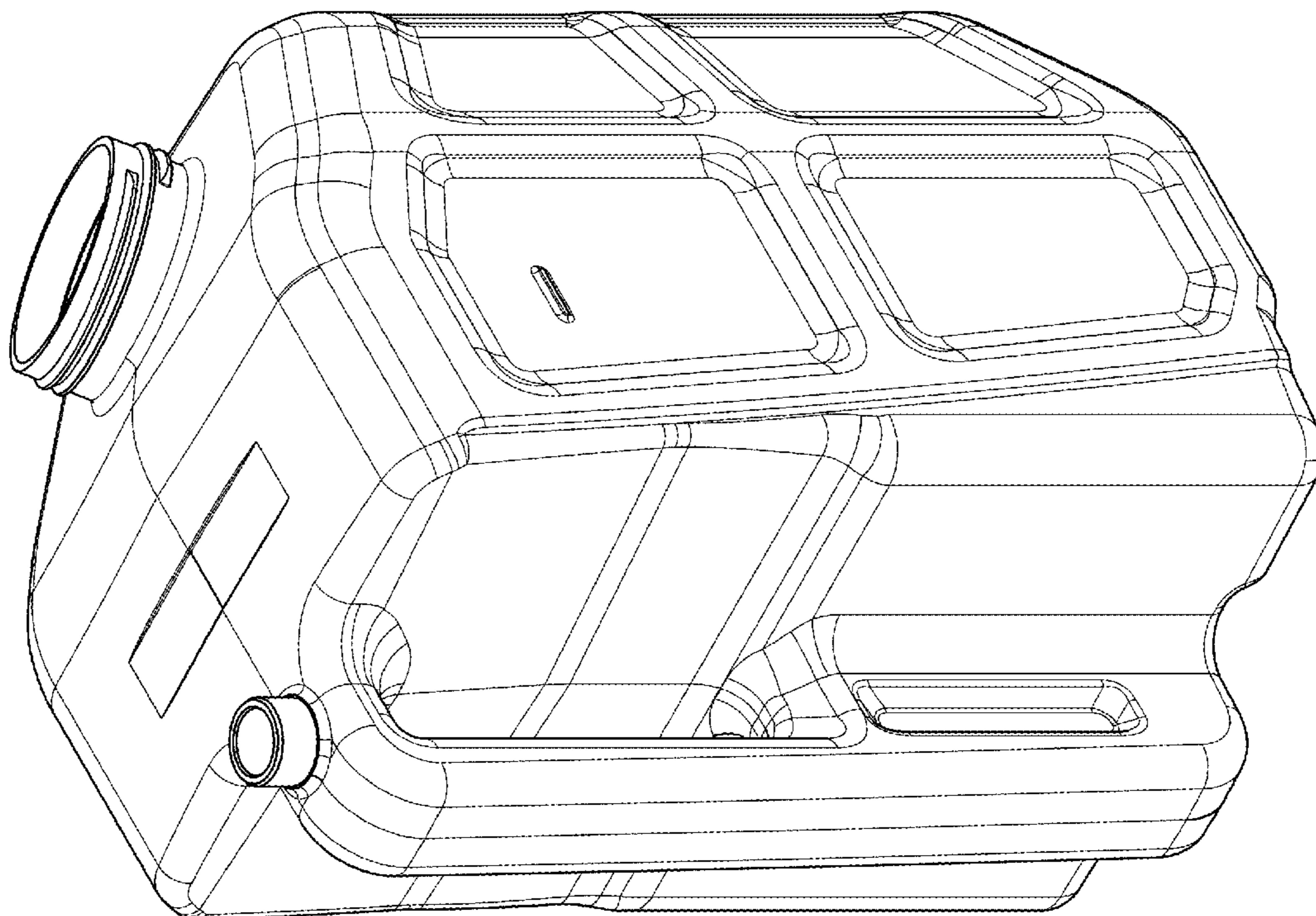
(57) **CLAIM**

The ornamental design for a bottle, as shown and described.

DESCRIPTION

FIG. 1 is a top, front right side perspective view of a bottle, showing our new design;
FIG. 2 is a left side elevational view thereof;
FIG. 3 is top plan view thereof;
FIG. 4 is a front elevational view thereof;
FIG. 5 is a bottom plan view thereof;
FIG. 6 is a right side elevation view thereof; and,
FIG. 7 is a rear elevational view thereof.
The broken lines in the figures illustrate the portions of the design that form no part of the claimed design.

1 Claim, 7 Drawing Sheets



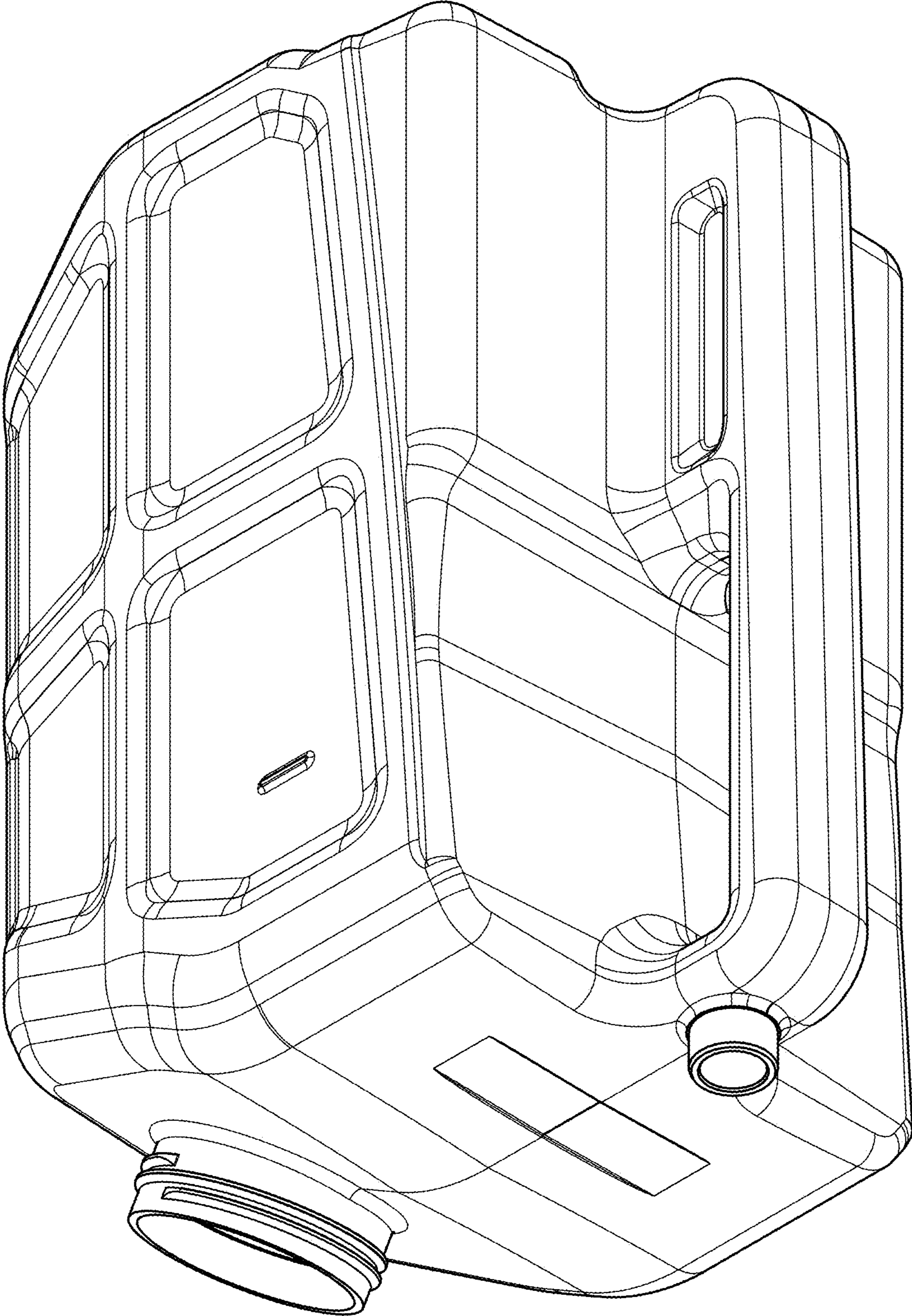


FIG. 1

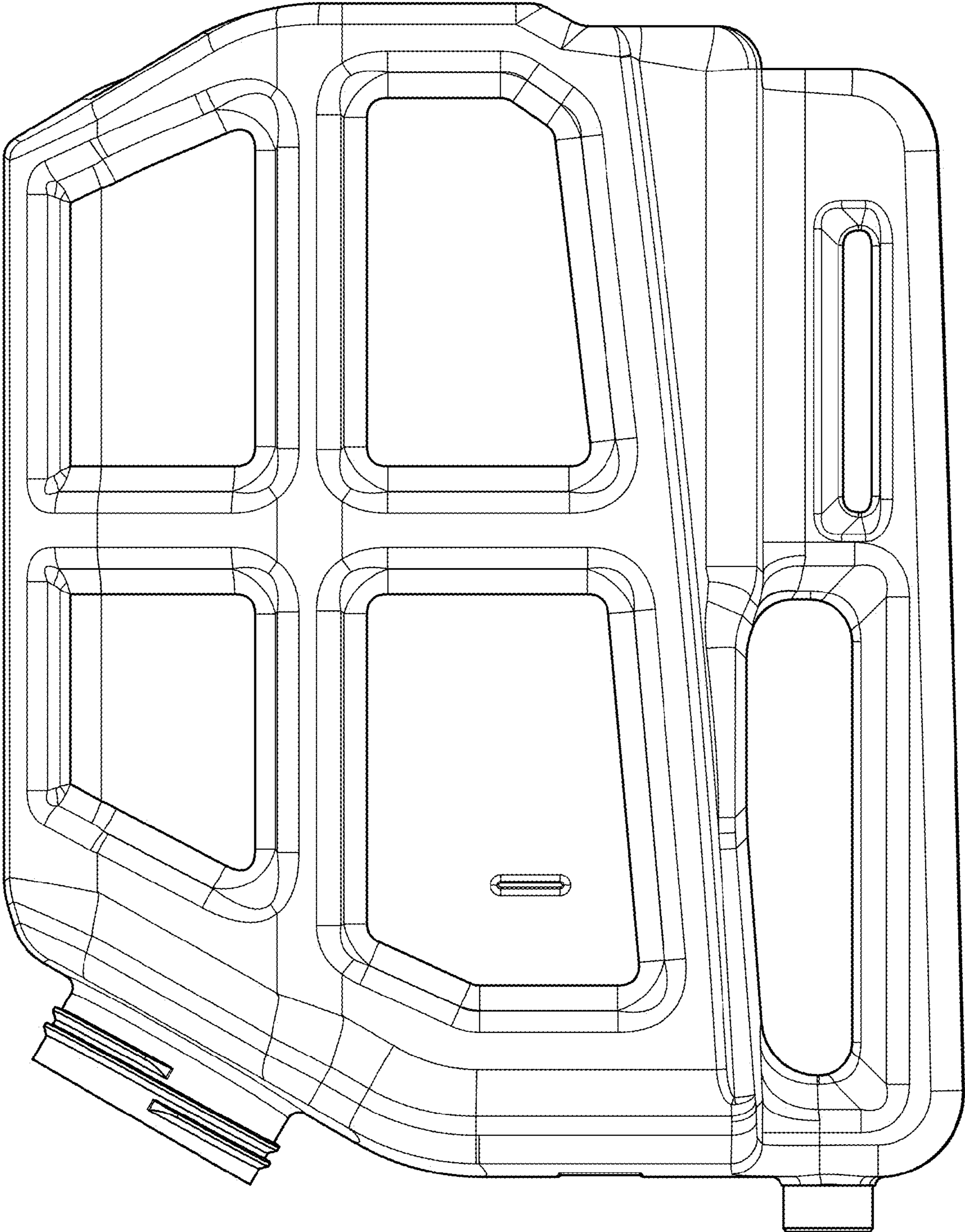


FIG. 2

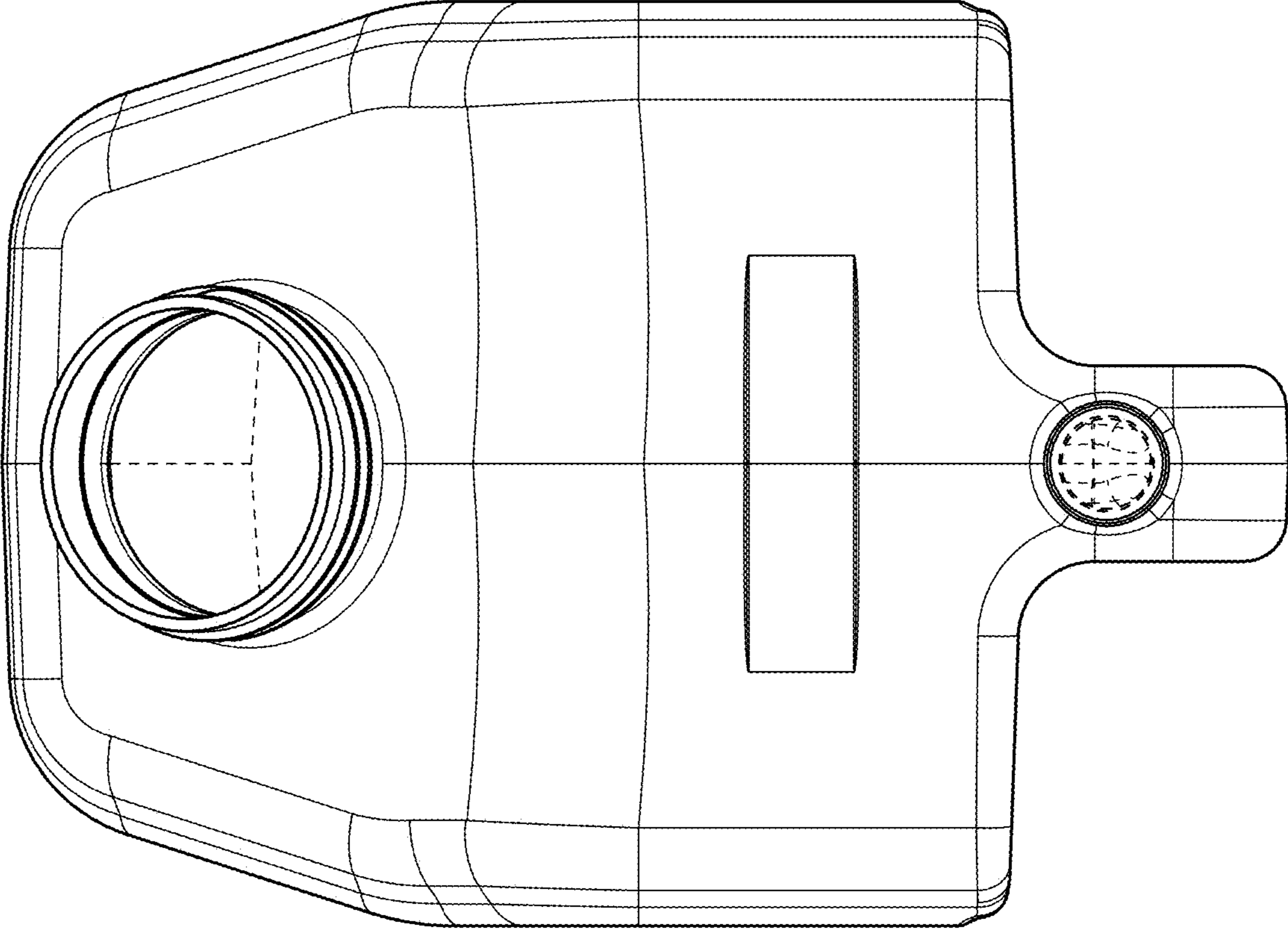


FIG. 3

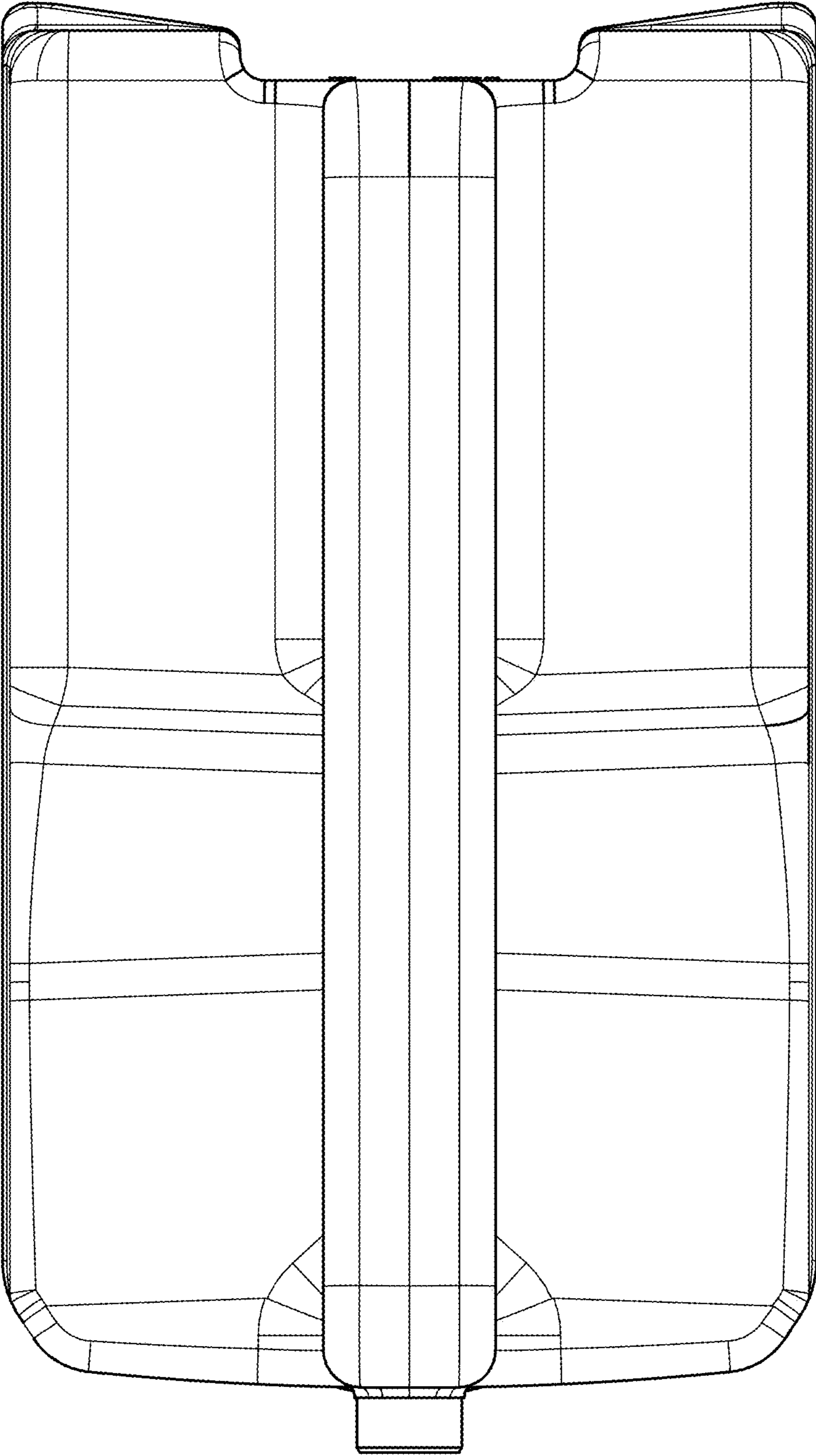


FIG. 4

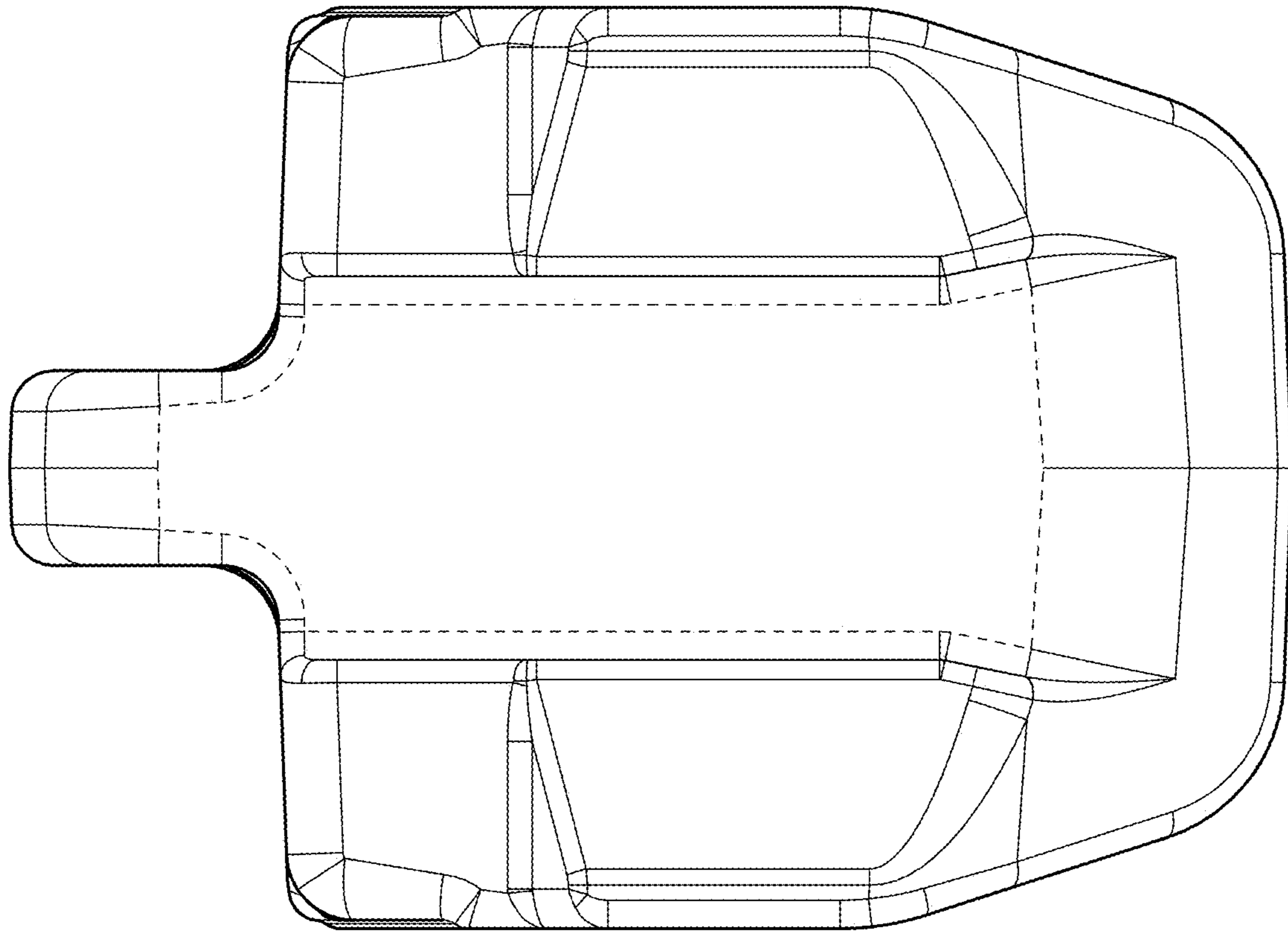


FIG. 5

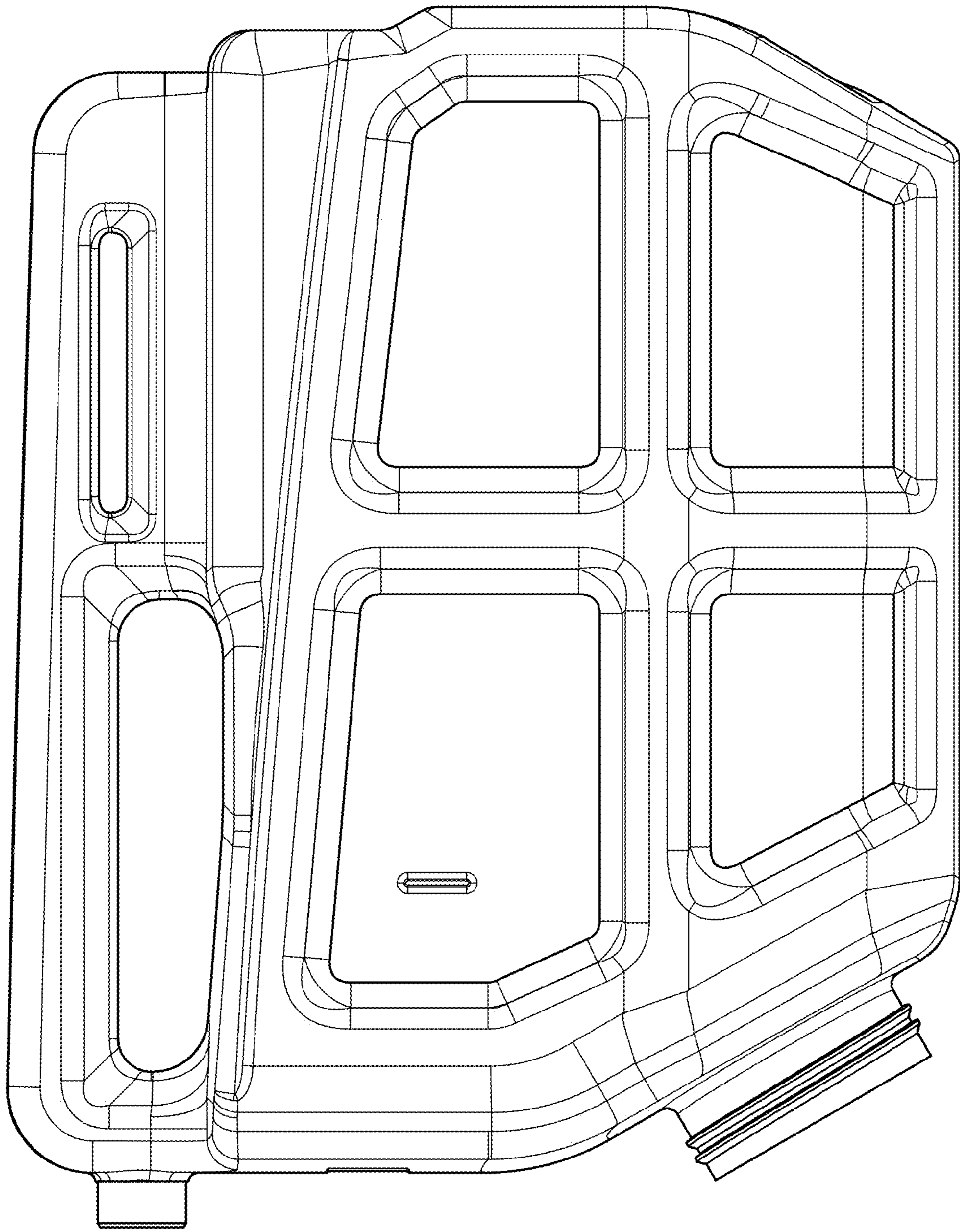


FIG. 6

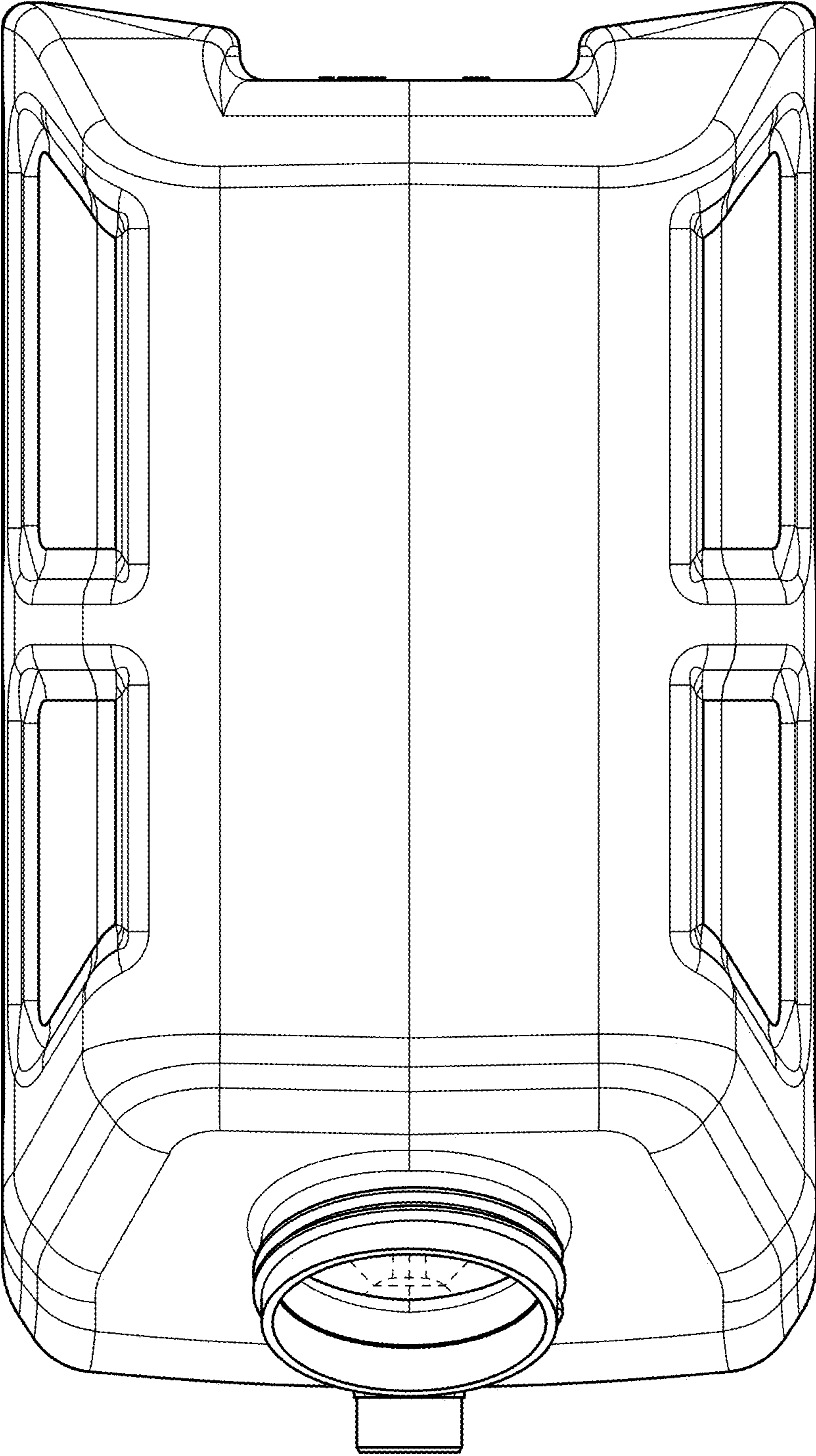


FIG. 7