



US00D935321S

(12) **United States Design Patent** (10) **Patent No.:** **US D935,321 S**  
**Sowell** (45) **Date of Patent:** **\*\* Nov. 9, 2021**

(54) **BOTTLE**

(71) Applicant: **Brenda J. Sowell**, Gibsonburg, OH (US)

(72) Inventor: **Brenda J. Sowell**, Gibsonburg, OH (US)

(\*\*) Term: **15 Years**

(21) Appl. No.: **29/657,349**

(22) Filed: **Jul. 20, 2018**

(51) **LOC (13) Cl.** ..... **09-01**

(52) **U.S. Cl.**  
USPC ..... **D9/521**; D9/522

(58) **Field of Classification Search**  
USPC ..... D9/519, 521, 523, 529, 530, 537, 540,  
D9/543, 549, 571, 575  
CPC ..... B65D 1/02; B65D 1/0223; B65D 1/023;  
B65D 1/0261; B65D 2501/0009; B65D  
2501/0081; B65D 2501/009

See application file for complete search history.

(56) **References Cited**

**U.S. PATENT DOCUMENTS**

3,214,783	A	11/1965	Perry et al.	
D433,634	S *	11/2000	Nicolas	D9/520
D533,185	S *	12/2006	Ishida	D14/203.2
D594,336	S *	6/2009	Adler	D9/521
D612,264	S *	3/2010	Miksovsky	D9/652
7,988,020	B2	8/2011	Shoham et al.	
8,226,317	B2	7/2012	Uxa, Jr.	
D667,729	S *	9/2012	Nutley	D9/521
D668,156	S *	10/2012	Bourguignon	D9/521
D668,774	S *	10/2012	Shanler	D24/224

D698,246	S *	1/2014	Morfit	D9/516
8,747,008	B2	6/2014	Geesbreght et al.	
D751,910	S *	3/2016	Saboia	D9/521
2008/0203115	A1	8/2008	LaFlamme et al.	

**OTHER PUBLICATIONS**

Single Oil Bottle Holster. Product listing [online]. Copyright 2012. Firm N Fold Massage Equipment, [retrieved on Feb. 15, 2018]. Retrieved from the Internet: <URL: <https://www.firm-n-fold.com.au/shop-online/oils-balms-lotions/holders-dispensers/single-oil-bottle-holster>>.

\* cited by examiner

*Primary Examiner* — Janice Patyk

(74) *Attorney, Agent, or Firm* — Cramer Patent & Design, PLLC; Aaron R. Cramer

(57) **CLAIM**

The ornamental design for a bottle, as shown and described.

**DESCRIPTION**

FIG. 1 is a top, front, right side perspective view of a bottle, showing my new design;

FIG. 2 is a top, rear, left side perspective view thereof;

FIG. 3 is a front elevation view thereof;

FIG. 4 is a rear elevation view thereof;

FIG. 5 is a right side elevation view thereof;

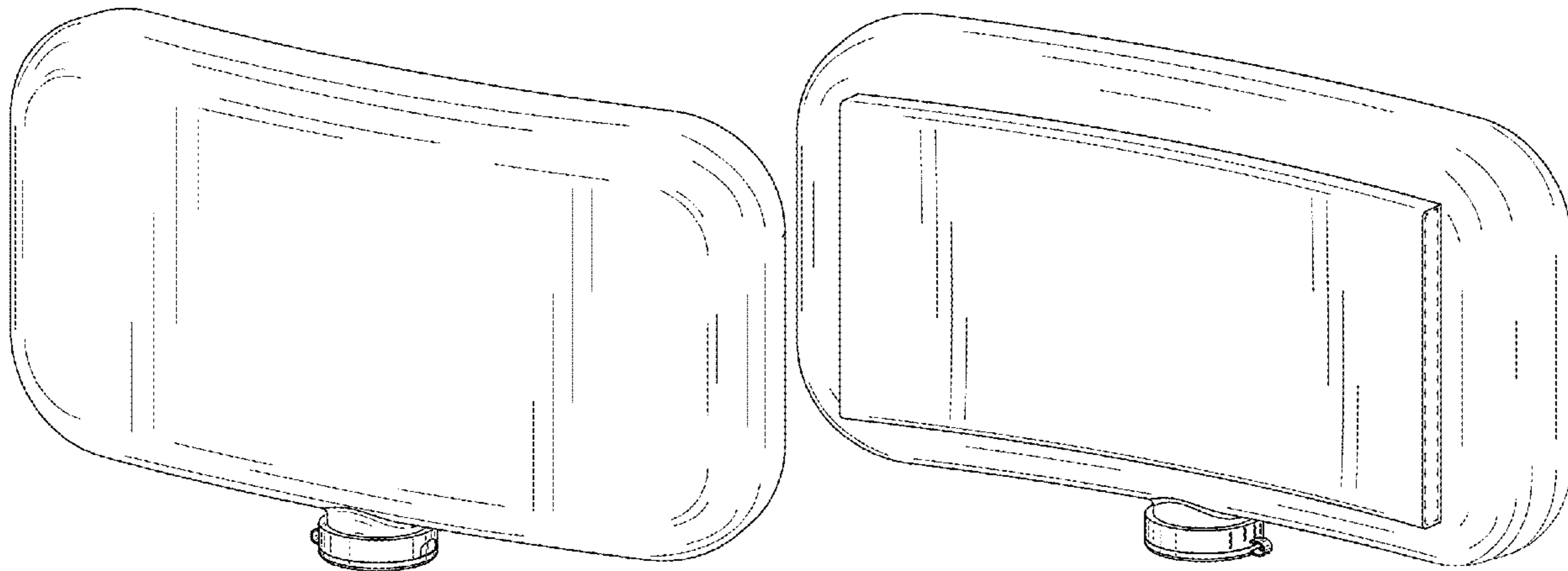
FIG. 6 is a left side elevation view thereof;

FIG. 7 is a top plan view thereof; and,

FIG. 8 is a bottom plan view thereof.

The broken lines in the figures illustrate the portions of the design that form no part of the claimed design.

**1 Claim, 5 Drawing Sheets**



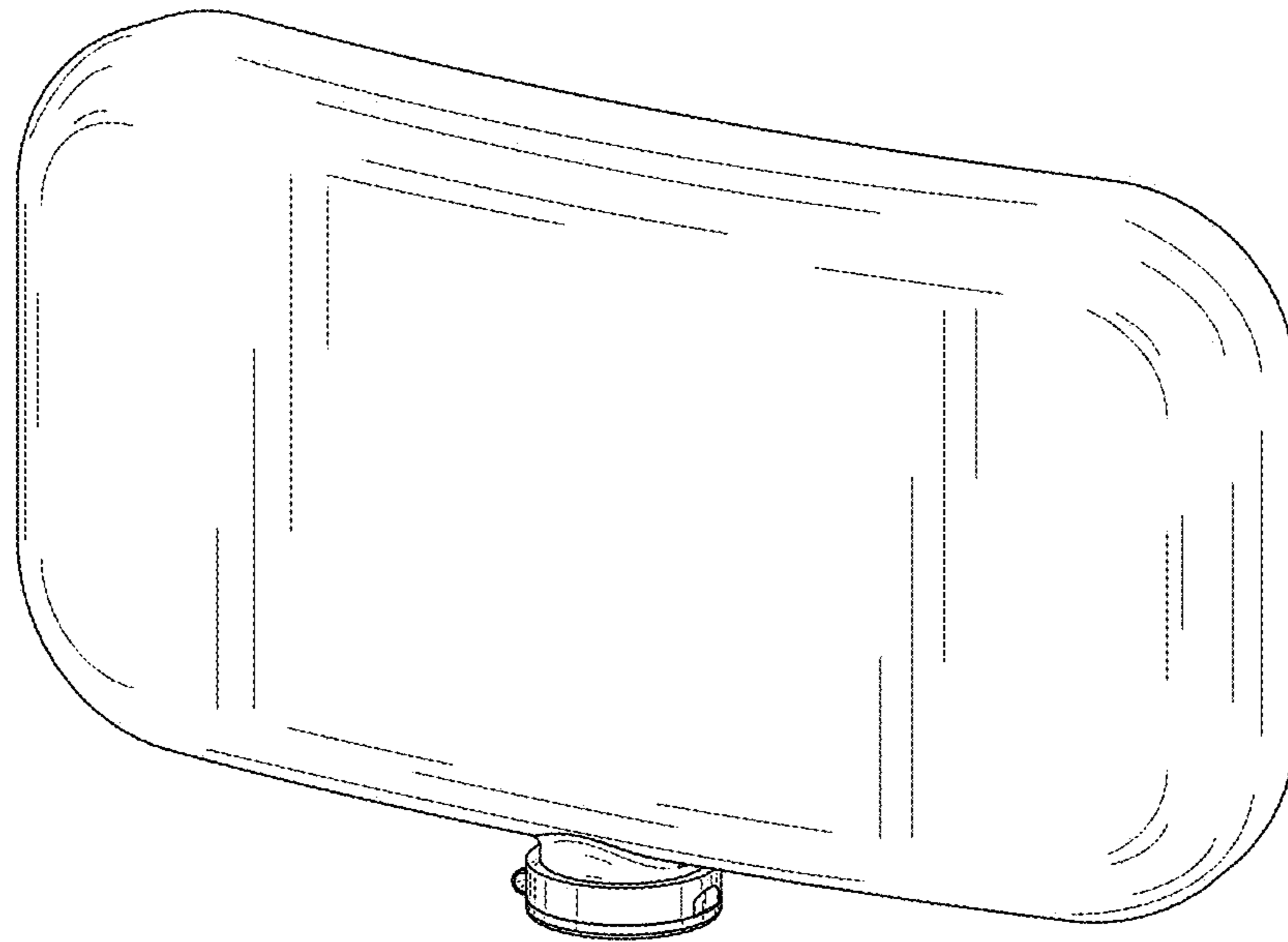


FIG. 1

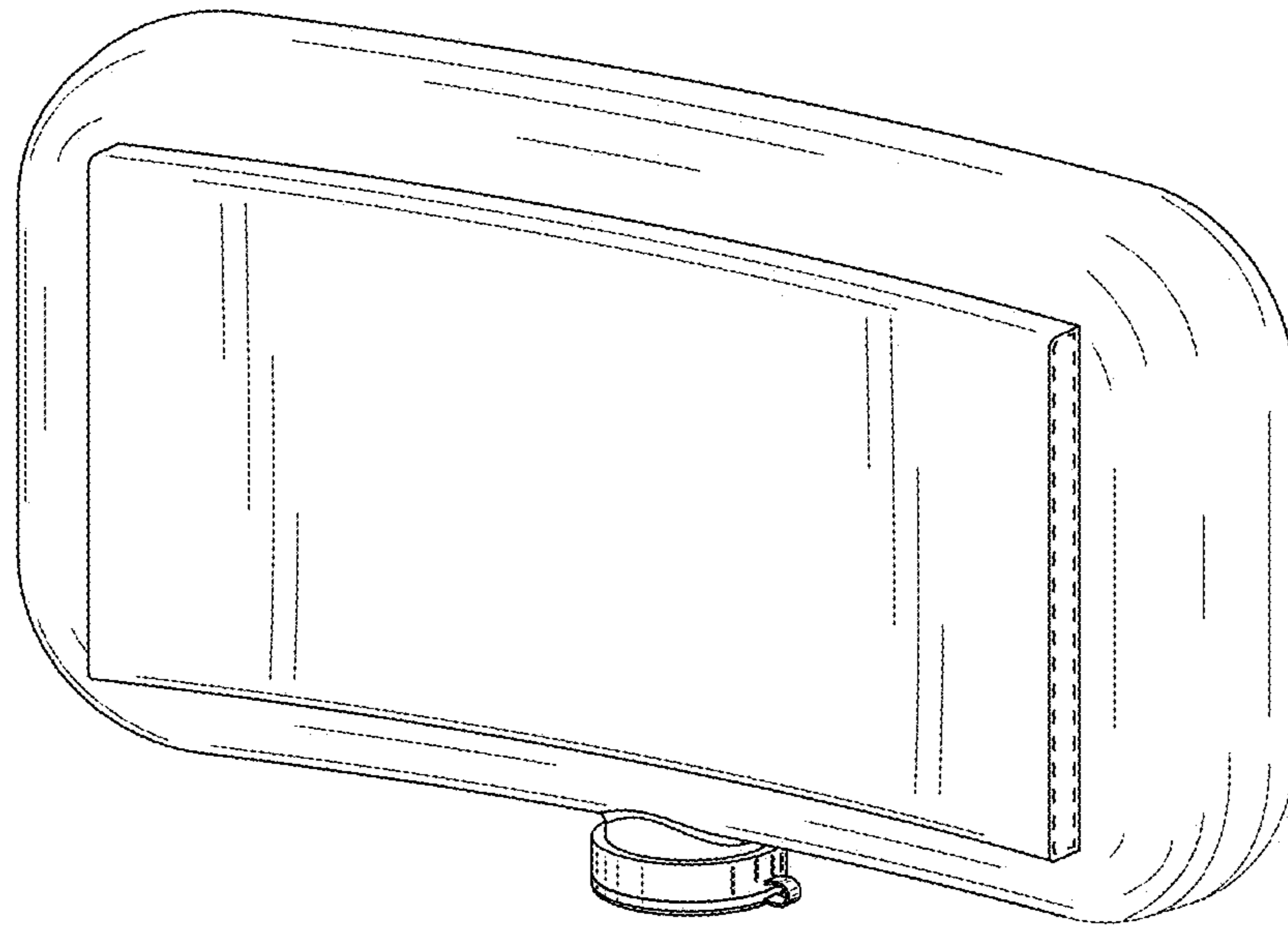


FIG. 2

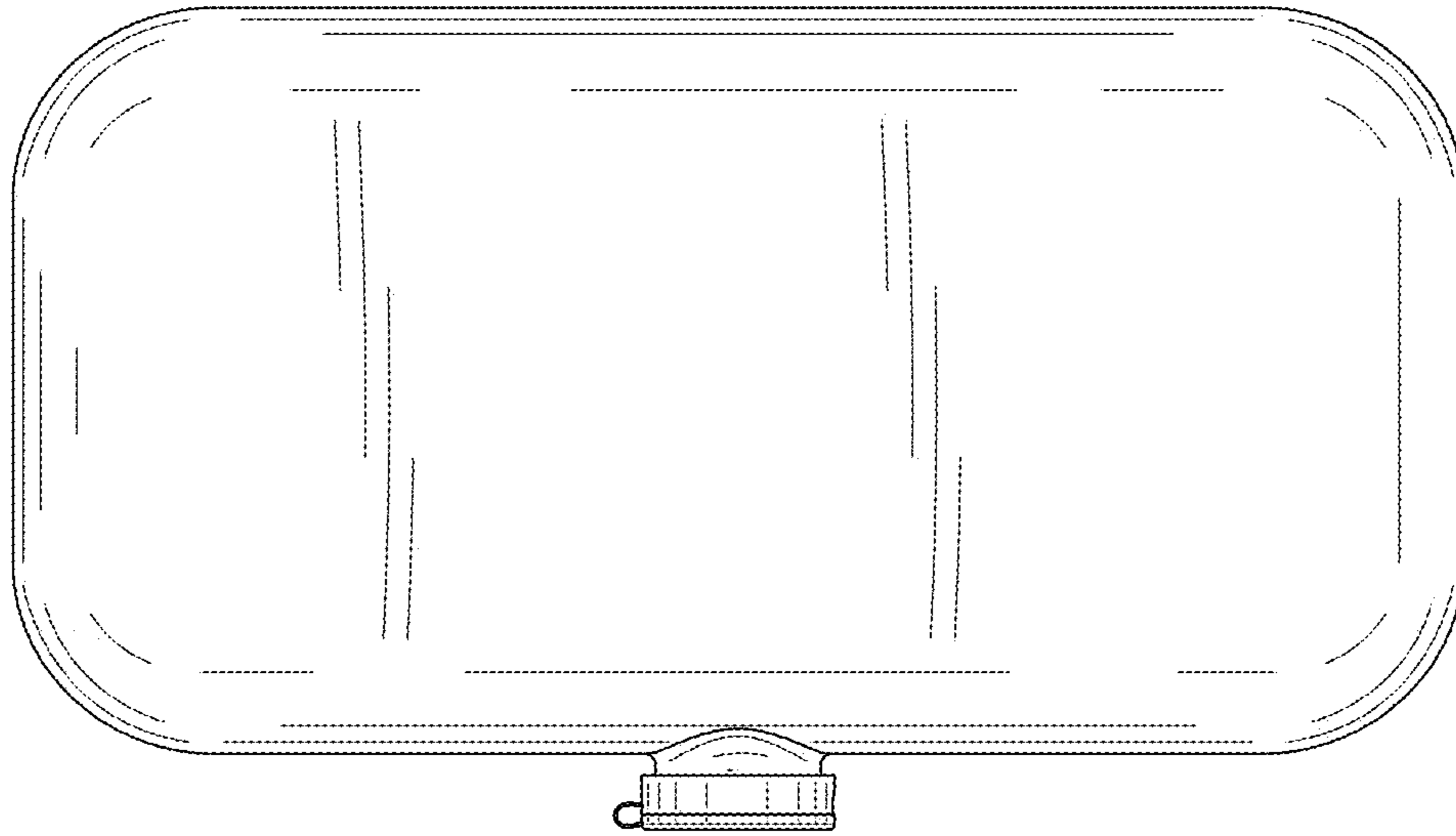


FIG. 3

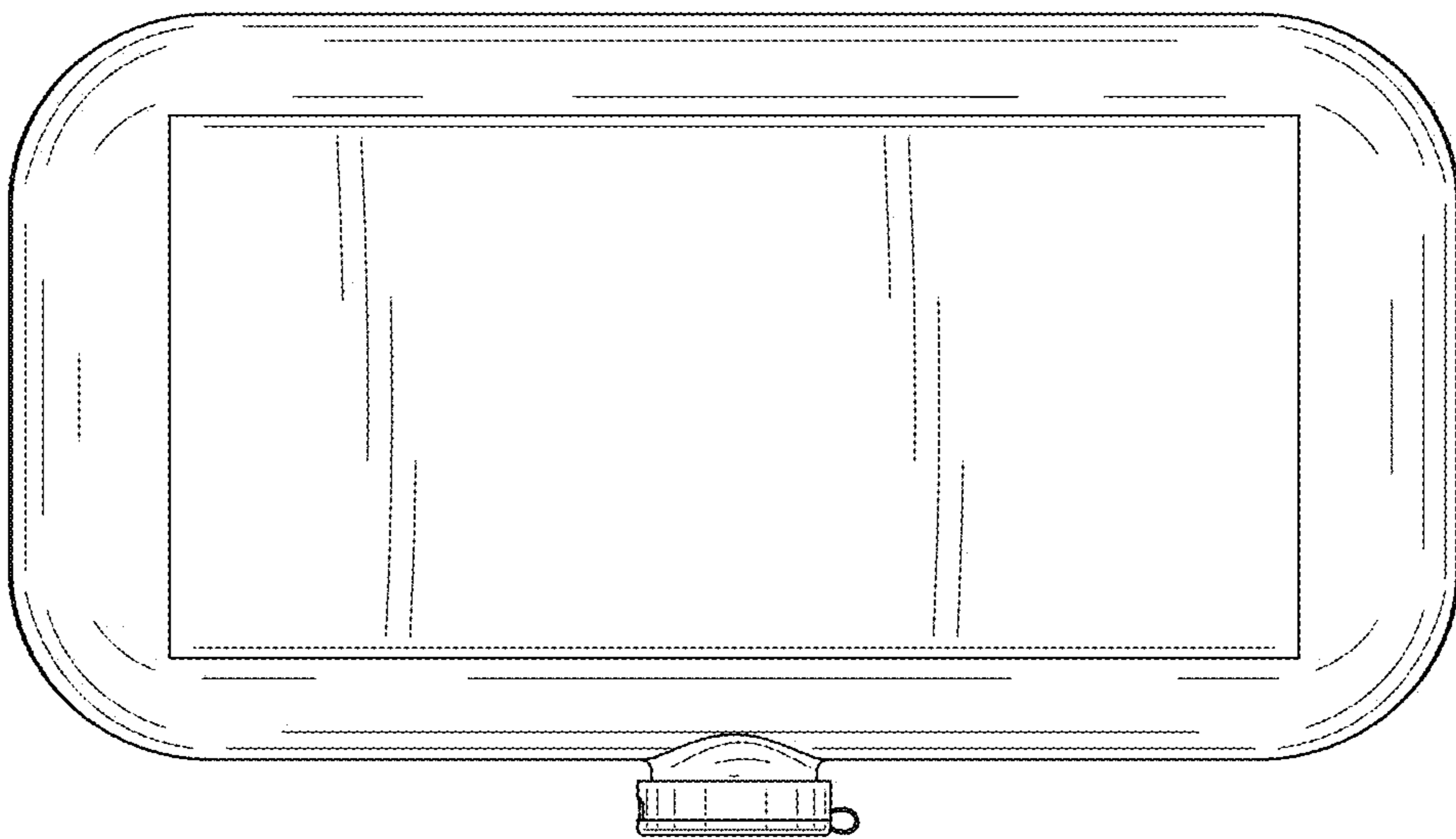


FIG. 4

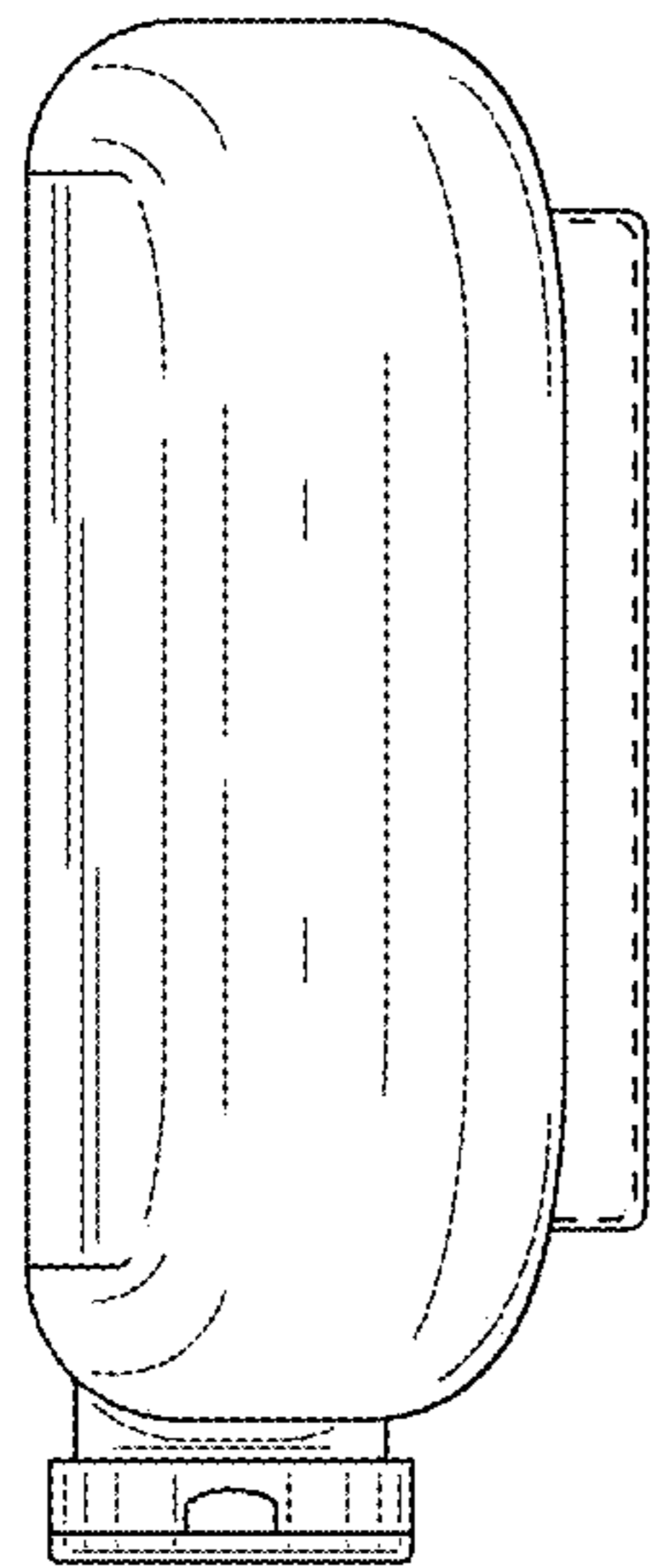


FIG. 5

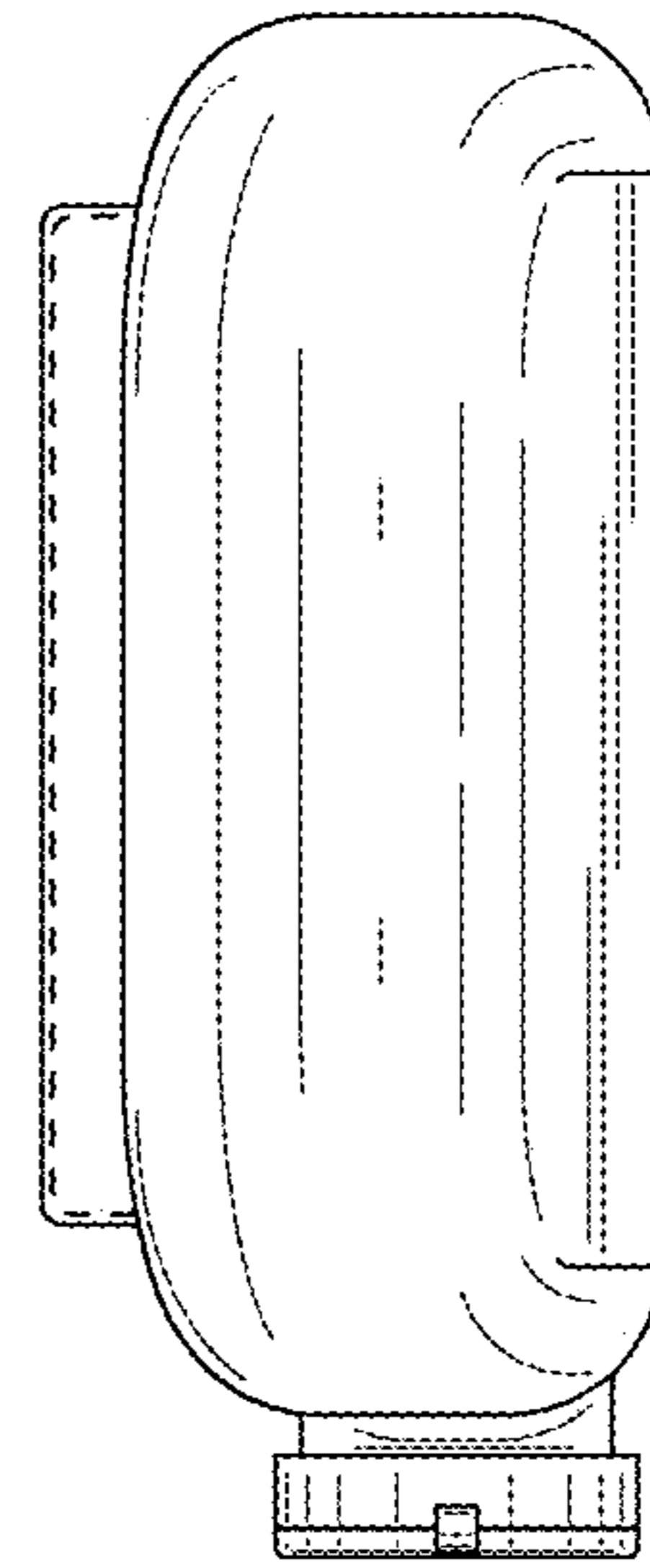


FIG. 6

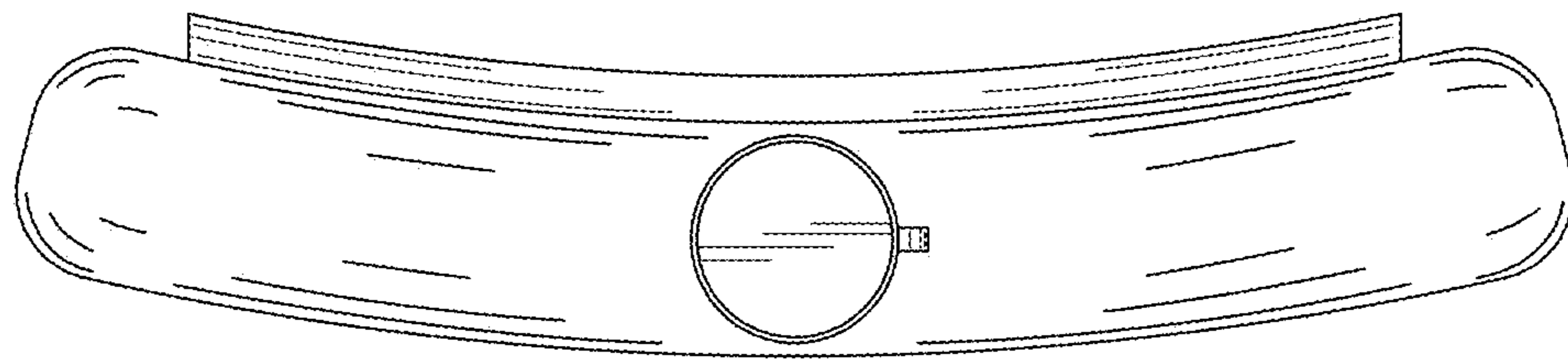


FIG. 7

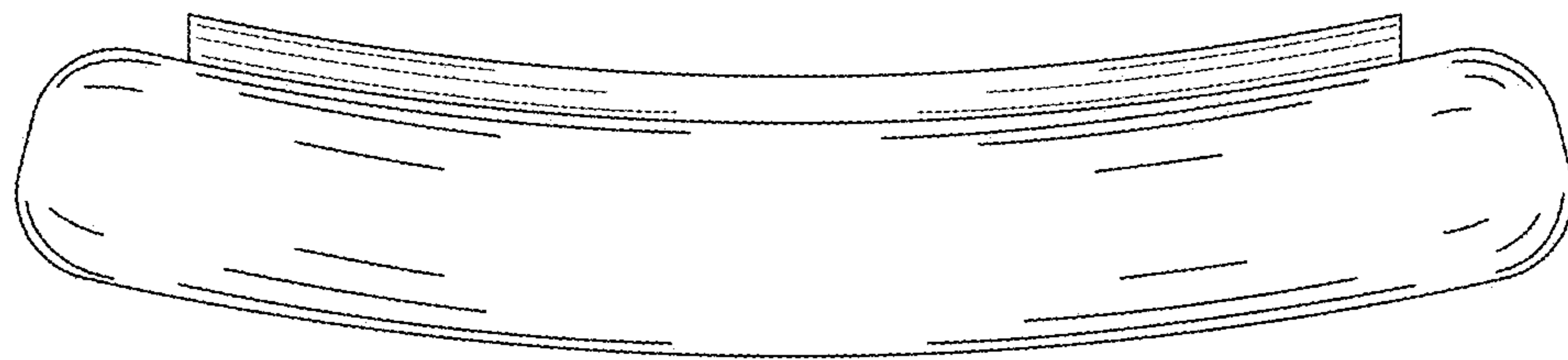


FIG. 8