

US00D935320S

(12) **United States Design Patent** (10) **Patent No.:** **US D935,320 S**
Neputy (45) **Date of Patent:** **** Nov. 9, 2021**

(54) **CLOSURE**

(71) Applicant: **Silgan White Cap LLC**, Downers Grove, IL (US)

(72) Inventor: **Darren Neputy**, Palos Hills, IL (US)

(73) Assignee: **Silgan White Cap LLC**, Downers Grove, IL (US)

(**) Term: **15 Years**

(21) Appl. No.: **29/733,555**

(22) Filed: **May 4, 2020**

D95,675 S 5/1935 Fuerst
D96,766 S 9/1935 Kronman
D99,274 S 4/1936 Fleisch
D99,327 S 4/1936 Howie, Jr.
D106,187 S 9/1937 Fleisch
D136,437 S 10/1943 Tatro
D136,438 S 10/1943 Tatro
D136,439 S 10/1943 Tatro
D136,440 S 10/1943 Tatro
D136,441 S 10/1943 Tatro
D153,956 S 5/1949 Lay
D202,227 S 9/1965 Amburgey et al.
D212,463 S 10/1968 Vanderhyde et al.
D318,804 S 8/1991 Ochs

(Continued)

Related U.S. Application Data

(62) Division of application No. 29/680,839, filed on Feb. 20, 2019, now Pat. No. Des. 885,905, which is a division of application No. 29/587,611, filed on Dec. 14, 2016, now Pat. No. Des. 846,987.

(51) **LOC (13) Cl.** **09-07**

(52) **U.S. Cl.**
USPC **D9/453**

(58) **Field of Classification Search**
USPC D7/392.1, 396.2, 900; D9/434-436, 440, D9/443-447, 452-454, 499
CPC .. B65D 1/0223; B65D 1/0246; B65D 41/122; B65D 41/3428; B65D 75/5883
See application file for complete search history.

(56) **References Cited**

U.S. PATENT DOCUMENTS

D24,862 S 11/1895 Abbott
D83,012 S 1/1931 Scribner
D84,239 S 5/1931 Fuerst
D86,280 S 2/1932 Smith
D89,809 S 5/1933 Von Till
D90,431 S 8/1933 Wilmet
RE19,249 E 7/1934 Conner

OTHER PUBLICATIONS

Silgan Closures.Three Trending Development in Plastic Closures in 2018. 2018. <https://silgancls.com/trending-developments-in-plastic-closures/> (Year: 2018).*

(Continued)

Primary Examiner — Darcey E Gottschalk
(74) *Attorney, Agent, or Firm* — Reinhart Boerner Van Deuren s.c.

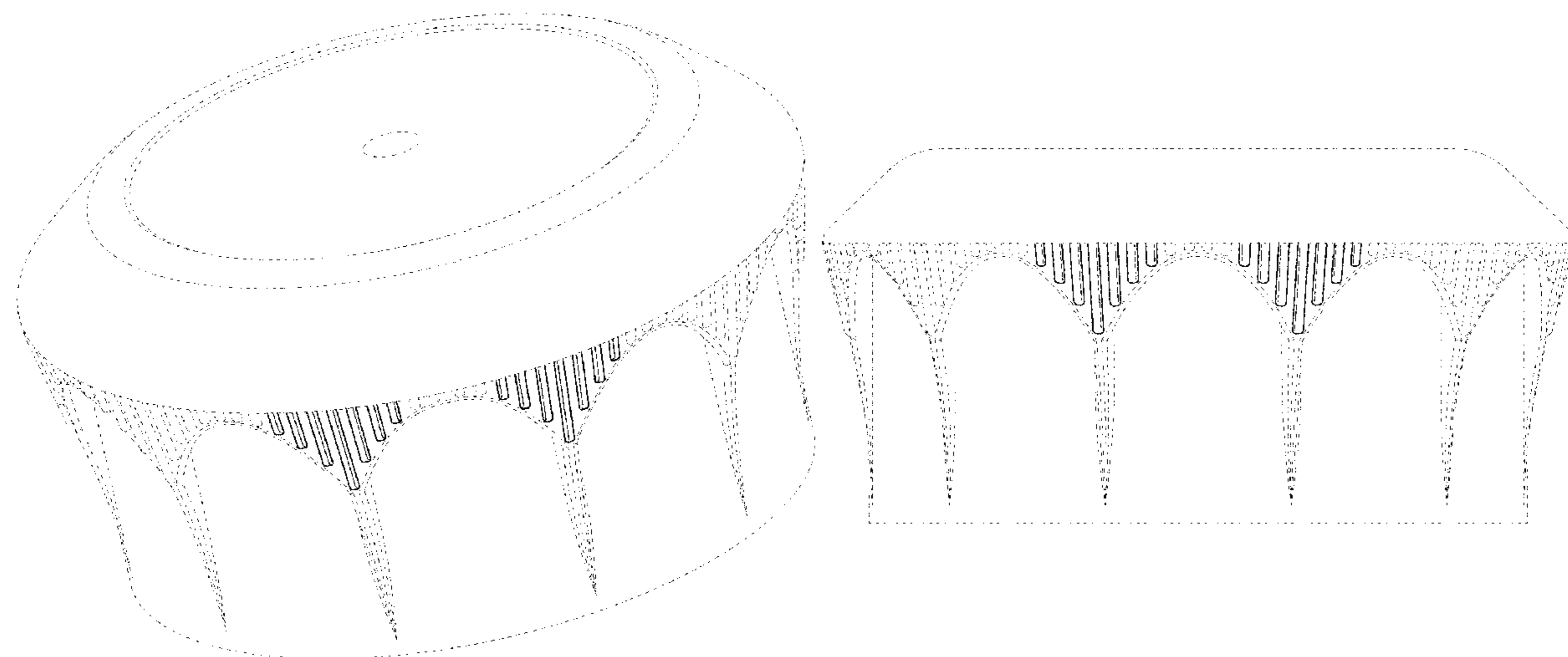
(57) **CLAIM**

I claim the ornamental design for a closure, as shown and described.

DESCRIPTION

FIG. 1 is a top perspective view of the claimed design;
FIG. 2 is a side view of the claimed design;
FIG. 3 is a bottom perspective view of the claimed design;
and,
FIG. 4 is a bottom view of the claimed design.
The ornamental design which is claimed is shown in solid lines in the drawings. In the drawings, the broken lines show portions of a closure that form no part of the claim.

1 Claim, 4 Drawing Sheets



(56)

References Cited

U.S. PATENT DOCUMENTS

D356,871 S 3/1995 Dunn
 D365,742 S 1/1996 Decursu et al.
 D384,551 S * 10/1997 Ahern, Jr. D7/391
 D394,184 S * 5/1998 Demore D7/391
 D413,485 S * 9/1999 Much D7/391
 D422,217 S 4/2000 Gundlach et al.
 D437,226 S 2/2001 Sadeghi et al.
 D442,089 S 5/2001 Sadeghi et al.
 D449,530 S 10/2001 Sadeghi et al.
 D453,473 S 2/2002 Del Bianco
 D471,813 S 3/2003 Shenkar
 6,783,014 B2 8/2004 Luker
 D526,564 S 8/2006 Slavin et al.
 D530,612 S 10/2006 Lohrman et al.
 D534,802 S 1/2007 German
 D542,654 S 5/2007 Szczesniak
 D542,655 S 5/2007 Szczesniak
 D542,656 S 5/2007 Szczesniak
 D543,108 S 5/2007 Reed et al.
 D544,348 S 6/2007 Szczesniak
 D574,240 S 8/2008 Szczesniak
 D574,708 S 8/2008 Reed et al.
 D583,236 S 12/2008 Fuchs
 D606,401 S 12/2009 Kamath et al.
 D608,201 S 1/2010 Fuchs
 D613,162 S 4/2010 Druitt
 7,802,690 B2 9/2010 Lohrman et al.
 D631,349 S 1/2011 Arnell et al.
 D633,386 S 3/2011 Taber et al.
 D639,161 S 6/2011 Webster
 D668,542 S 10/2012 Thurin et al.
 D673,045 S 12/2012 Clark
 D673,046 S 12/2012 Clark
 D679,185 S 4/2013 Brown et al.
 D679,186 S 4/2013 Brown et al.

8,528,757 B2 9/2013 Bisio
 D697,366 S 1/2014 Kristinik
 D708,950 S 7/2014 Zeid et al.
 D712,743 S 9/2014 Neputy et al.
 D712,744 S 9/2014 Neputy et al.
 D714,146 S 9/2014 King
 D721,963 S 2/2015 Finkbohner et al.
 D726,006 S 4/2015 Rapparini
 9,309,032 B2 4/2016 Berge et al.
 D756,777 S 5/2016 Berge et al.
 D757,545 S 5/2016 King
 9,533,802 B2 1/2017 Berge
 D778,160 S 2/2017 Orset
 D790,344 S 6/2017 Neputy et al.
 D791,591 S 7/2017 Berge
 D805,900 S 12/2017 Kapolas
 D809,384 S 2/2018 Best et al.
 D813,671 S 3/2018 Arthur et al.
 9,938,050 B2 4/2018 Berge
 D846,987 S * 4/2019 Neputy D9/453
 D872,521 S * 1/2020 Sitwell D7/392.1
 D885,902 S * 6/2020 Berroa Garcia D9/452
 D885,905 S * 6/2020 Neputy D9/453
 2011/0290754 A1 12/2011 Taber et al.
 2015/0129533 A1 5/2015 Taber et al.
 2015/0232237 A1 8/2015 Berge et al.
 2018/0257822 A1* 9/2018 Neputy B65D 41/005

OTHER PUBLICATIONS

Silgan Closures, "Drinktec 2017—Silgan Closures," Nov. 9, 2017, site accessed on Aug. 28, 2018, [<http://www.silgan-closures.com/news/2017/Drinktec-2017-BOTTLED-WATERS.html>], 5 pages.
 Silgan Closures "Three Trending Developments in Plastic Closures in 2018," 2018, accessed on Internet on Apr. 4, 2019, [<https://silgancls.com/trending-developments-in-plastic-closures/>], 6 pages.

* cited by examiner

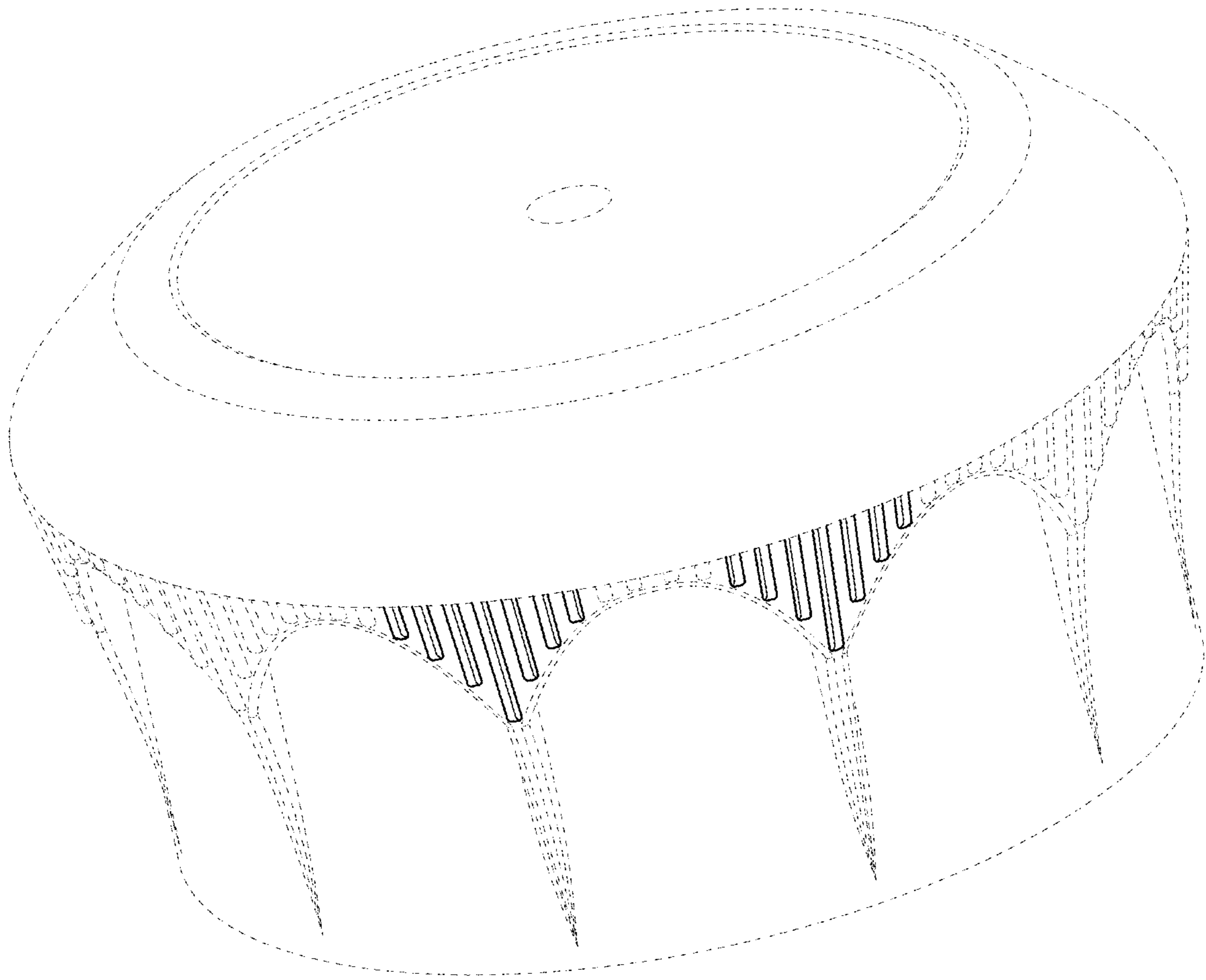


FIG. 1

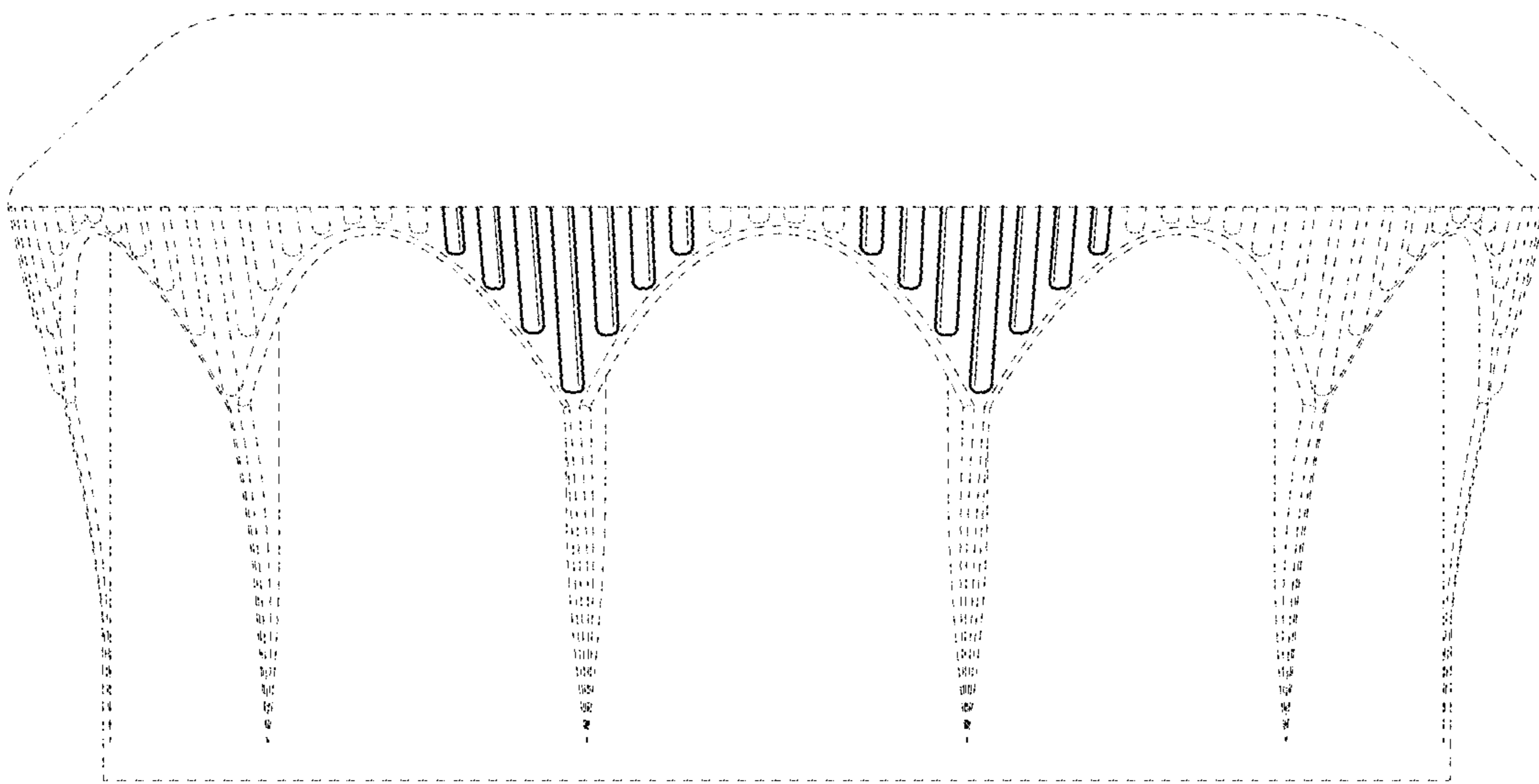


FIG. 2

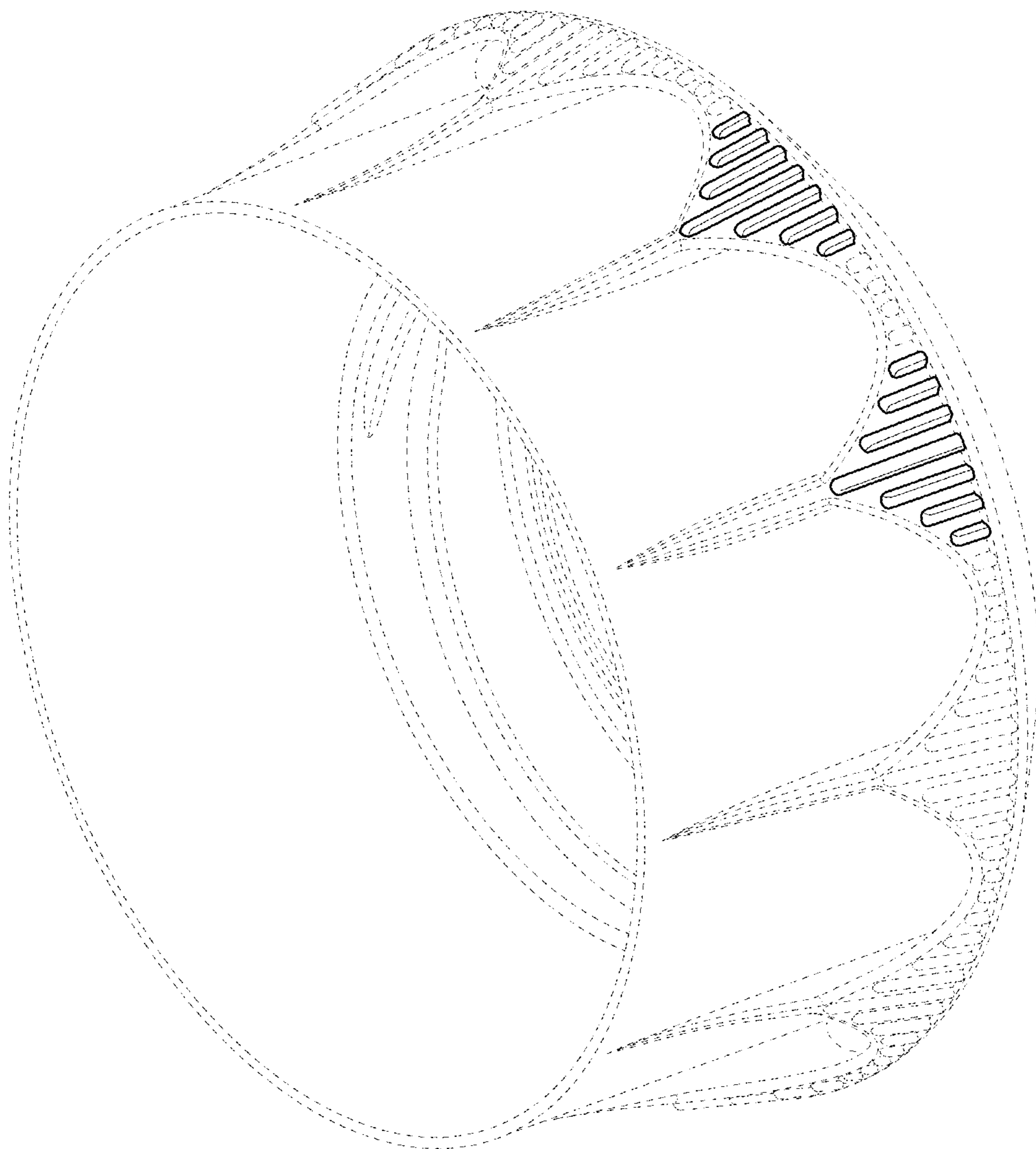


FIG. 3

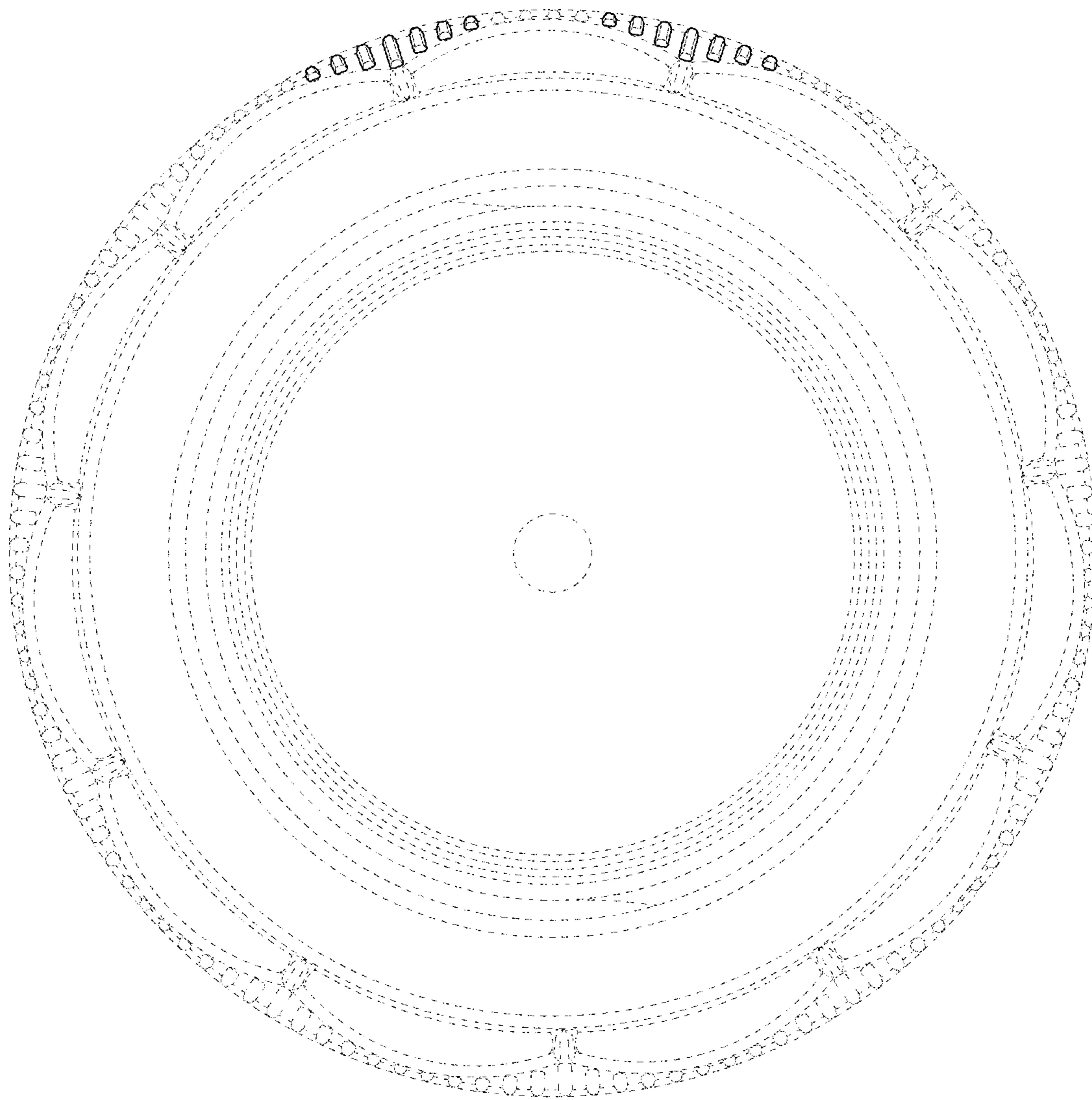


FIG. 4