



US00D935318S

(12) **United States Design Patent**
Tempfli

(10) **Patent No.:** **US D935,318 S**

(45) **Date of Patent:** **** Nov. 9, 2021**

(54) **SPRAY HEAD**

(71) Applicant: **Karl Tempfli**, Gottmadingen (DE)

(72) Inventor: **Karl Tempfli**, Gottmadingen (DE)

(73) Assignee: **Aptar Radolfzell GmbH**, Radolfzell (DE)

(**) Term: **15 Years**

(21) Appl. No.: **29/701,289**

(22) Filed: **Aug. 9, 2019**

(30) **Foreign Application Priority Data**

Jul. 24, 2019 (EM) 006645131

(51) **LOC (13) Cl.** **09-07**

(52) **U.S. Cl.**
USPC **D9/448**

(58) **Field of Classification Search**

USPC D7/300.2, 312, 313, 387, 391, 392,
D7/392.1, 396.1, 396.2, 397, 398;
D9/682-694, 695, 723, 724, 729, 434,
D9/435, 436, 439, 440, 448, 449;
D23/213, 214, 218, 221, 223, 224, 226,
D23/227, 233, 255, 259; D28/91.1;
D24/112, 113, 115, 127, 133, 193, 194,
D24/196, 199, 222
CPC B65D 39/00; B65D 39/0047; B65D 1/00;
B65D 1/02; B65D 1/10; B65D 1/46;
B65D 5/46; B65D 41/00; B65D 41/38;
B65D 41/56; B65D 41/62; B65D 47/00;
B65D 47/06; B65D 47/08; B65D
2543/00046;

(Continued)

(56) **References Cited**

U.S. PATENT DOCUMENTS

D142,980 S * 11/1945 Bery D24/196
D165,577 S * 1/1952 Fuld D9/447

(Continued)

FOREIGN PATENT DOCUMENTS

CA 57522 * 11/1986
CA 109629 * 12/2004

(Continued)

Primary Examiner — Catherine S Posthauer

(74) *Attorney, Agent, or Firm* — Flynn Thiel, P.C.

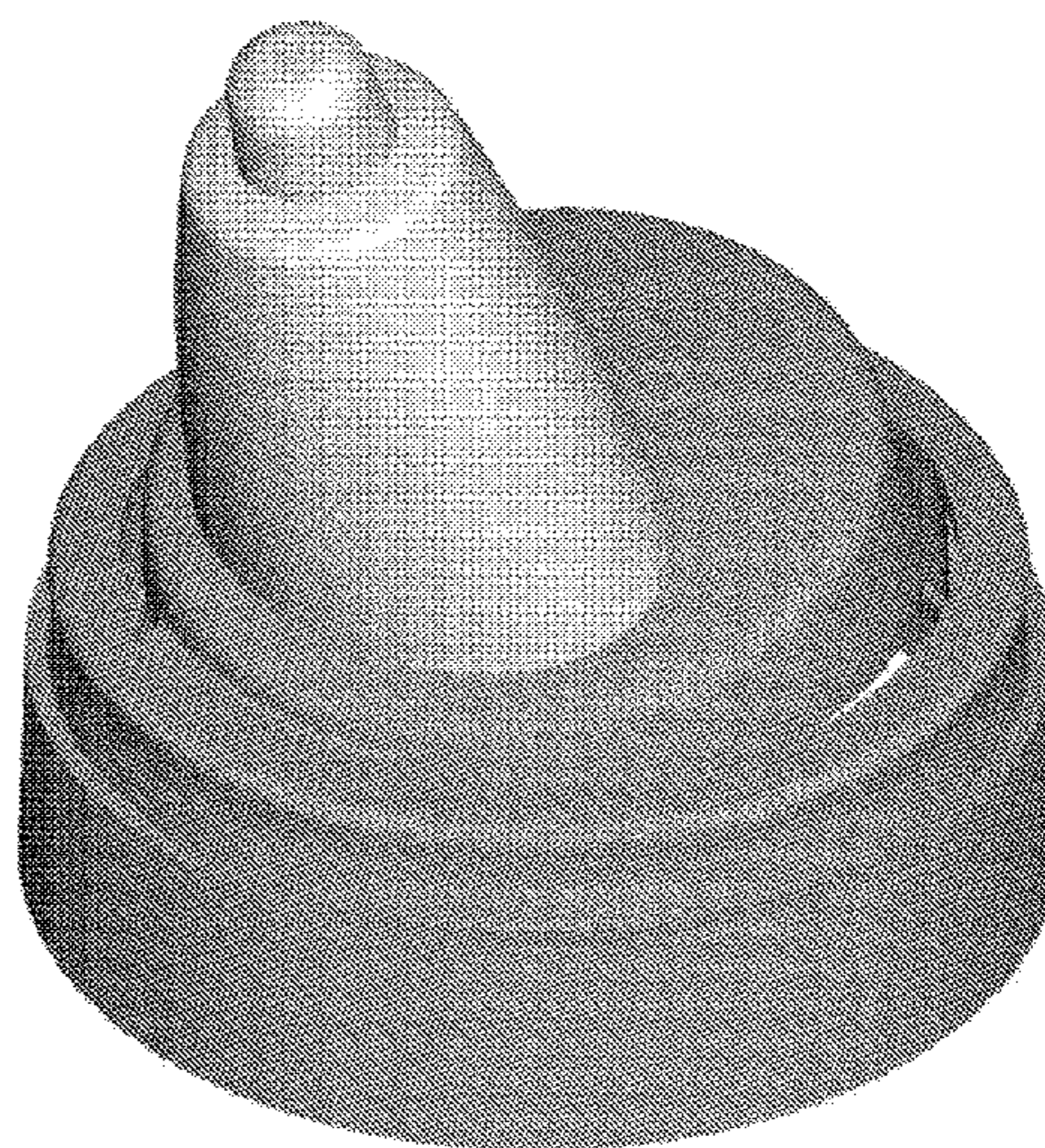
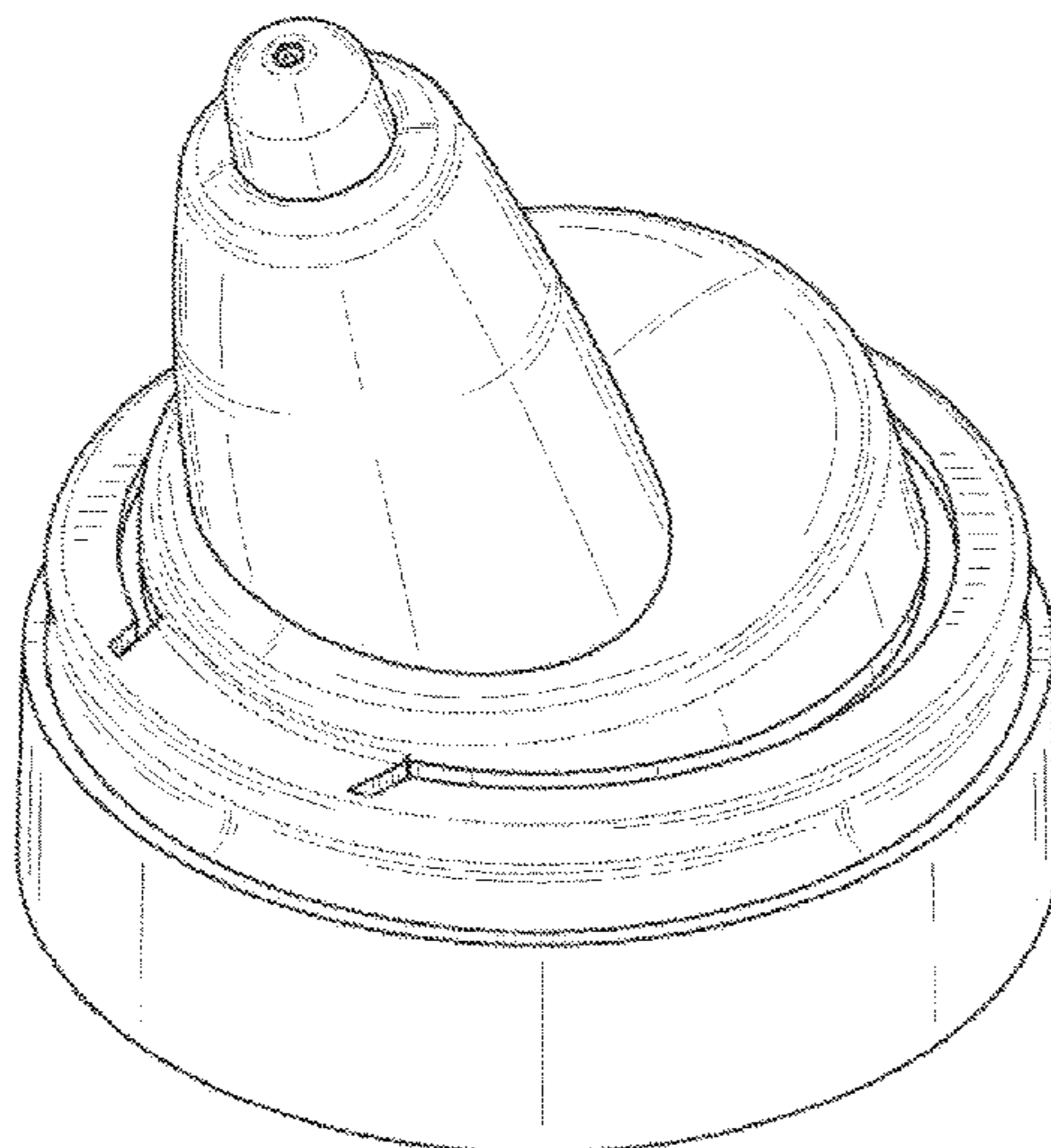
(57) **CLAIM**

The ornamental design for a spray head, as shown and described.

DESCRIPTION

FIG. 1 is a perspective view of a spray head showing a first embodiment of my new design;
FIG. 2 is a front view thereof;
FIG. 3 is a right side view thereof;
FIG. 4 is a rear view thereof;
FIG. 5 is a left side view thereof;
FIG. 6 is a top view thereof;
FIG. 7 is a perspective view of a spray head showing a second embodiment of my new design;
FIG. 8 is a front view thereof;
FIG. 9 is a right side view thereof;
FIG. 10 is a rear view thereof;
FIG. 11 is a left side view thereof;
FIG. 12 is a top view thereof;
FIG. 13 is a perspective view of a spray head showing a third embodiment of my new design;
FIG. 14 is a front view thereof;
FIG. 15 is a right side view thereof;
FIG. 16 is a rear view thereof;
FIG. 17 is a left side view thereof; and,
FIG. 18 is a top view thereof.
The greyscale used in the figures represents a contrast in appearance. The bottom view of the embodiments are not visible during ordinary use and form no part of the claimed design.

1 Claim, 18 Drawing Sheets



(58) **Field of Classification Search**

CPC B65D 2543/00092; B65D 2543/00296;
 B65D 2585/56; B65D 2585/545; A61J
 1/00; A61J 1/1412; A61M 11/02; A61M
 11/006; A61N 5/0603; A47K 5/1205;
 A47K 5/1217; A47K 5/14

See application file for complete search history.

(56) **References Cited**

U.S. PATENT DOCUMENTS

D178,221 S * 7/1956 Collins D9/448
 D193,956 S * 10/1962 Yonkers D9/448
 3,149,758 A * 9/1964 Bush B01D 19/0031
 222/189.09
 3,159,314 A * 12/1964 De Lucca A47J 47/01
 222/183
 D206,411 S * 12/1966 Marona D9/447
 3,430,826 A * 3/1969 Microulis B65D 47/06
 222/570
 D217,133 S * 4/1970 O'Neill D9/447
 D217,330 S * 4/1970 Conry D9/440
 D234,123 S * 1/1975 Ragagli D9/447
 D302,388 S * 7/1989 Huff D9/447
 D333,787 S * 3/1993 Hirst D9/435
 D364,811 S * 12/1995 Zimmerhackel D9/448
 D370,847 S * 6/1996 Lamb D9/448
 5,647,516 A * 7/1997 Young B65D 1/023
 222/529
 D382,059 S * 8/1997 Maya D24/196
 D398,233 S * 9/1998 Wood D9/447
 D398,813 S * 9/1998 Franzese D7/396.1
 D402,890 S * 12/1998 Guillemot D9/448
 D423,357 S * 4/2000 Chrisco D7/510
 D437,385 S * 2/2001 Chao D23/213
 D478,284 S * 8/2003 Pannozzo D9/448
 D481,632 S * 11/2003 Masotta D9/435
 D505,073 S * 5/2005 Flurer D9/448
 D509,136 S * 9/2005 Walters D9/447
 D513,995 S * 1/2006 Miwa D9/682
 D520,807 S * 5/2006 Morgan B65D 35/38
 D7/368
 D523,749 S * 6/2006 Koianus D9/448
 D524,648 S * 7/2006 Feist D28/7
 7,104,469 B2 * 9/2006 Merk A61M 15/08
 239/302
 D543,118 S * 5/2007 Poisson D9/724
 D551,075 S * 9/2007 Puller D9/447

D567,654 S * 4/2008 Geiberger D9/448
 D584,151 S * 1/2009 Murphy D9/447
 D587,571 S * 3/2009 Gonzales, Jr. D9/440
 D599,902 S * 9/2009 Lilienthal D24/110
 D601,894 S * 10/2009 Cho D9/447
 D607,992 S * 1/2010 Lilienthal D24/110
 D636,843 S * 4/2011 Nolte 23/213
 D658,442 S * 5/2012 Mongeon D7/505
 D659,531 S 5/2012 Engel
 D684,053 S * 6/2013 Wisniewski D9/448
 D684,054 S * 6/2013 Son D9/448
 D712,741 S * 9/2014 Vukelic D9/435
 D736,906 S * 8/2015 Schultz D24/108
 D737,951 S * 9/2015 Lindsay D24/108
 D755,630 S * 5/2016 Marraccini D9/447
 D757,544 S * 5/2016 Barenhoff D9/448
 D761,951 S * 7/2016 Djupesland D24/110
 9,533,870 B2 * 1/2017 Zapp B67D 3/041
 D821,567 S * 6/2018 Feldman D24/108
 D824,762 S * 8/2018 Huang D9/447
 D847,981 S * 5/2019 Calvert D24/127
 D888,197 S * 6/2020 McDonnell 23/213
 D896,645 S * 9/2020 Borel D9/448
 D897,203 S * 9/2020 Furner D9/448
 D897,843 S * 10/2020 Lee D9/448
 D913,789 S * 3/2021 Ramsuer D9/448
 2004/0262916 A1 * 12/2004 Byron B65D 51/1644
 285/276
 2009/0178997 A1 * 7/2009 Clark B65D 23/102
 215/384
 2013/0056502 A1 * 3/2013 Zapp G01F 11/263
 222/500
 2015/0014368 A1 * 1/2015 Greiner-Perth A61M 15/08
 222/402.13
 2016/0023804 A1 * 1/2016 Tuyls B67D 3/0041
 222/573
 2016/0376069 A1 * 12/2016 Jung B65D 35/44
 401/261
 2017/0015475 A1 * 1/2017 Dejonge B65D 50/062
 2017/0266396 A1 * 9/2017 Feldman A61M 11/02
 2018/0014997 A1 * 1/2018 Eichelkraut A61J 1/2082
 2019/0111448 A1 * 4/2019 Greiner-Perth B05B 11/3015
 2020/0270030 A1 * 8/2020 Kim B65D 47/043

FOREIGN PATENT DOCUMENTS

EM 000092689-0001 * 2/2004
 EP 3412325 A1 12/2018

* cited by examiner

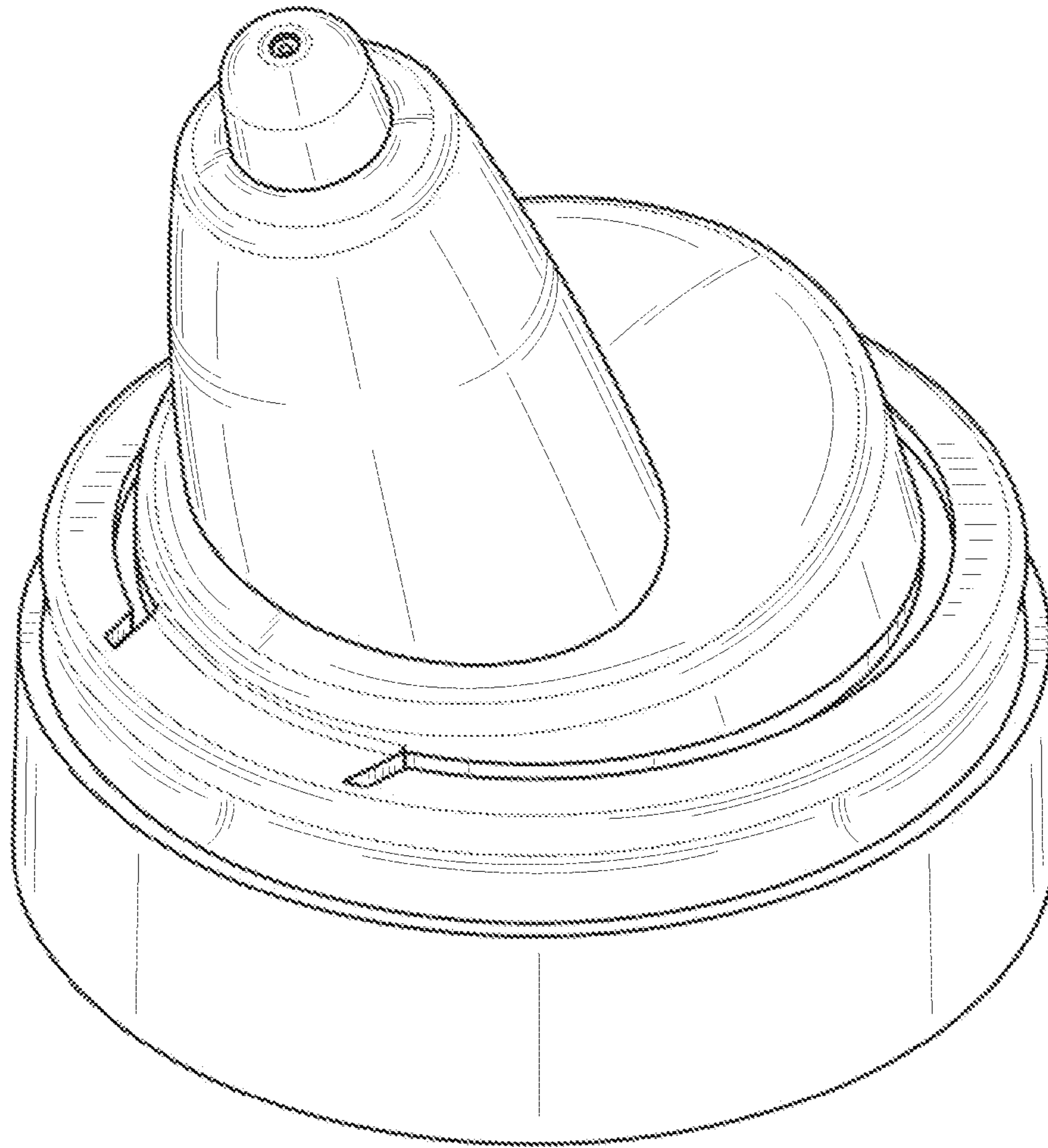


FIG. 1

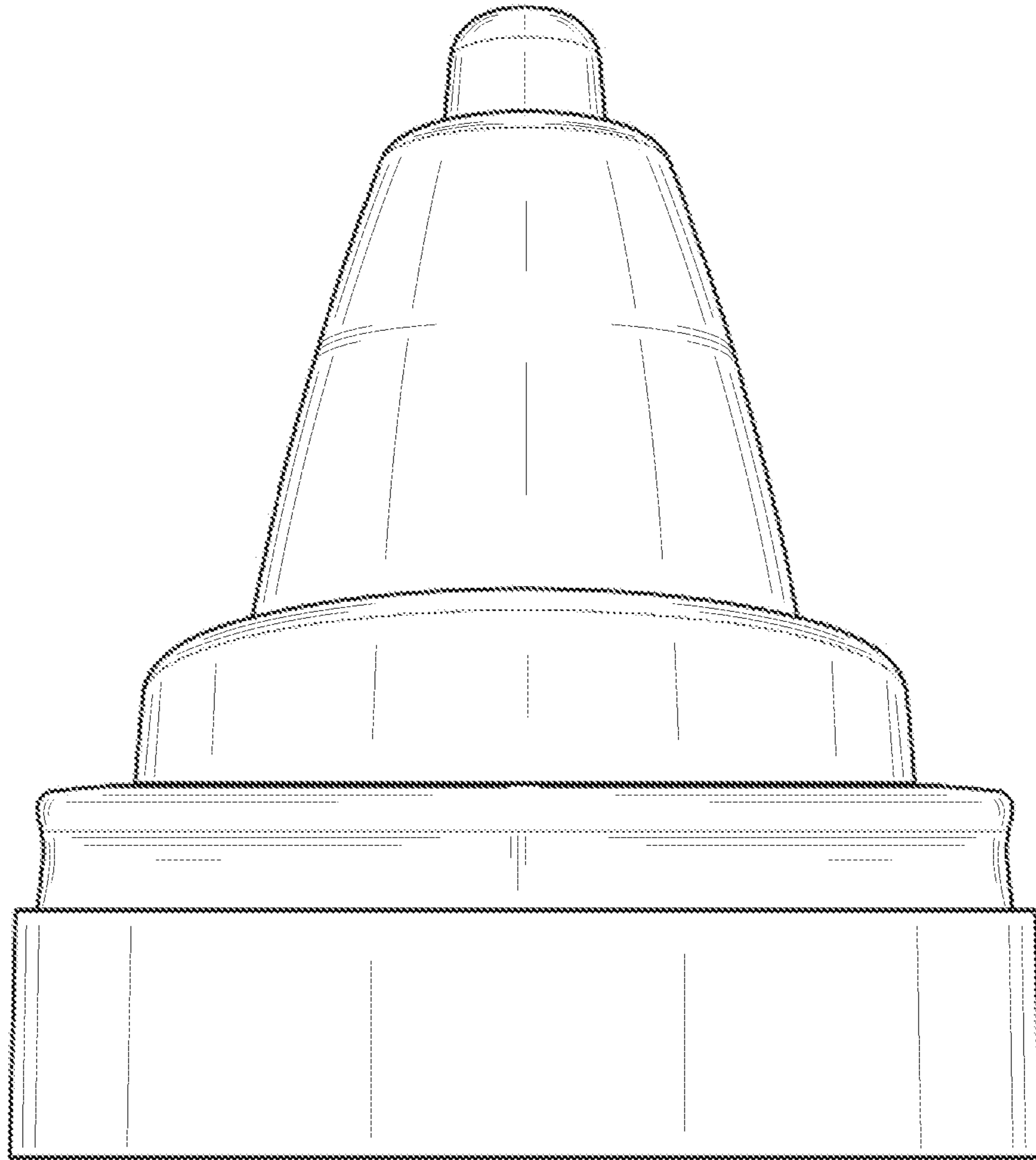


FIG. 2

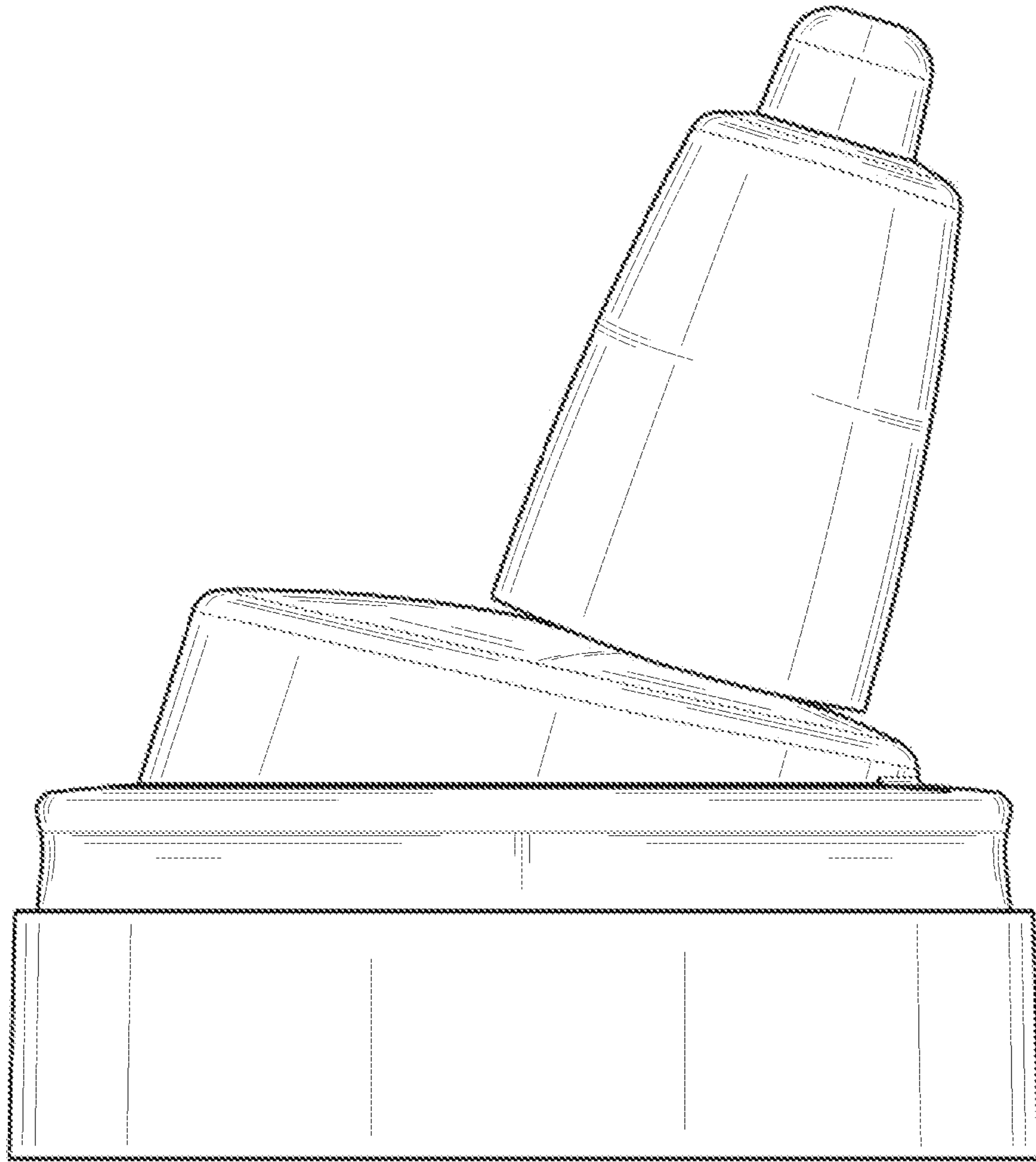


FIG. 3

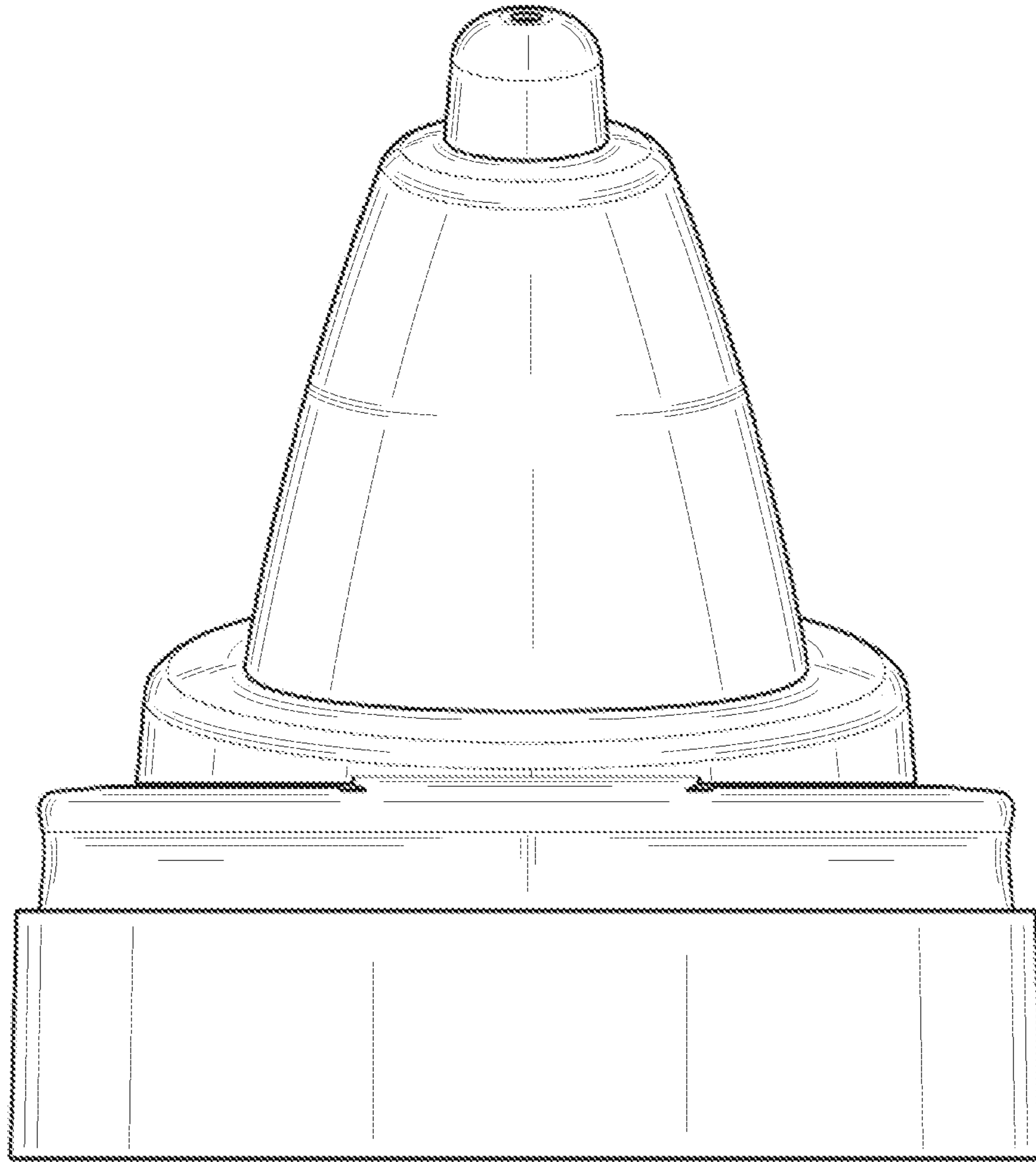


FIG. 4

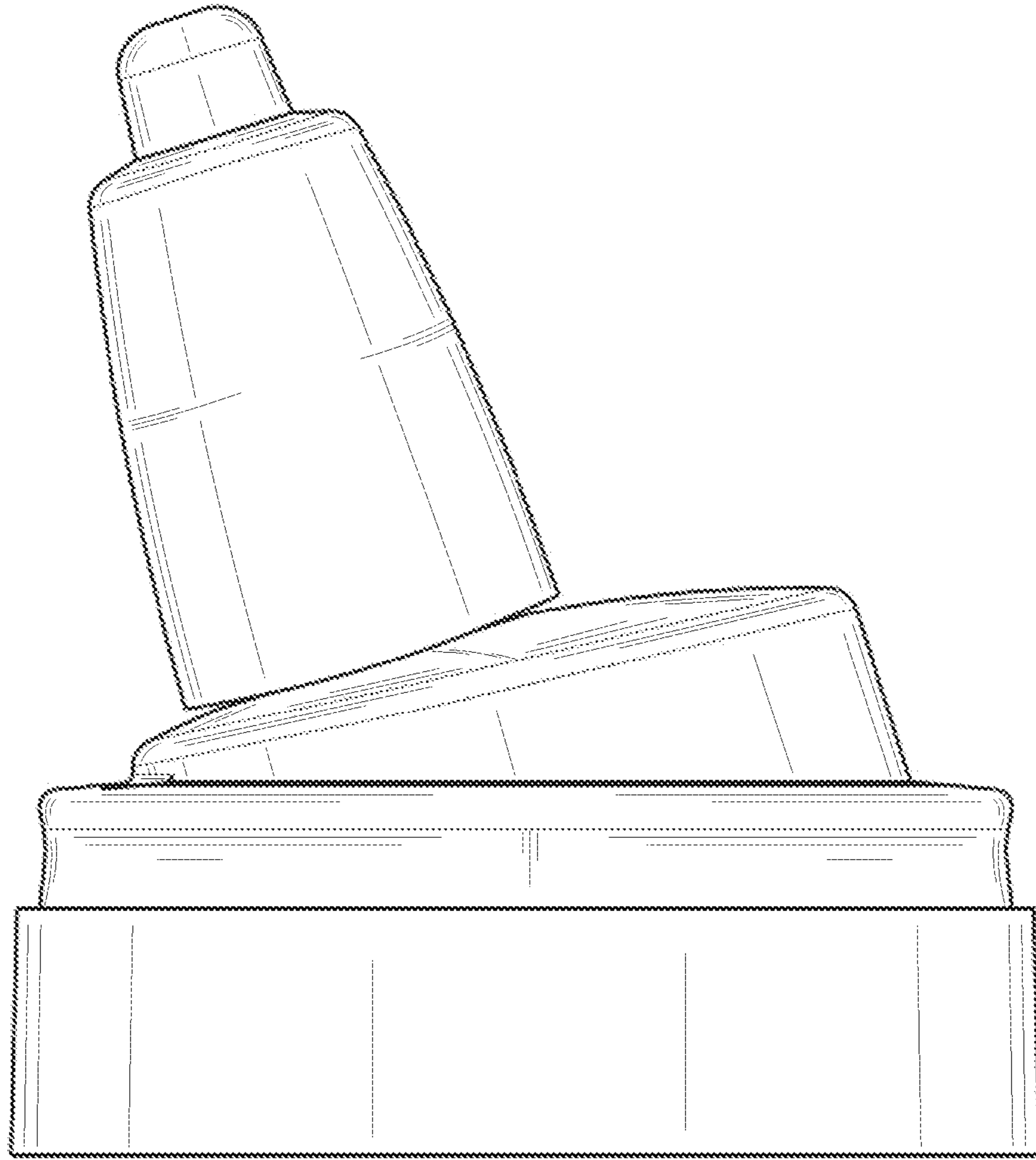


FIG. 5

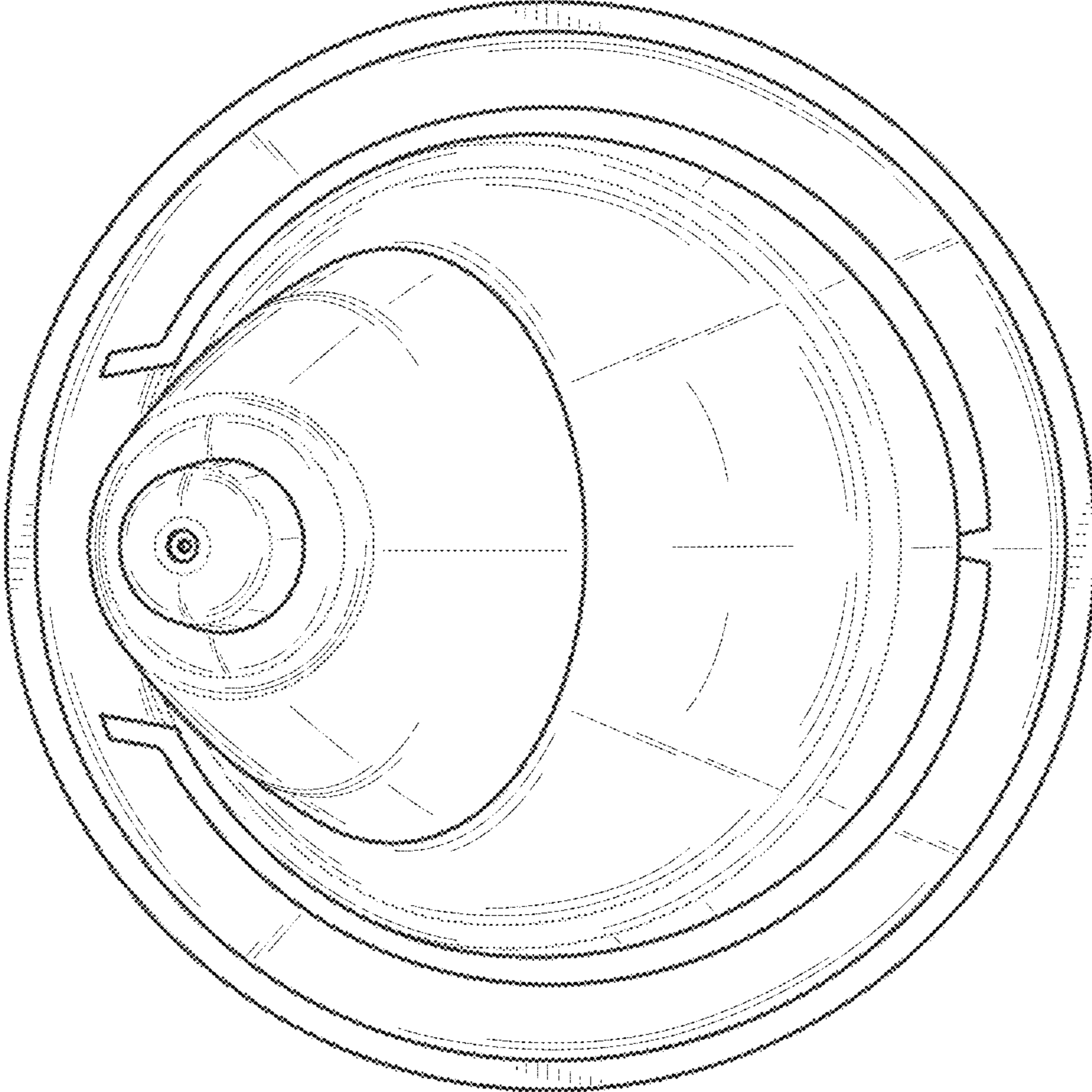


FIG. 6



FIG. 7



FIG. 8



FIG. 9



FIG. 10



FIG. 11

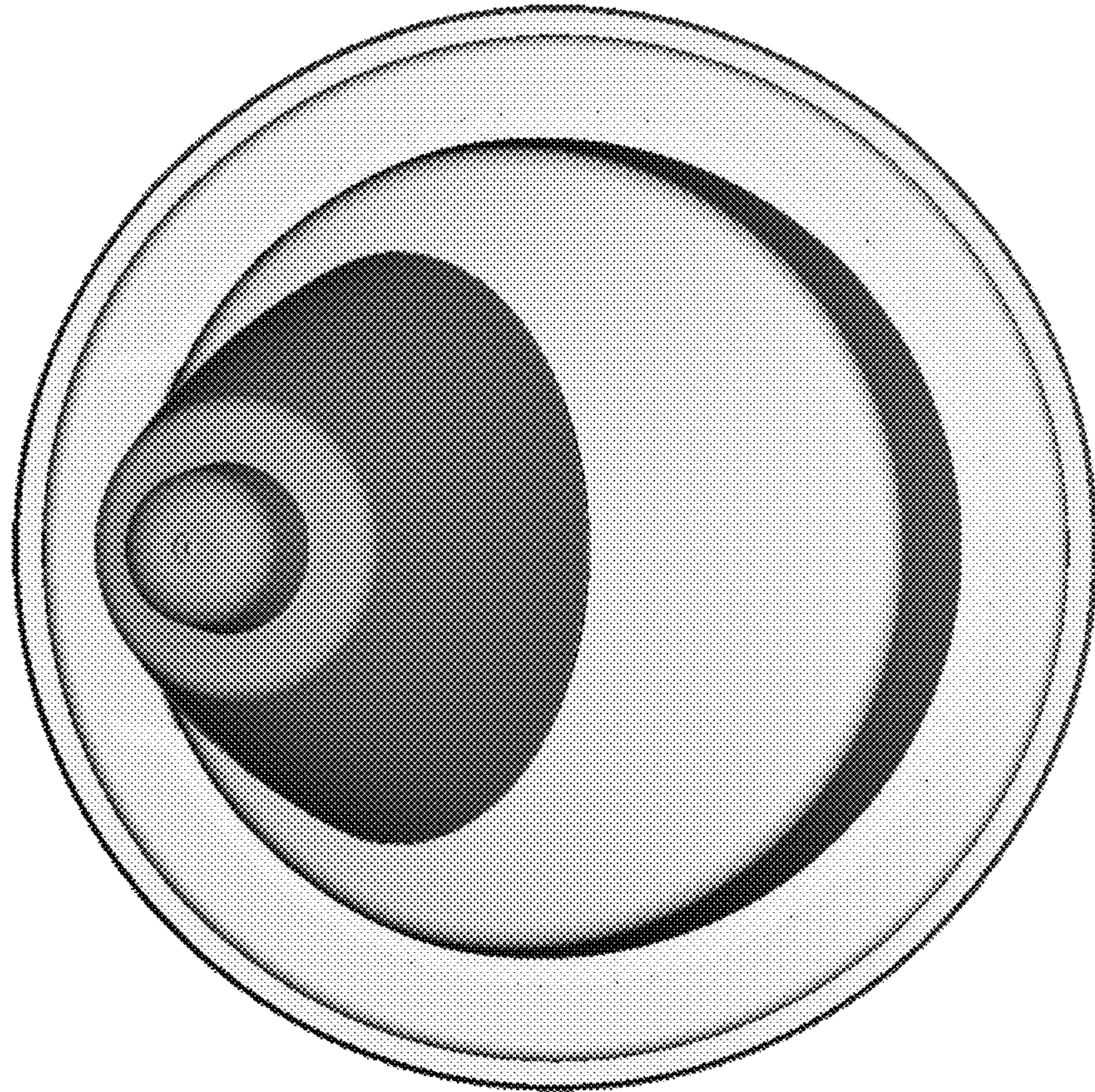


FIG. 12

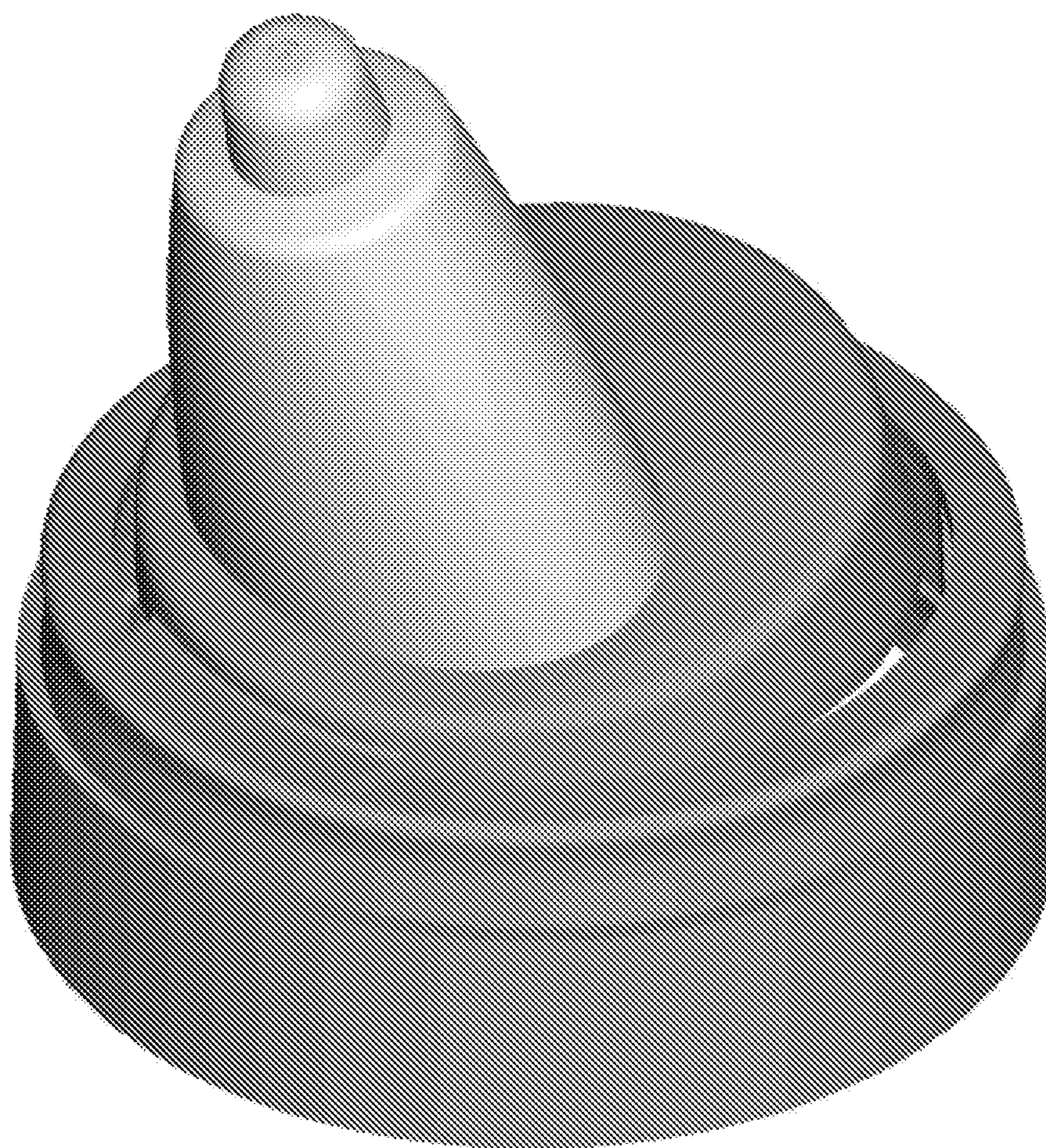


FIG. 13

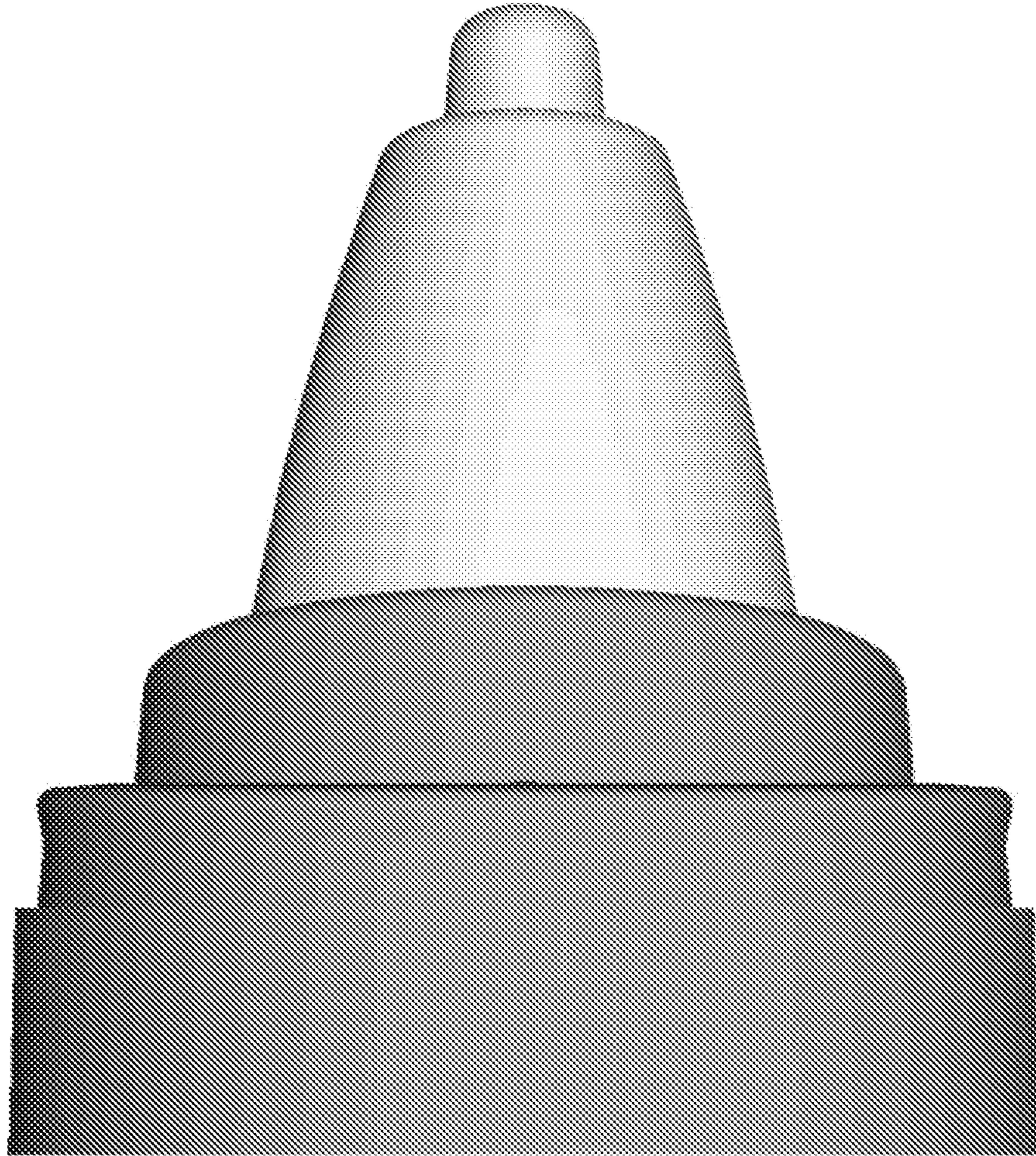


FIG. 14



FIG. 15

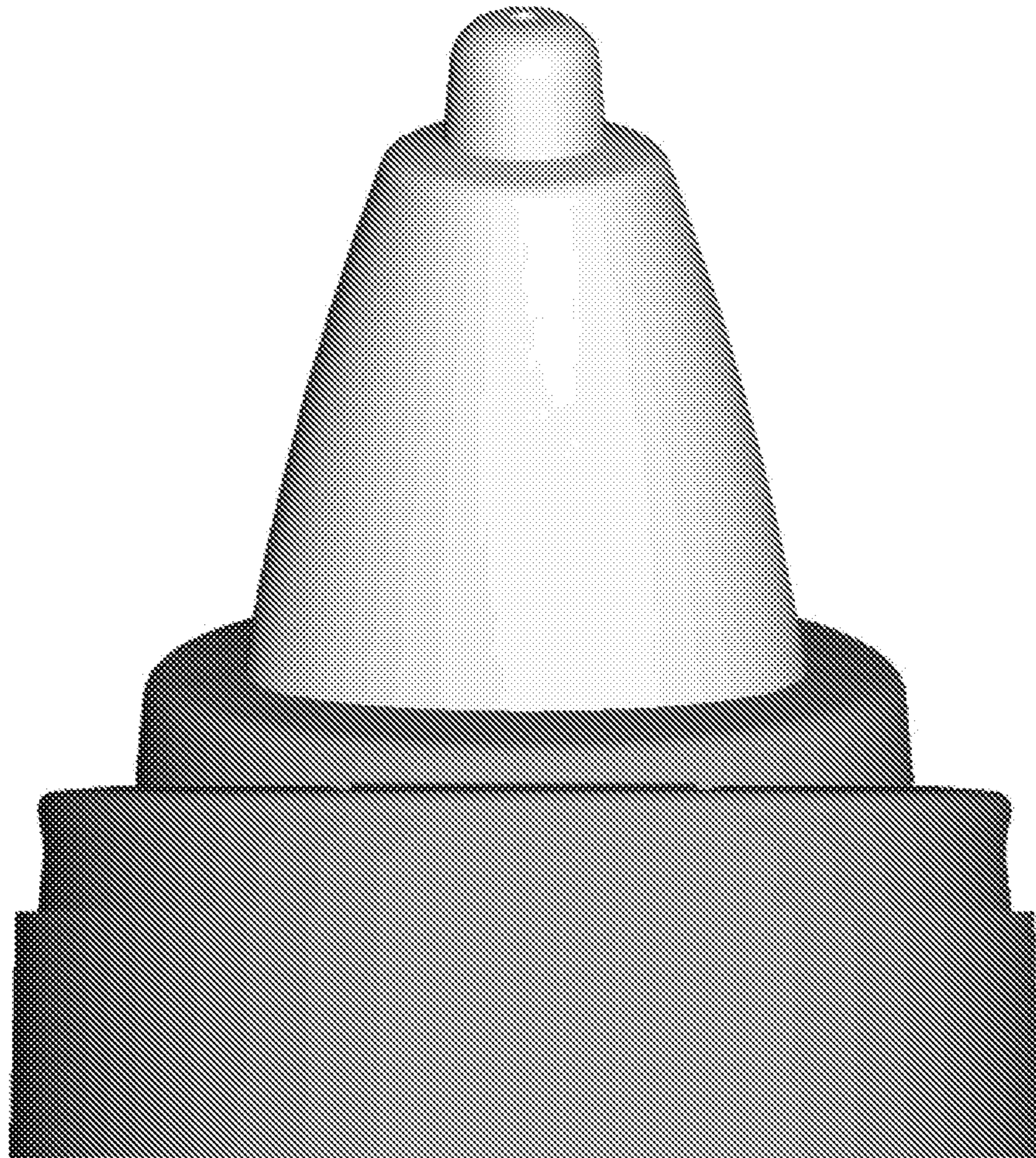


FIG. 16



FIG. 17

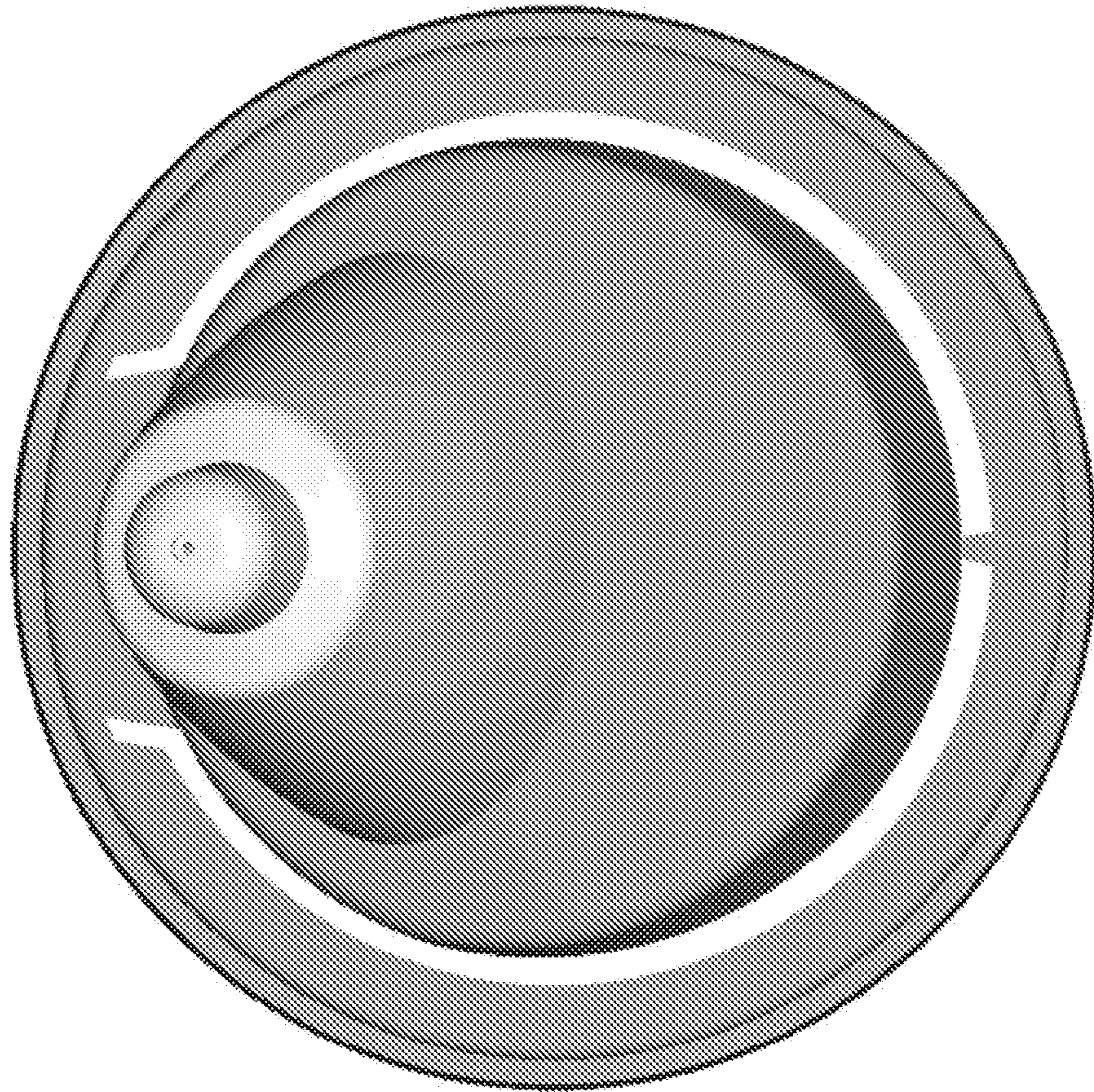


FIG. 18