



US00D935317S

(12) **United States Design Patent** (10) **Patent No.:** **US D935,317 S**
Oh (45) **Date of Patent:** **** Nov. 9, 2021**

(54) **SINGLE-SERVE BEVERAGE POD WITH EXTENDING FLANGE**

(71) Applicant: **DivergentIP, LLC**, Beverly Hills, CA (US)

(72) Inventor: **Sung Oh**, West Covina, CA (US)

(73) Assignee: **DivergentIP, LLC**, Beverly Hills, CA (US)

(**) Term: **15 Years**

(21) Appl. No.: **29/711,650**

(22) Filed: **Nov. 1, 2019**

(51) **LOC (13) Cl.** **07-99**

(52) **U.S. Cl.**
USPC **D9/428; D7/400**

(58) **Field of Classification Search**
USPC D7/300, 316, 387, 397, 399, 400, 401, D7/500, 533, 536, 560-565, 584, 585, D7/590, 600.1, 600.2, 600.4, 601, 602, D7/607, 608, 619.1, 667, 700, 704; D6/677, 677.5, 680, 682; D9/416, 424, D9/425, 427-429, 438, 443, 447, 454, D9/500, 516, 520; D8/392, 396; D23/213, 259, 262; D24/224
CPC .. A47J 31/00; A47J 31/02; A47J 31/06; A47J 31/0605; A47J 31/061; A47J 31/0636; A47J 31/0642; A47J 31/0663; A47J 31/0668; A47J 31/0689; A47J 31/08; A47J 31/20; A47J 31/44; A47J 2031/0694; B65D 85/8043; B65D 85/8046

See application file for complete search history.

(56) **References Cited**

U.S. PATENT DOCUMENTS

D606,363 S *	12/2009	Aardenburg	D7/400
D753,954 S *	4/2016	Schreiber	D7/400
D797,503 S *	9/2017	Robotti	D7/400
D815,925 S *	4/2018	Rapparini	D9/500
D849,536 S *	5/2019	Trombetta	D9/454
D889,907 S *	7/2020	Braukmann	D7/400
D916,248 S *	4/2021	Pettengill	D23/260
D920,097 S *	5/2021	Rapparini	D9/428

OTHER PUBLICATIONS

Amazon Brand—100 Ct. Solimo Variety Pack Light and Medium Roast Coffee Pods, Amazon, [online], [site visited Apr. 15, 2021], Available from internet URL: <https://www.amazon.com/Amazon-Brand-Cappuccino-Assorted-Breakfast/dp/B07P48JYC9> (Year: 2021).*

* cited by examiner

Primary Examiner — Mary Ann Calabrese
Assistant Examiner — Natalya M Rapundalo
(74) *Attorney, Agent, or Firm* — Blue Capital Law Firm, P.C.

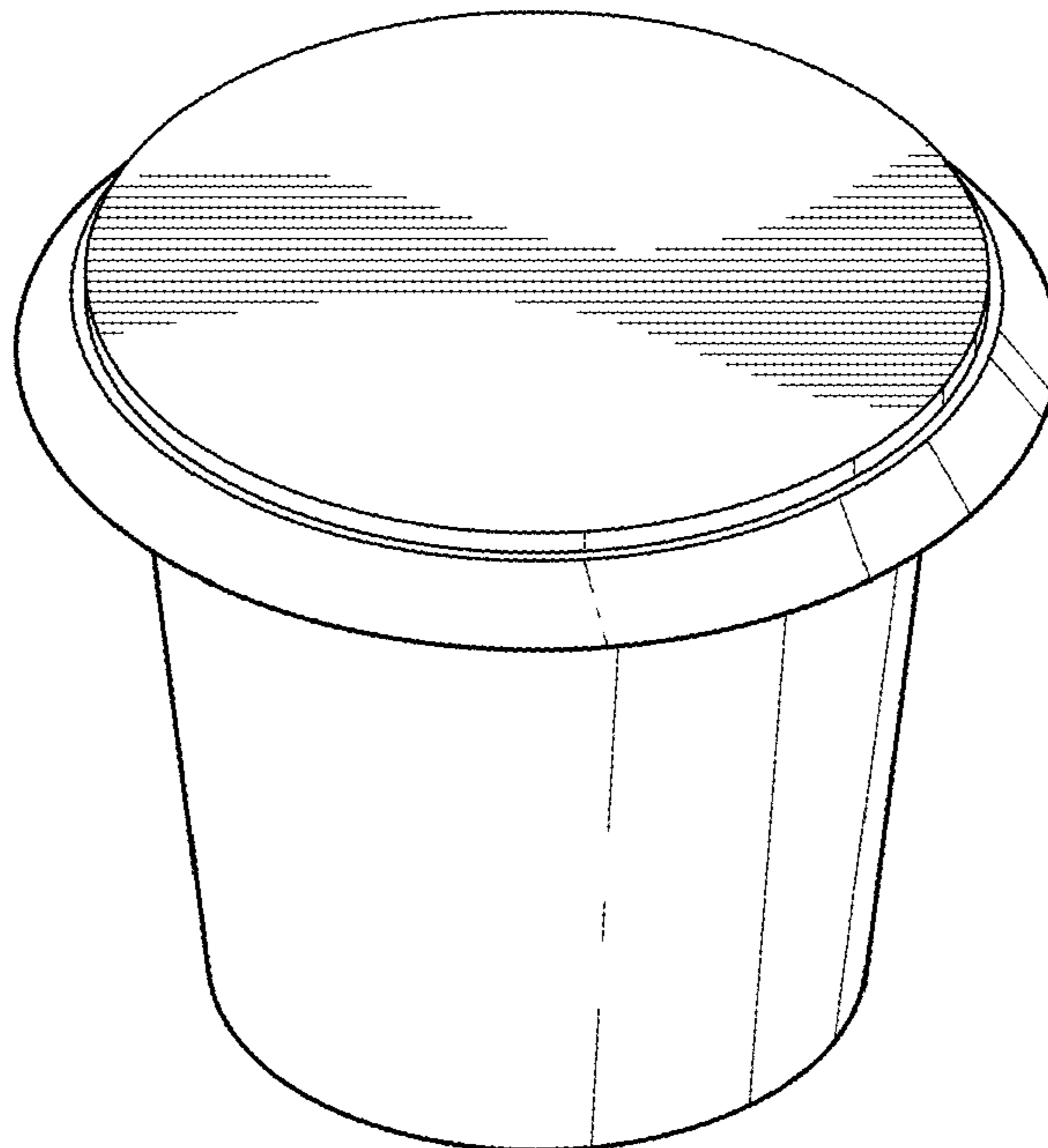
(57) **CLAIM**

The ornamental design for a single-serve beverage pod with extending flange, as shown and described.

DESCRIPTION

FIG. 1 is a perspective view of a single-serve beverage pod with extending flange;
FIG. 2 is a side view with the opposite view being a mirror image thereof;
FIG. 3 is a top view thereof; and,
FIG. 4 is a bottom view thereof.

1 Claim, 1 Drawing Sheet



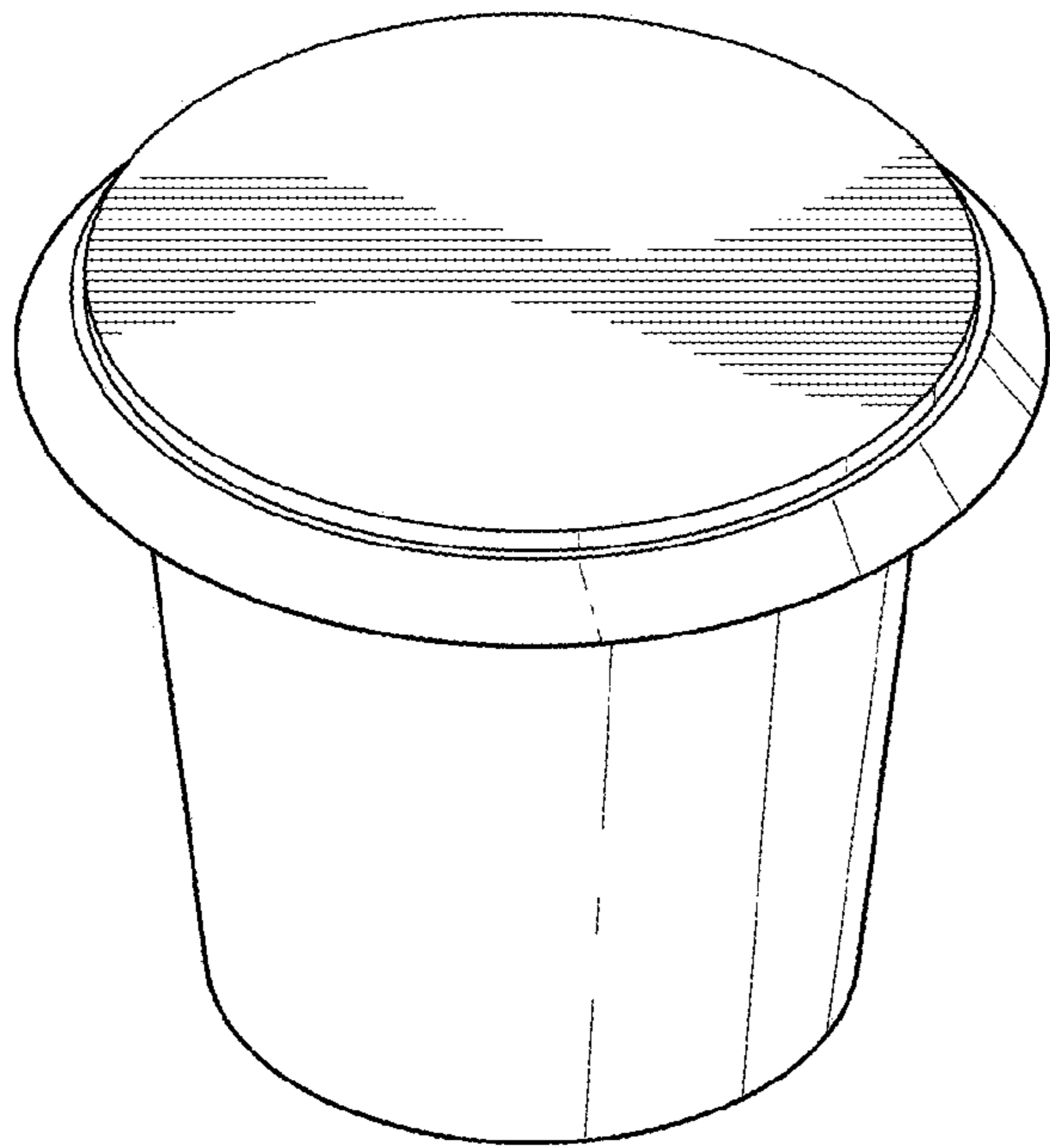


FIG. 1

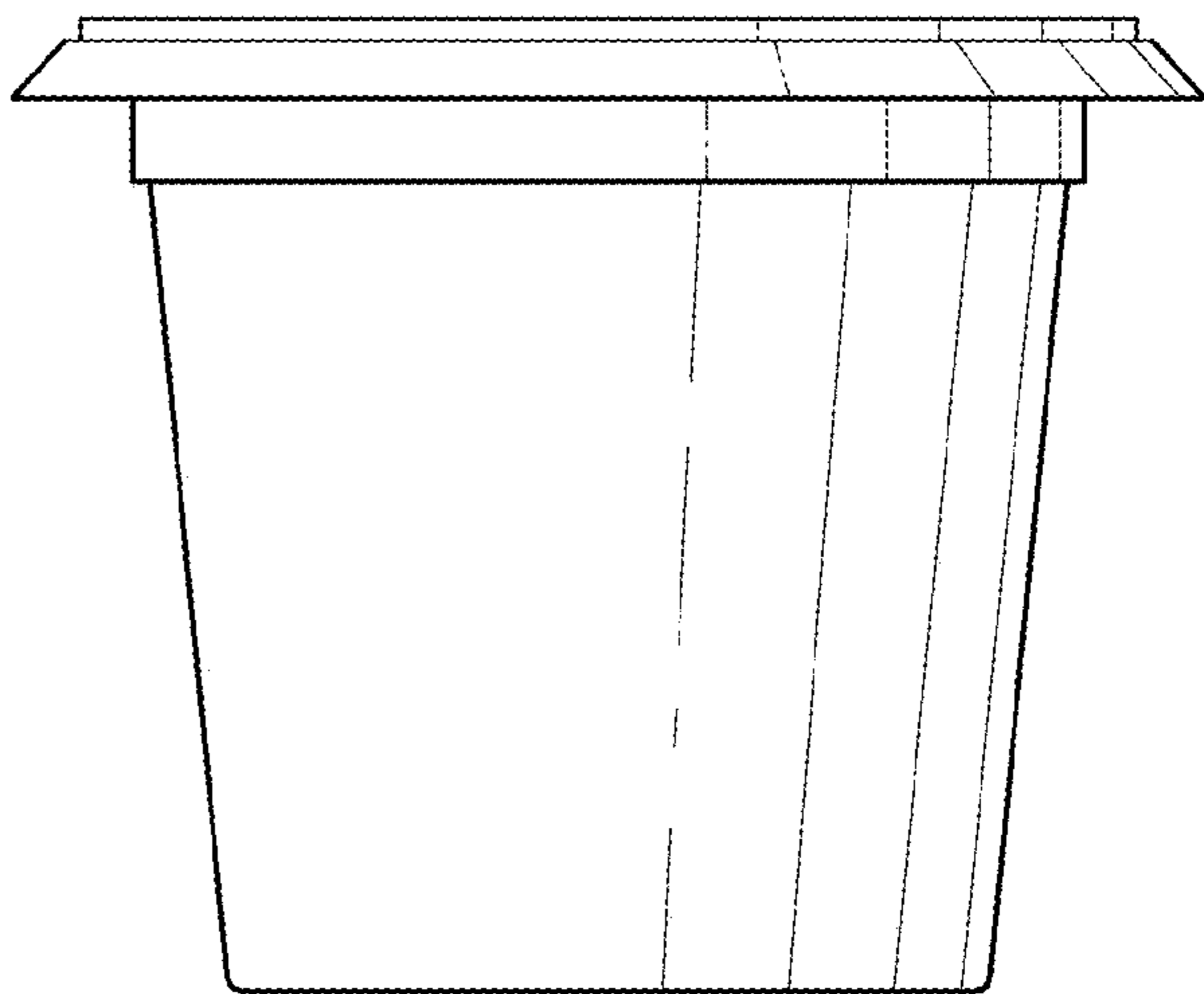


FIG. 2

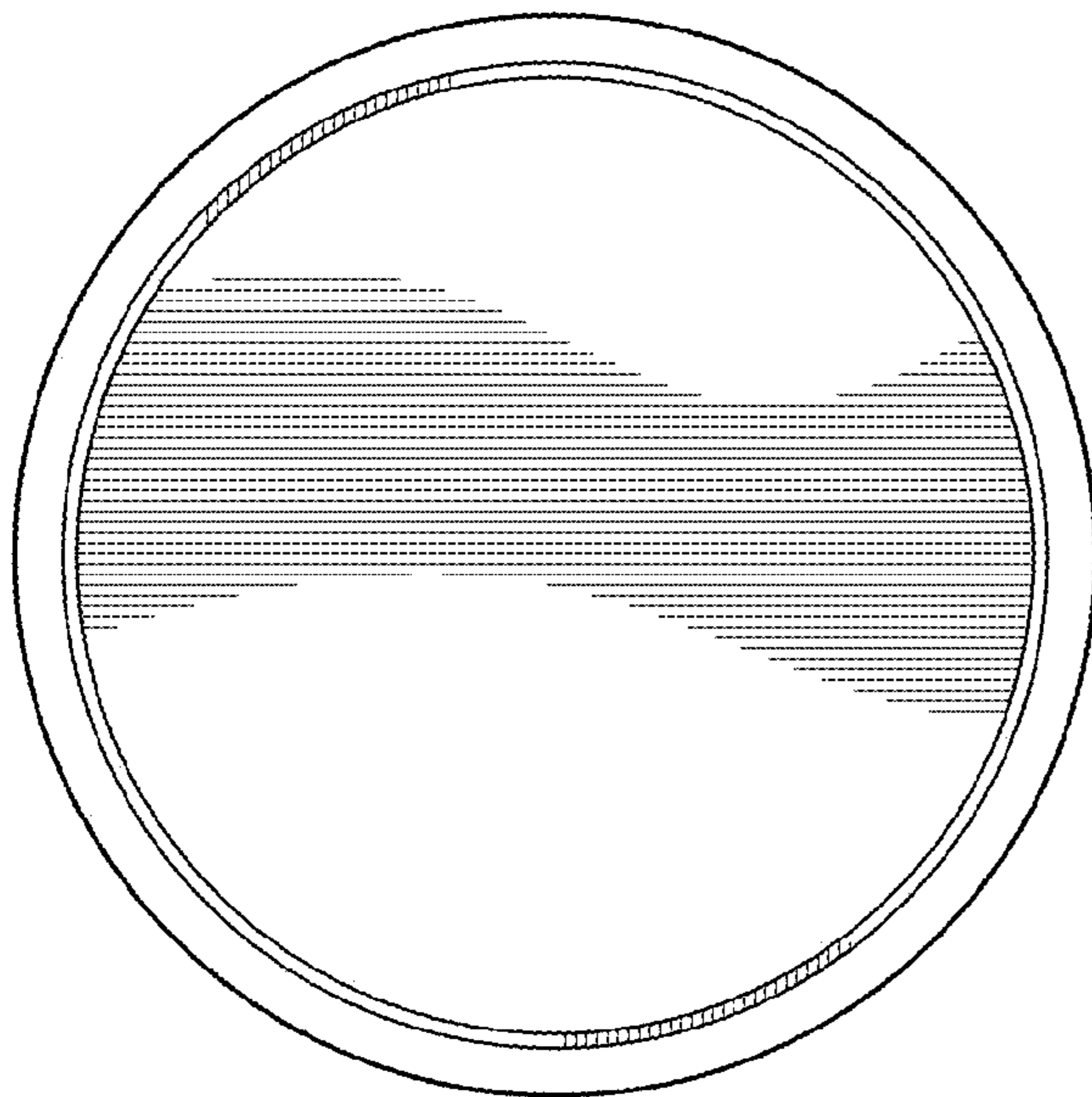


FIG. 3

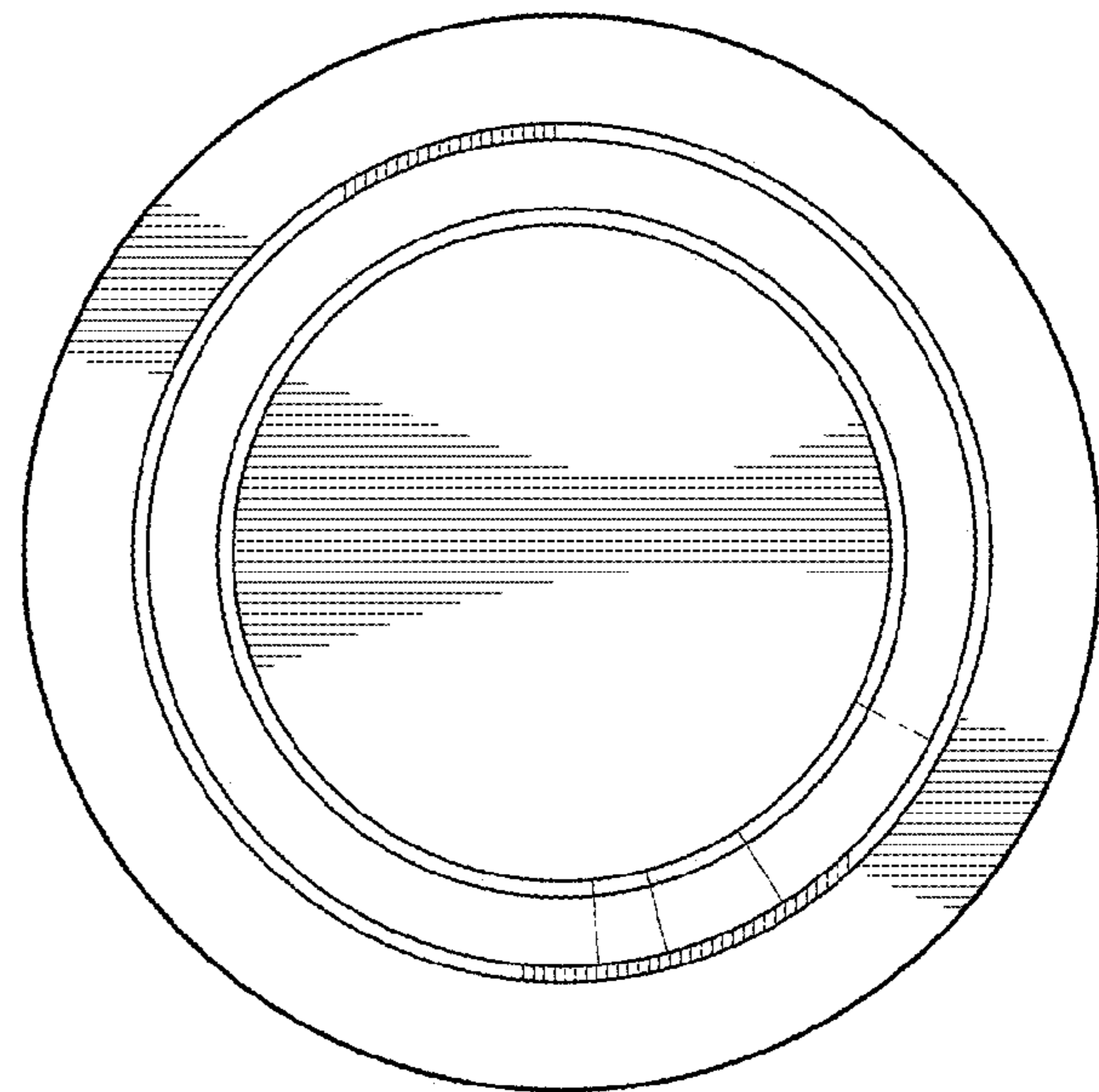


FIG. 4