



US00D935316S

(12) **United States Design Patent** (10) **Patent No.:** **US D935,316 S**  
**Akana et al.** (45) **Date of Patent:** **\*\* Nov. 9, 2021**

(54) **PACKAGING WITH ACCESSORY**

(71) Applicant: **Apple Inc.**, Cupertino, CA (US)

(72) Inventors: **Jody Akana**, San Francisco, CA (US); **Molly Anderson**, San Francisco, CA (US); **Bartley K. Andre**, Palo Alto, CA (US); **Shota Aoyagi**, San Francisco, CA (US); **Anthony Michael Ashcroft**, San Francisco, CA (US); **Marine C. Bataille**, San Francisco, CA (US); **Jeremy Bataillou**, San Francisco, CA (US); **Daniele De Iuliis**, San Francisco, CA (US); **Markus Diebel**, San Francisco, CA (US); **M. Evans Hankey**, San Francisco, CA (US); **Julian Hoenig**, San Francisco, CA (US); **Richard P. Howarth**, San Francisco, CA (US); **Jonathan P. Ive**, San Francisco, CA (US); **Julian Jaede**, San Francisco, CA (US); **Duncan Robert Kerr**, San Francisco, CA (US); **Peter Russell-Clarke**, San Francisco, CA (US); **Benjamin Andrew Shaffer**, San Jose, CA (US); **Mikael Silvano**, San Francisco, CA (US); **Christopher J. Stringer**, Woodside, CA (US); **Joe Sung-Ho Tan**, San Francisco, CA (US); **Clement Tissandier**, San Francisco, CA (US); **Eugene Antony Wang**, San Francisco, CA (US); **Rico Zörkendörfer**, San Francisco, CA (US)

(73) Assignee: **Apple Inc.**, Cupertino, CA (US)

(\*\*) Term: **15 Years**

(21) Appl. No.: **29/780,695**

(22) Filed: **Apr. 26, 2021**

**Related U.S. Application Data**

(63) Continuation of application No. 29/751,357, filed on Sep. 21, 2020, now Pat. No. Des. 917,303, which is (Continued)

(51) **LOC (13) Cl.** ..... **09-03**

(52) **U.S. Cl.**  
USPC ..... **D9/418; D9/721; D9/415**

(58) **Field of Classification Search**  
USPC ..... **D9/414, 415, 418, 423, 424, 425, 426, D9/430, 432, 433, 455, 456, 457, 715,**  
(Continued)

(56) **References Cited**

**U.S. PATENT DOCUMENTS**

1,315,593 A 9/1919 Binder  
D211,712 S 7/1968 Martini  
(Continued)

*Primary Examiner* — Lauren R Calve

(74) *Attorney, Agent, or Firm* — Sterne, Kessler, Goldstein & Fox P.L.L.C.

(57) **CLAIM**

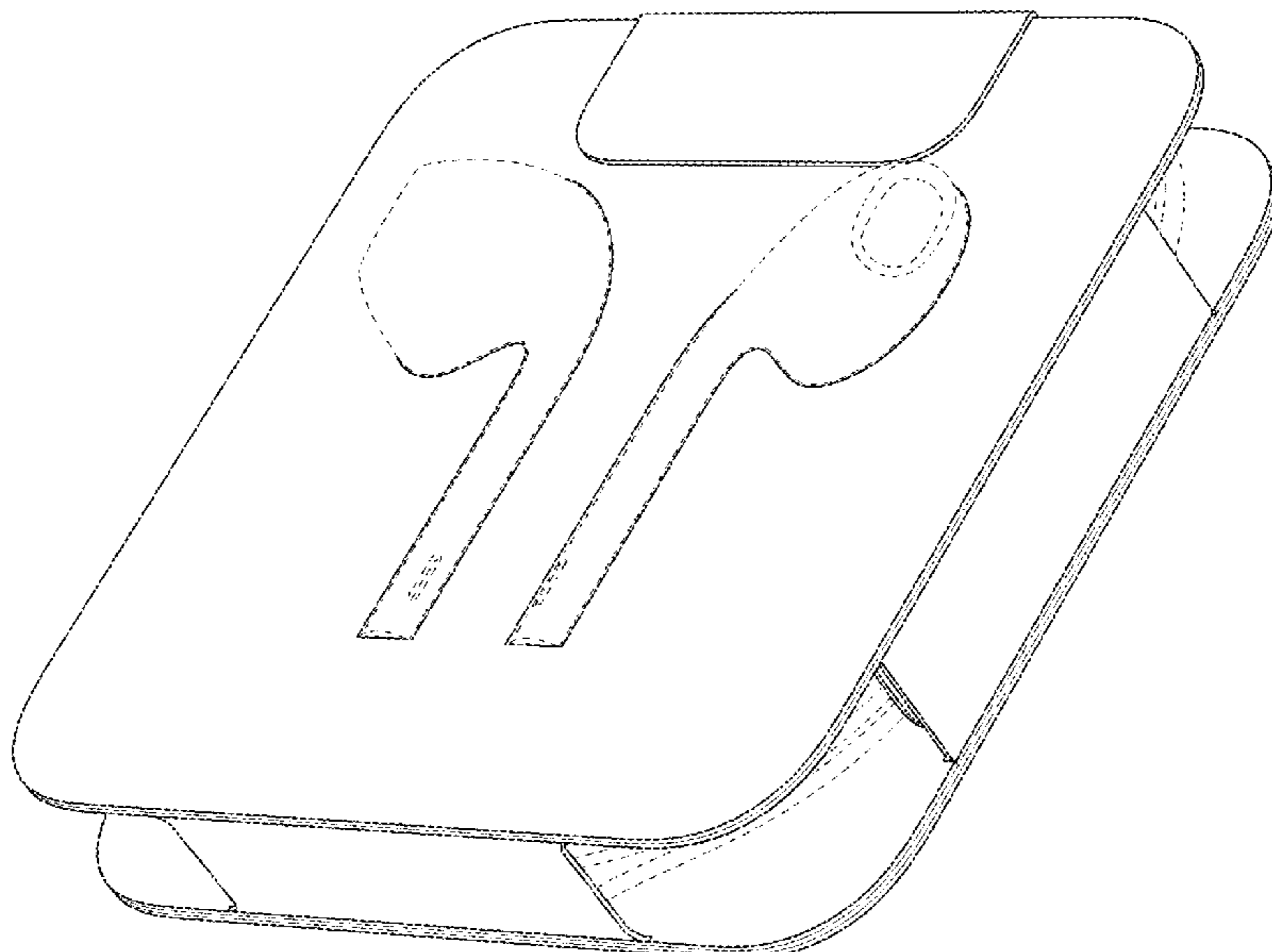
The ornamental design for packaging with accessory, as shown and described.

**DESCRIPTION**

FIG. 1 is a bottom front perspective view of packaging with accessory showing the claimed design;  
FIG. 2 is a front view thereof;  
FIG. 3 is a rear view thereof;  
FIG. 4 is a left side view thereof;  
FIG. 5 is a right side view thereof;  
FIG. 6 is a bottom view thereof; and,  
FIG. 7 is a top view thereof.

The broken lines in the figures show portions of the packaging with accessory that form no part of the claimed design.

**1 Claim, 5 Drawing Sheets**



**Related U.S. Application Data**

a continuation of application No. 29/706,554, filed on Sep. 20, 2019, now Pat. No. Des. 896,629, which is a continuation of application No. 29/670,716, filed on Nov. 19, 2018, now Pat. No. Des. 861,498, which is a continuation of application No. 29/632,039, filed on Jan. 4, 2018, now Pat. No. Des. 833,887, which is a continuation of application No. 29/575,695, filed on Aug. 26, 2016, now Pat. No. Des. 808,281.

(58) **Field of Classification Search**

USPC ..... D9/721, 756; D14/223; D3/201; D8/356  
 CPC ..... B65D 5/4204; B65D 2571/0066; B65D 1/36; B65D 71/0003; B65D 1/34; B65D 77/24; B65D 75/327; B65D 71/70; B65D 85/00; B65D 75/32; B65D 75/36; B65D 5/5038; B65D 75/30; B65D 81/36; B65D 2501/24019; B65D 25/54; B65D 5/2033; B65D 75/14; B65D 2571/0029; B65D 75/367; B65D 75/323; B65D 25/04; B65D 2543/00194; B65D 5/566; B65D 5/503; B65D 5/5028; B65D 77/003; B65D 81/3453; B65D 81/133; B65D 77/0433; B65D 21/0233

See application file for complete search history.

(56) **References Cited**

U.S. PATENT DOCUMENTS

D221,840 S 9/1971 Freiman  
 D273,178 S 3/1984 Dunlap  
 4,542,822 A 9/1985 Kennedy, Jr. et al.  
 4,938,344 A 7/1990 McHale et al.  
 D311,684 S 10/1990 Newell et al.  
 5,394,983 A 3/1995 Latulippe et al.  
 5,462,170 A 10/1995 Colgate  
 D369,295 S 4/1996 Kobari et al.  
 5,602,612 A 2/1997 Angeli et al.  
 5,730,294 A 3/1998 Blosser et al.  
 D397,865 S 9/1998 Lin  
 5,887,720 A 3/1999 Lin  
 5,950,830 A 9/1999 Trigger  
 5,967,327 A 10/1999 Jones  
 5,984,224 A 11/1999 Yang  
 D442,803 S 5/2001 Hatch  
 6,305,539 B1 10/2001 Sanders, Jr.  
 6,571,956 B2 6/2003 Mann  
 D506,744 S 6/2005 Andre et al.  
 D531,025 S 10/2006 Tanner  
 D542,123 S 5/2007 Symons  
 D549,557 S 8/2007 Mori et al.  
 D556,019 S 11/2007 Symons  
 D569,233 S 5/2008 Kishimoto et al.  
 D580,752 S 11/2008 Andre et al.  
 D601,009 S 9/2009 Shinn  
 D601,884 S 10/2009 Andre et al.  
 D603,376 S 11/2009 Blasko  
 D604,501 S 11/2009 Lee  
 D607,317 S 1/2010 Collins  
 D620,781 S 8/2010 Weckworth  
 D621,256 S 8/2010 Andre et al.  
 D633,388 S 3/2011 Andre et al.  
 D649,449 S 11/2011 Akana et al.  
 D658,492 S 5/2012 Akana et al.  
 D659,530 S 5/2012 Akana et al.  
 D668,143 S 10/2012 Akana et al.  
 D672,660 S 12/2012 Vural  
 D681,015 S 4/2013 Akana et al.  
 D684,539 S 6/2013 Akana et al.  
 D685,771 S 7/2013 Bertenthal  
 8,534,463 B2 9/2013 Smith  
 D691,594 S 10/2013 Akana et al.

8,564,436 B2 10/2013 Oleen  
 D694,249 S 11/2013 Akana et al.  
 D696,144 S 12/2013 Akana et al.  
 8,602,254 B2 12/2013 Ki  
 D699,188 S 2/2014 Akana et al.  
 8,668,160 B2 3/2014 Cheng  
 D704,072 S 5/2014 Akana et al.  
 D704,073 S 5/2014 Akana et al.  
 D706,643 S 6/2014 Akana et al.  
 D709,384 S 7/2014 Vural  
 8,811,646 B1 8/2014 Romeo  
 D712,279 S 9/2014 Akana et al.  
 D712,748 S 9/2014 Akana et al.  
 D713,738 S 9/2014 Akana et al.  
 D713,739 S 9/2014 Akana et al.  
 D719,960 S 12/2014 Akana et al.  
 D720,330 S 12/2014 Stevinson  
 D720,718 S 1/2015 Stevinson  
 D722,264 S 2/2015 Saideh  
 D722,497 S 2/2015 Saideh  
 D723,792 S 3/2015 Anderson et al.  
 D739,657 S 9/2015 Hsieh et al.  
 D740,653 S 10/2015 Akana et al.  
 D744,855 S 12/2015 Akana et al.  
 D752,521 S 3/2016 Place  
 D758,841 S 6/2016 Russo  
 D782,327 S 3/2017 Akana et al.  
 D796,968 S 9/2017 Akana et al.  
 D799,316 S 10/2017 Thain et al.  
 D801,314 S 10/2017 Akana et al.  
 D807,761 S 1/2018 Akana et al.  
 D808,281 S 1/2018 Akana et al.  
 9,877,098 B1 1/2018 Riley et al.  
 9,975,692 B2 5/2018 Pincus et al.  
 10,003,880 B2 6/2018 Wagman et al.  
 D829,551 S 10/2018 Akana et al.  
 D831,467 S 10/2018 Crichton et al.  
 D833,887 S 11/2018 Akana et al.  
 10,179,691 B2 \* 1/2019 McCarren ..... B65H 55/00  
 10,209,769 B2 2/2019 Goossens et al.  
 D843,340 S 3/2019 Lavin, Jr.  
 10,279,971 B2 5/2019 McCarren et al.  
 D860,810 S 9/2019 Akana et al.  
 D861,475 S 10/2019 Giwani  
 D861,498 S 10/2019 Akana et al.  
 D862,218 S 10/2019 Giwani  
 D865,511 S 11/2019 Giwani  
 D869,269 S 12/2019 Giwani  
 D870,451 S 12/2019 Birger  
 10,497,176 B2 12/2019 Chung et al.  
 D871,894 S \* 1/2020 Brett ..... D8/356  
 D875,519 S \* 2/2020 Giwani ..... D9/418  
 D876,242 S \* 2/2020 Akana ..... D9/737  
 D889,956 S \* 7/2020 Uyeda ..... D9/418  
 D896,067 S \* 9/2020 Giwani ..... D9/418  
 D896,629 S 9/2020 Akana et al.  
 D904,762 S \* 12/2020 Koneru ..... D3/274  
 D909,863 S \* 2/2021 Thain ..... D9/418  
 D917,303 S \* 4/2021 Akana ..... D9/721  
 D921,492 S \* 6/2021 Uyeda ..... D9/715  
 2003/0106823 A1 6/2003 Liao  
 2005/0123164 A1 6/2005 Yao et al.  
 2005/0194021 A1 9/2005 Byun  
 2007/0020993 A1 1/2007 Symons  
 2007/0051662 A1 3/2007 Sax et al.  
 2008/0273294 A1 11/2008 Tseng  
 2009/0285436 A1 11/2009 Lowry  
 2010/0320961 A1 12/2010 Castillo et al.  
 2011/0317865 A1 12/2011 Stevinson  
 2012/0128193 A1 5/2012 Stevinson  
 2013/0114231 A1 5/2013 Cheng  
 2013/0134252 A1 5/2013 Cheng  
 2013/0237290 A1 9/2013 Simmons, Jr. et al.  
 2013/0265702 A1 10/2013 Merenda  
 2014/0105441 A1 4/2014 Kroupa  
 2014/0233783 A1 8/2014 Chardon et al.  
 2017/0031164 A1 2/2017 Costa et al.

(56)

**References Cited**

U.S. PATENT DOCUMENTS

2017/0031165 A1 2/2017 Costa et al.  
2017/0060262 A1 3/2017 Hviid et al.

\* cited by examiner

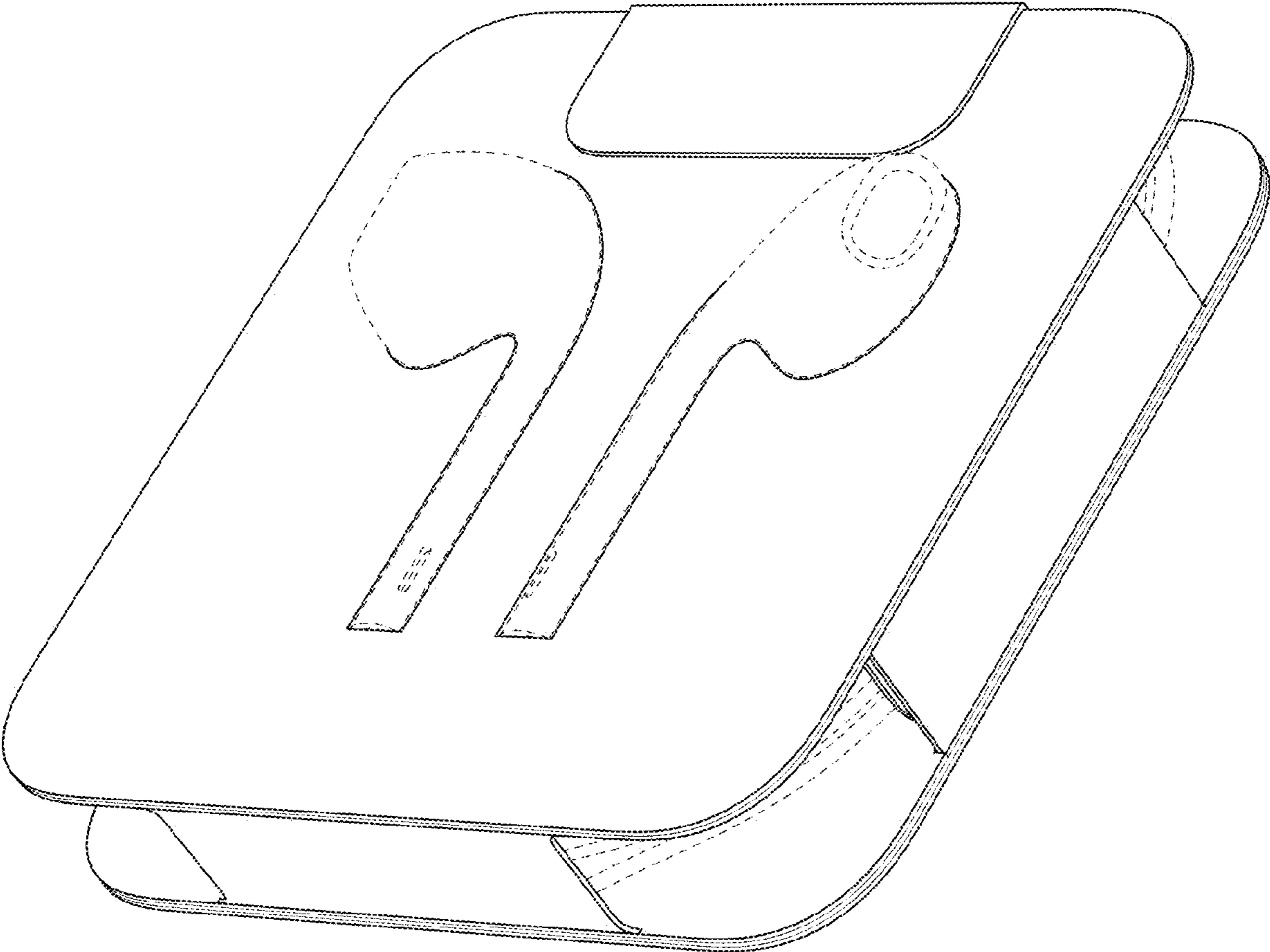


FIG. 1

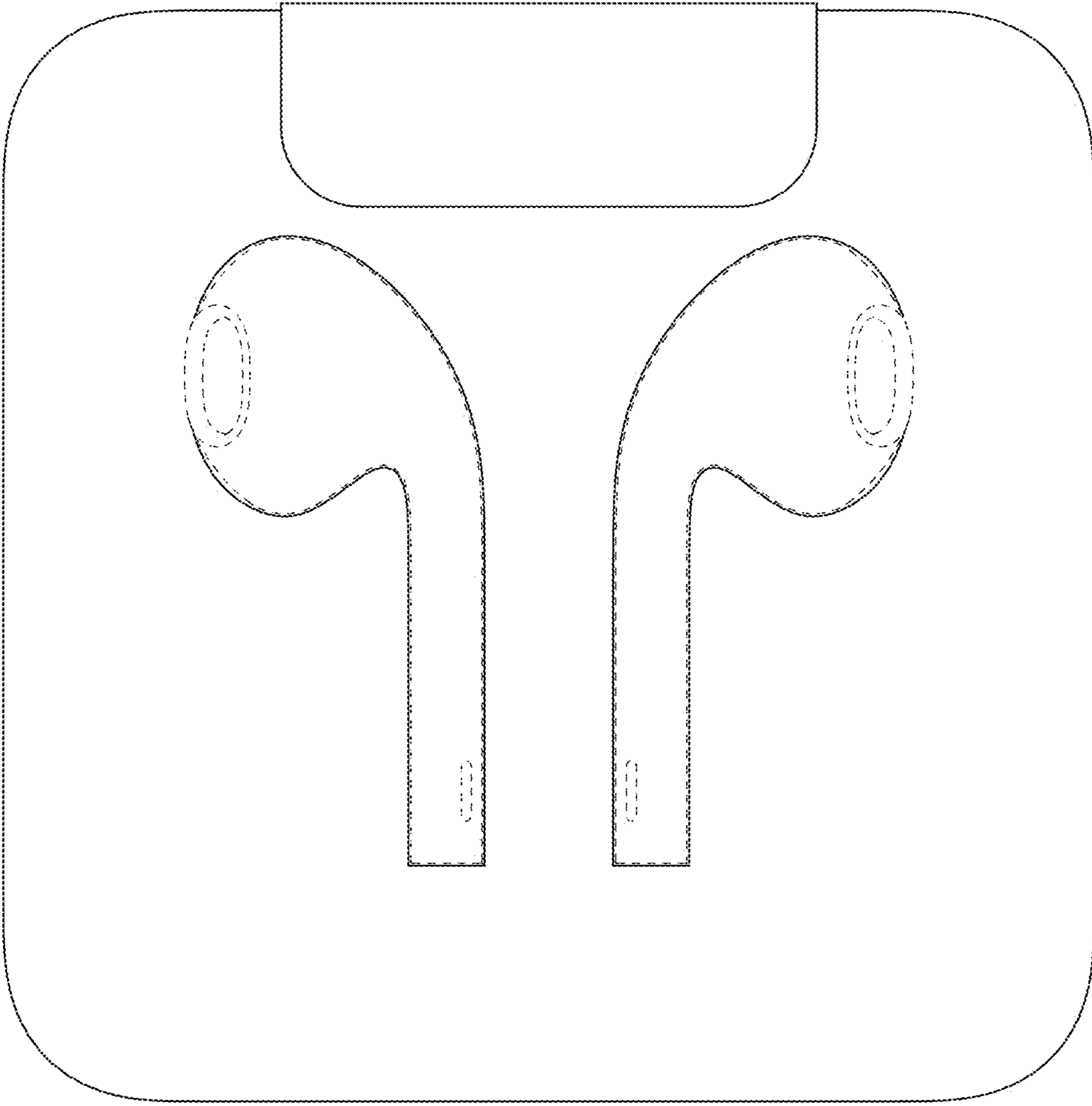


FIG. 2

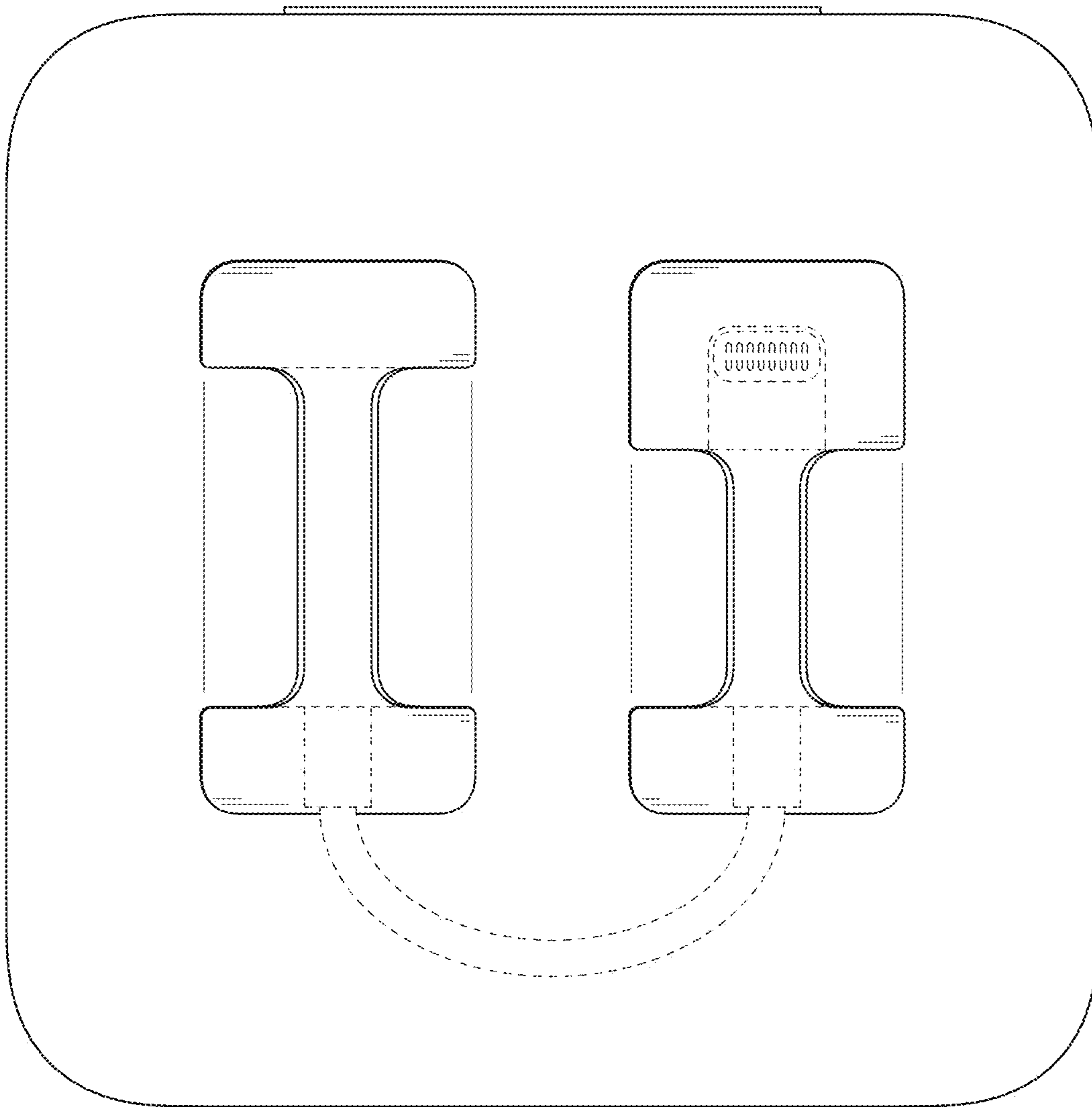
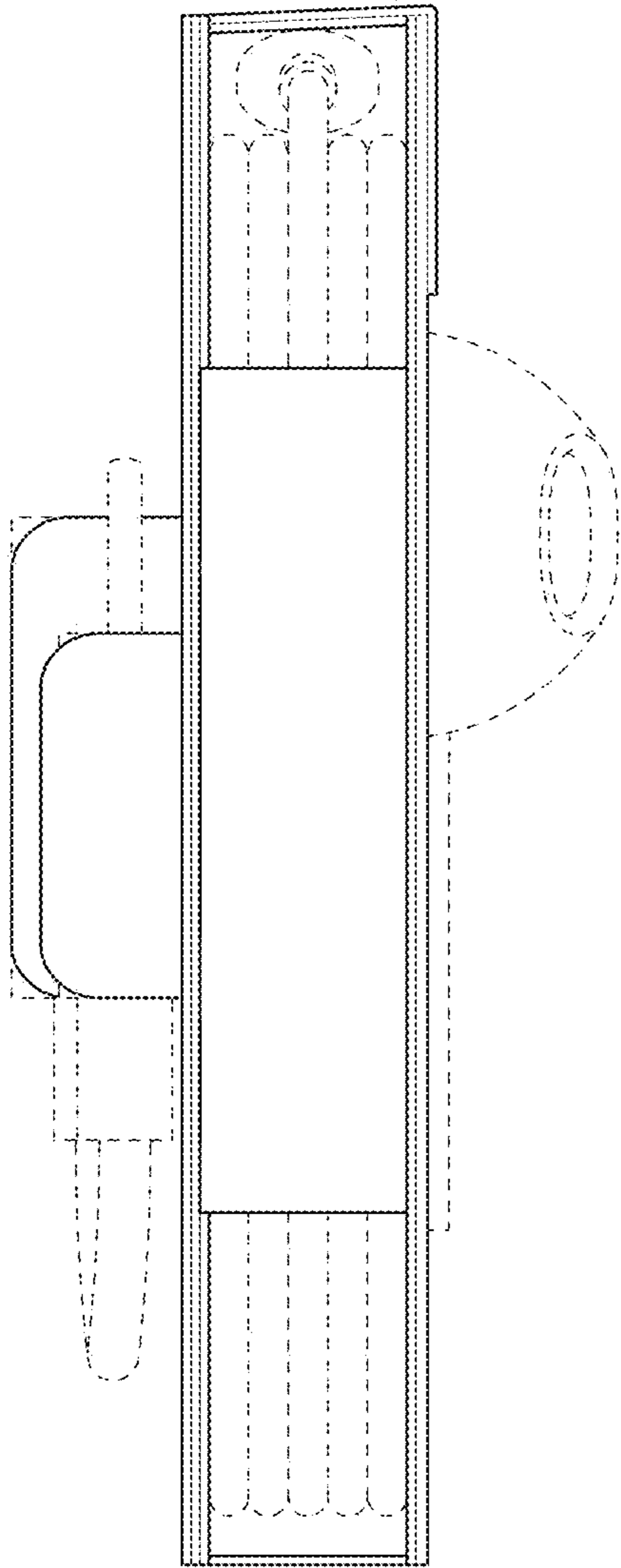
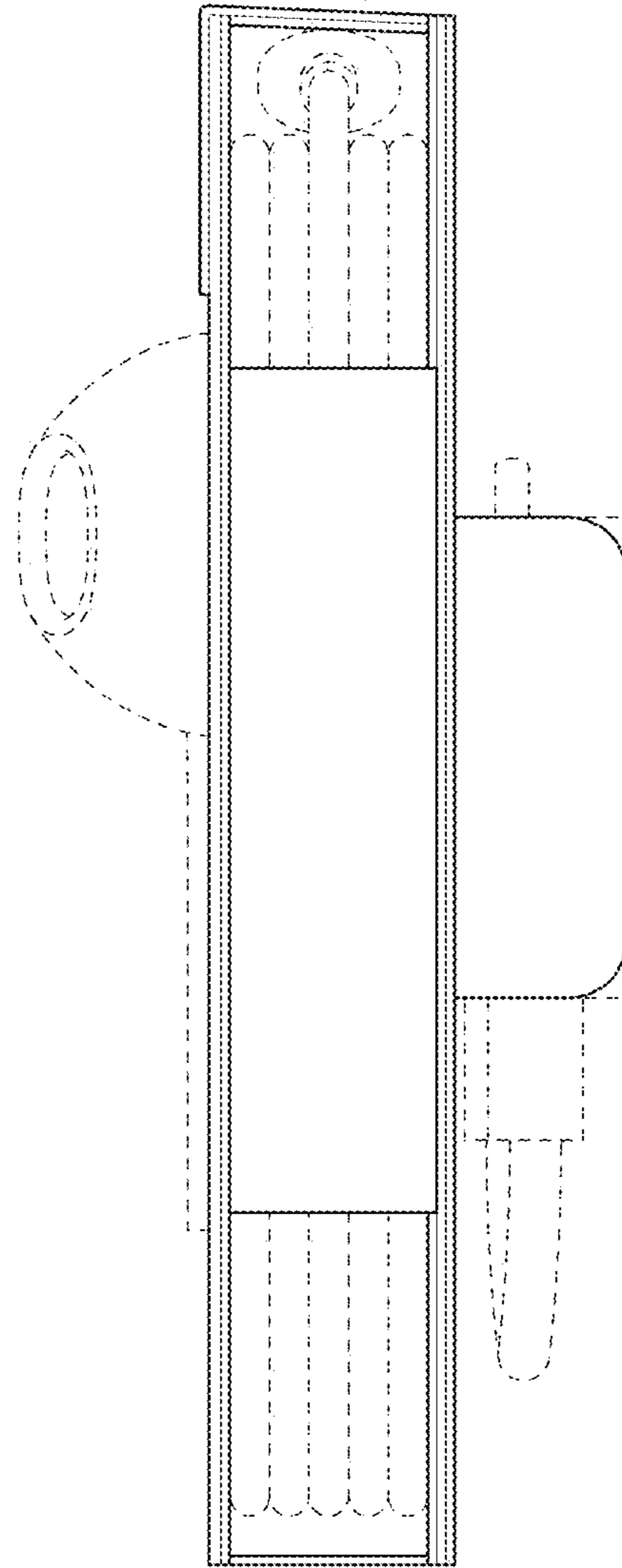


FIG. 3



**FIG. 4**



**FIG. 5**

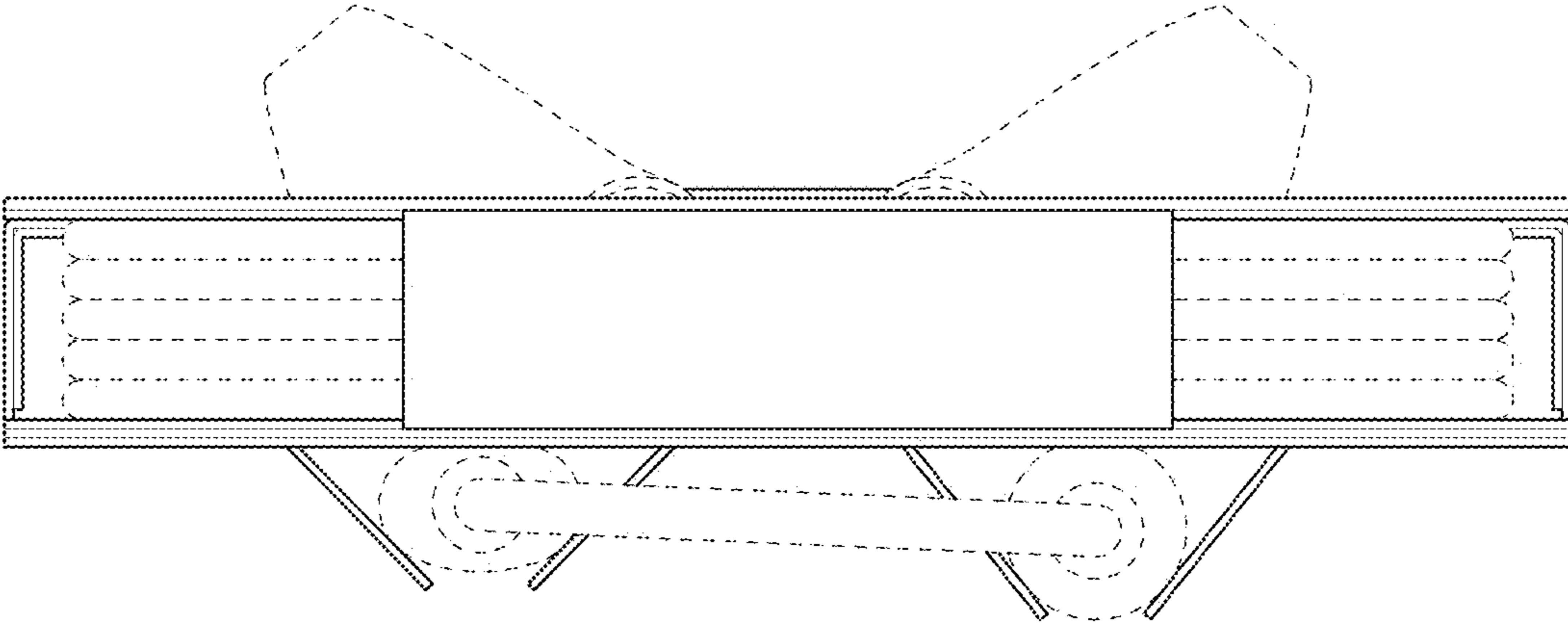


FIG. 6

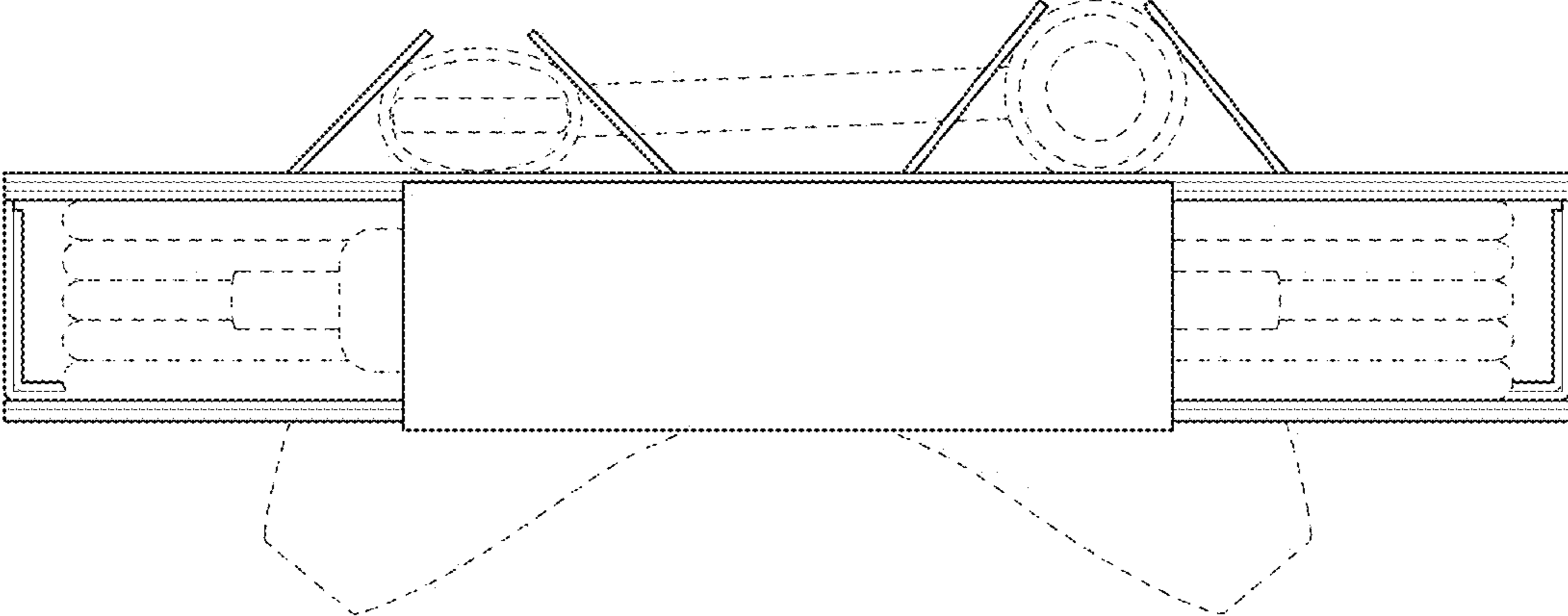


FIG. 7



UNITED STATES PATENT AND TRADEMARK OFFICE  
**CERTIFICATE OF CORRECTION**

PATENT NO. : D935,316 S  
APPLICATION NO. : 29/780695  
DATED : November 9, 2021  
INVENTOR(S) : Akana et al.

Page 1 of 1

It is certified that error appears in the above-identified patent and that said Letters Patent is hereby corrected as shown below:

On the Title Page

Column 1, item (72), Please replace "Eugene Antony WANG" with --Eugene Antony WHANG--.

Signed and Sealed this  
Fifteenth Day of February, 2022



Drew Hirshfeld  
*Performing the Functions and Duties of the  
Under Secretary of Commerce for Intellectual Property and  
Director of the United States Patent and Trademark Office*