



US00D935315S

(12) **United States Design Patent** (10) **Patent No.:** **US D935,315 S**
Baugh, Jr. et al. (45) **Date of Patent:** **** Nov. 9, 2021**

(54) **BUMPER**

(71) Applicant: **Capital One Services, LLC**, McLean, VA (US)

(72) Inventors: **James Byron Baugh, Jr.**, Louisa, VA (US); **Christopher Hamilton Syer**, Ashland, VA (US); **David Kelly Wurmfeld**, Falls Church, VA (US); **Stephen van Beek Faletti**, Brooklyn, NY (US)

(73) Assignee: **Capital One Services, LLC**, McLean, VA (US)

(**) Term: **15 Years**

(21) Appl. No.: **29/697,099**

(22) Filed: **Jul. 3, 2019**

(51) **LOC (13) Cl.** **08-09**

(52) **U.S. Cl.**
USPC **D8/402**

(58) **Field of Classification Search**
USPC D8/380, 400-403; D6/702; D21/794, D21/789, 793, 715; D25/199

(Continued)

(56) **References Cited**

U.S. PATENT DOCUMENTS

3,244,443 A * 4/1966 Rodgers E05C 17/56
292/251.5

D360,476 S * 7/1995 Smeja D25/199
(Continued)

Primary Examiner — Susan Bennett Hattan

Assistant Examiner — Elizabeth S Ko

(74) *Attorney, Agent, or Firm* — Perkins Coie LLP

(57) **CLAIM**

The ornamental design for a bumper, as shown and described.

DESCRIPTION

FIG. 1 is a front, left, top perspective view of a first embodiment of a bumper, showing the new design;

FIG. 2 is a front view thereof, the left side view, right side view, and rear view being identical thereto;

FIG. 3 is a top view thereof;

FIG. 4 is a bottom view thereof;

FIG. 5 is a bottom, front, right perspective view thereof, the bottom, rear, left perspective view being identical thereto;

FIG. 6 is a front, left, top perspective view of a second embodiment of the bumper, showing the new design;

FIG. 7 is a front view thereof, the left side view, right side view, and rear view being identical thereto;

FIG. 8 is a top view thereof;

FIG. 9 is a bottom view thereof;

FIG. 10 is a bottom, front, right perspective view thereof, the bottom, rear, left perspective view being identical thereto;

FIG. 11 is a front, left, top perspective view of a third embodiment of the bumper, showing the new design;

FIG. 12 is a front view thereof, the left side view, right side view, and rear view being identical thereto;

FIG. 13 is a top view thereof;

FIG. 14 is a bottom view thereof;

FIG. 15 is a bottom, front, right perspective view thereof, the bottom, rear, left perspective view being identical thereto;

FIG. 16 is a front, left, top perspective view of a fourth embodiment of the bumper, showing the new design;

FIG. 17 is a front view thereof, the left side view, right side view, and rear view being identical thereto;

FIG. 18 is a top view thereof;

FIG. 19 is a bottom view thereof;

FIG. 20 is a bottom, front, right perspective view thereof, the bottom, rear, left perspective view being identical thereto;

FIG. 21 is a front, left, top perspective view of a fifth embodiment of the bumper, showing the new design;

FIG. 22 is a front view thereof, the left side view, right side view, and rear view being identical thereto;

FIG. 23 is a top view thereof;

FIG. 24 is a bottom view thereof;

FIG. 25 is a bottom, front, right perspective view thereof, the bottom, rear, left perspective view being identical thereto;

FIG. 26 is a front, left, top perspective view of a sixth embodiment of the bumper, showing the new design;

FIG. 27 is a front view thereof, the left side view, right side view, and rear view being identical thereto;

FIG. 28 is a top view thereof;

FIG. 29 is a bottom view thereof; and,

(Continued)

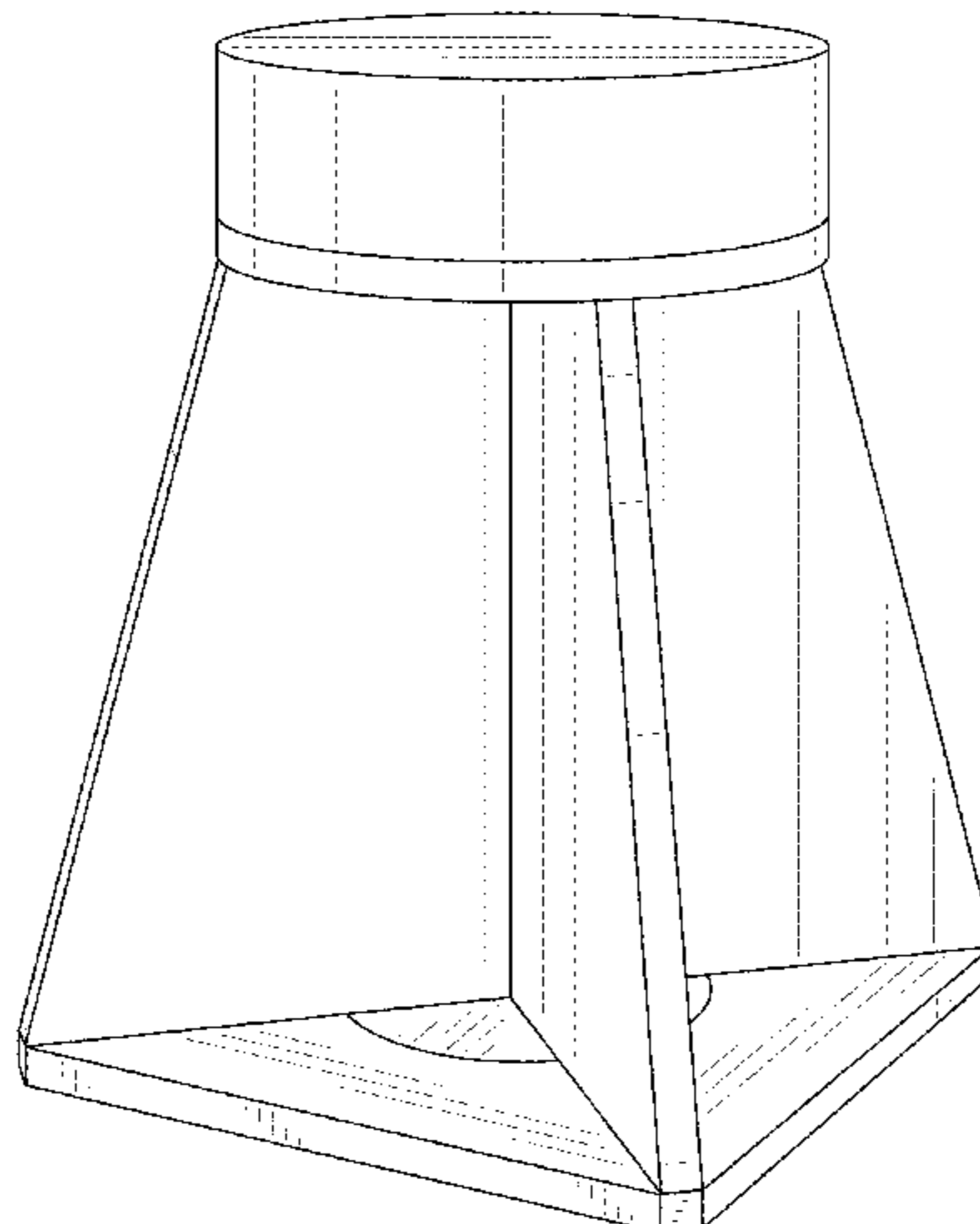


FIG. 30 is a bottom, front, right perspective view thereof, the bottom, rear, left perspective view being identical thereto. Contrast in appearance of materials in at least some areas of FIGS. 11-30 is shown by stipple shading. Portions shown in broken lines form no part of the claim.

1 Claim, 30 Drawing Sheets

(58) **Field of Classification Search**

CPC A47B 2230/0077; A47B 2230/0081; A47F 5/10; G09F 7/18

See application file for complete search history.

(56) **References Cited**

U.S. PATENT DOCUMENTS

D364,556 S * 11/1995 Lee D8/499
 5,709,057 A * 1/1998 Johnson, Jr. G09F 7/18
 248/219.2
 D403,390 S * 12/1998 Lenz D21/794
 D441,043 S * 4/2001 Barnette D21/789
 6,345,474 B1 * 2/2002 Triplett E02D 27/01
 405/229

D463,250 S * 9/2002 Valentz D8/349
 6,502,791 B2 * 1/2003 Parker F16L 3/18
 248/405
 D505,065 S * 5/2005 Smeja D8/499
 D540,159 S * 4/2007 Sompolinsky D8/402
 D553,487 S * 10/2007 Quan D8/402
 D608,917 S * 1/2010 Ward D25/199
 D617,181 S * 6/2010 McMullen D8/499
 D639,373 S * 6/2011 Fortier D21/794
 D734,399 S * 7/2015 Baumann D21/398
 D789,904 S * 6/2017 Pepper D14/154
 9,677,690 B2 * 6/2017 Lalancette F16L 3/04
 D798,927 S * 10/2017 Yamada D15/148
 D903,025 S * 11/2020 Davis D21/789
 2002/0011548 A1 * 1/2002 Parker F16L 3/1016
 248/354.3
 2011/0016809 A1 * 1/2011 Knight, III E04D 11/007
 52/263
 2011/0023385 A1 * 2/2011 Knight, III E04F 15/02183
 52/126.6
 2011/0192941 A1 * 8/2011 Lalancette F16L 3/04
 248/70
 2013/0255033 A1 * 10/2013 Vu E05F 5/08
 16/82
 2016/0309927 A1 * 10/2016 Krake G09F 7/18
 2018/0305965 A1 * 10/2018 Kuta E05C 17/56

* cited by examiner

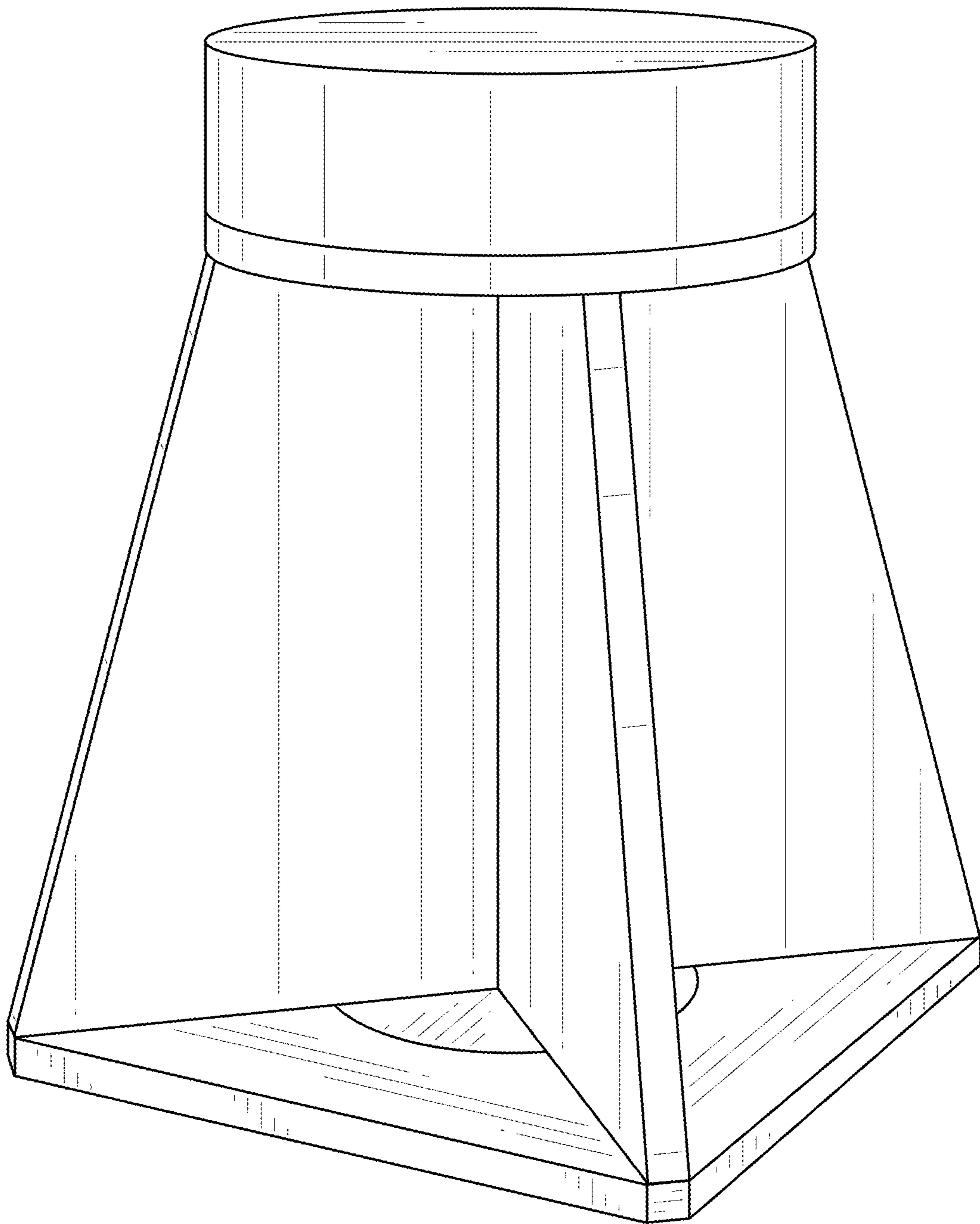


FIG. 1

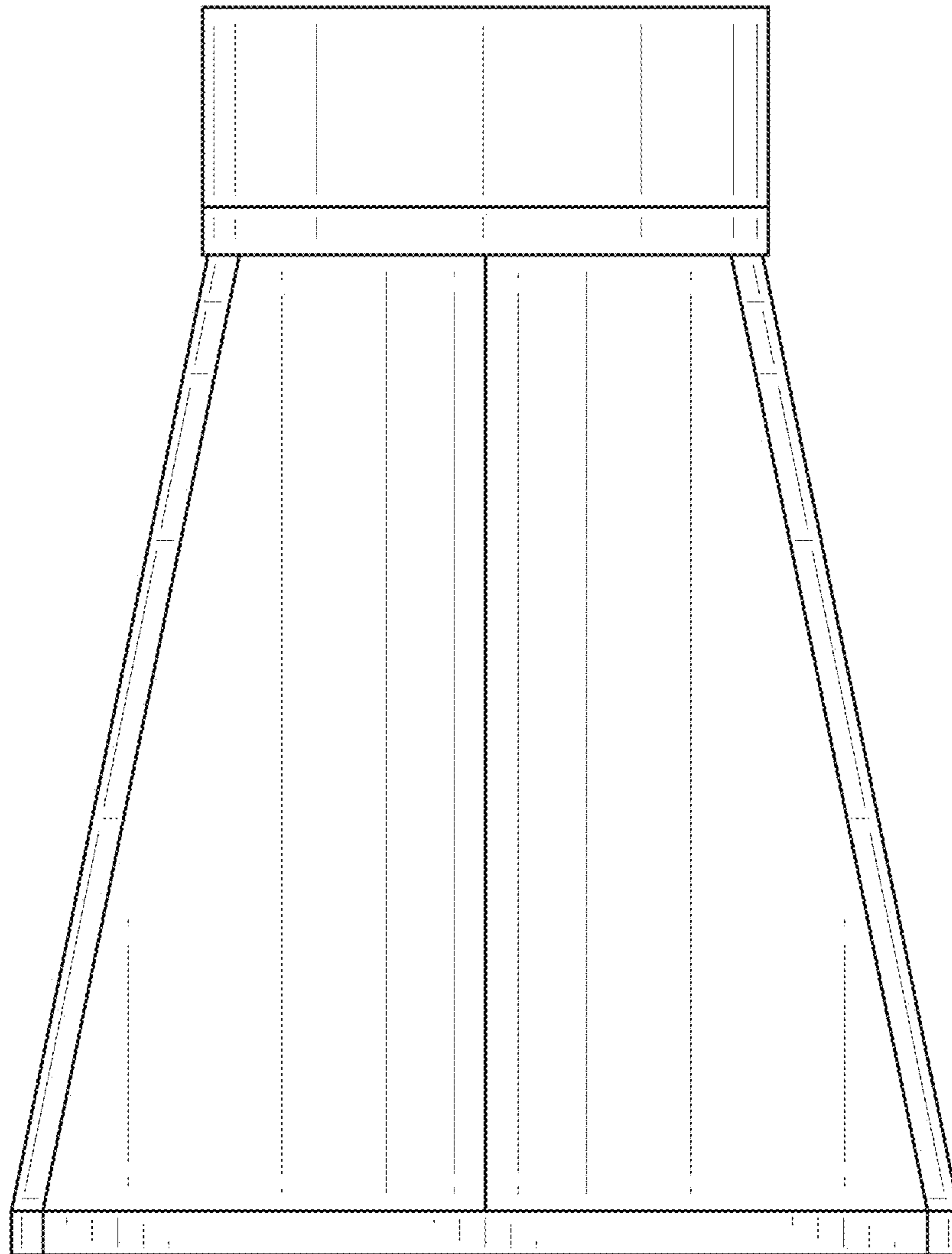


FIG. 2

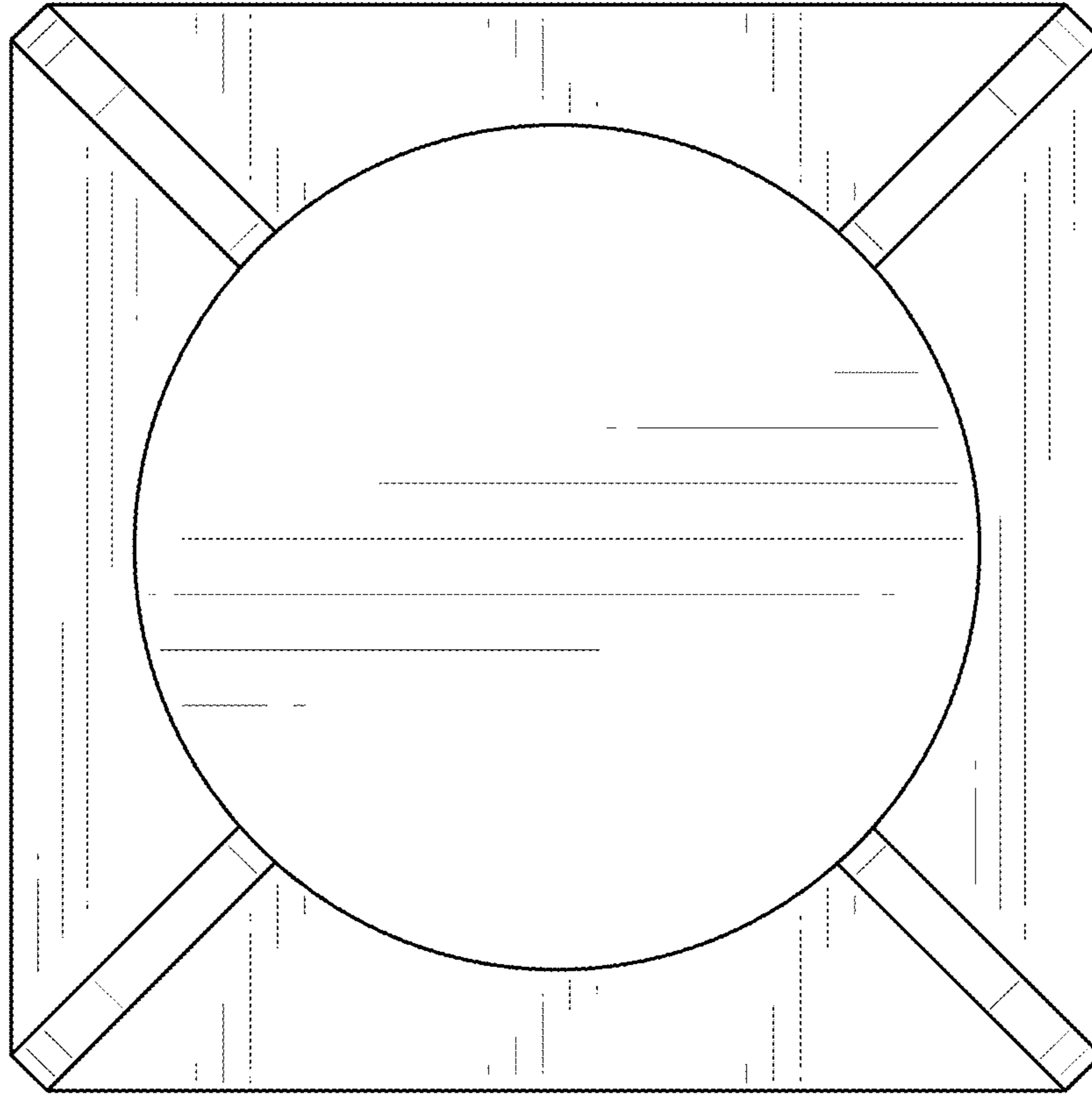


FIG. 3

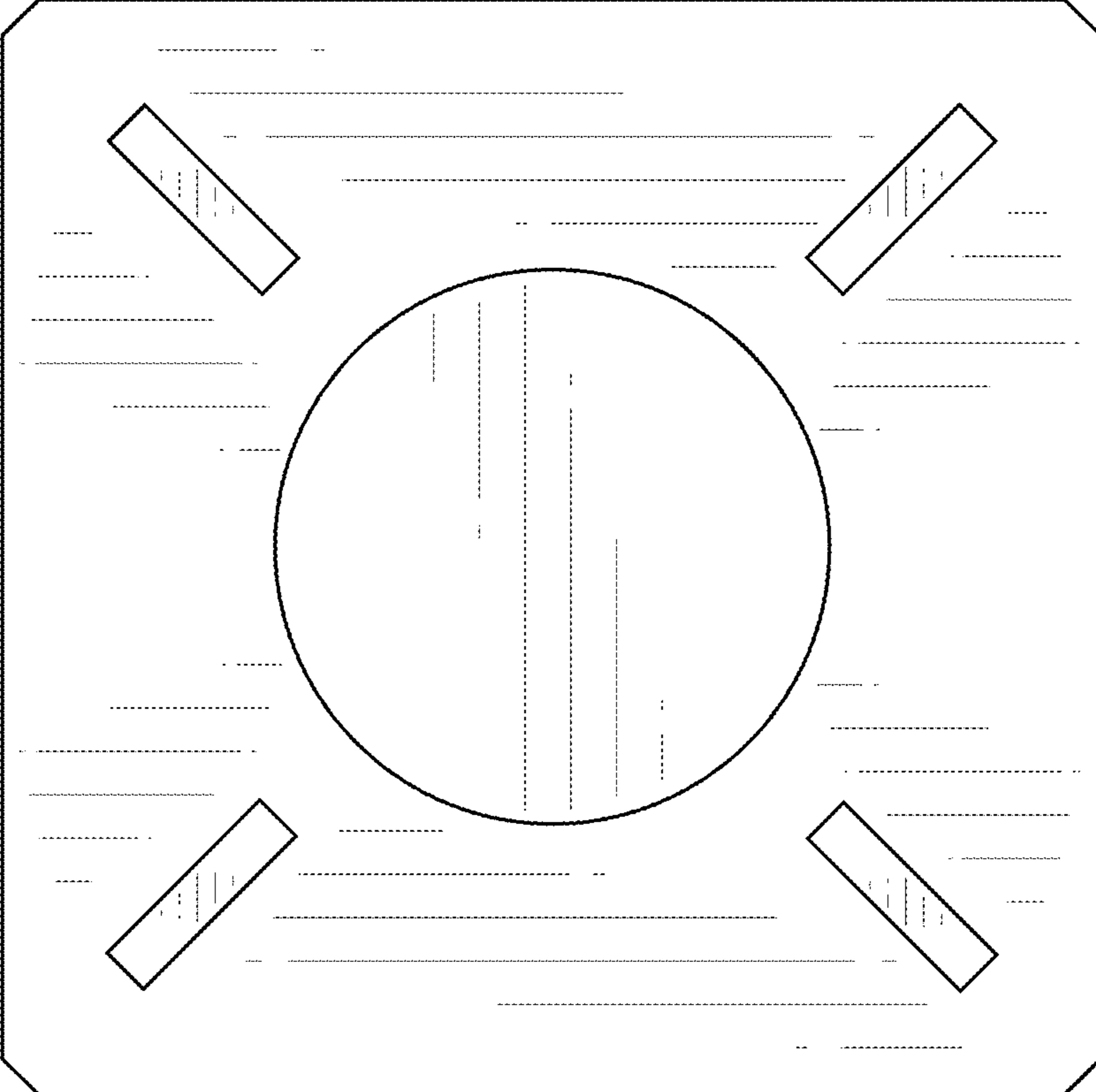


FIG. 4

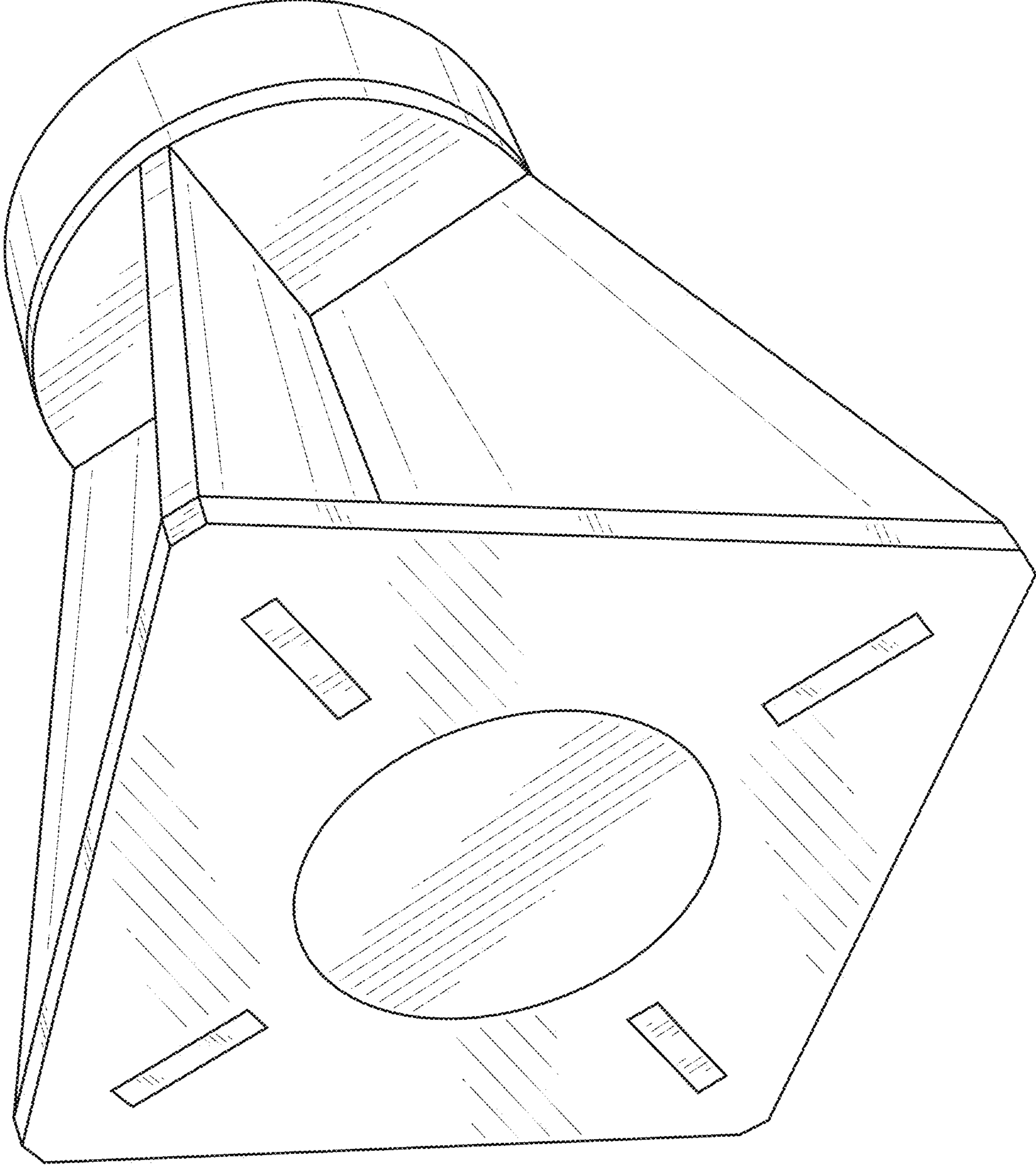


FIG. 5

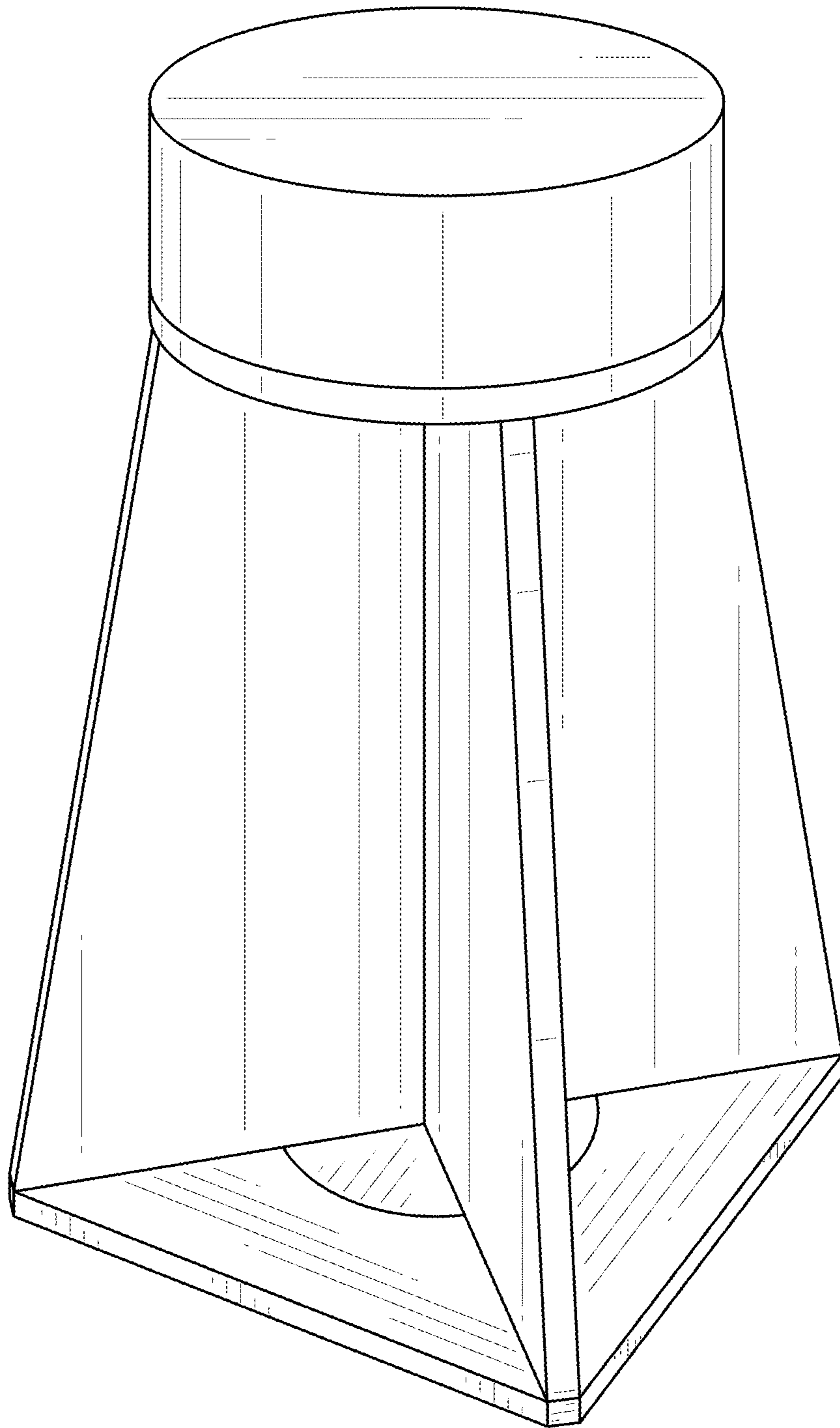


FIG. 6

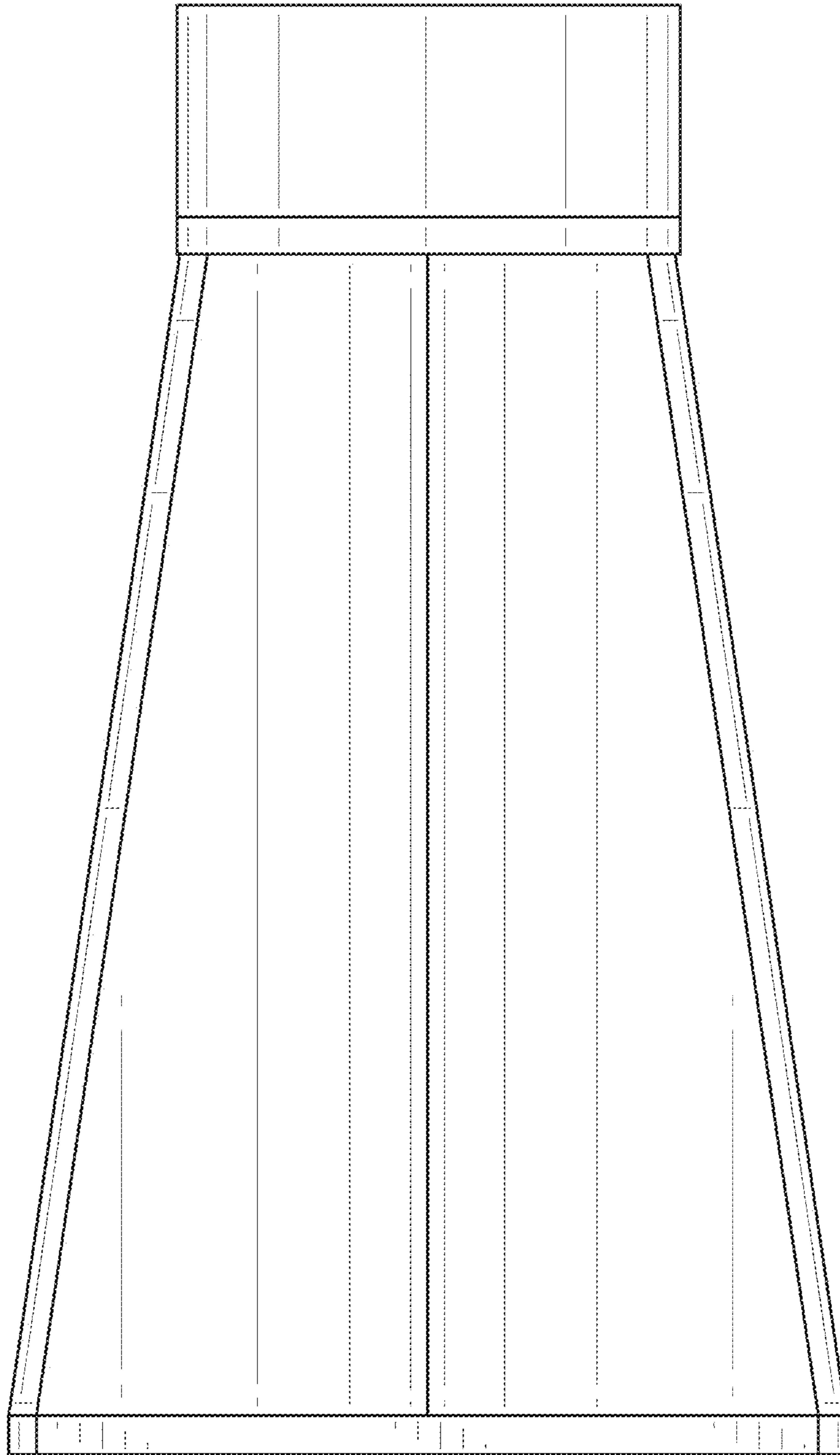


FIG. 7

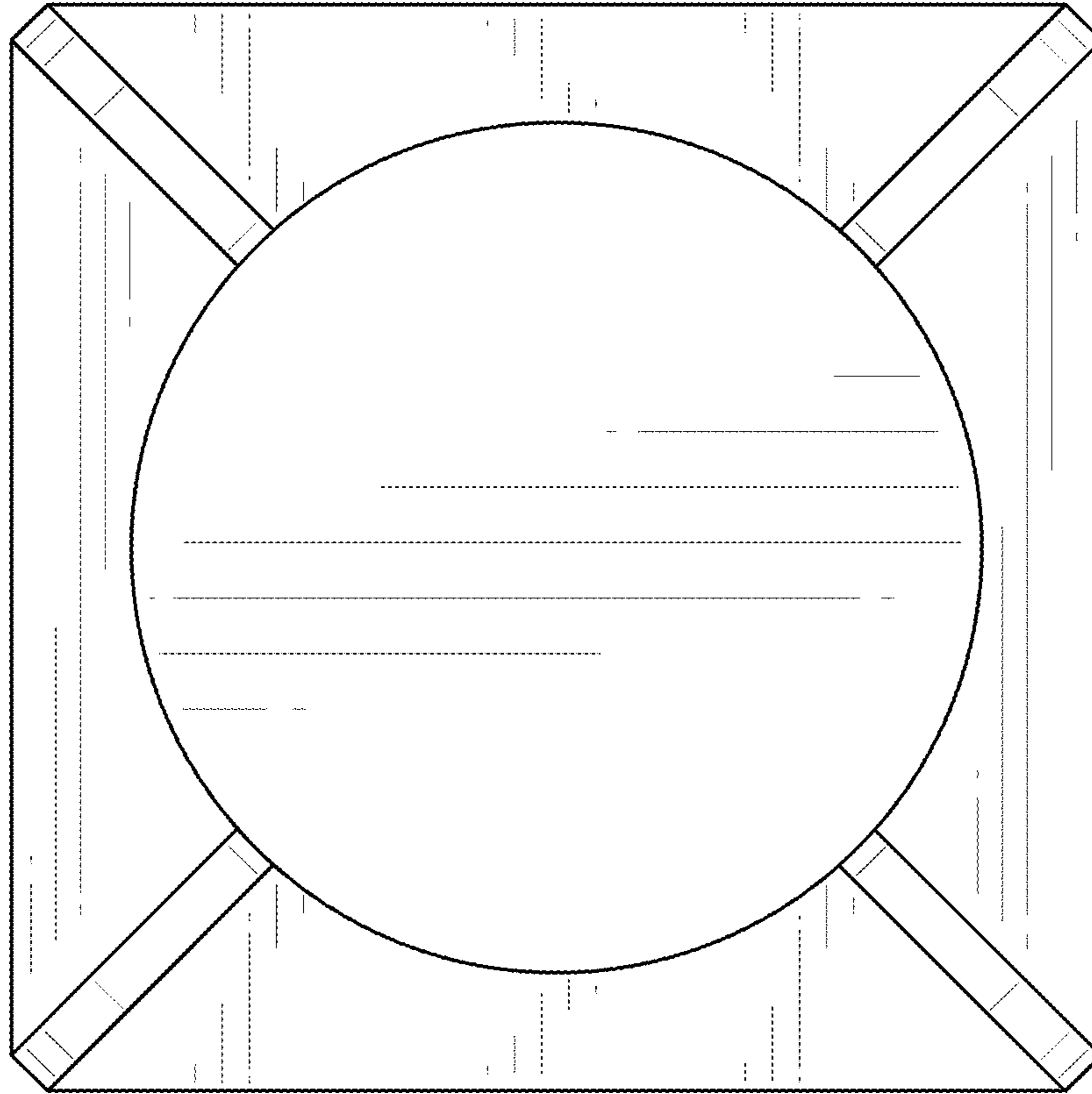


FIG. 8

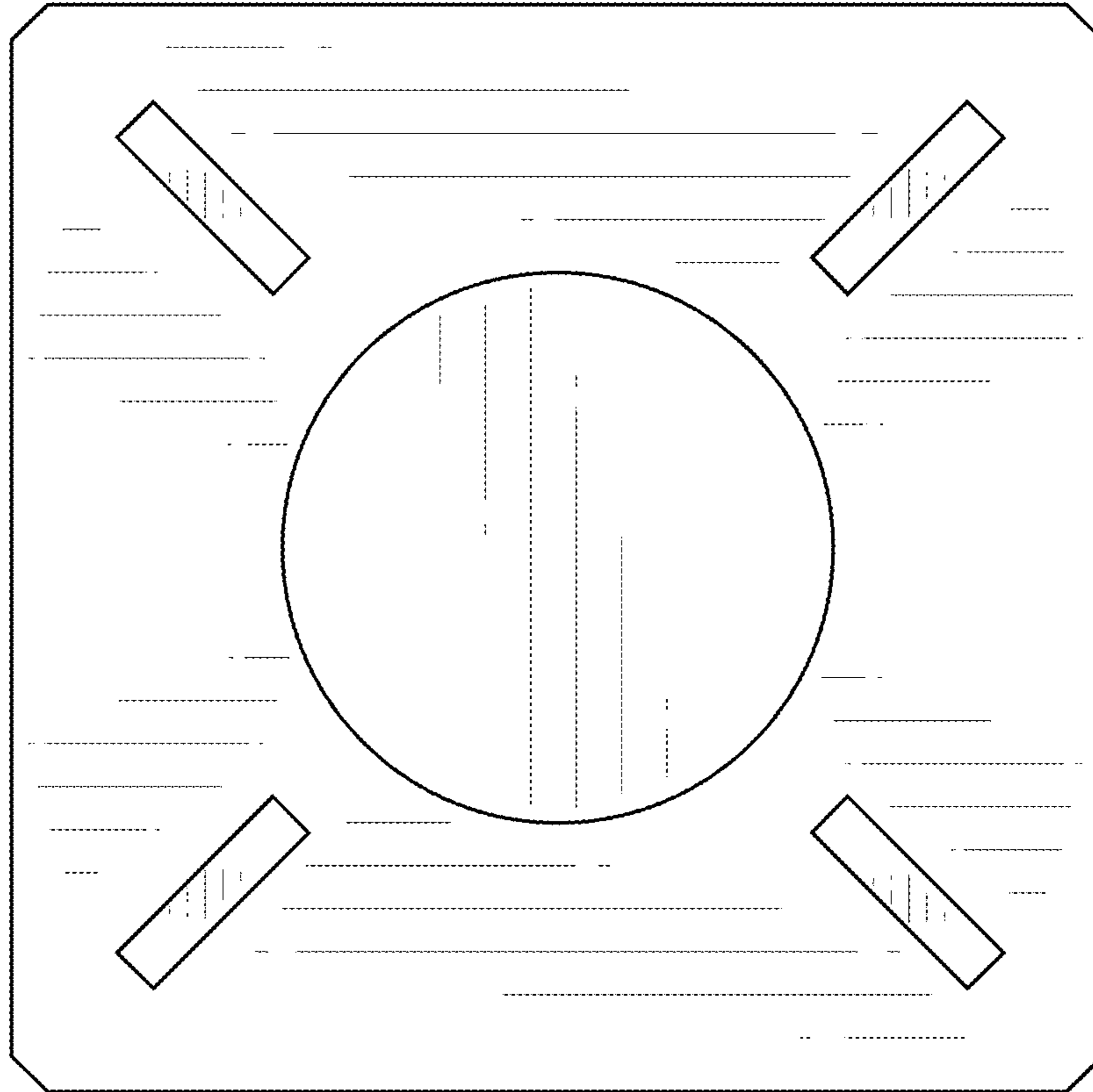


FIG. 9

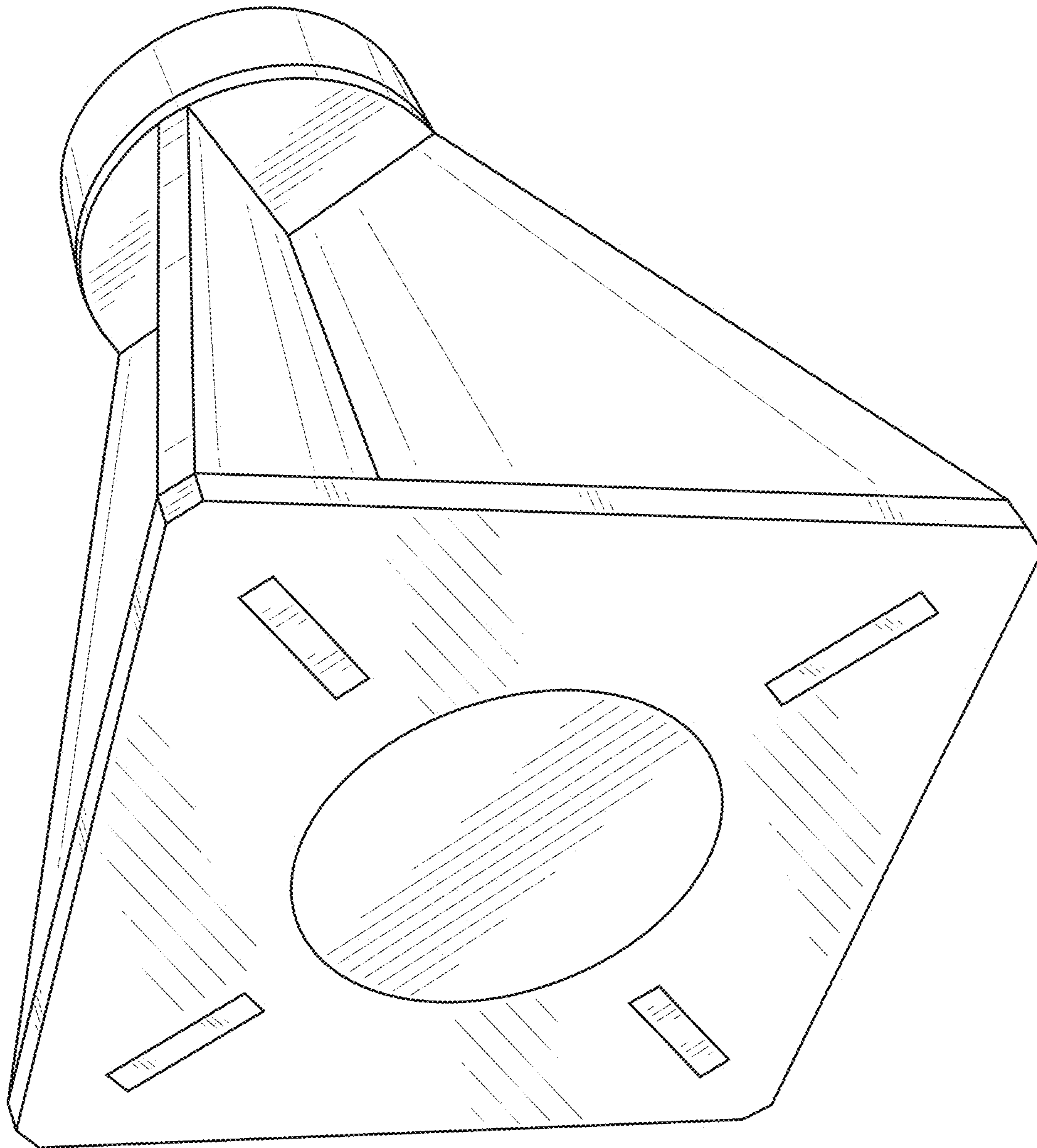


FIG. 10

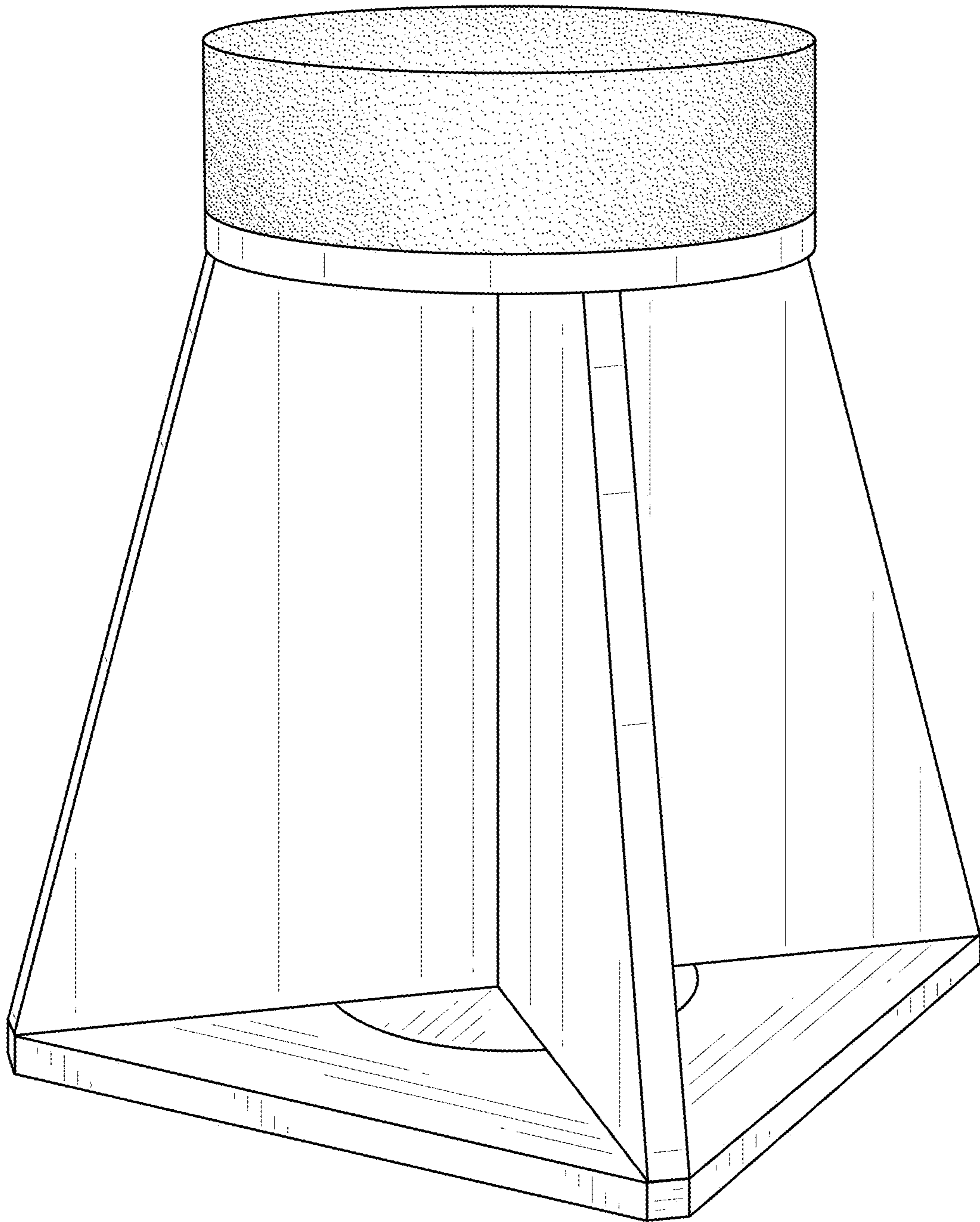


FIG. 11

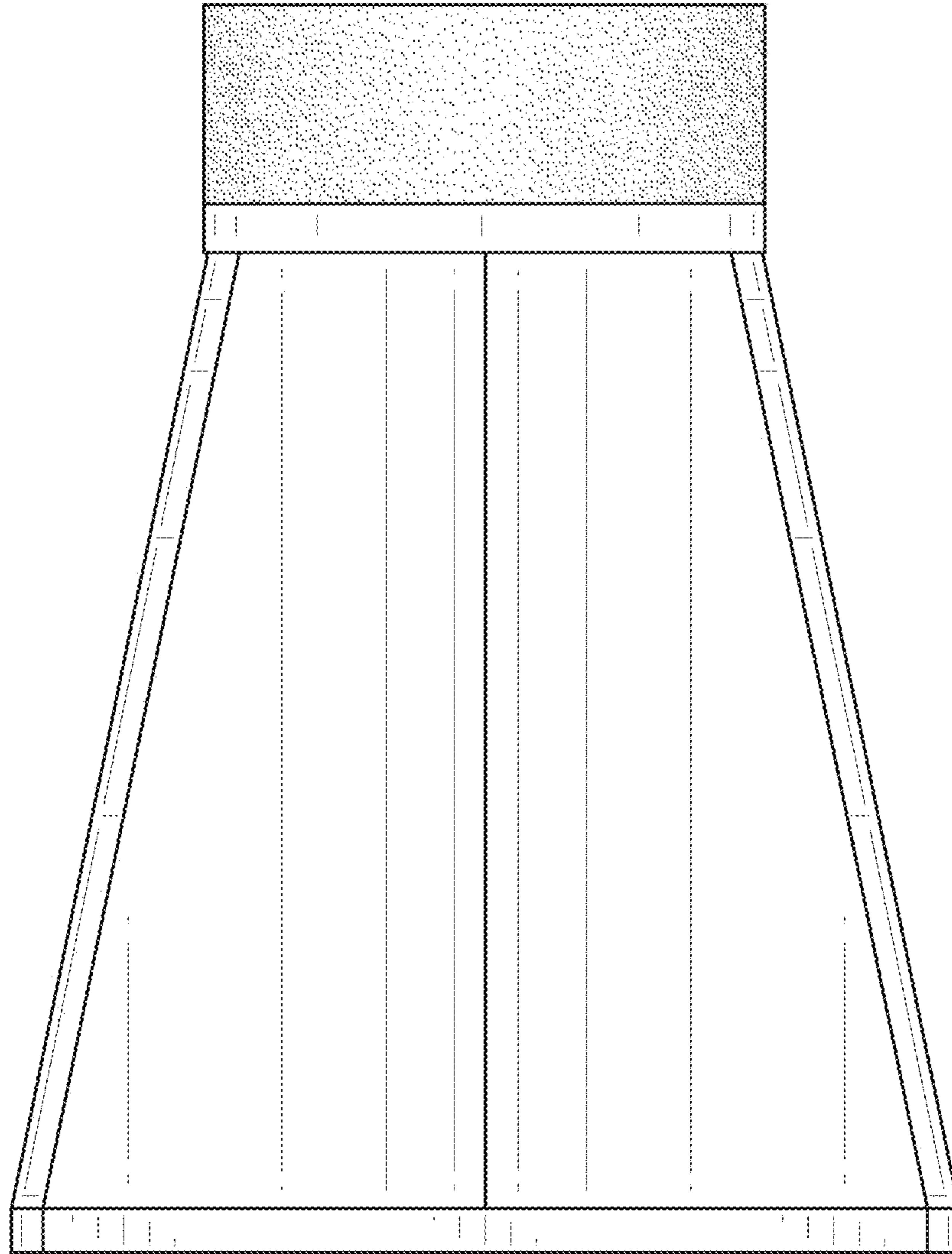


FIG. 12

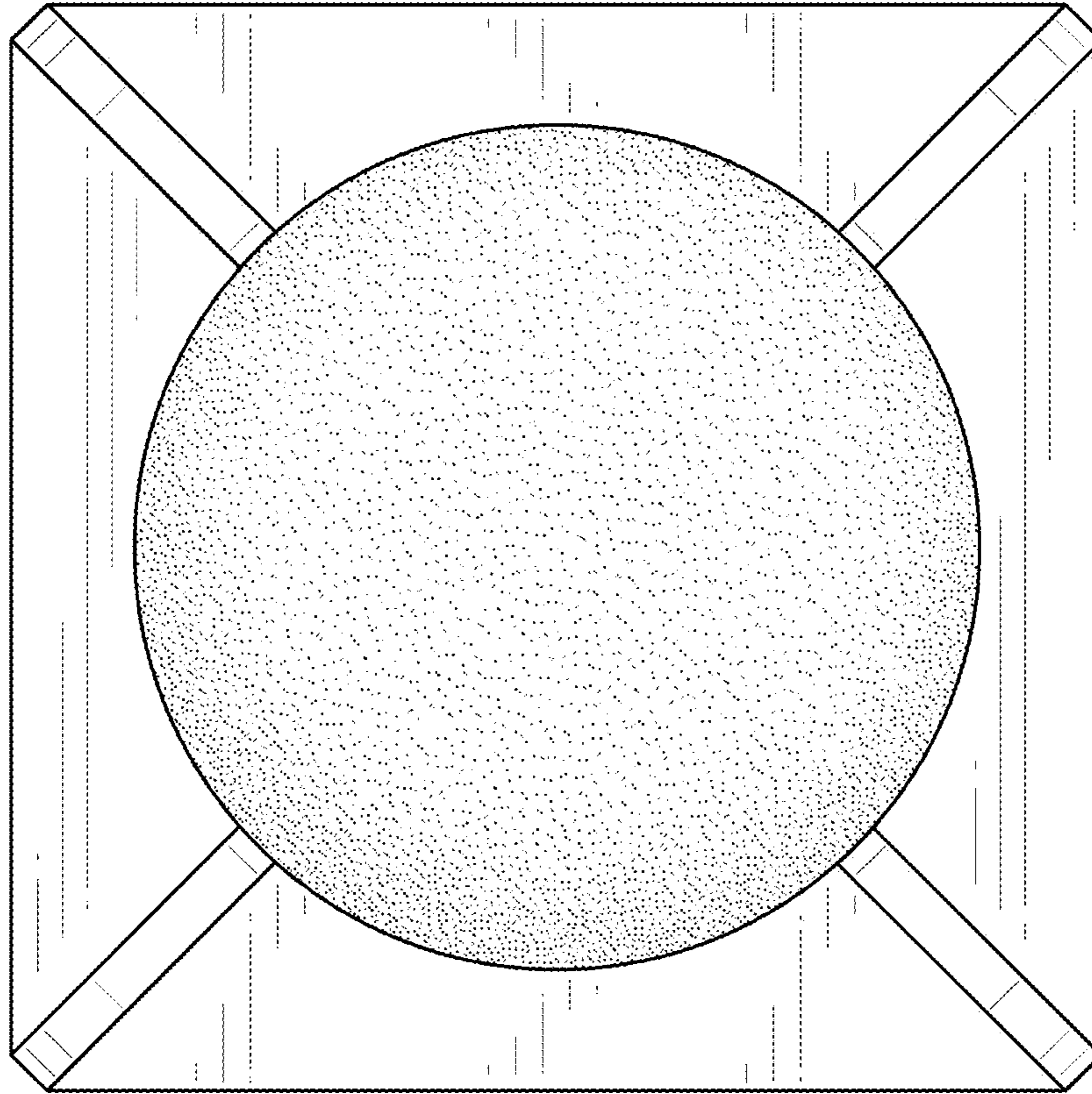


FIG. 13

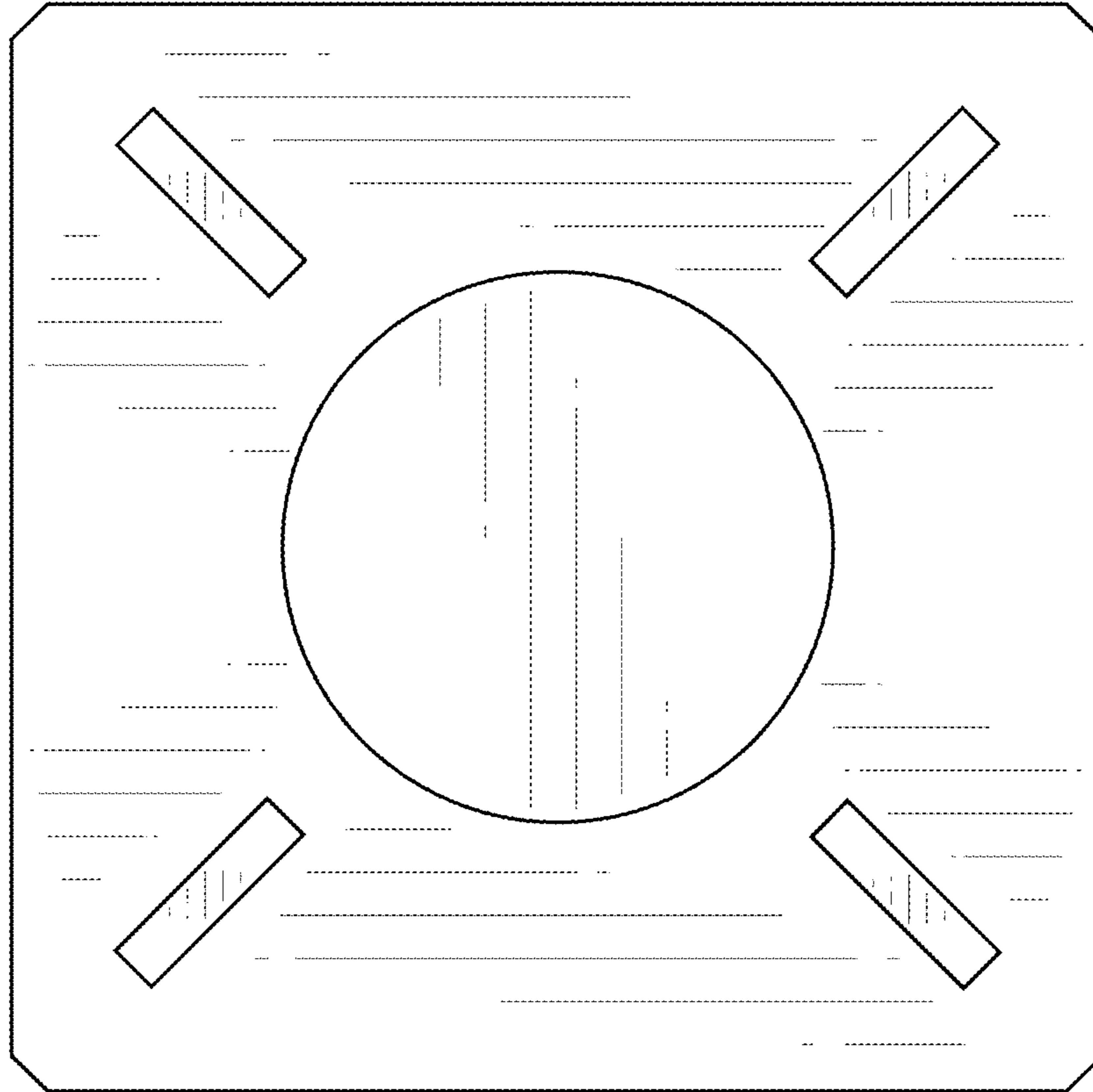


FIG. 14

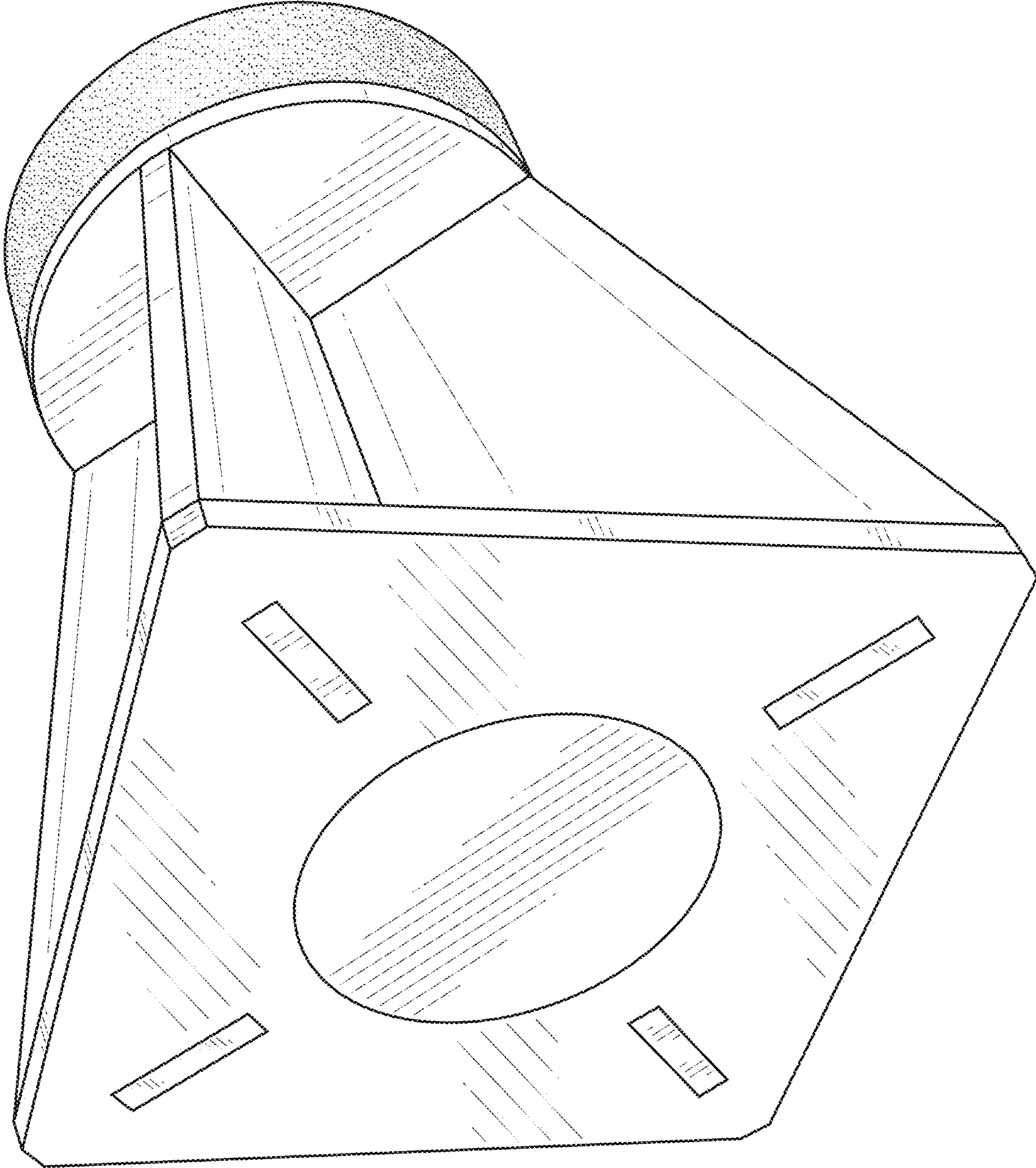


FIG. 15

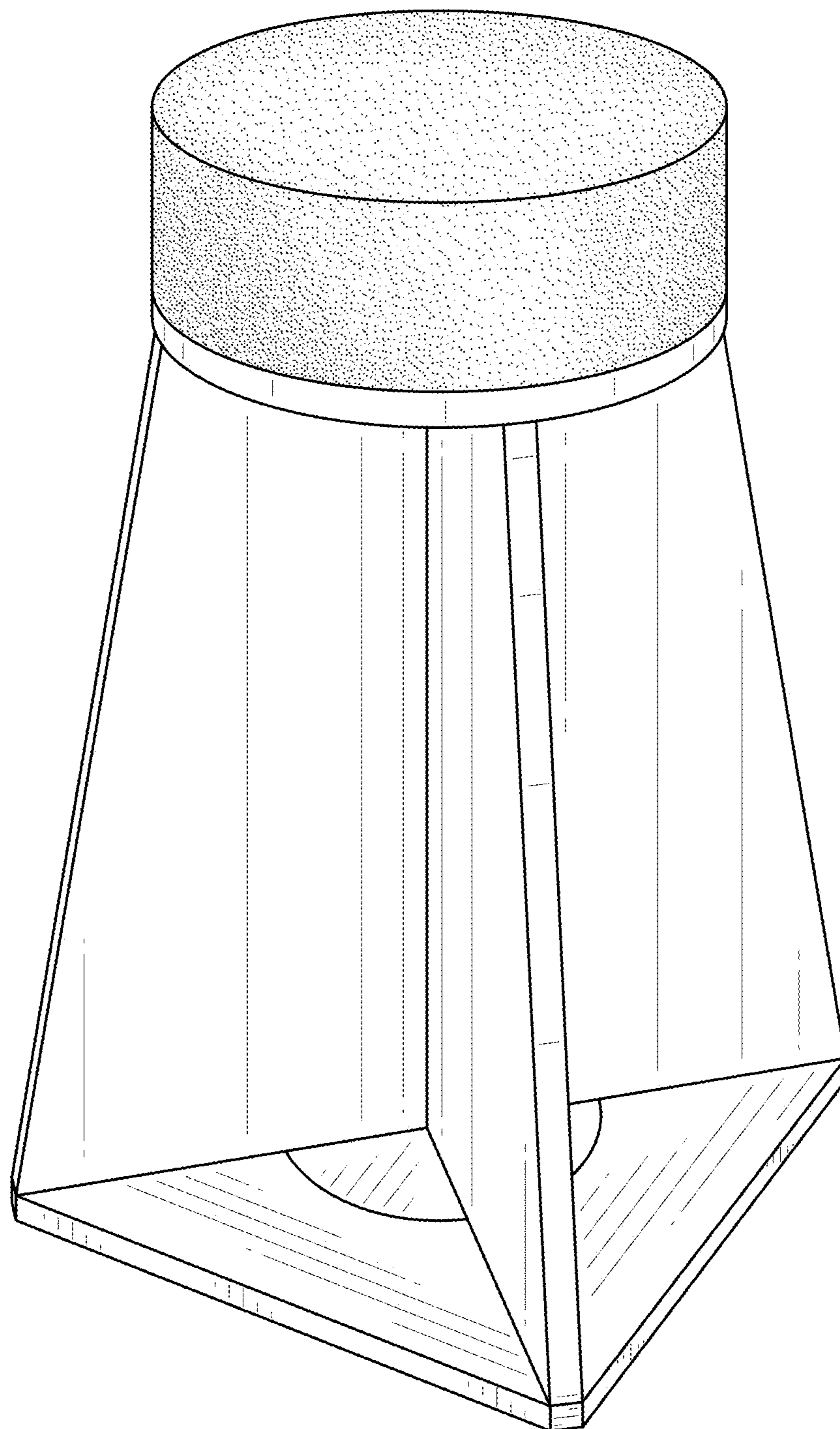


FIG. 16

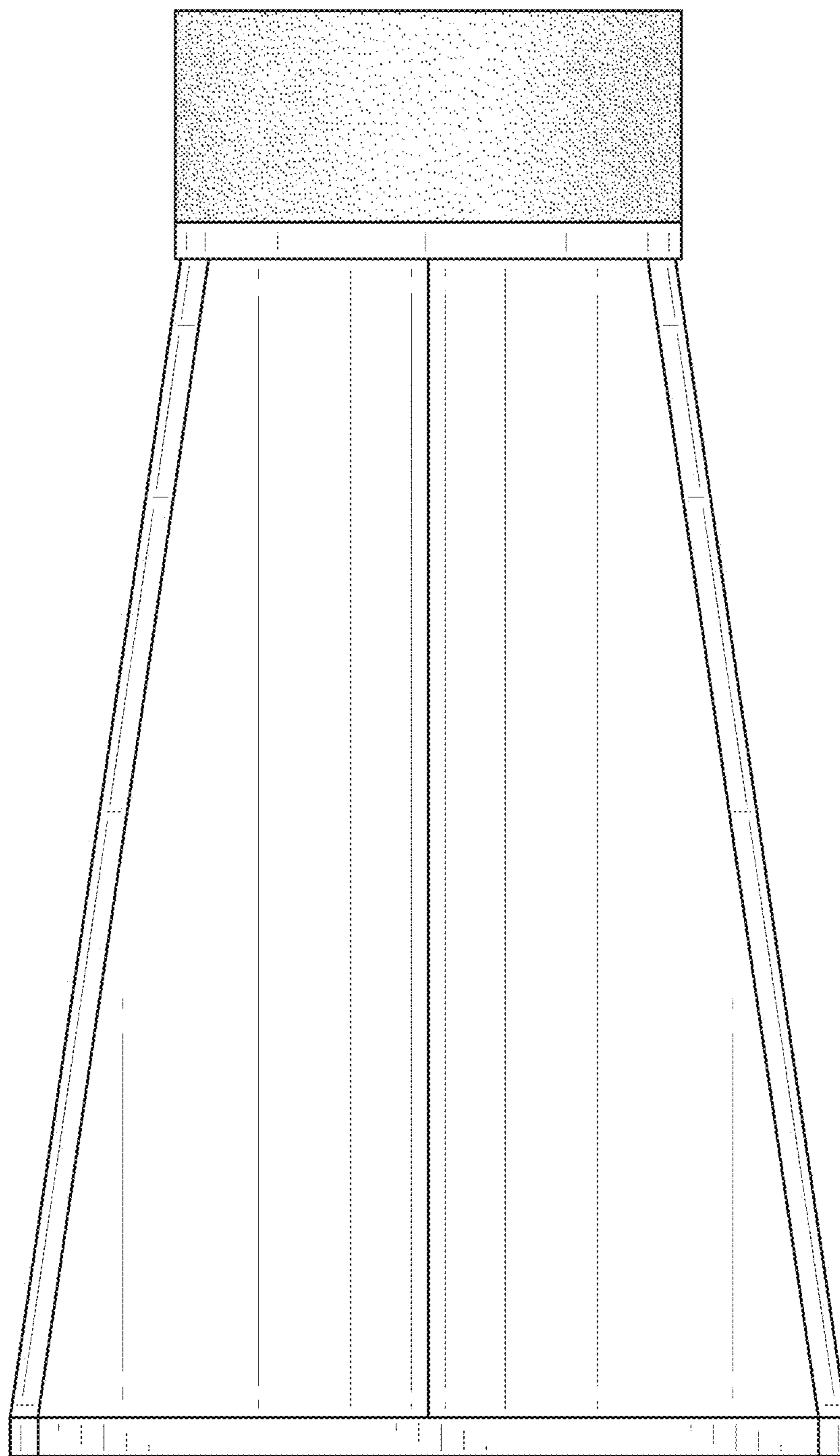


FIG. 17

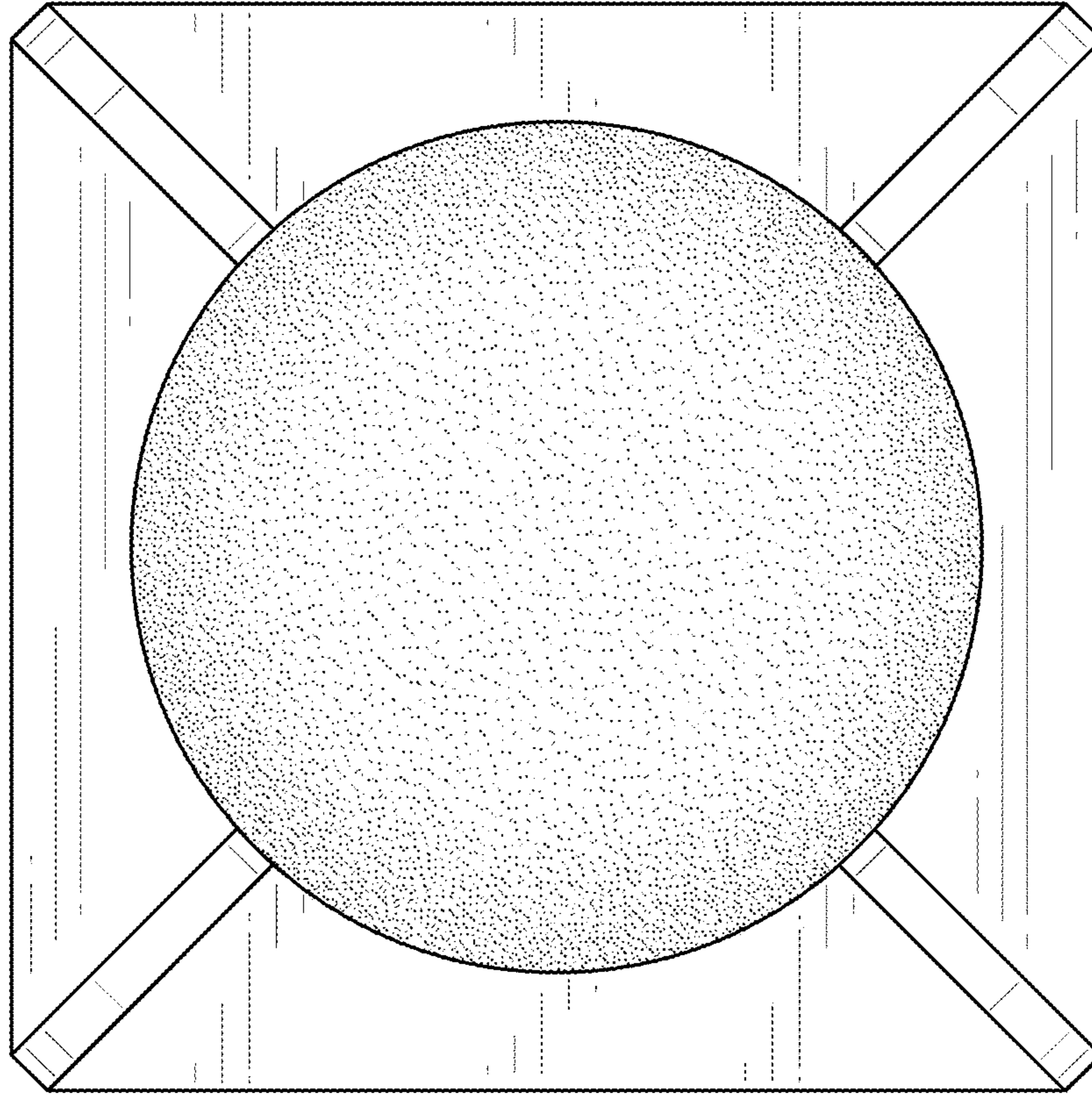


FIG. 18

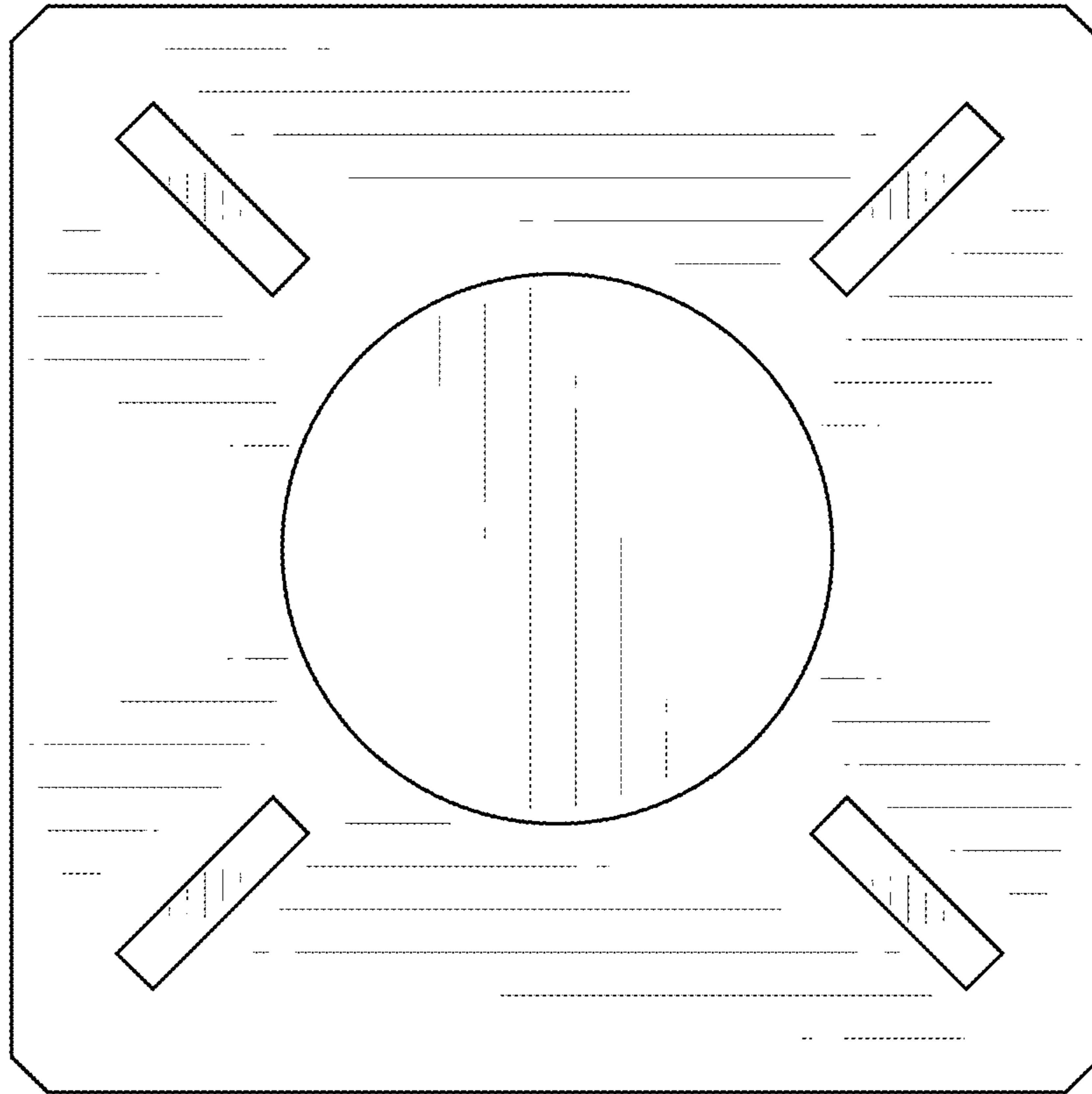


FIG. 19

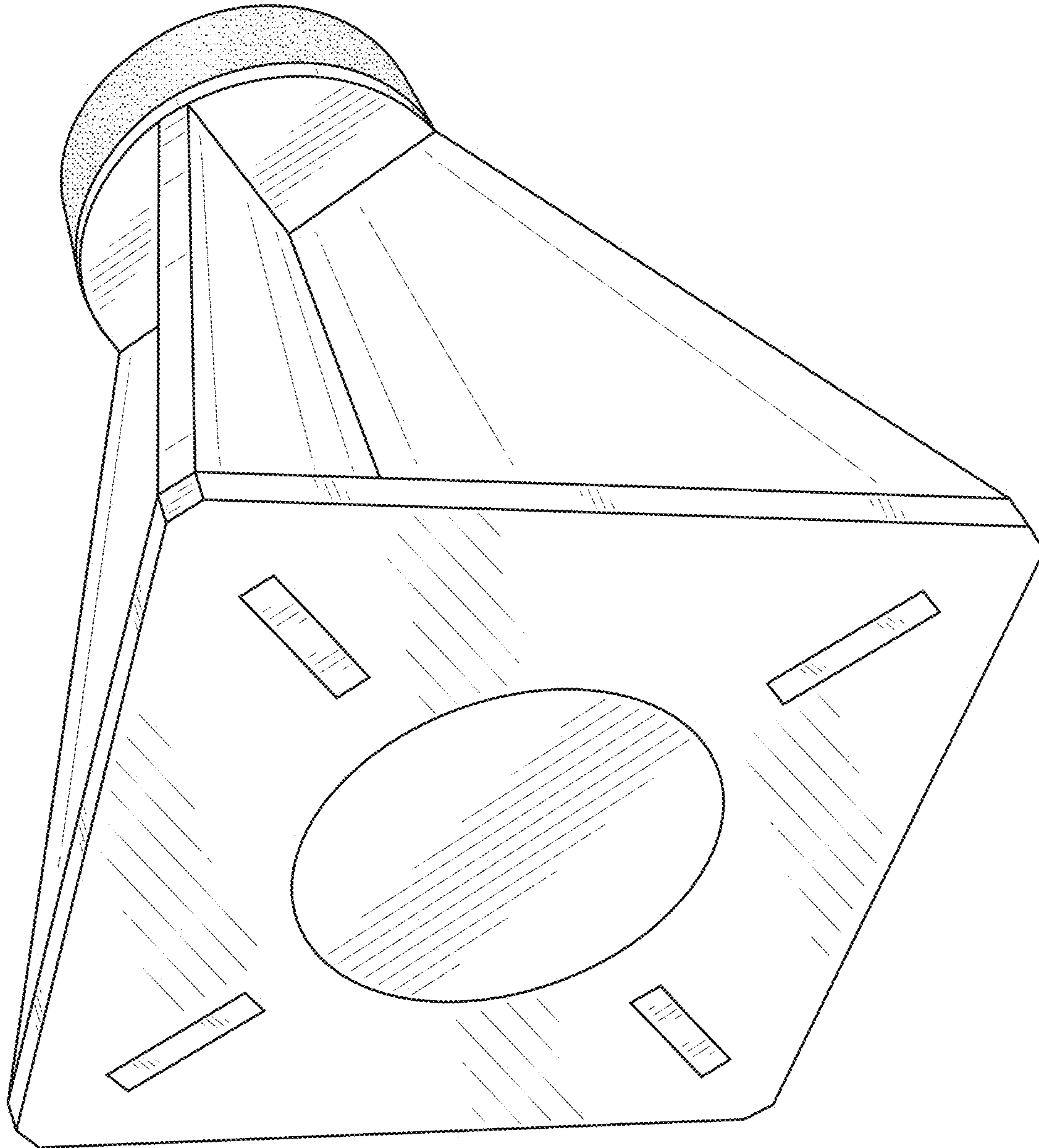


FIG. 20

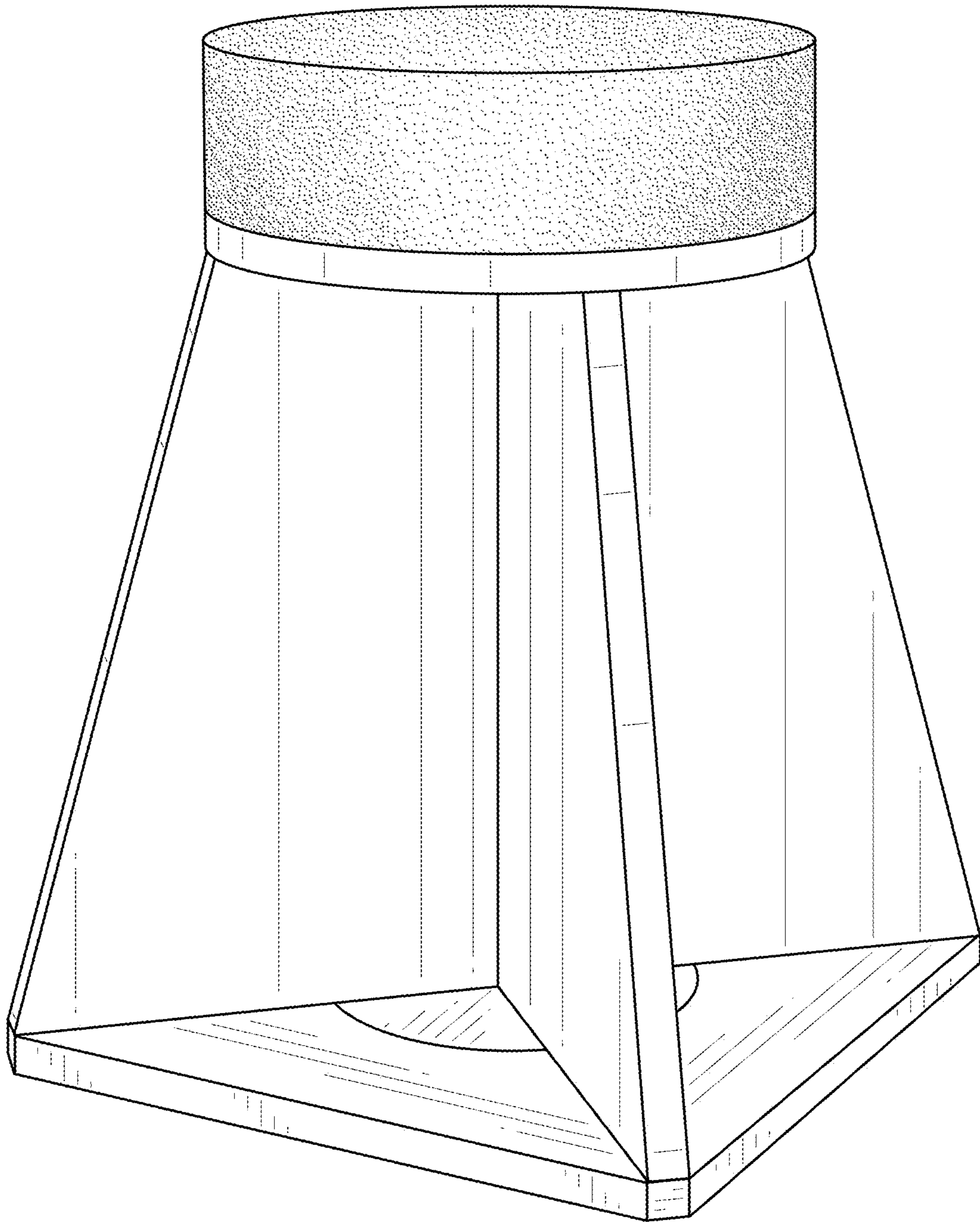


FIG. 21

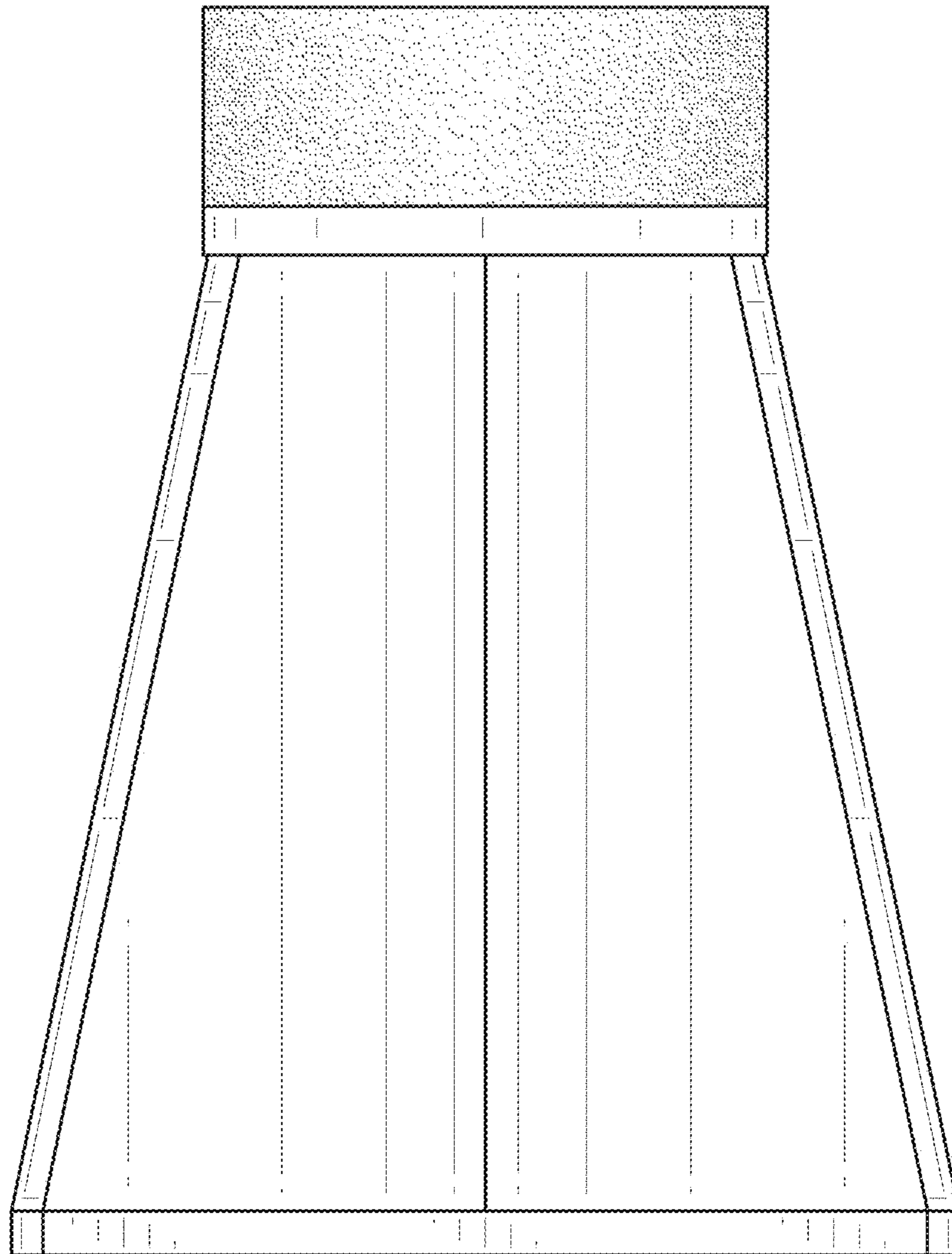


FIG. 22

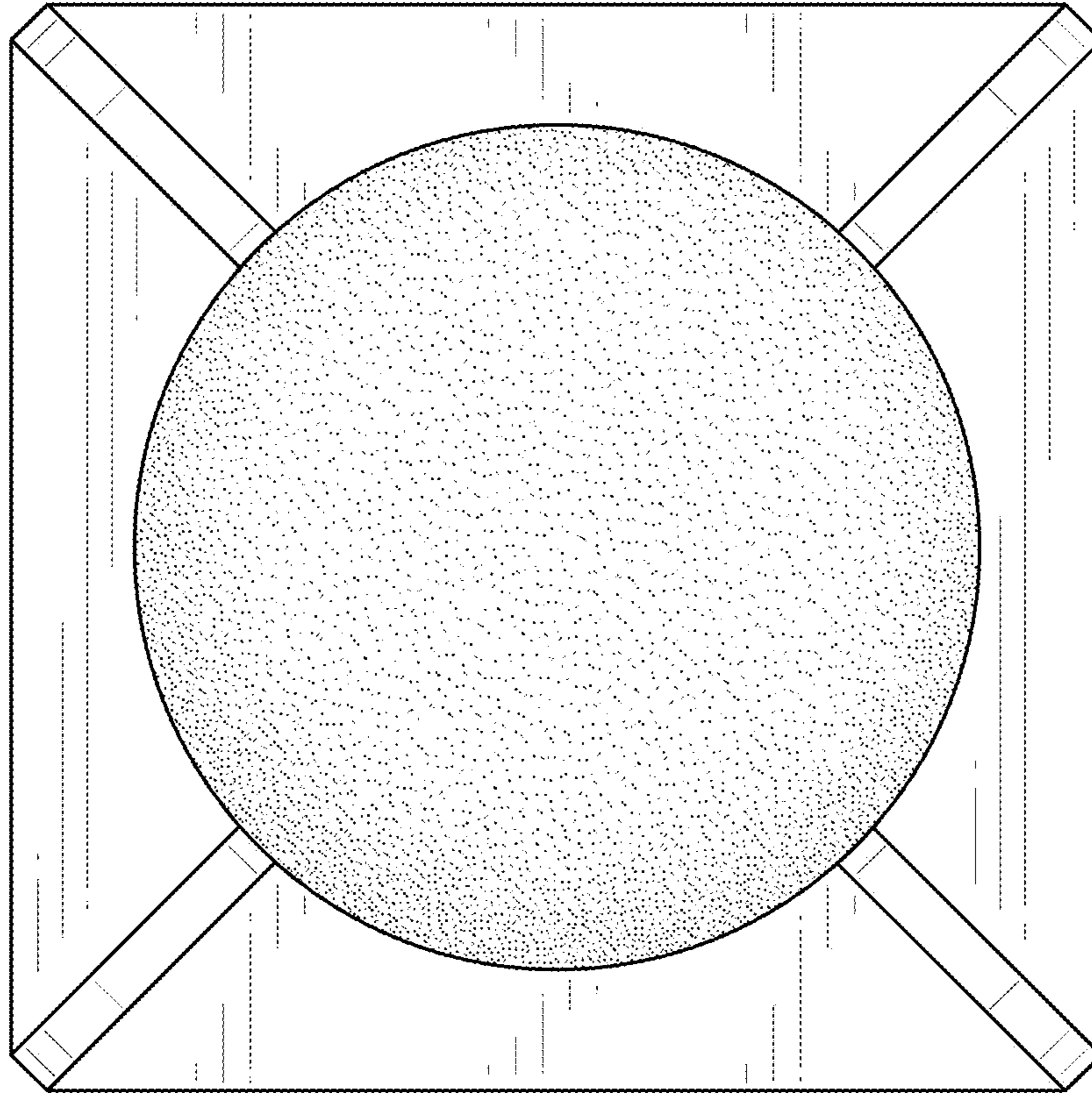


FIG. 23

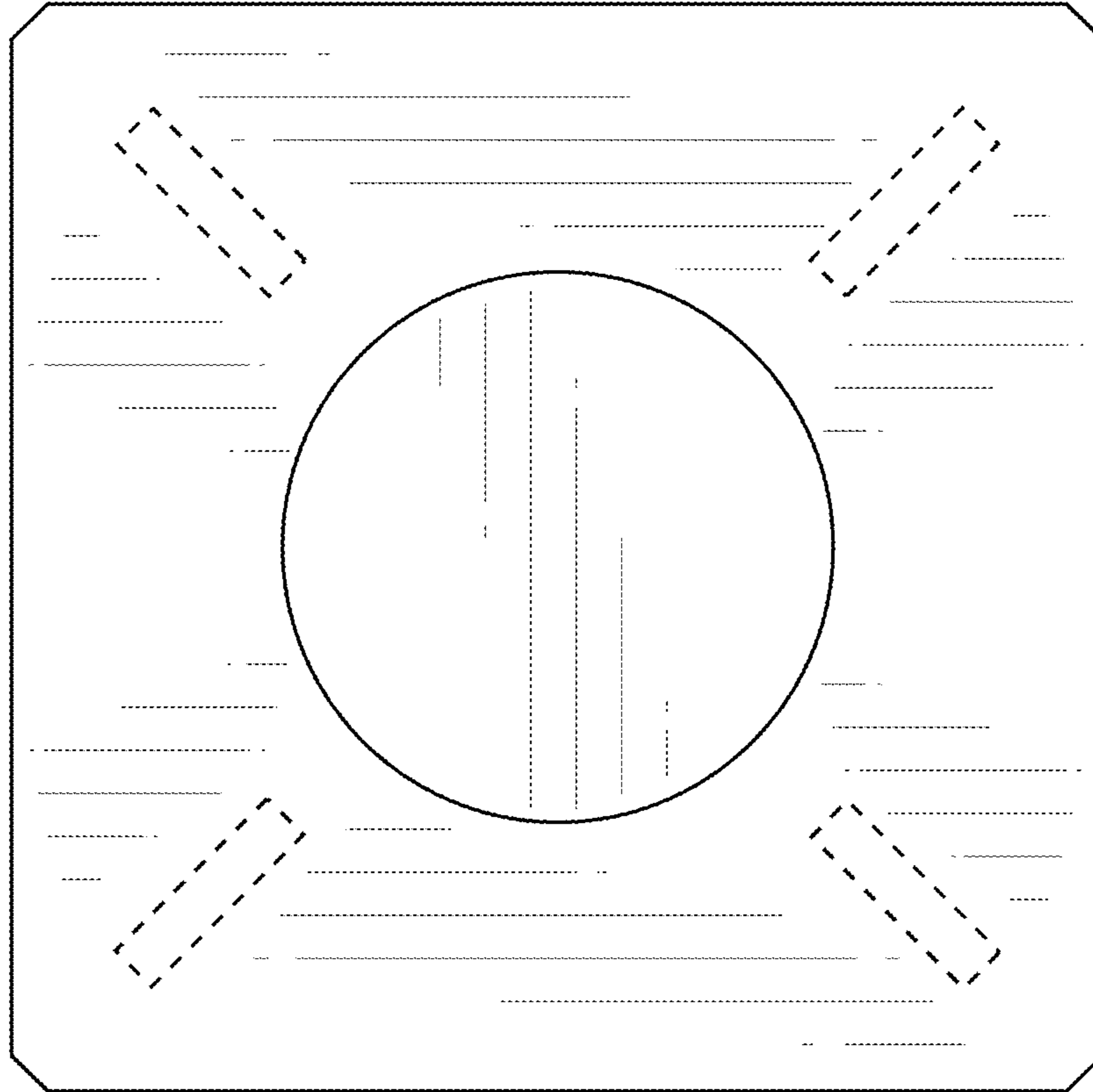


FIG. 24

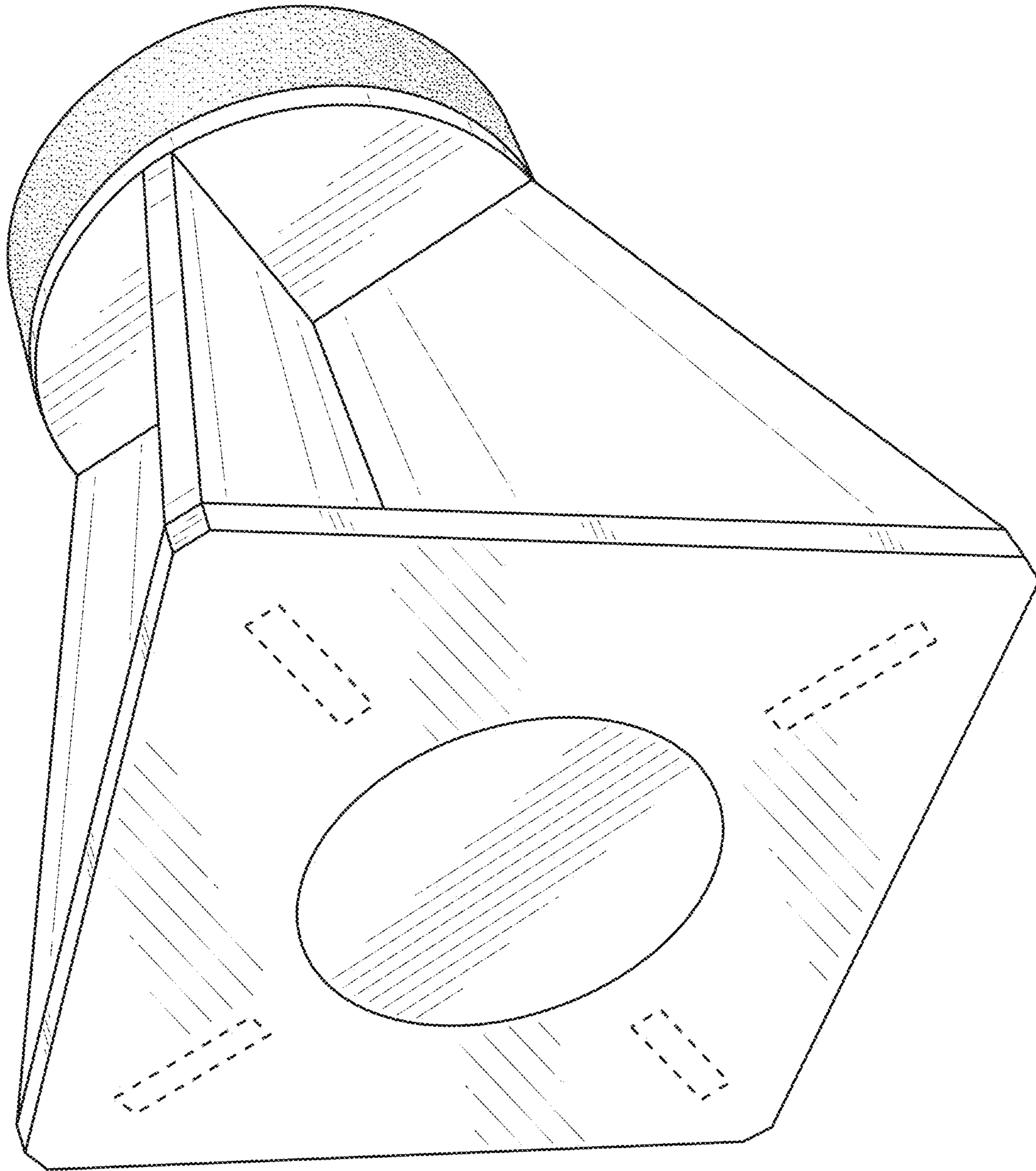


FIG. 25

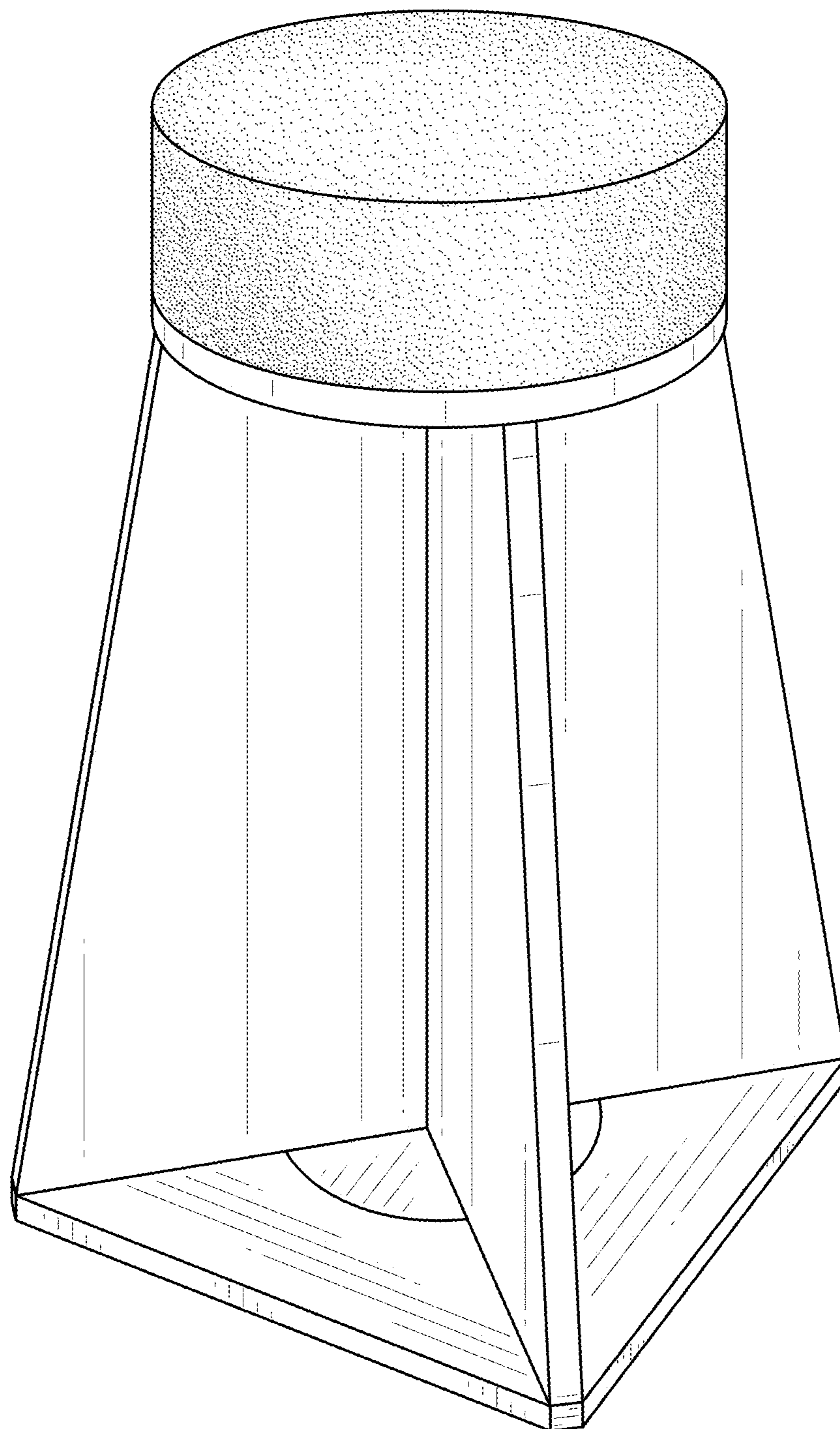


FIG. 26

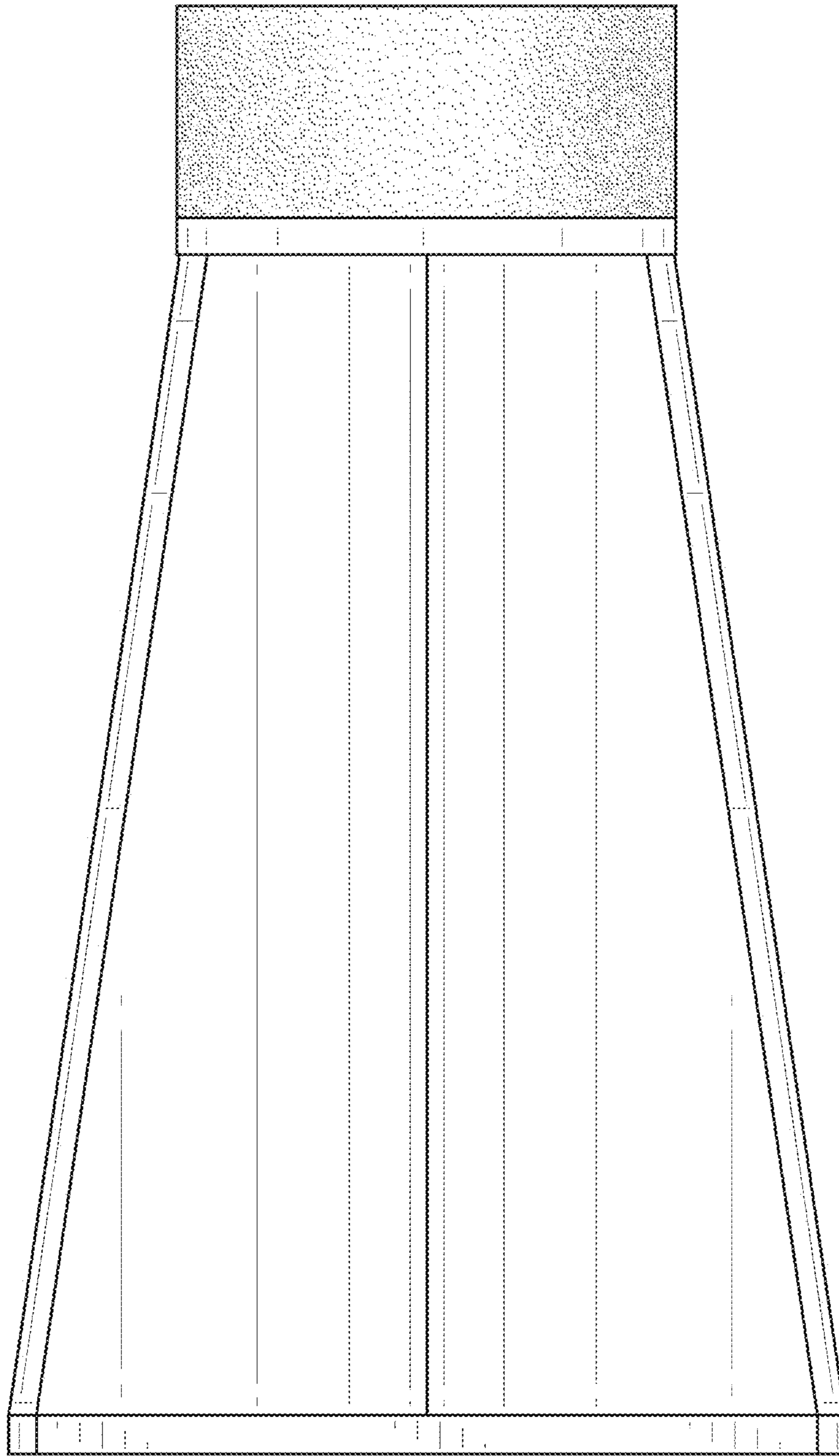


FIG. 27

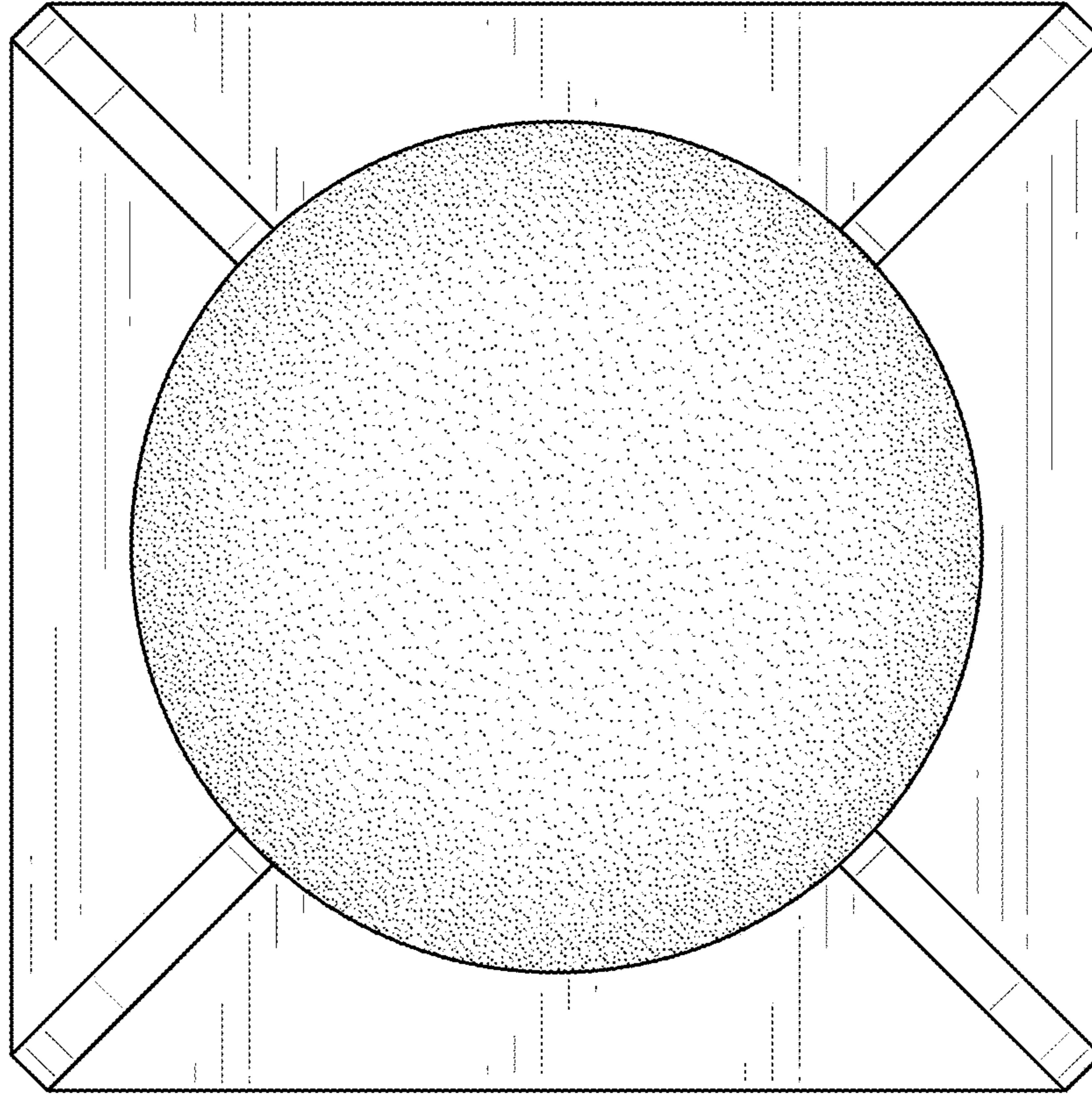


FIG. 28

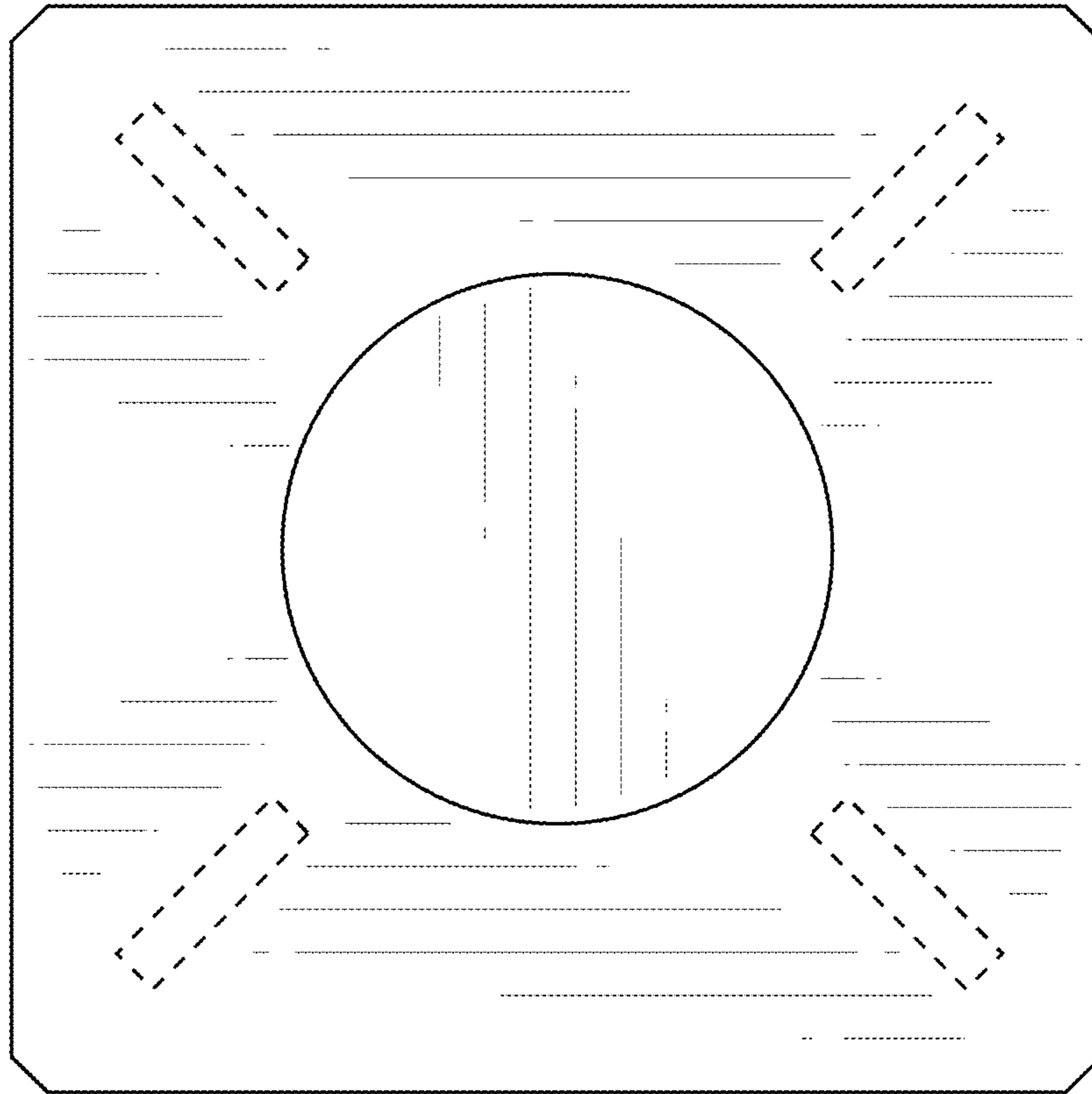


FIG. 29

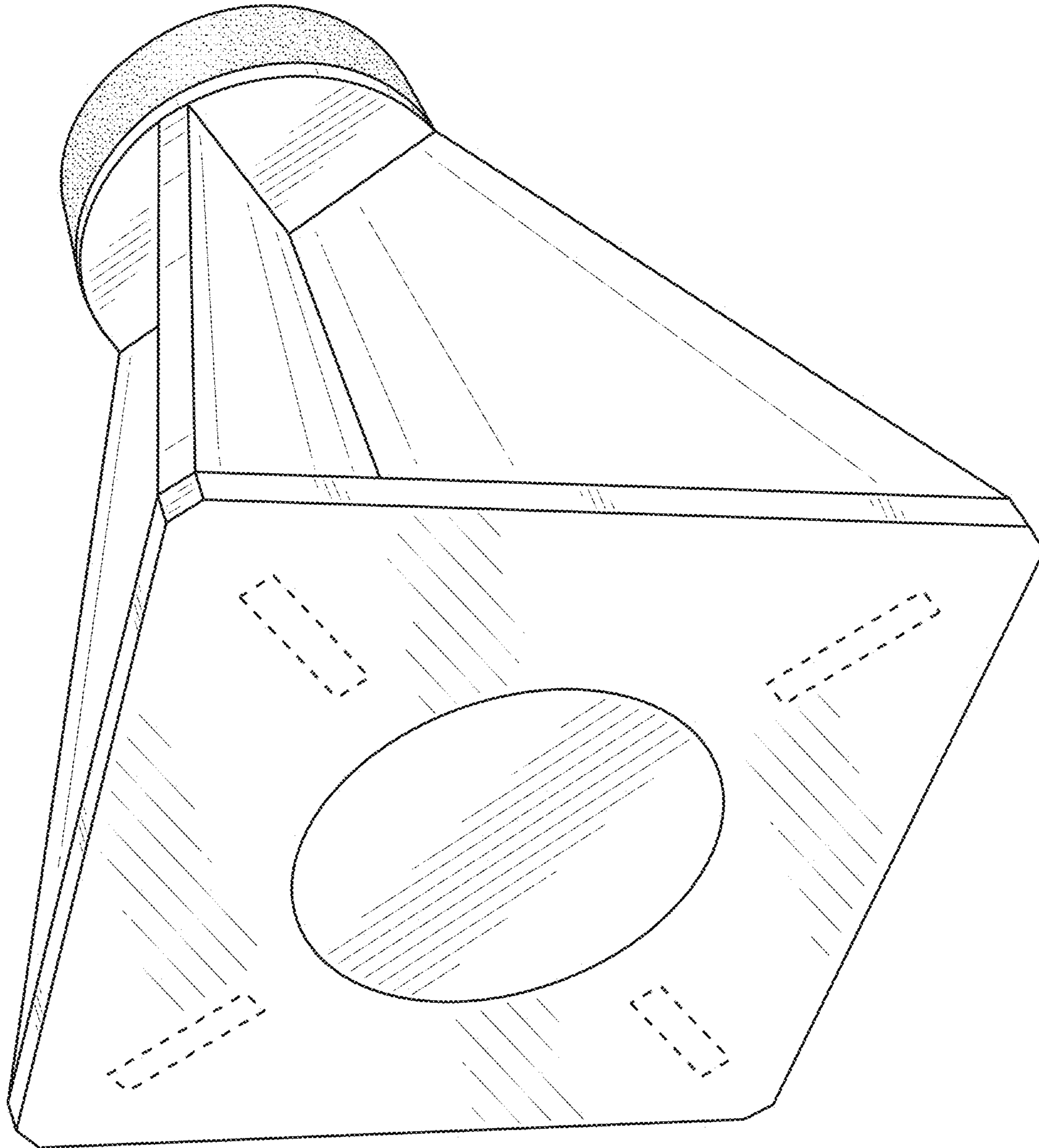


FIG. 30