



US00D935314S

(12) **United States Design Patent** (10) **Patent No.:** **US D935,314 S**
Esteves et al. (45) **Date of Patent:** **** Nov. 9, 2021**

(54) **ROTATIONAL COUPLER**
(71) Applicant: **AXIS LIGHTING INC.,** Lasalle (CA)
(72) Inventors: **Joseph Esteves,** Lasalle (CA); **Andrew Miles,** Lasalle (CA); **Howard Yaphe,** Lasalle (CA); **Thomas James,** Lasalle (CA)
(73) Assignee: **Axis Lighting Inc.,** LaSalle (CA)
(**) Term: **15 Years**

D510,017 S * 9/2005 Messina D8/395
D513,264 S * 12/2005 Hayashi D14/483
D514,612 S * 2/2006 Boele D16/235
D557,574 S * 12/2007 Hein D8/18
7,722,230 B2 * 5/2010 Chien H04N 5/2354
362/382
D638,572 S * 5/2011 Lee D26/113
7,985,005 B2 7/2011 Alexander
D687,702 S * 8/2013 Yates D8/396
9,183,975 B2 * 11/2015 Aigner F16F 1/10
9,618,172 B1 * 4/2017 Means, III F21S 8/066
D791,395 S * 7/2017 Doust D26/113
(Continued)

(21) Appl. No.: **29/624,856**
(22) Filed: **Nov. 3, 2017**

Related U.S. Application Data

(63) Continuation of application No. 15/603,070, filed on May 23, 2017, now Pat. No. 10,066,812.
(51) **LOC (13) Cl.** **08-08**
(52) **U.S. Cl.**
USPC **D8/382**
(58) **Field of Classification Search**
USPC D8/382, 354, 349, 19, 399, 71; D26/25, D26/74, 83, 84, 113, 138, 142
CPC F21V 17/00; F21V 17/06; F21V 17/104; F21V 21/00; F21V 21/005; F21V 21/34; F21S 8/066
See application file for complete search history.

References Cited

U.S. PATENT DOCUMENTS

D272,392 S * 1/1984 Bigelow 280/86.753
4,778,252 A * 10/1988 Filho F16B 21/10
279/133
D327,111 S * 6/1992 Hemming D22/134
D335,441 S * 5/1993 Fraker D8/369
D486,602 S * 2/2004 Hines D13/134
6,929,226 B1 * 8/2005 Philistine F16B 21/02
248/222.12

OTHER PUBLICATIONS

U.S. Appl. No. 15/603,070, filed May 23, 2017.

Primary Examiner — Holly E Thurman
Assistant Examiner — Ieisha N Pricc

(74) *Attorney, Agent, or Firm* — Barnes & Thornburg LLP

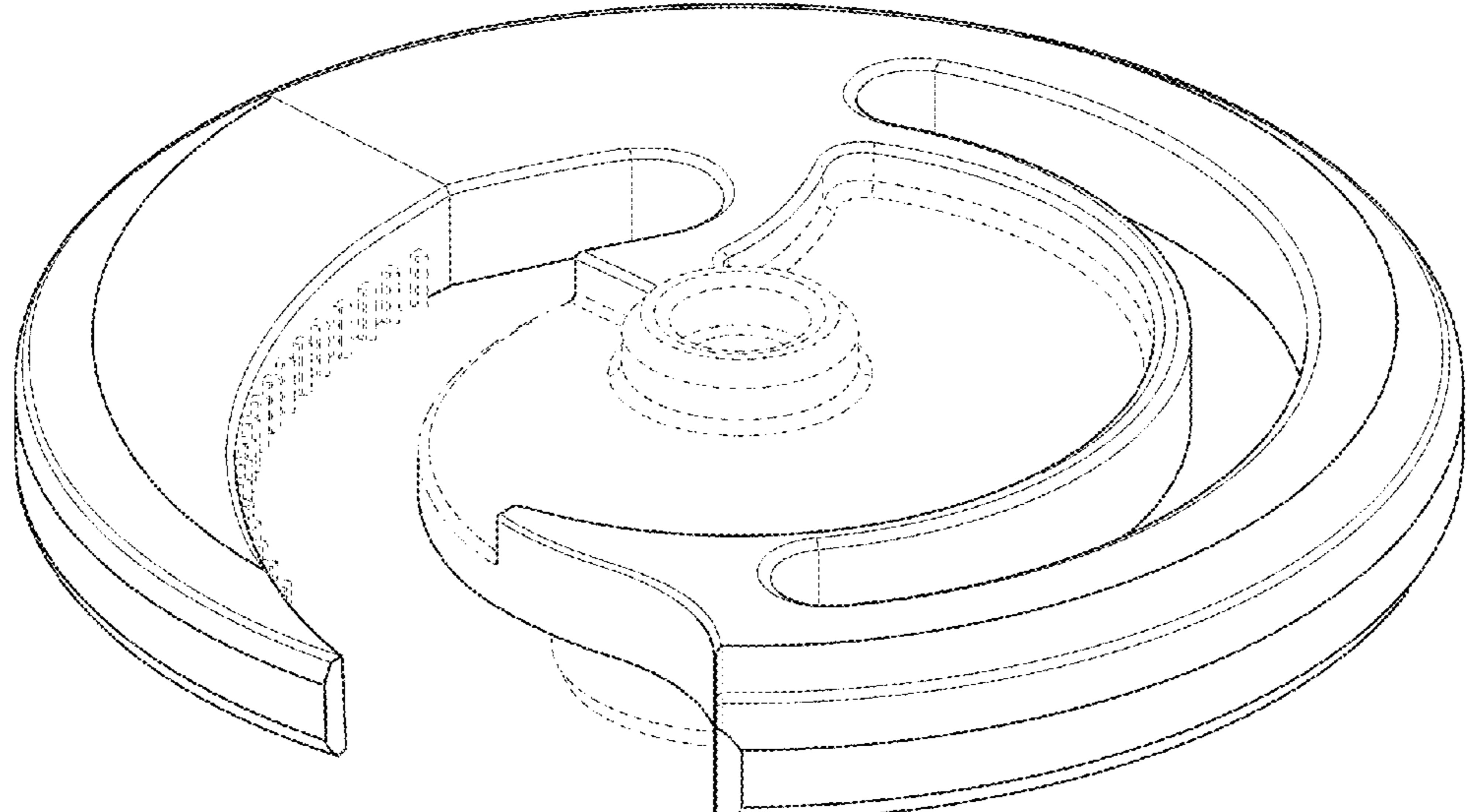
CLAIM

(57) What is claimed is the ornamental design for a rotational coupler, as shown and described.

DESCRIPTION

FIG. 1 is a perspective view as viewed from above the rotational coupler showing our design;
FIG. 2 is a perspective view as viewed from below thereof;
FIG. 3 is a left side elevational view thereof;
FIG. 4 is a front elevational view thereof;
FIG. 5 is a right side elevational view thereof;
FIG. 6 is a rear elevational view thereof;
FIG. 7 is a top plan view thereof; and,
FIG. 8 is a bottom plan view thereof.
The broken lines in the drawings illustrate portions of the rotational coupler and form no part of the claimed design. The dot-dot-dash broken lines in the drawings define the bounds of the claim and form no part thereof.

1 Claim, 6 Drawing Sheets



(56)

References Cited

U.S. PATENT DOCUMENTS

D799,935 S * 10/2017 Rashidi Doust D8/354
9,867,454 B2 * 1/2018 Castro A45F 5/02
D817,753 S * 5/2018 Pedley D8/399
10,066,812 B1 * 9/2018 Esteves F21V 17/06
10,677,427 B2 6/2020 Esteves et al.
2005/0254263 A1 11/2005 Harwood
2011/0163341 A1 * 7/2011 Van Elmpt F21V 5/04
257/98
2013/0111711 A1 * 5/2013 Haase A45F 5/00
24/307
2016/0039596 A1 * 2/2016 Nelson B05B 1/34
239/463
2016/0102724 A1 * 4/2016 Potter F16F 1/027
267/161
2017/0211762 A1 7/2017 Thomas
2018/0252393 A1 * 9/2018 Layne F21V 21/005

* cited by examiner

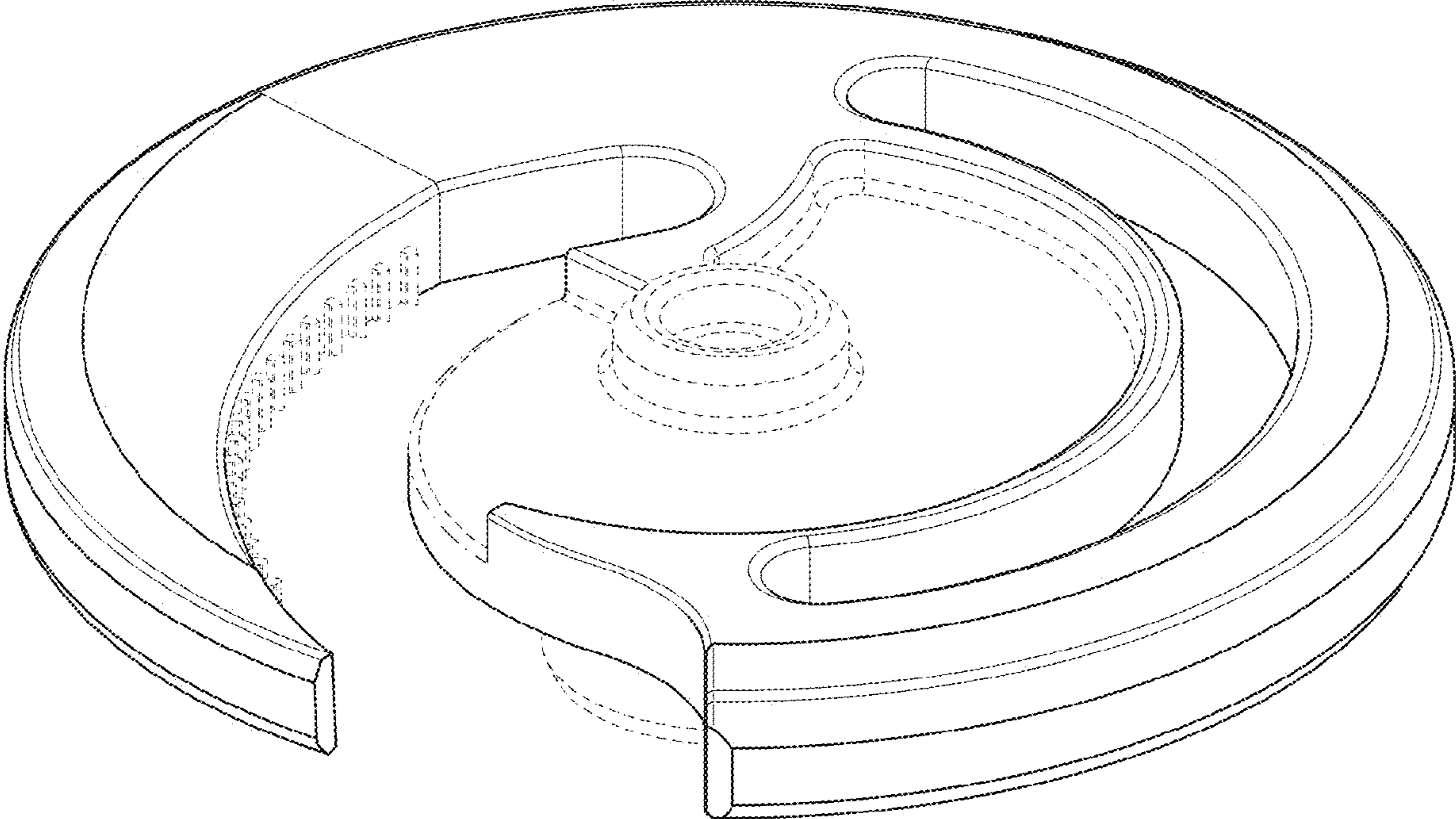


FIG. 1

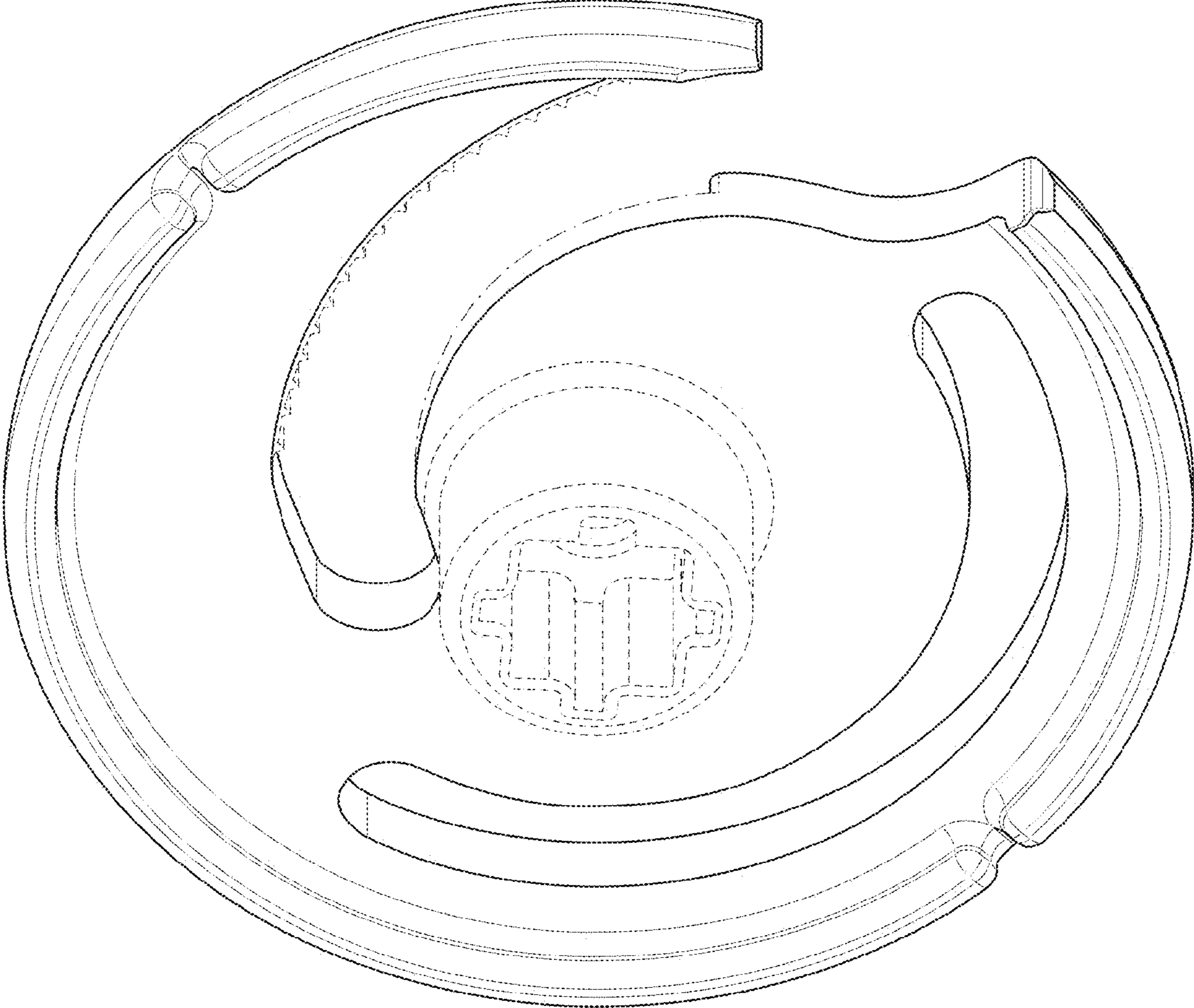


FIG. 2

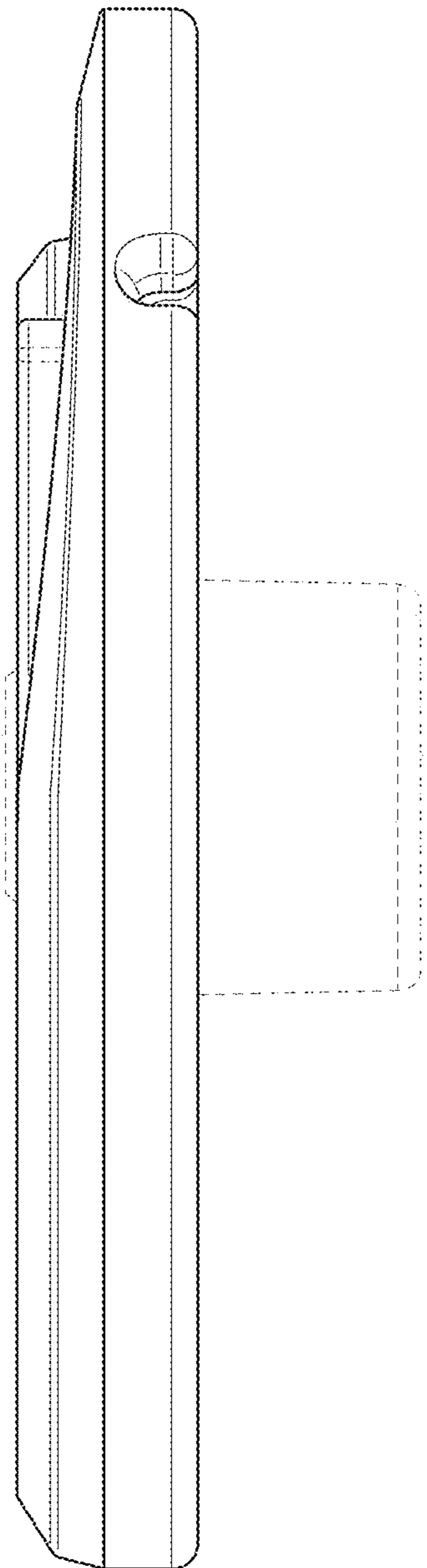


FIG. 3

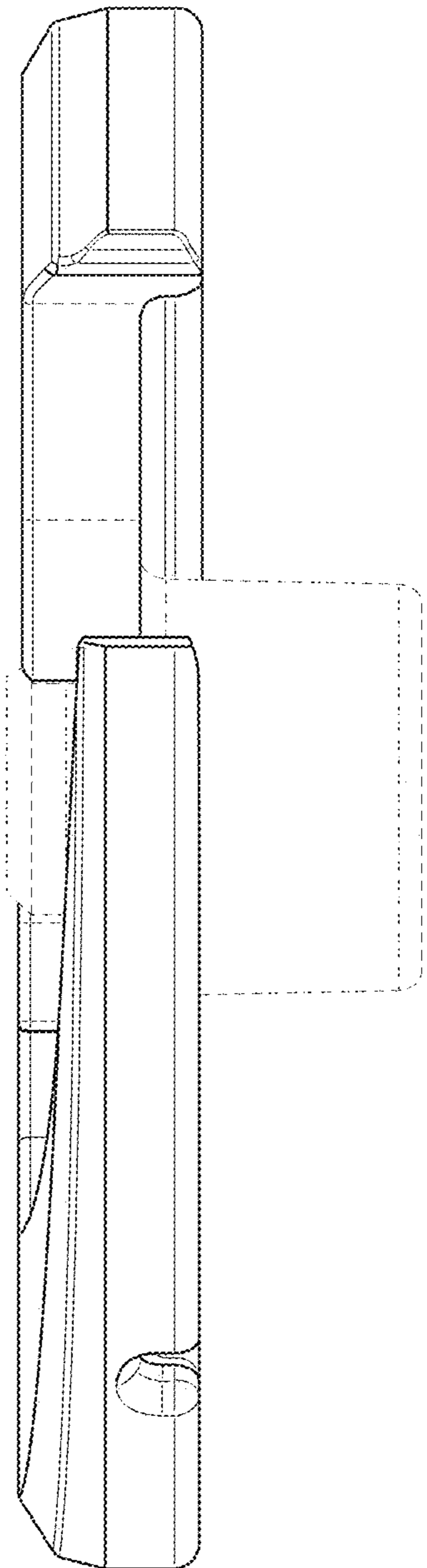


FIG. 4

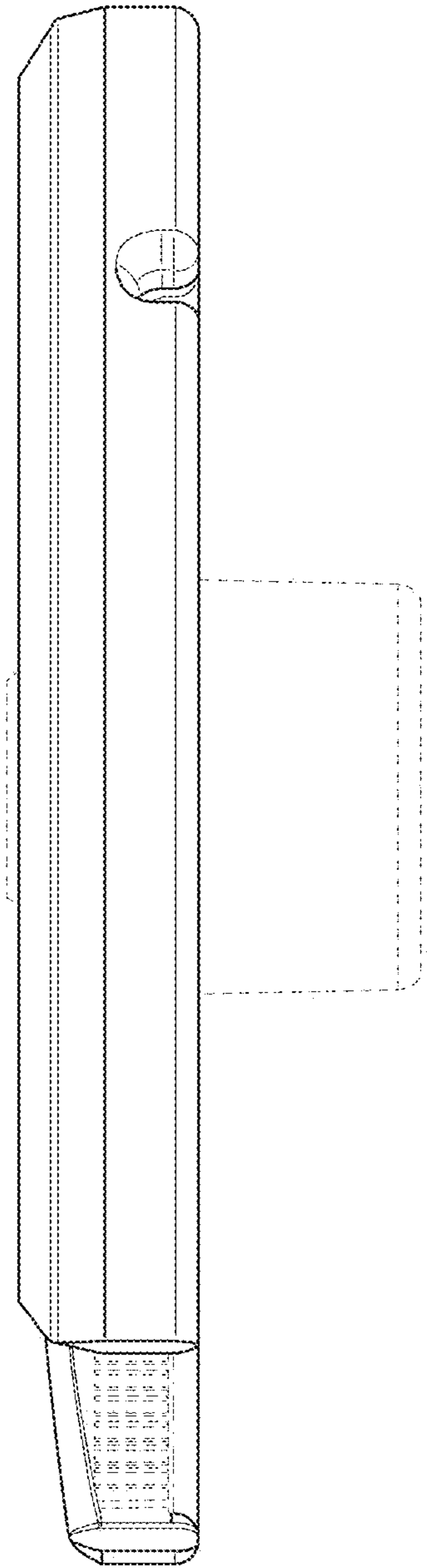


FIG. 5

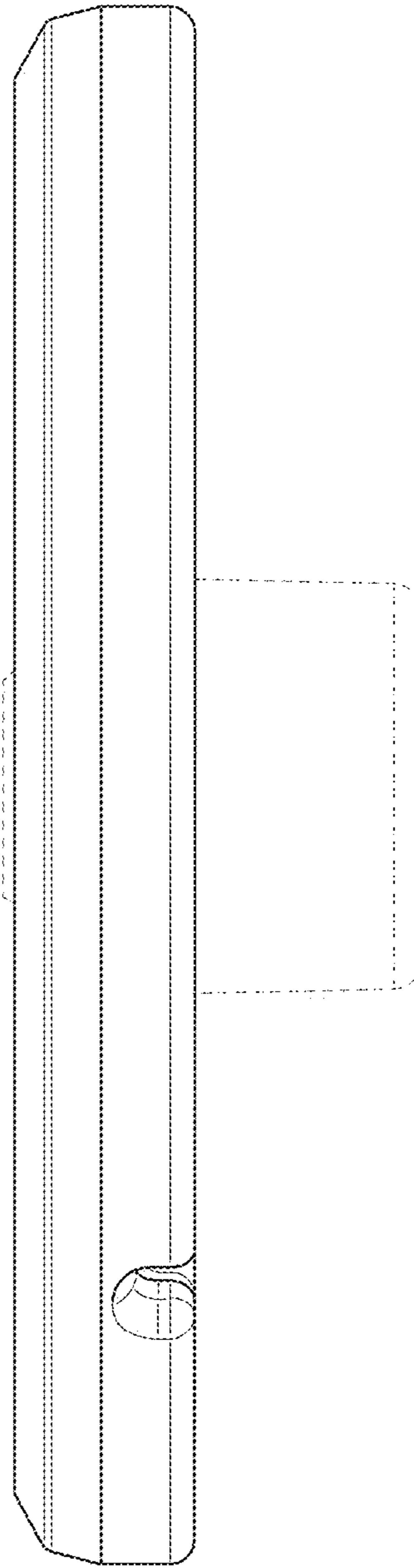


FIG. 6

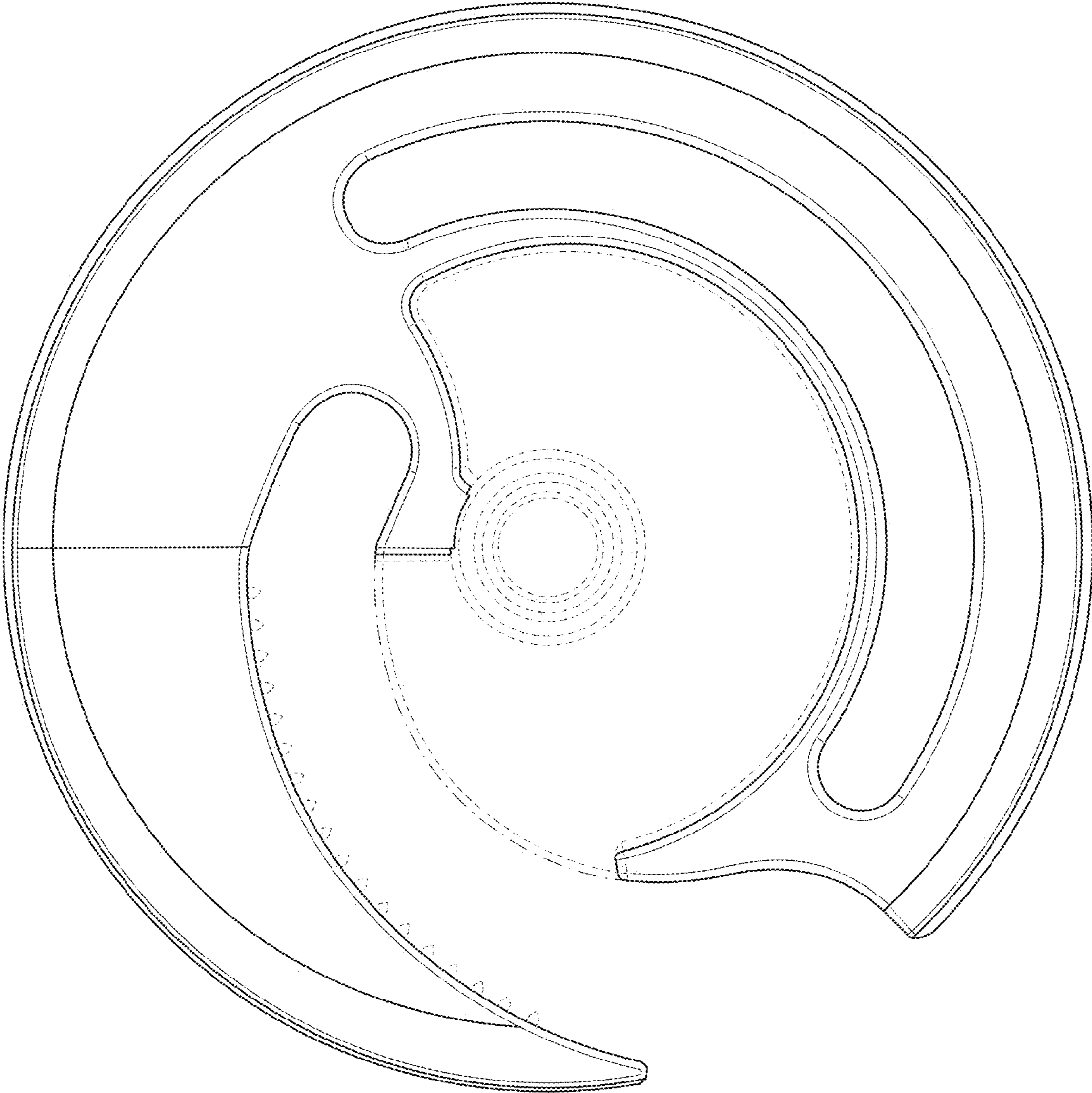


FIG. 7

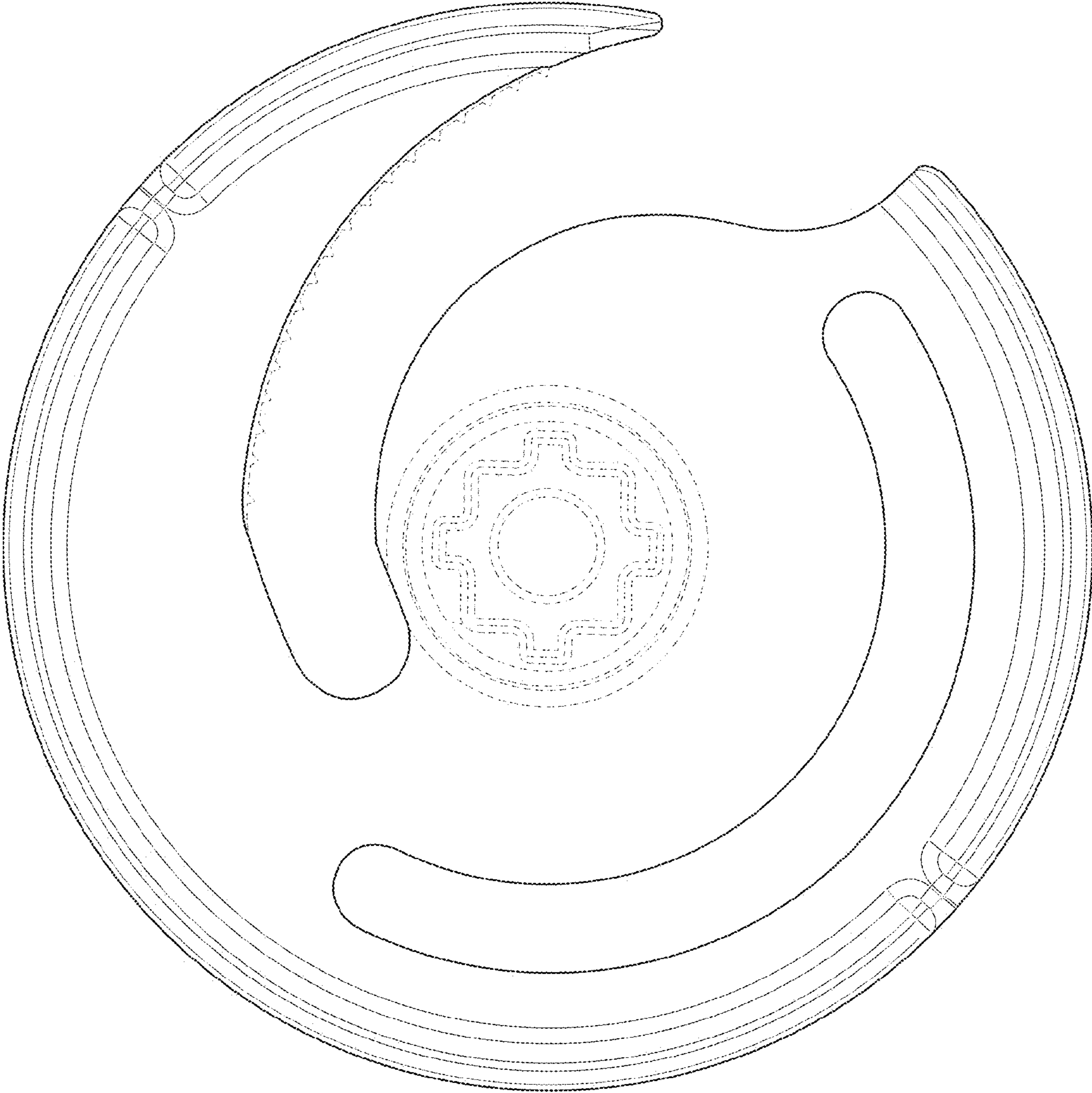


FIG. 8