



US00D935313S

(12) **United States Design Patent** (10) **Patent No.:** **US D935,313 S**
Fox (45) **Date of Patent:** **** Nov. 9, 2021**

(54) **ANCHOR DEVICE FOR A WOODEN POST**

7,850,148 B2 * 12/2010 Collins, IV E04H 17/20
256/65.14

(71) Applicant: **FOX HARDWOOD LUMBER COMPANY, L.L.C.**, Franklin, TN (US)

D703,029 S 4/2014 Fox
D757,208 S * 5/2016 Ferman D22/125
D899,902 S * 10/2020 Barnes D8/354
11,072,940 B2 * 7/2021 Benton E04H 12/2215

(72) Inventor: **Samuel Fox**, Franklin, TN (US)

* cited by examiner

(73) Assignee: **FOX HARDWOOD LUMBER, L.L.C.**, Franklin, TN (US)

Primary Examiner — Eliza Z Bennett-Hattan

(**) Term: **15 Years**

(74) *Attorney, Agent, or Firm* — Shane Cortesi

(21) Appl. No.: **29/663,399**

(57) **CLAIM**

(22) Filed: **Sep. 14, 2018**

The ornamental design for an anchor device for a wooden post, as shown and described.

(51) **LOC (13) Cl.** **08-05**

(52) **U.S. Cl.**
USPC **D8/373**

(58) **Field of Classification Search**
USPC D8/354, 366, 371, 372, 367, 374, 373,
D8/376, 375; D17/9, 20, 99; D6/708.16,
D6/710
CPC .. E04H 12/2269; E04H 12/2292; E02D 27/42
See application file for complete search history.

DESCRIPTION

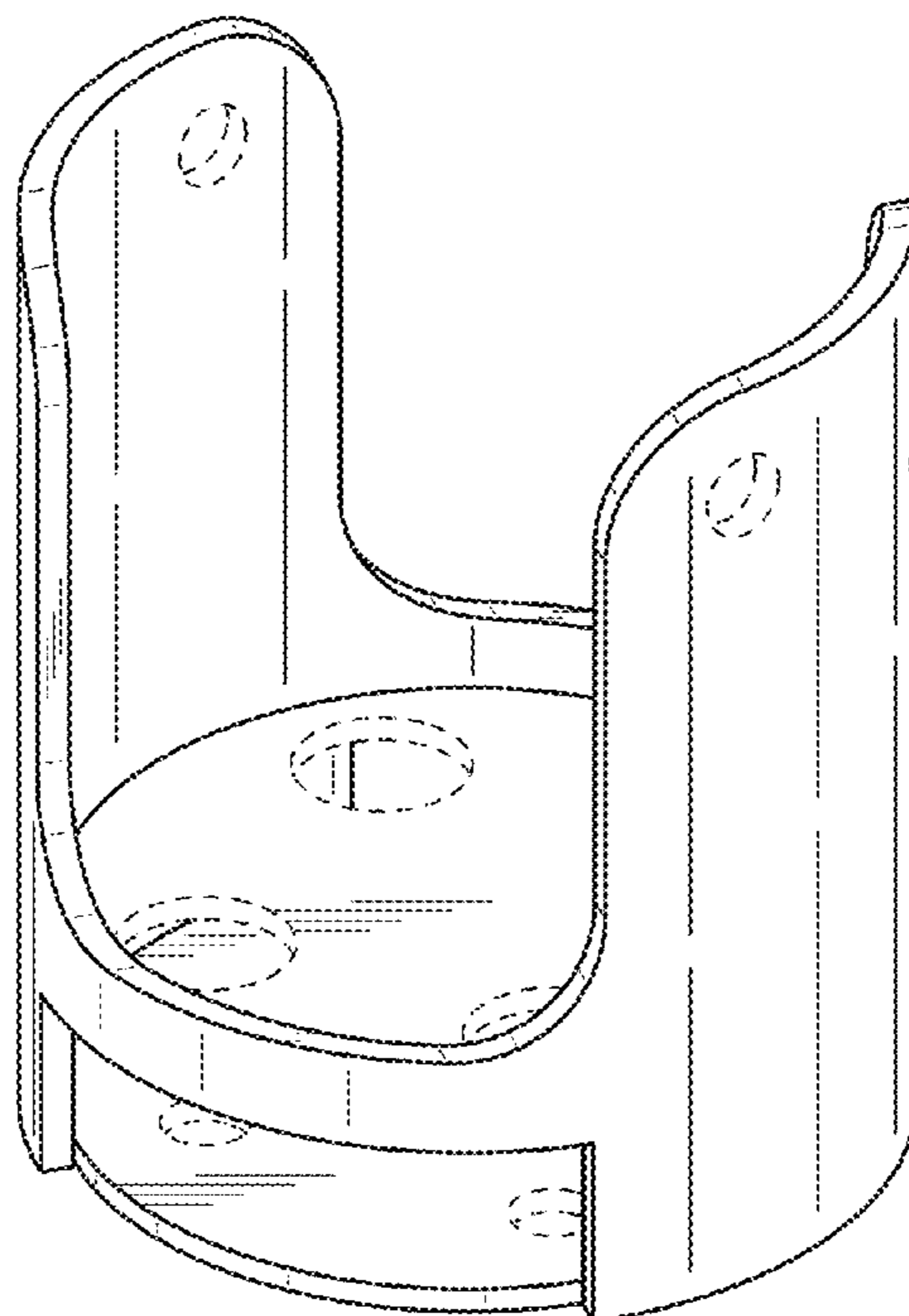
FIG. 1 is a front perspective view of an anchor device for a wooden post in accordance with the present invention. FIG. 2 is a bottom perspective view thereof. FIG. 3 is another front perspective view thereof. FIG. 4 is another front perspective view thereof. FIG. 5 is a top plan view thereof. FIG. 6 is a bottom plan view thereof. FIG. 7 is a front elevation view thereof, with the rear being a mirror image thereof. FIG. 8 is a right side elevation view thereof, with the left side being a mirror image thereof; and, FIG. 9 is a front perspective view thereof. The broken lines shown in the Figures depict environmental subject matter only and are not part of the claimed design.

(56) **References Cited**

U.S. PATENT DOCUMENTS

5,209,450 A * 5/1993 Grapes A47G 33/12
248/523
D369,958 S * 5/1996 Huang D8/382
5,946,871 A * 9/1999 Kassardjian E04C 5/161
52/301
6,523,808 B1 * 2/2003 Lehmann E04H 12/2269
256/65.01
D488,704 S * 4/2004 Mercier D8/354
6,868,641 B2 * 3/2005 Conner E01F 9/635
52/165

1 Claim, 3 Drawing Sheets



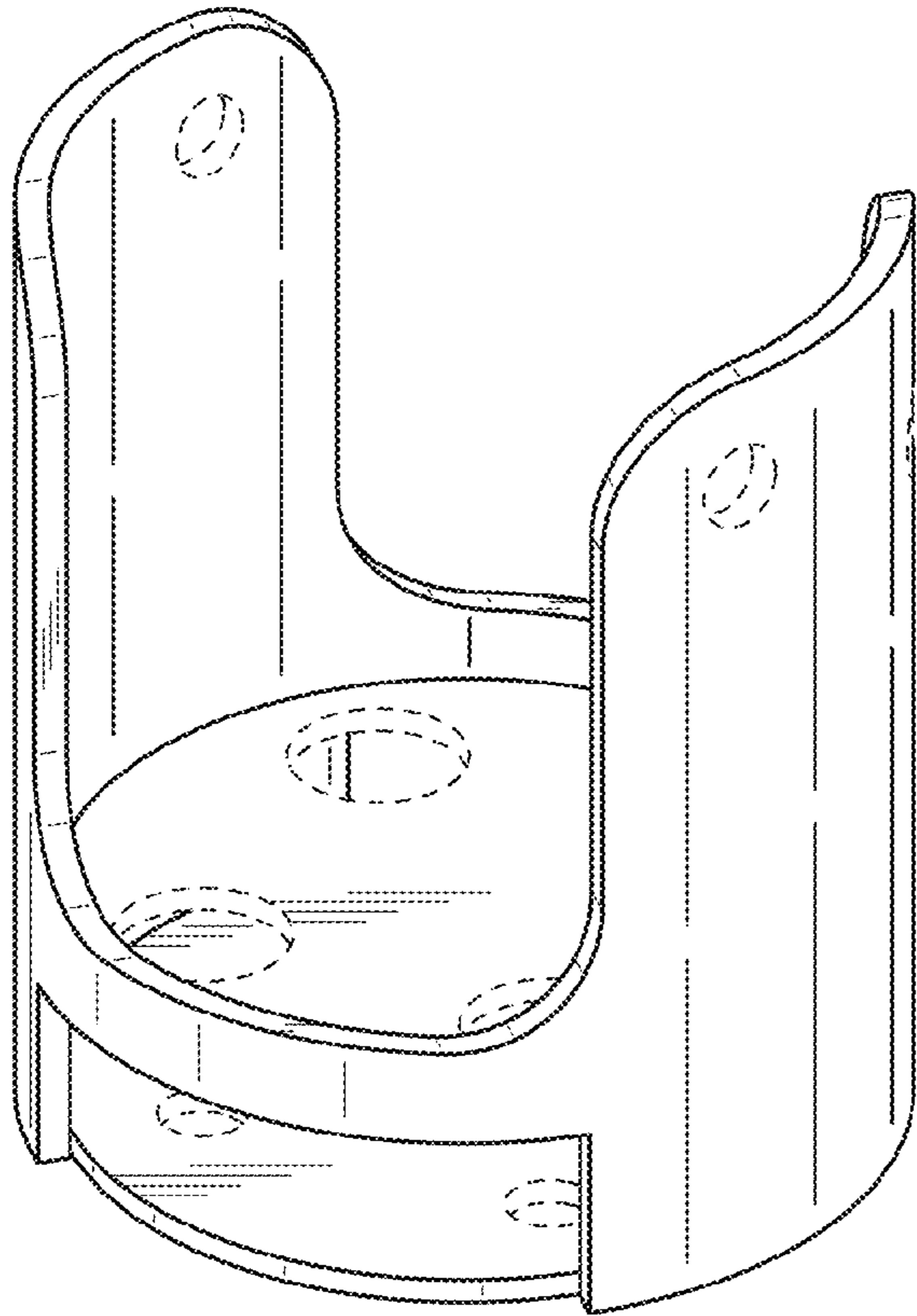


FIG. 1

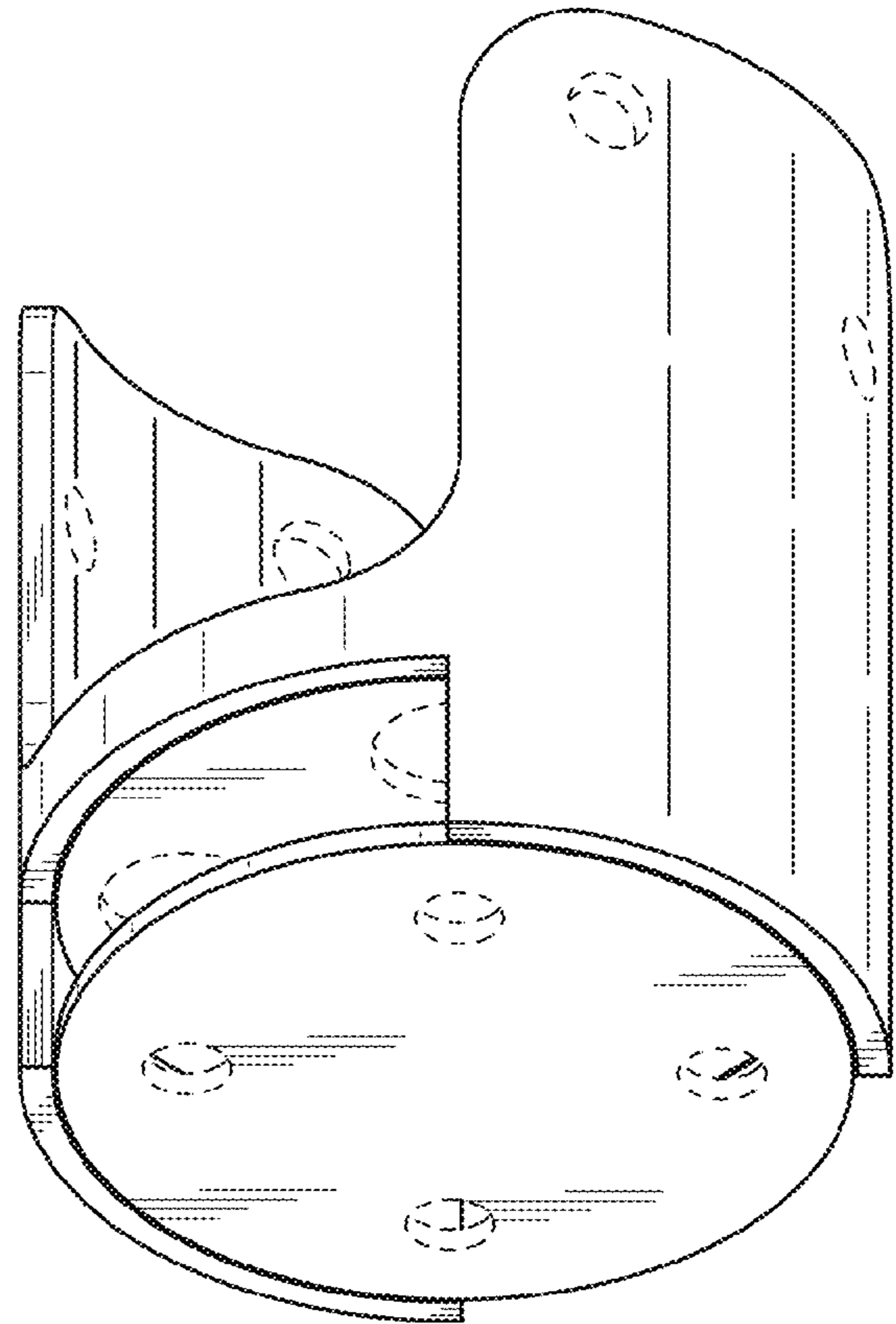


FIG. 2

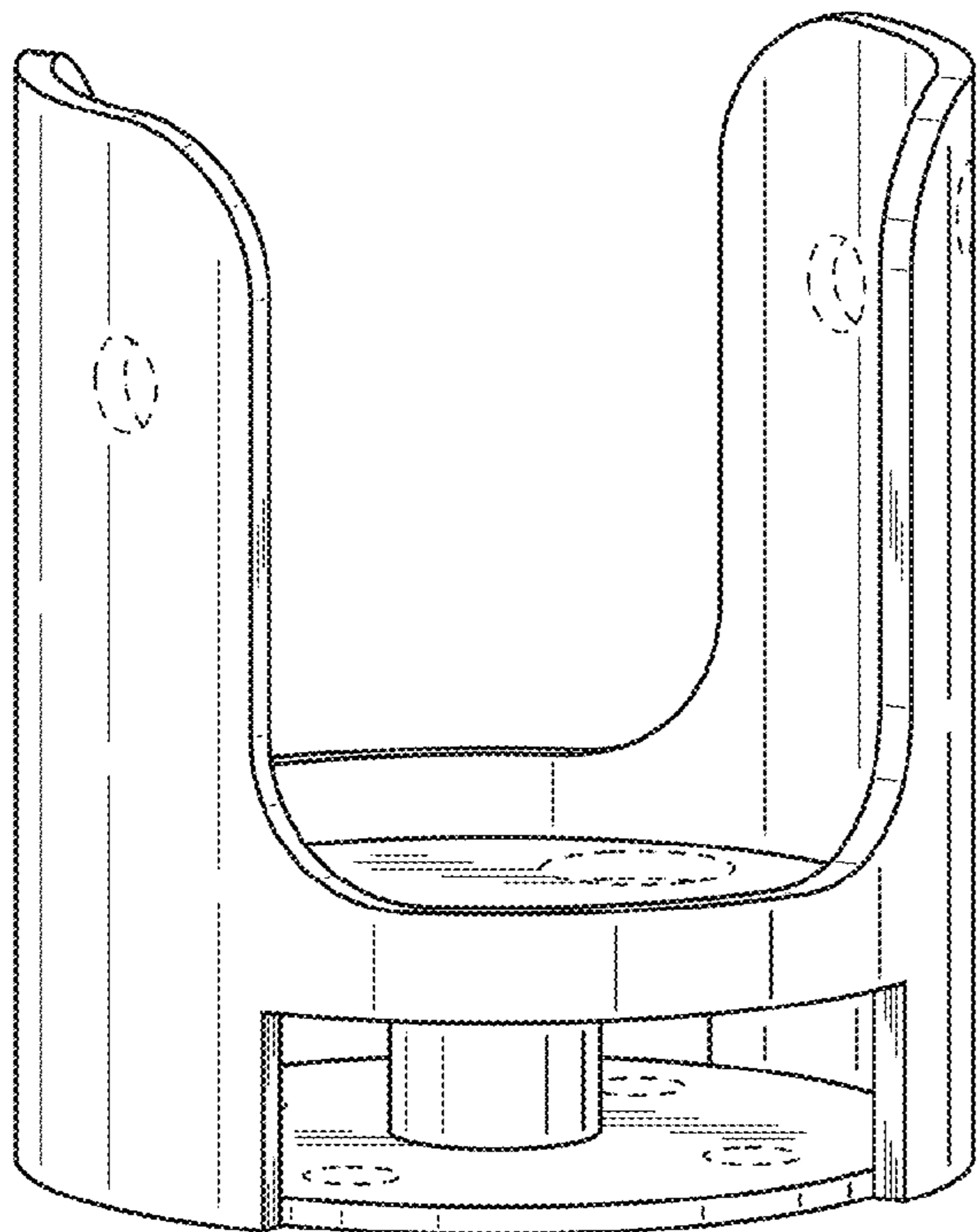


FIG. 3

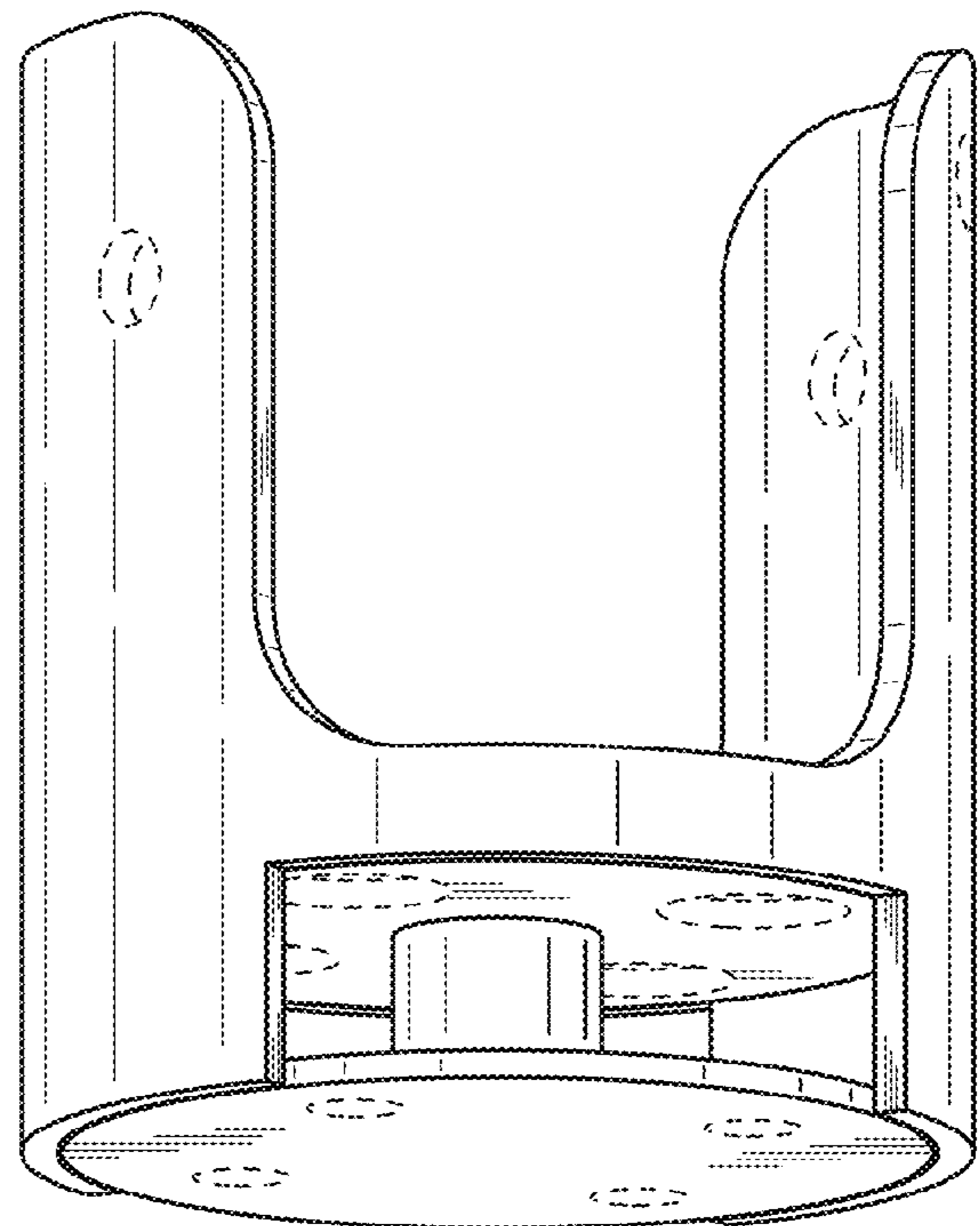


FIG. 4

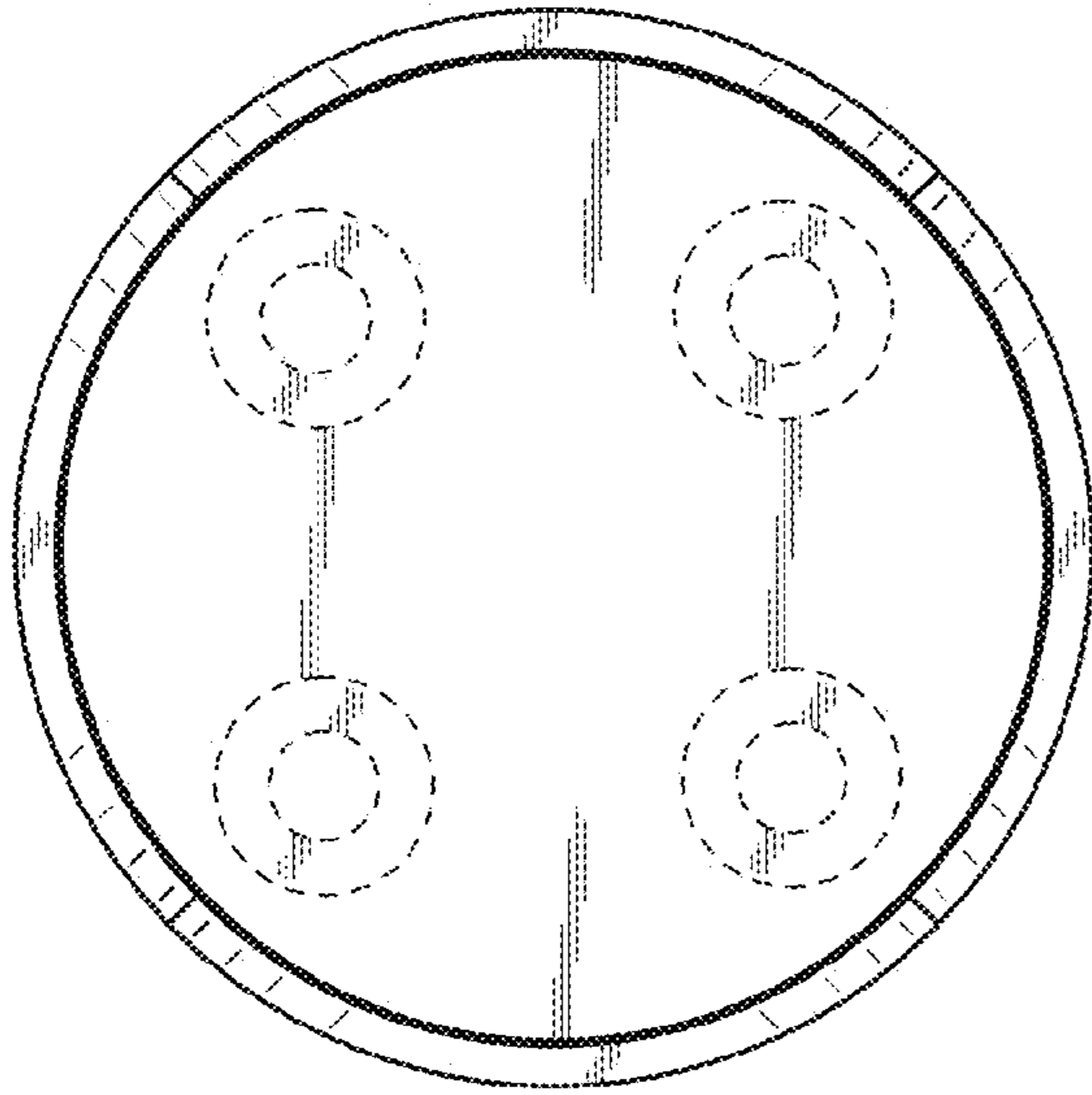


FIG. 5

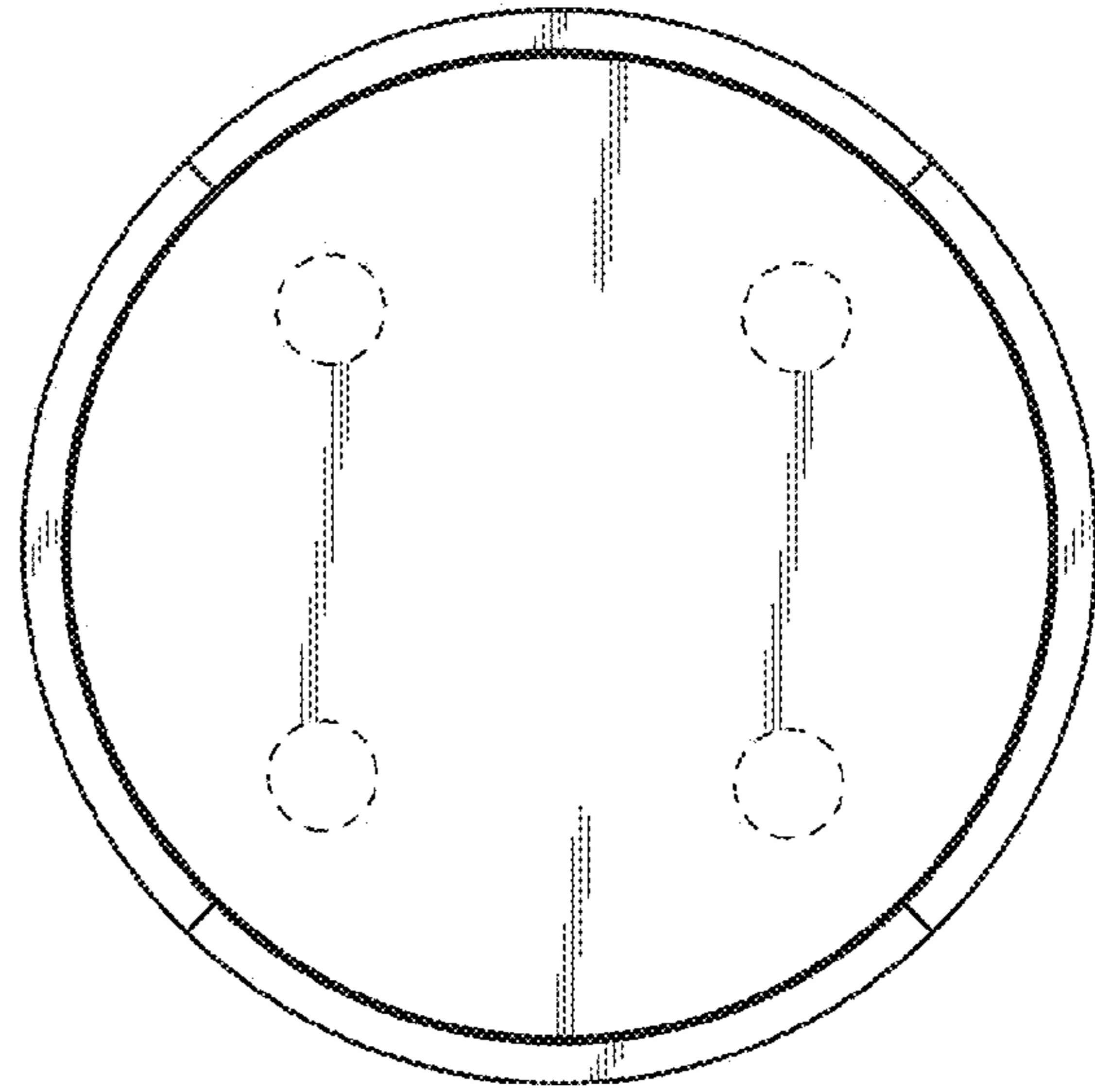


FIG. 6

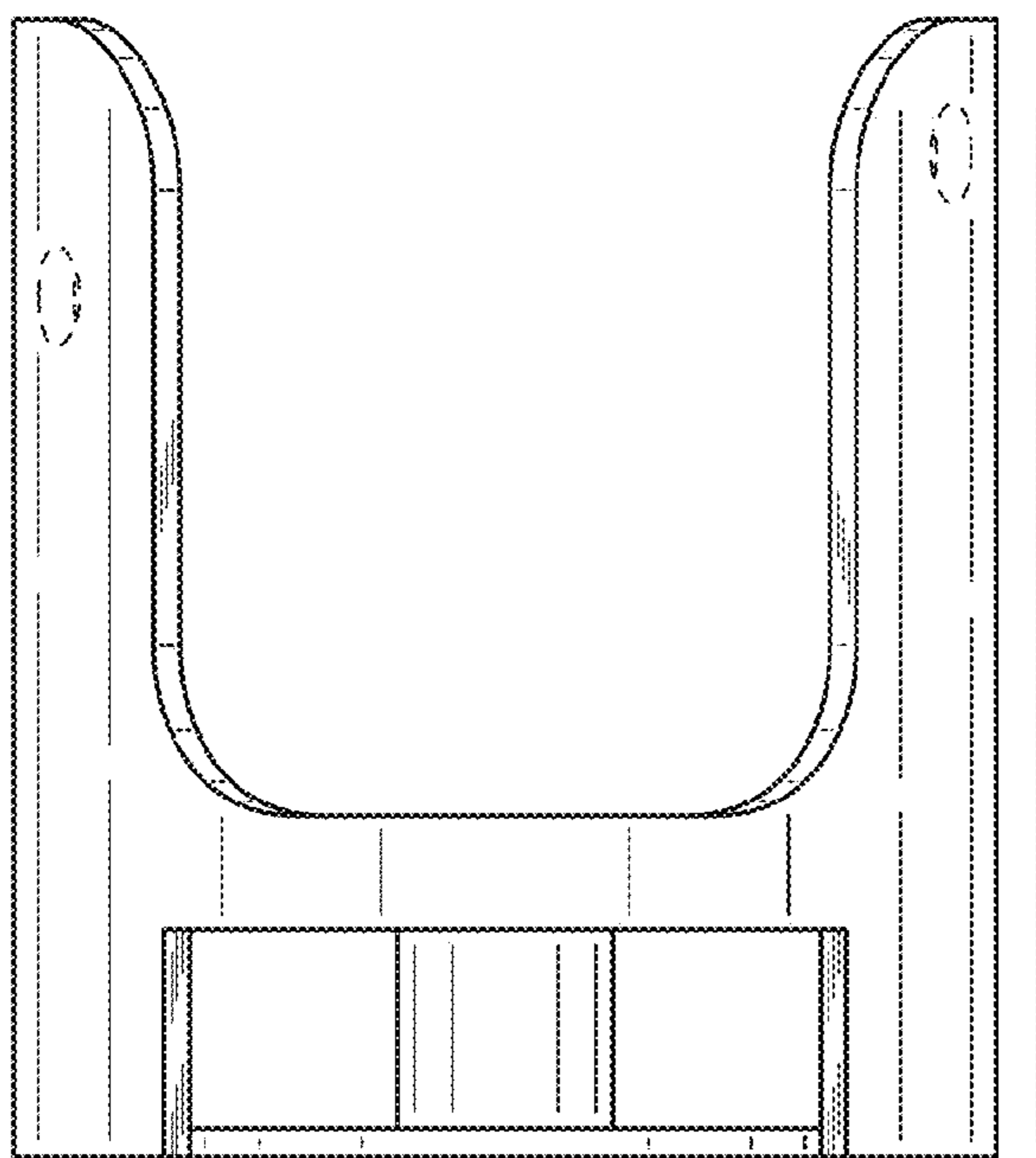


FIG. 7

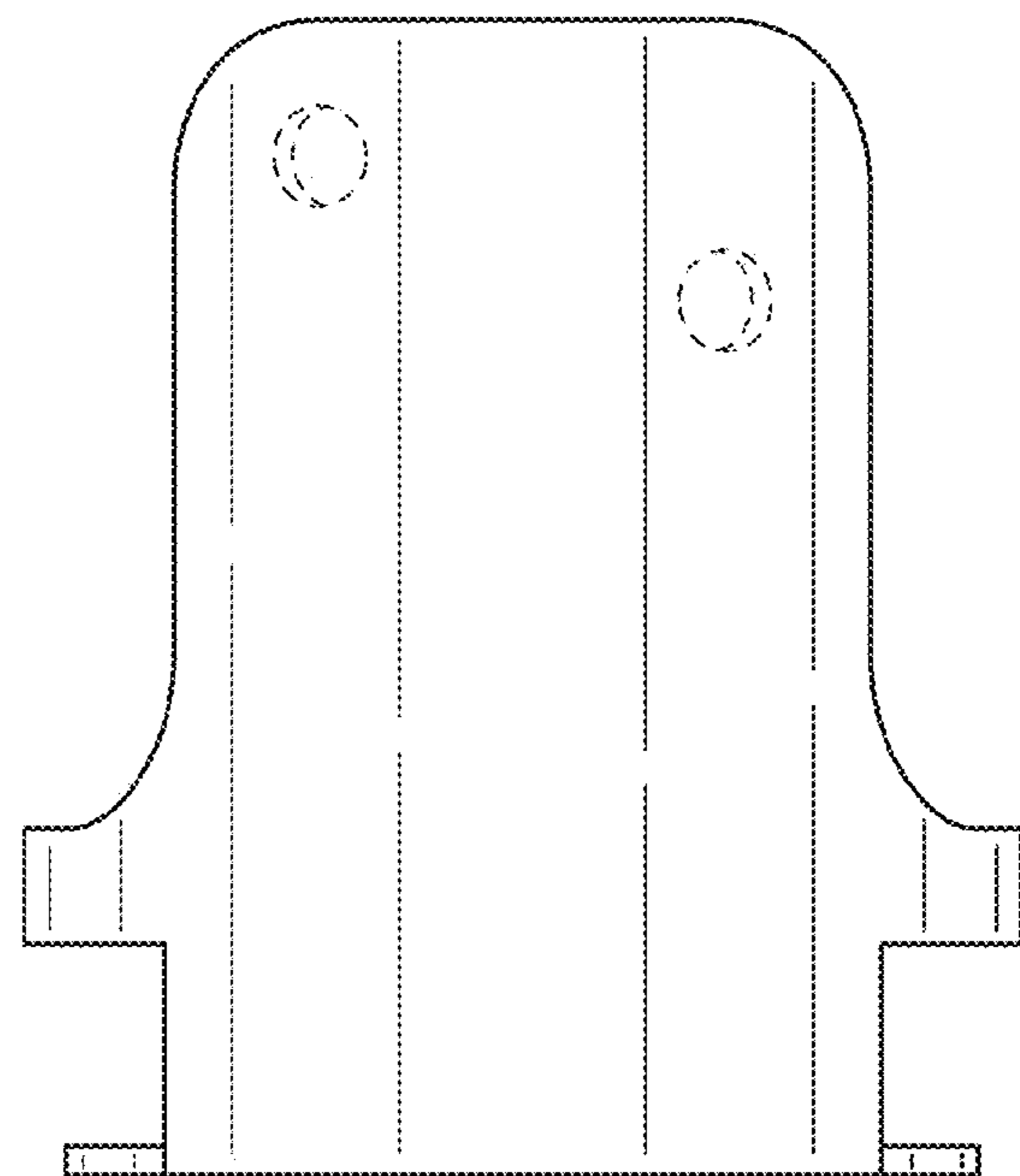


FIG. 8

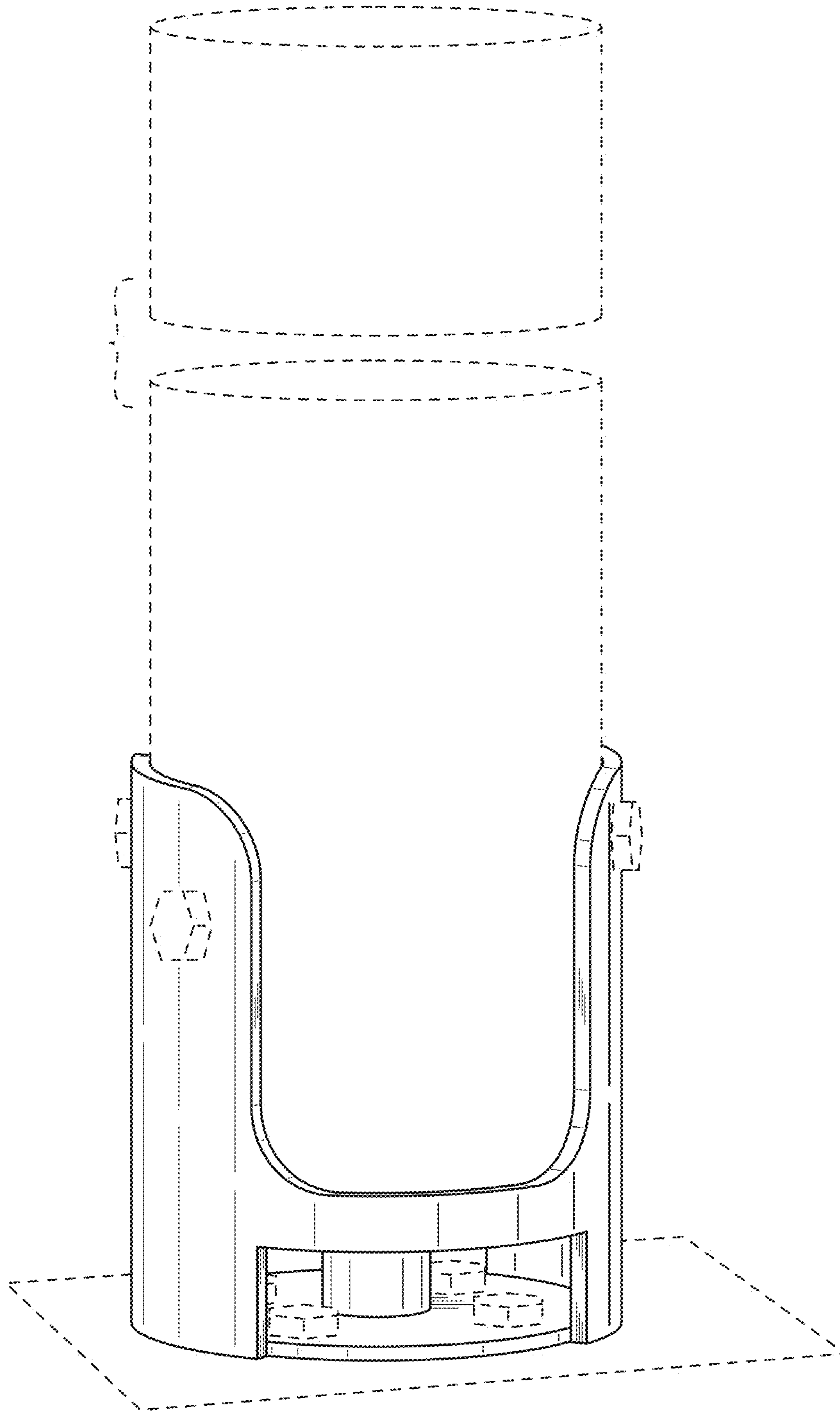


FIG. 9