



US00D935311S

(12) **United States Design Patent**
Xu

(10) **Patent No.:** **US D935,311 S**
(45) **Date of Patent:** **** Nov. 9, 2021**

(54) **PULLEY**

(71) Applicant: **Ting Xu**, Jinhua (CN)

(72) Inventor: **Ting Xu**, Jinhua (CN)

(**) Term: **15 Years**

(21) Appl. No.: **29/762,480**

(22) Filed: **Dec. 16, 2020**

(30) **Foreign Application Priority Data**

Nov. 26, 2020 (EM) 008285530

(51) **LOC (13) Cl.** **08-05**

(52) **U.S. Cl.**
USPC **D8/360**

(58) **Field of Classification Search**
USPC D8/360, 356, 354, 349
CPC A63B 29/00; A63B 27/00
See application file for complete search history.

(56) **References Cited**

U.S. PATENT DOCUMENTS

- 1,157,143 A * 10/1915 Blodgett B66D 3/04
254/411
- D314,905 S * 2/1991 Kehm D8/360
- 7,168,687 B2 * 1/2007 Thompson A63B 29/02
254/415
- D658,487 S * 5/2012 Chih D8/360
- D708,507 S * 7/2014 Fretz D8/360

- 9,187,298 B2 * 11/2015 DeSoo B66D 3/04
- 9,908,749 B2 * 3/2018 Lob B66D 3/04
- 10,071,890 B2 * 9/2018 Vik B63B 21/10
- D833,856 S 11/2018 Simonds et al.
- 10,322,918 B2 * 6/2019 Tamme F16H 55/50
- D860,766 S 9/2019 Brown
- D893,286 S * 8/2020 Xu D8/360
- D908,475 S * 1/2021 Grobe D8/360
- 2009/0114893 A1 * 5/2009 Lange B66D 3/04
254/390

* cited by examiner

Primary Examiner — Cynthia R Underwood
(74) *Attorney, Agent, or Firm* — ScienBiziP, P.C.

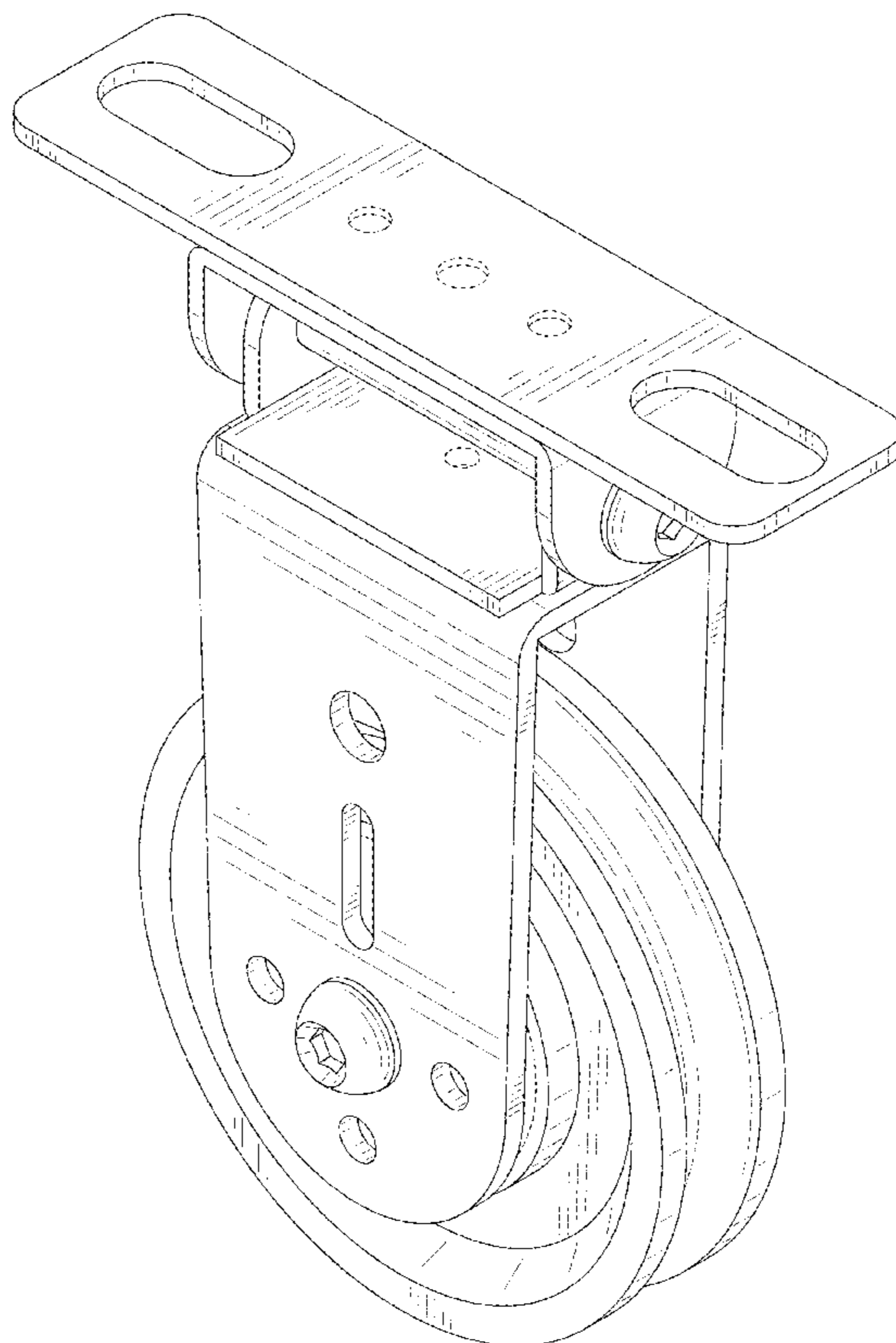
(57) **CLAIM**

The ornamental design for a pulley, as shown and described.

DESCRIPTION

FIG. 1 is a front and top perspective view of a pulley, showing my design.
 FIG. 2 is a rear and bottom perspective view thereof.
 FIG. 3 is a front elevation view thereof.
 FIG. 4 is a rear elevation view thereof.
 FIG. 5 is a left side elevation thereof.
 FIG. 6 is a right side elevation thereof.
 FIG. 7 is a top plan view thereof; and,
 FIG. 8 is a bottom plan view thereof.
 The broken lines are for environmental structure, boundaries, or illustrative purposes only and form no part of the claimed design to be patented.

1 Claim, 8 Drawing Sheets



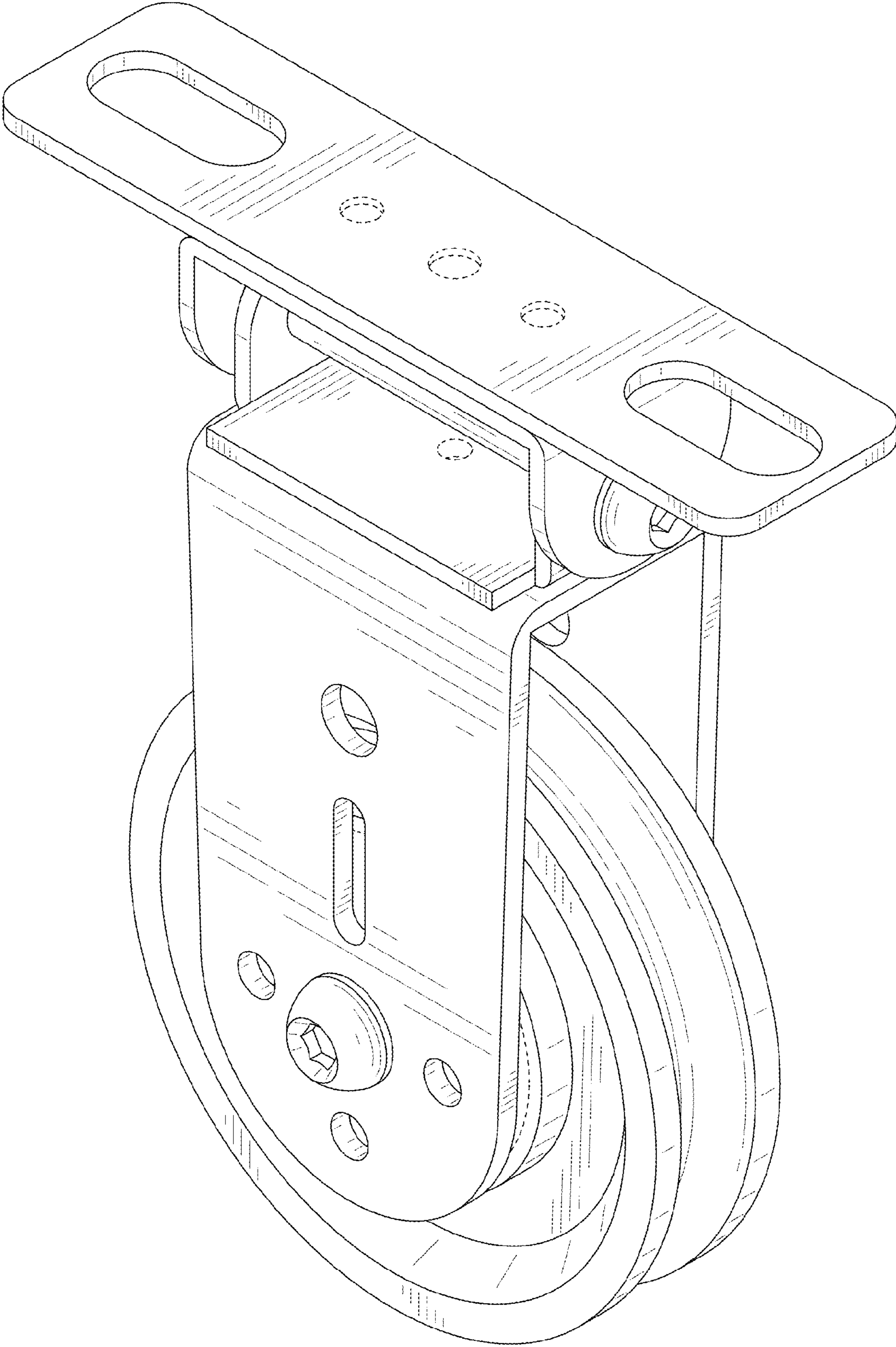


FIG. 1

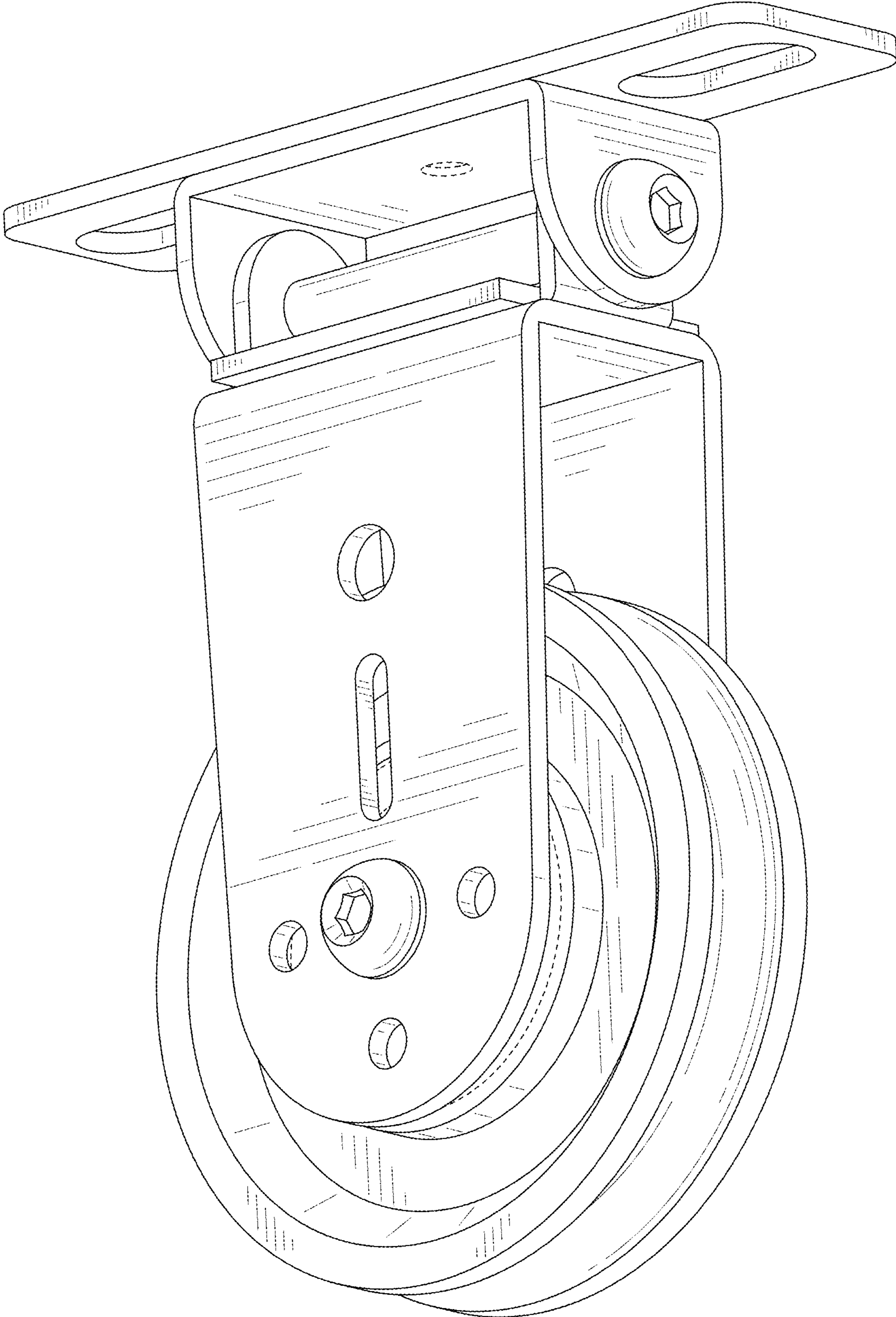


FIG. 2

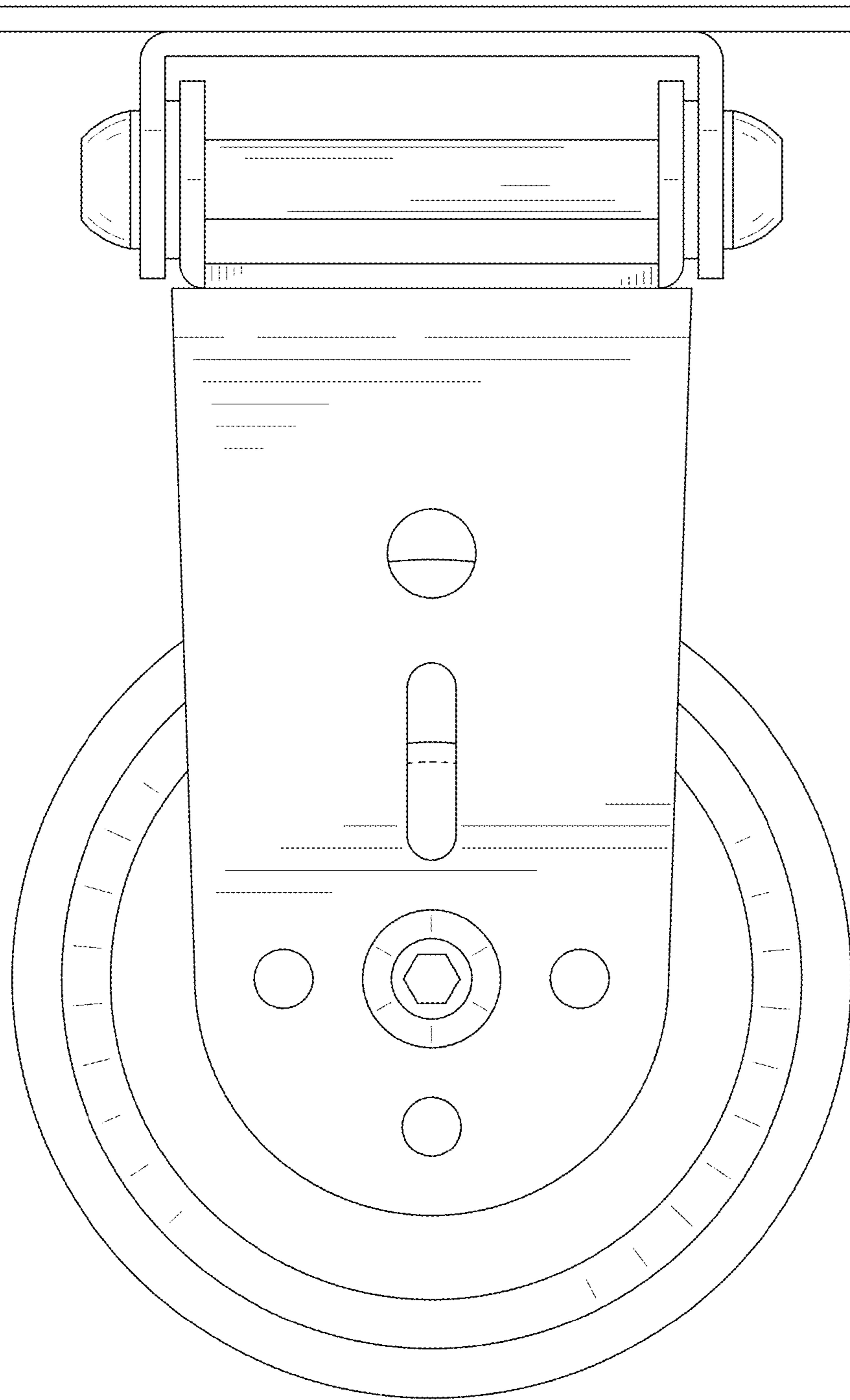


FIG. 3

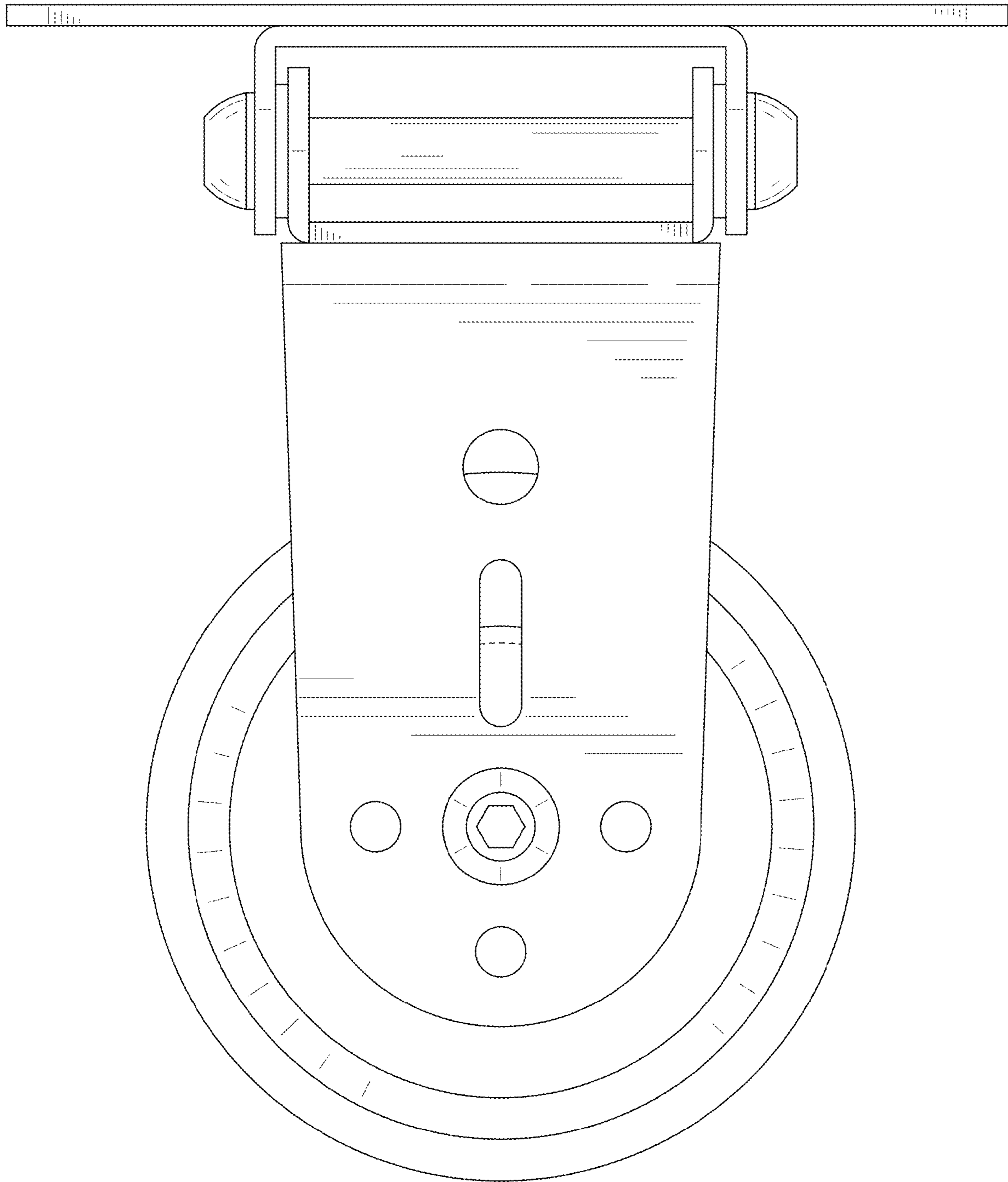


FIG. 4

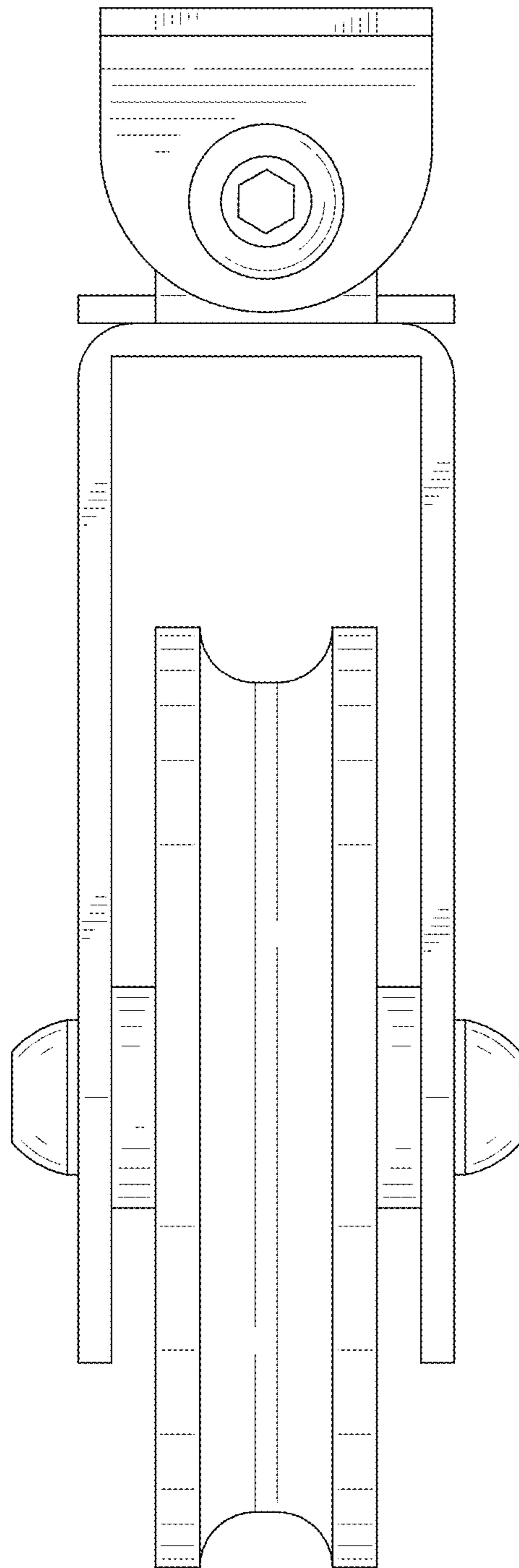


FIG. 5

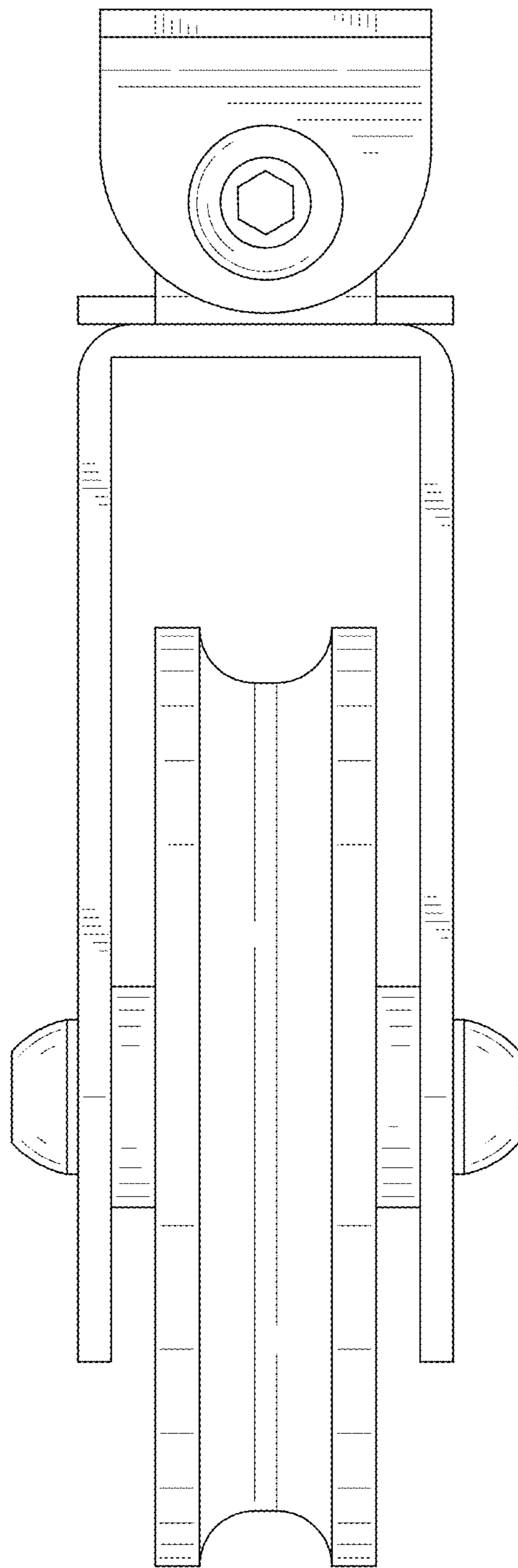


FIG. 6

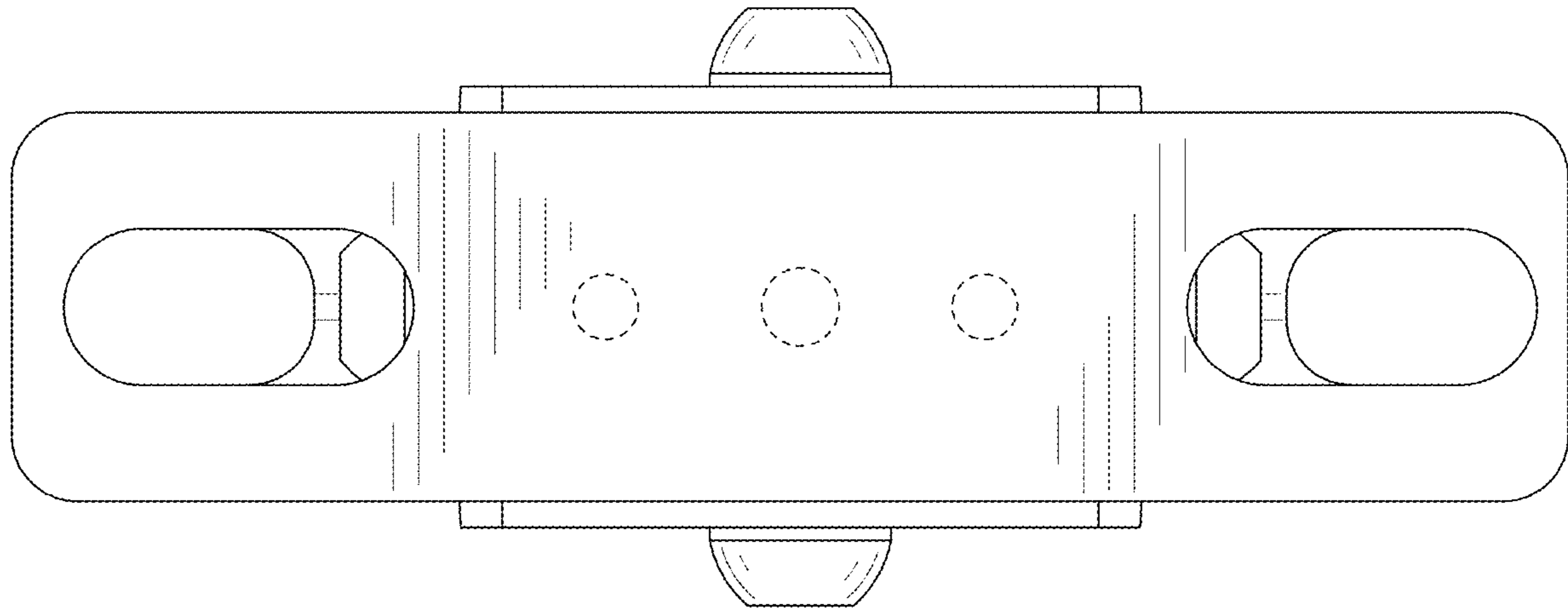


FIG. 7

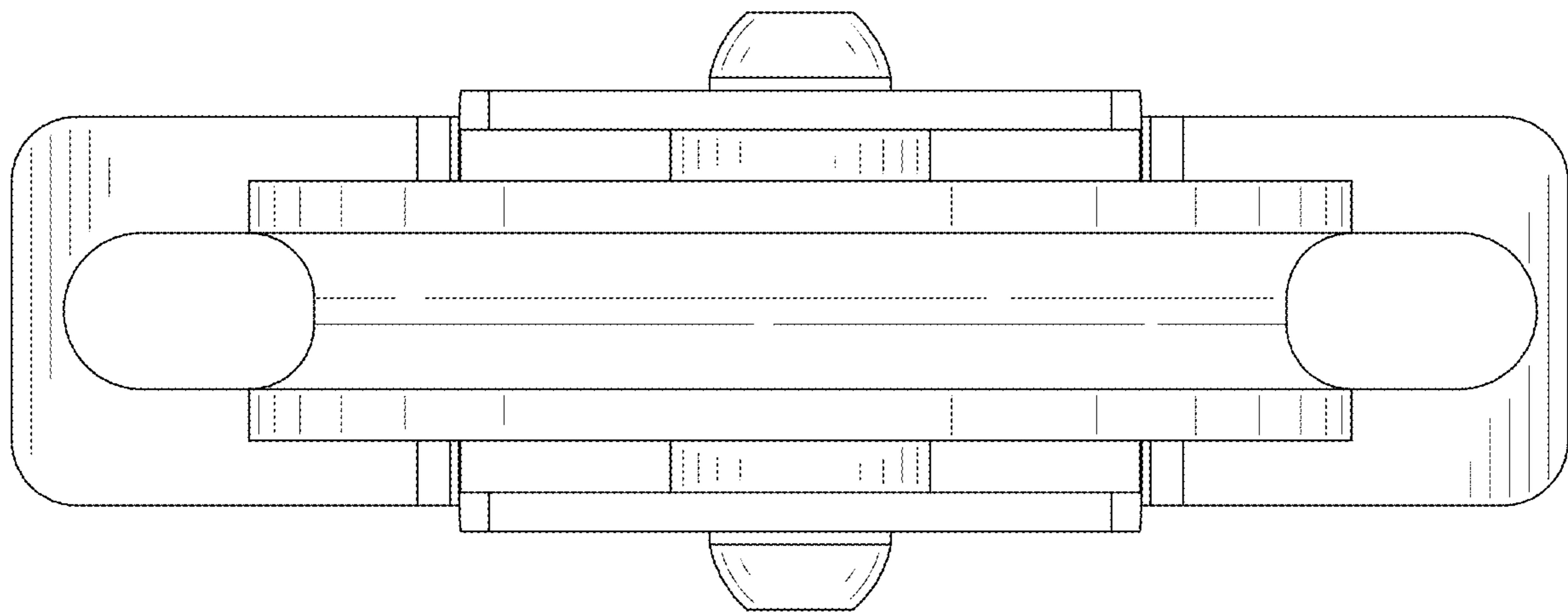


FIG. 8