



US00D935310S

(12) **United States Design Patent** (10) **Patent No.:** **US D935,310 S**
Adelman (45) **Date of Patent:** **** Nov. 9, 2021**

(54) **DOUBLE CARABINER**
(71) Applicant: **Nite Ize, Inc.**, Boulder, CO (US)
(72) Inventor: **Gregory M. Adelman**, Boulder, CO (US)
(73) Assignee: **Nite Ize, Inc.**, Boulder, CO (US)
(**) Term: **15 Years**
(21) Appl. No.: **29/785,915**
(22) Filed: **May 27, 2021**

Related U.S. Application Data

(63) Continuation of application No. 29/758,336, filed on Nov. 13, 2020.
(51) **LOC (13) Cl.** **09-06**
(52) **U.S. Cl.**
USPC **D8/356**
(58) **Field of Classification Search**
USPC D8/356, 354, 105, 349, 367; D3/207; 24/376
CPC B65H 57/16; B63B 21/045; A63B 29/08; A63B 27/02
See application file for complete search history.

References Cited

U.S. PATENT DOCUMENTS

582,780 A * 5/1897 Eldridge F16B 45/02 24/582.11
D577,574 S * 9/2008 Liang D8/356
D607,712 S * 1/2010 Kelleghan D8/356
D626,393 S * 11/2010 Ormsbee D8/34
D637,473 S * 5/2011 Mitchell D8/336
D646,556 S * 10/2011 Kelleghan D8/356
D669,764 S * 10/2012 Kelleghan D8/356
D702,106 S * 4/2014 Weinberg D8/356
D725,373 S * 3/2015 Jiang D3/207

D729,513 S * 5/2015 Jiang D3/207
9,255,602 B2 * 2/2016 Liang F16B 45/06
D762,460 S * 8/2016 Gobbi D8/356
D765,493 S * 9/2016 Spater D8/356
D766,071 S * 9/2016 Spater D8/356
D767,975 S * 10/2016 Jiang D8/356
9,521,939 B2 * 12/2016 Haarbuerger A47L 13/16
D775,513 S * 1/2017 Kelleghan D8/356

(Continued)

Primary Examiner — Cynthia R Underwood
(74) *Attorney, Agent, or Firm* — Haynes and Boone, LLP

(57) **CLAIM**

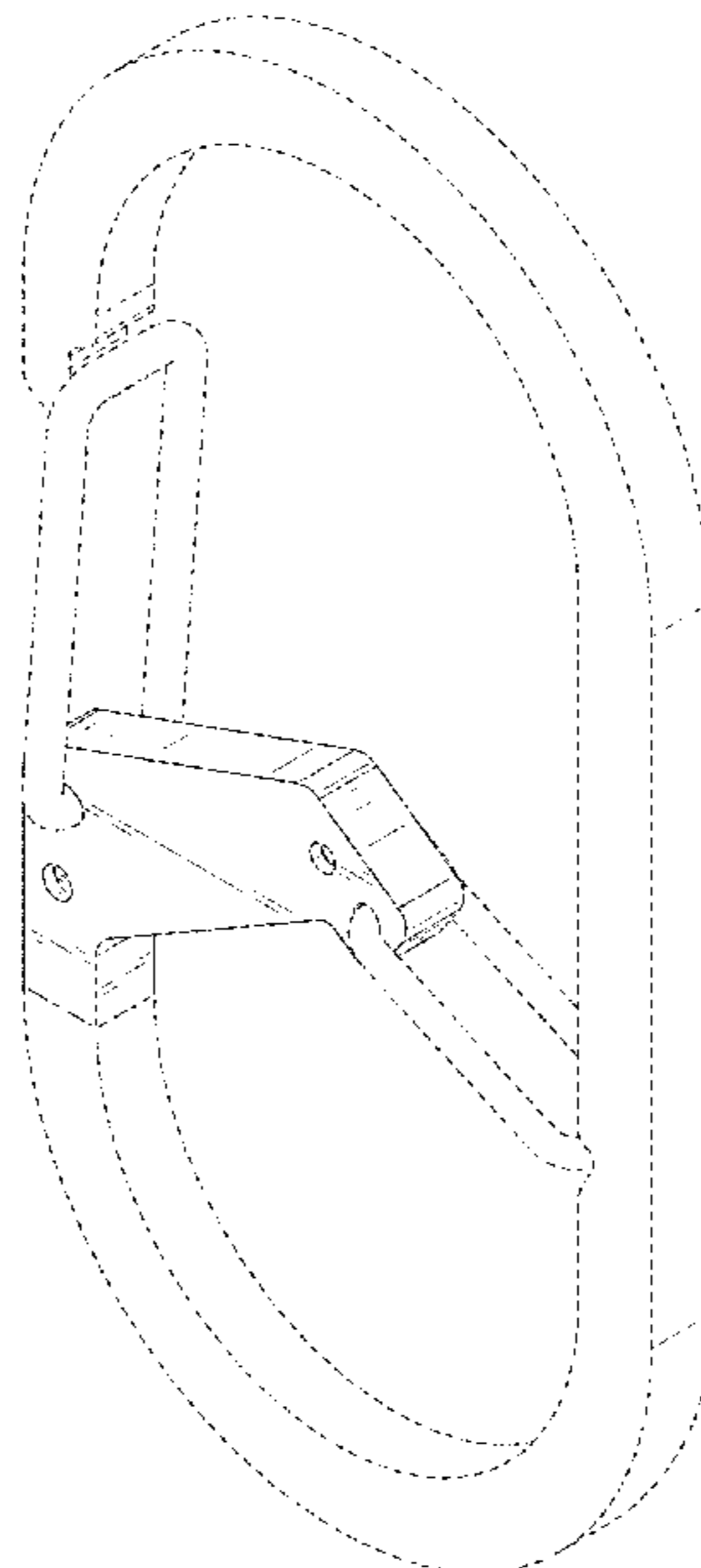
The ornamental design for the double carabiner, as shown and described.

DESCRIPTION

FIG. 1 shows a front perspective view of a double carabiner; FIG. 2 shows a front view of the double carabiner of FIG. 1; FIG. 3 shows a rear view of the double carabiner of FIG. 1; FIG. 4 shows a right side view of the double carabiner of FIG. 1; FIG. 5 shows a left side view of the double carabiner of FIG. 1; FIG. 6 shows a top view of the double carabiner of FIG. 1; FIG. 7 shows a bottom view of the double carabiner of FIG. 1; and, FIG. 8 shows an exploded view of the double carabiner of FIG. 1.

The broken lines represent an environment of use and form no part of the claim. The dot-dash-dot lines on a lower edge of the claim depict a boundary of the claim and form no part of the claim. The dot-dash-dot line stretching from the claim to two unclaimed portion represents a direction from where the unclaimed portion was pulled and form no part of the claim.

1 Claim, 6 Drawing Sheets



(56)

References Cited

U.S. PATENT DOCUMENTS

D784,798 S * 4/2017 Logsdon D8/394
D785,316 S * 5/2017 Grossman D3/208
D785,317 S * 5/2017 Grossman D3/208
9,797,432 B2 * 10/2017 Inkavesvaanit F16B 45/02
D811,838 S * 3/2018 Enrico D8/34
D821,090 S * 6/2018 Case D3/207
D821,854 S * 7/2018 Berman D8/356
D854,916 S * 7/2019 Derr D8/356
D858,088 S * 9/2019 Osmanski D3/207
D861,327 S * 10/2019 Osmanski D3/207
10,499,712 B2 * 12/2019 Cowdery A44B 13/02
10,514,057 B2 * 12/2019 Cardella E05B 17/0041
10,624,426 B2 * 4/2020 Adelman F16B 2/22
2009/0000086 A1 * 1/2009 Bing F16B 45/06
24/592.11
2016/0153487 A1 * 6/2016 Hollinger F16B 45/02
24/376

* cited by examiner

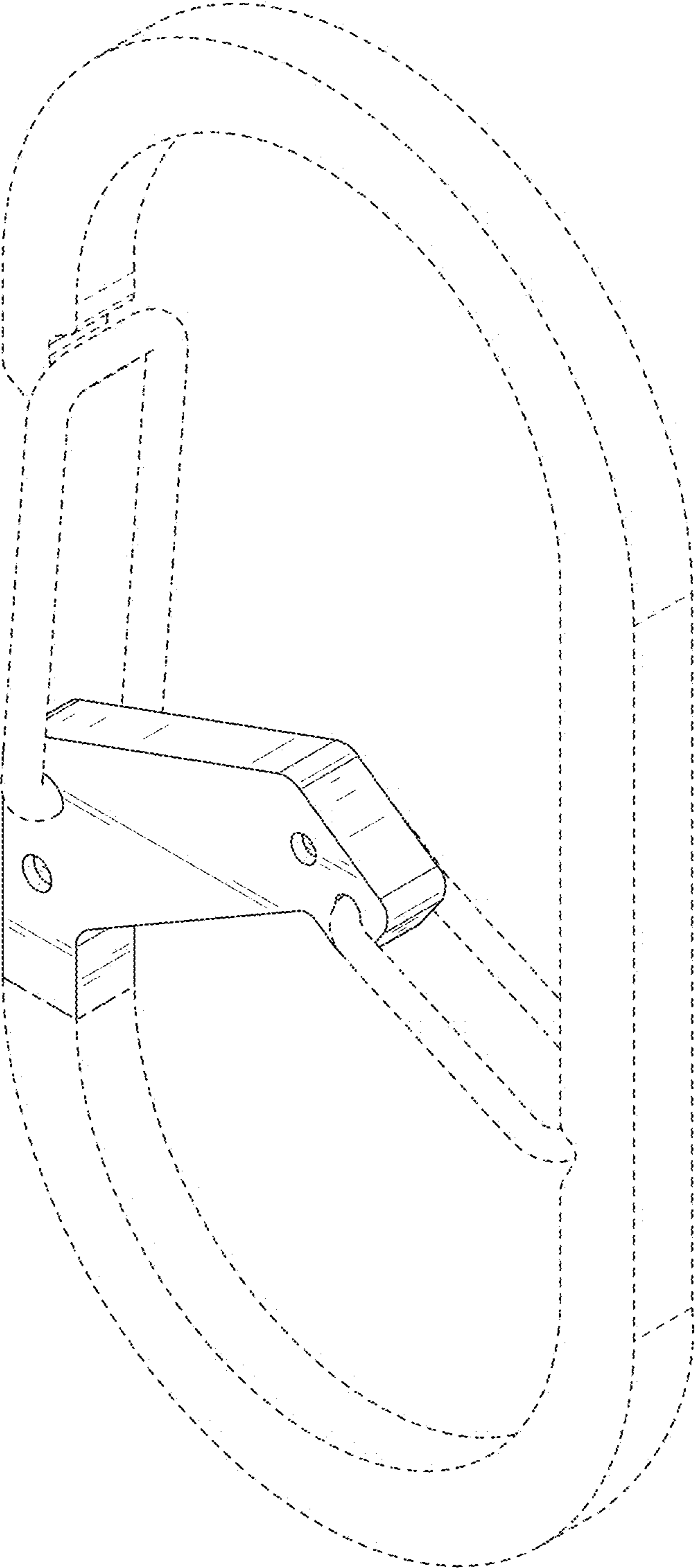


FIG. 1

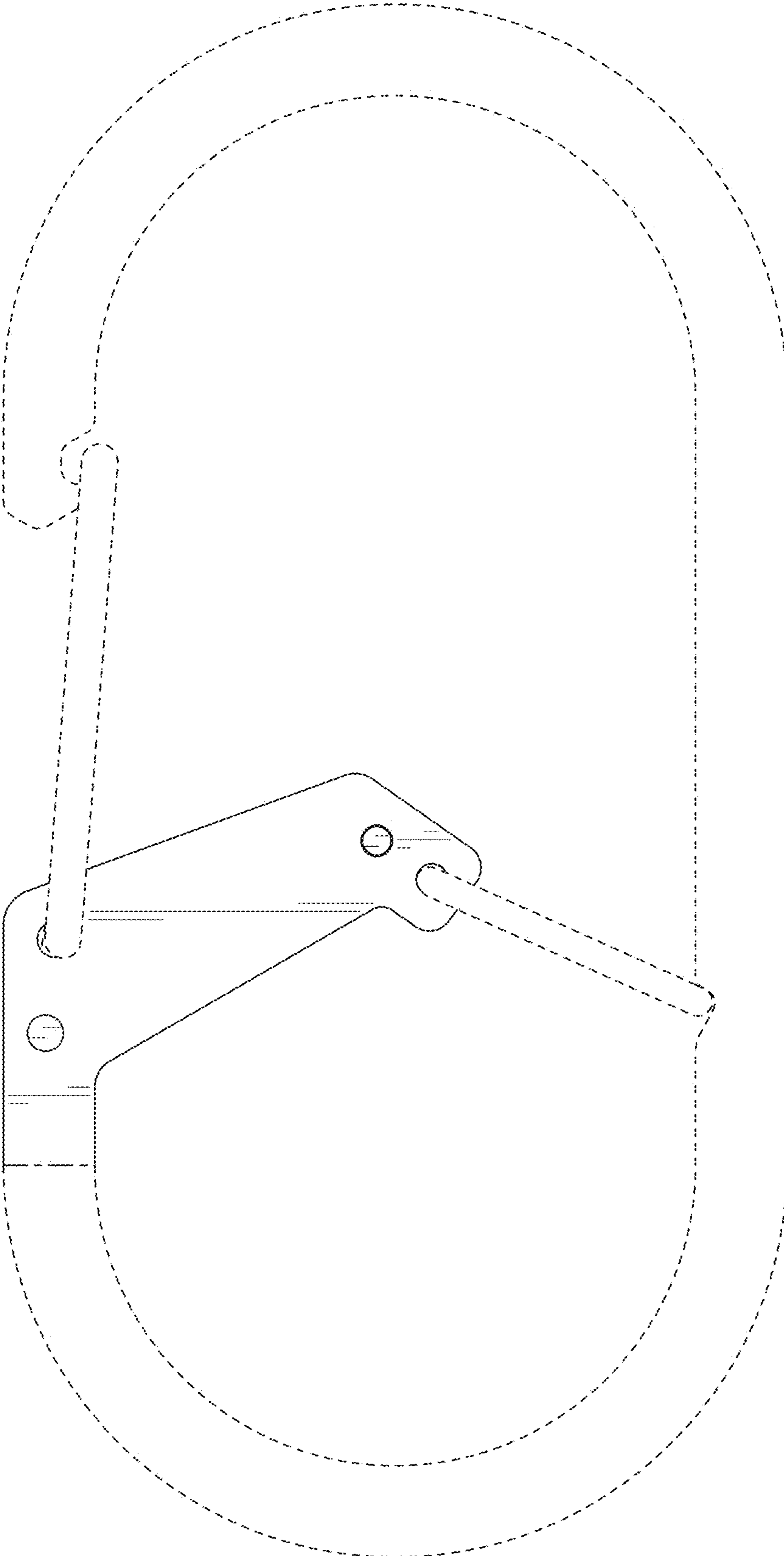


FIG. 2

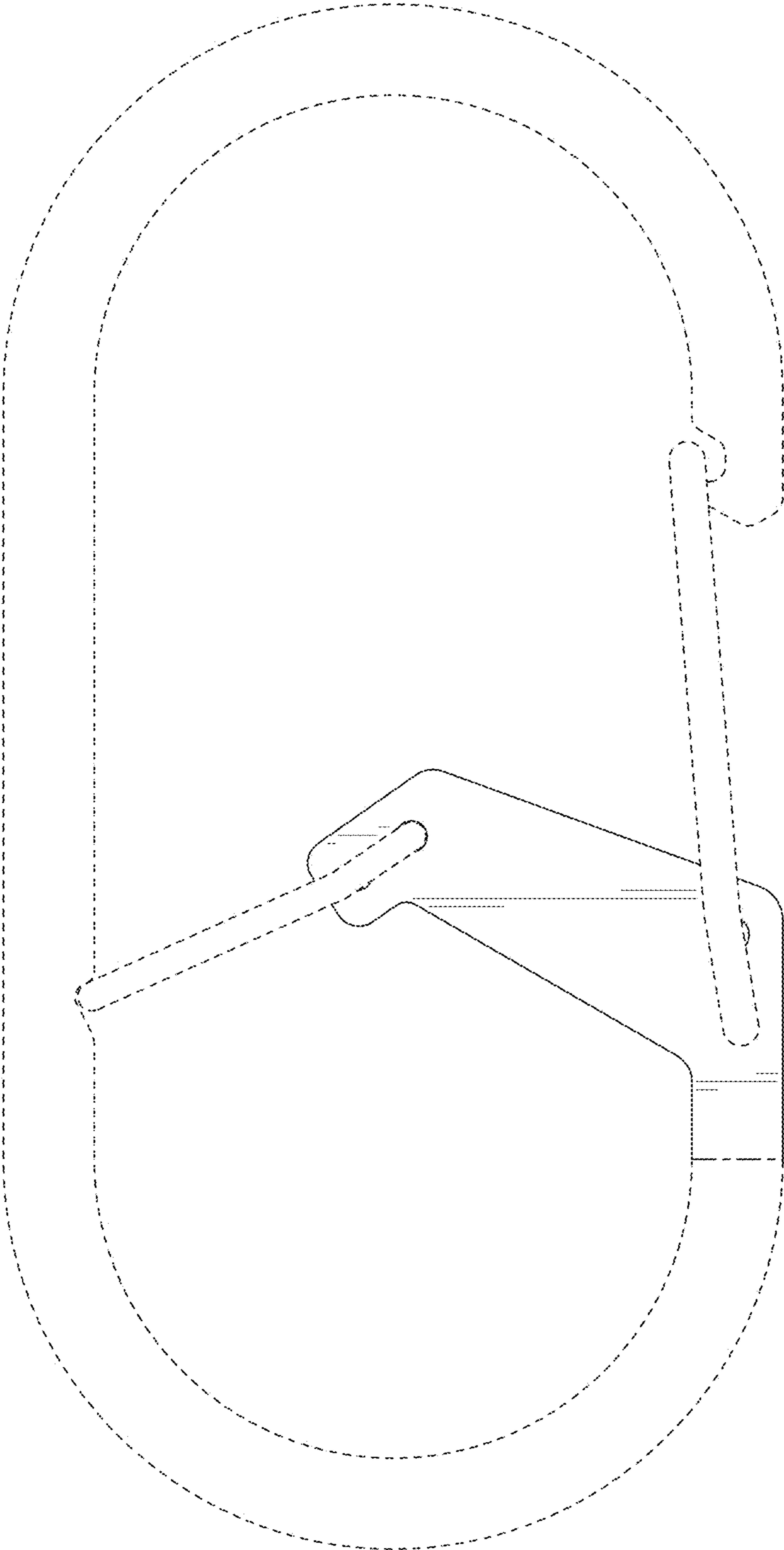


FIG. 3

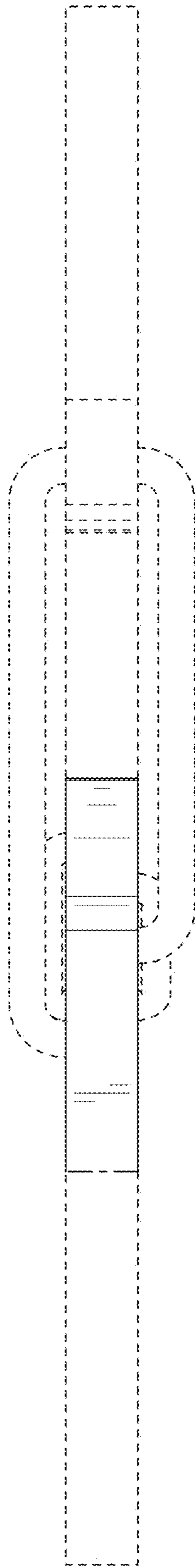


FIG. 4

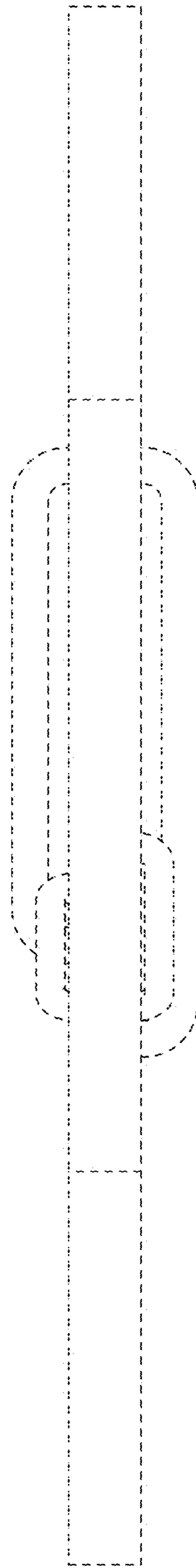


FIG. 5

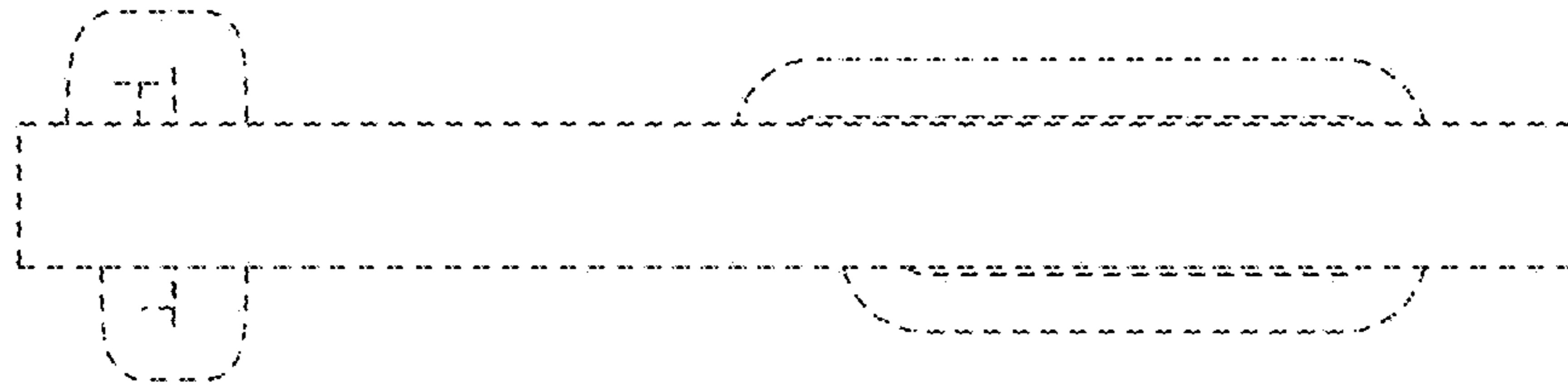


FIG. 6

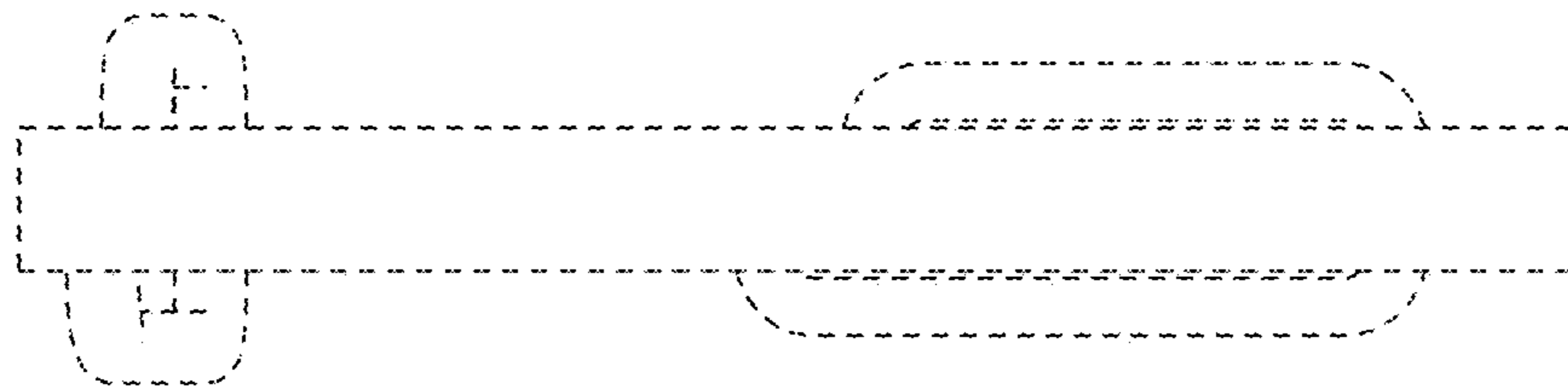


FIG. 7

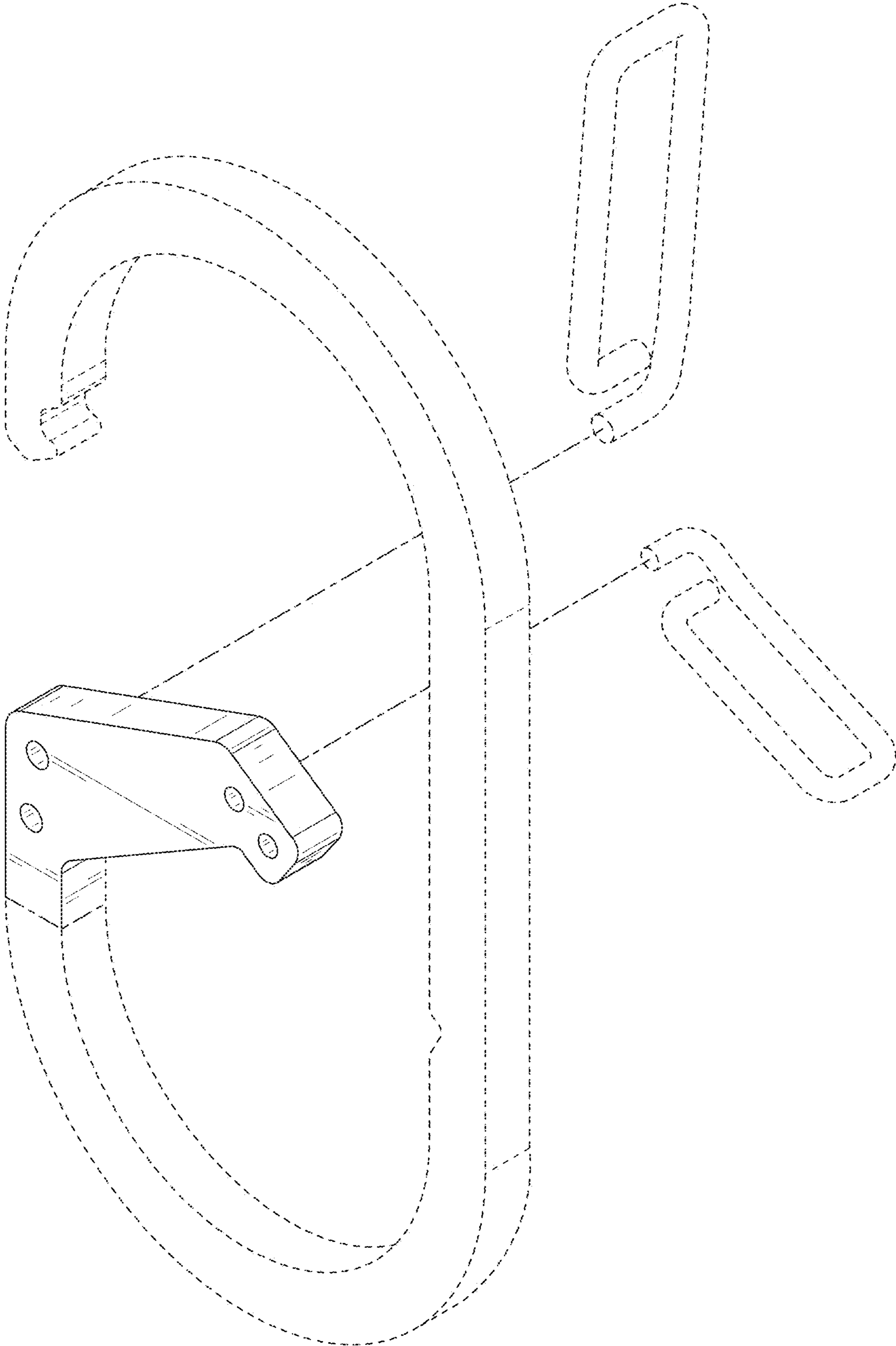


FIG. 8