



US00D935307S

(12) **United States Design Patent** (10) **Patent No.:** **US D935,307 S**
Hu (45) **Date of Patent:** **** Nov. 9, 2021**

(54) **CABLE ORGANIZER**

(71) Applicant: **Shenzhen Delamu Network Technology Co., Ltd, Shenzhen (CN)**

(72) Inventor: **Kai Hu, Shenzhen (CN)**

(**) Term: **15 Years**

(21) Appl. No.: **29/773,894**

(22) Filed: **Mar. 12, 2021**

(51) **LOC (13) Cl.** **09-06**

(52) **U.S. Cl.**
USPC **D8/356**

(58) **Field of Classification Search**
USPC D8/356, 354; D13/155
CPC B65H 57/16; B63B 21/045
See application file for complete search history.

(56) **References Cited**

U.S. PATENT DOCUMENTS

- D29,156 S * 8/1898 Caldwell D12/223
- D275,036 S * 8/1984 Lloyd-Jones D25/119
- D275,324 S * 8/1984 Wahlin D25/124
- D295,521 S * 5/1988 Mockett D13/155
- D322,389 S * 12/1991 Harmon D8/380
- 5,154,648 A * 10/1992 Buckshaw F22B 37/107
122/DIG. 13
- D331,916 S * 12/1992 DuBrucq D13/155
- 5,884,695 A * 3/1999 Brownlee F28F 19/00
165/134.1
- D430,005 S * 8/2000 Stearns D8/380
- D436,399 S * 1/2001 Poland D23/322
- D450,564 S * 11/2001 Kane D8/356
- D539,752 S * 4/2007 Ruddick D13/155
- D631,445 S * 1/2011 Dittmer D13/155
- D637,477 S * 5/2011 Wall D8/382
- D696,205 S * 12/2013 Woodlief D13/155
- D713,947 S * 9/2014 Jensen D23/366
- D720,702 S * 1/2015 Baldwin D13/155
- D778,841 S * 2/2017 Seever
- D805,822 S * 12/2017 Baldoni D6/707.24

- 9,869,368 B2 * 1/2018 Disantis F16G 11/146
- D835,497 S * 12/2018 Rindy D8/356
- D856,119 S * 8/2019 McGugan D8/356
- D890,085 S * 7/2020 Baird D13/102
- D892,214 S * 8/2020 Jordan D19/81
- 10,844,978 B2 * 11/2020 Meyer F16L 3/24
- D903,479 S * 12/2020 Schick D8/397
- D903,480 S * 12/2020 Schick D8/397
- D916,138 S * 4/2021 Canik D15/5
- D916,322 S * 4/2021 Miller D25/61
- 10,994,671 B2 * 5/2021 Astrike H02G 3/0406
- D925,339 S * 7/2021 Leonard D8/356

(Continued)

OTHER PUBLICATIONS

Kai Hu, Cable Organizer <https://www.amazon.com/gp/product/B08J4173VD>.
<https://www.amazon.com/gp/product/B08J4173VD>.

Primary Examiner — Cynthia R Underwood

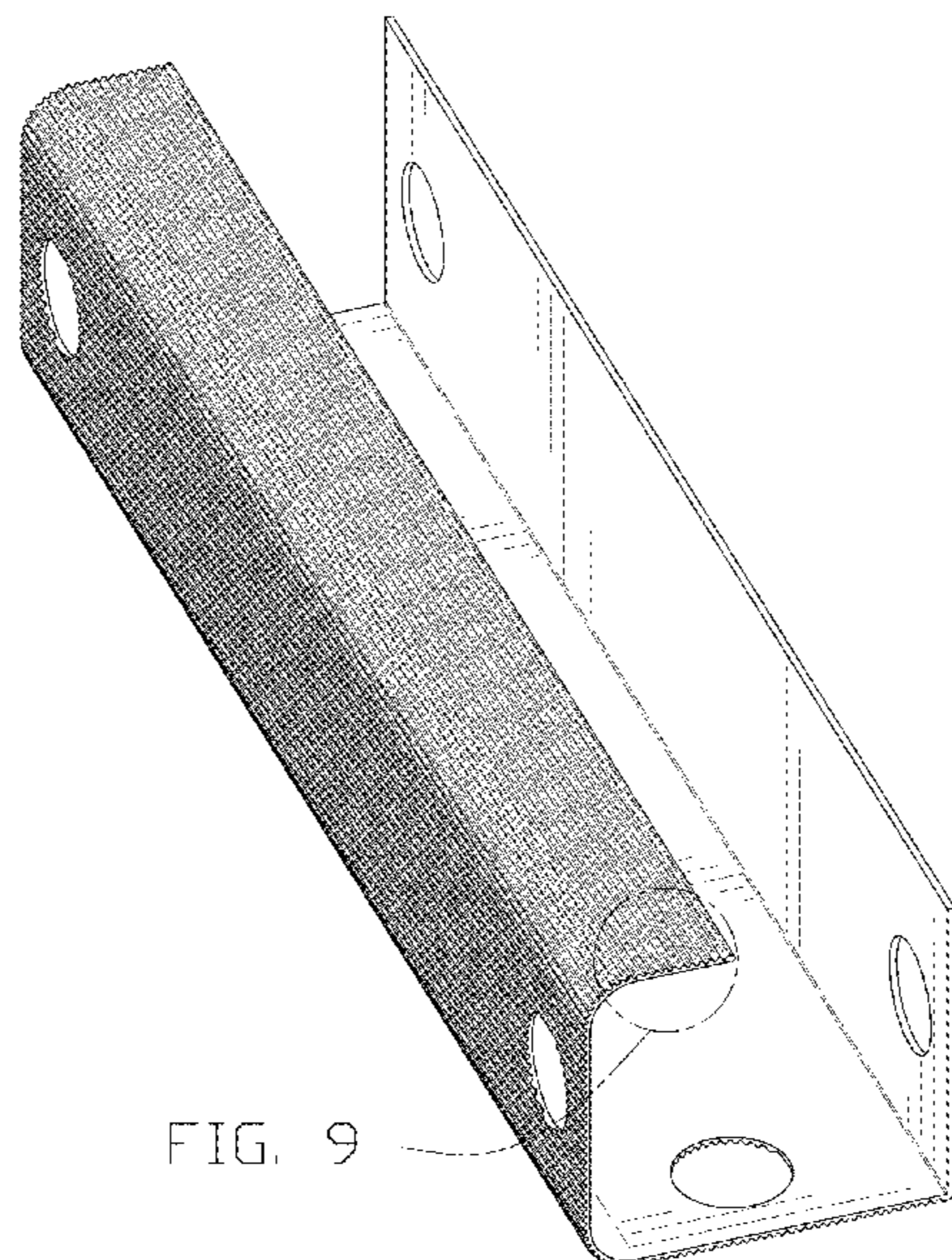
(57) **CLAIM**

The ornamental design for a cable organizer, as shown and described.

DESCRIPTION

FIG. 1 is a front and top perspective view of a cable organizer, showing my new design;
FIG. 2 is a rear and bottom perspective view thereof;
FIG. 3 is a front elevation view thereof;
FIG. 4 is a rear elevation view thereof;
FIG. 5 is a left side elevation view thereof;
FIG. 6 is a right side elevation view thereof;
FIG. 7 is a top plan view thereof;
FIG. 8 is a bottom plan view thereof; and,
FIG. 9 is an enlarged view of a portion labeled, 'FIG. 9' in FIG. 1.
The dash-dot-dash lines in FIGS. 1 and 9 depict the cut line from which FIG. 9 was taken.

1 Claim, 9 Drawing Sheets



(56)

References Cited

U.S. PATENT DOCUMENTS

D926,022 S *	7/2021	Luhrmann	D8/356
D927,292 S *	8/2021	Zussman	D8/381
2008/0054143 A1 *	3/2008	Collins	F16L 3/26 248/227.2

* cited by examiner

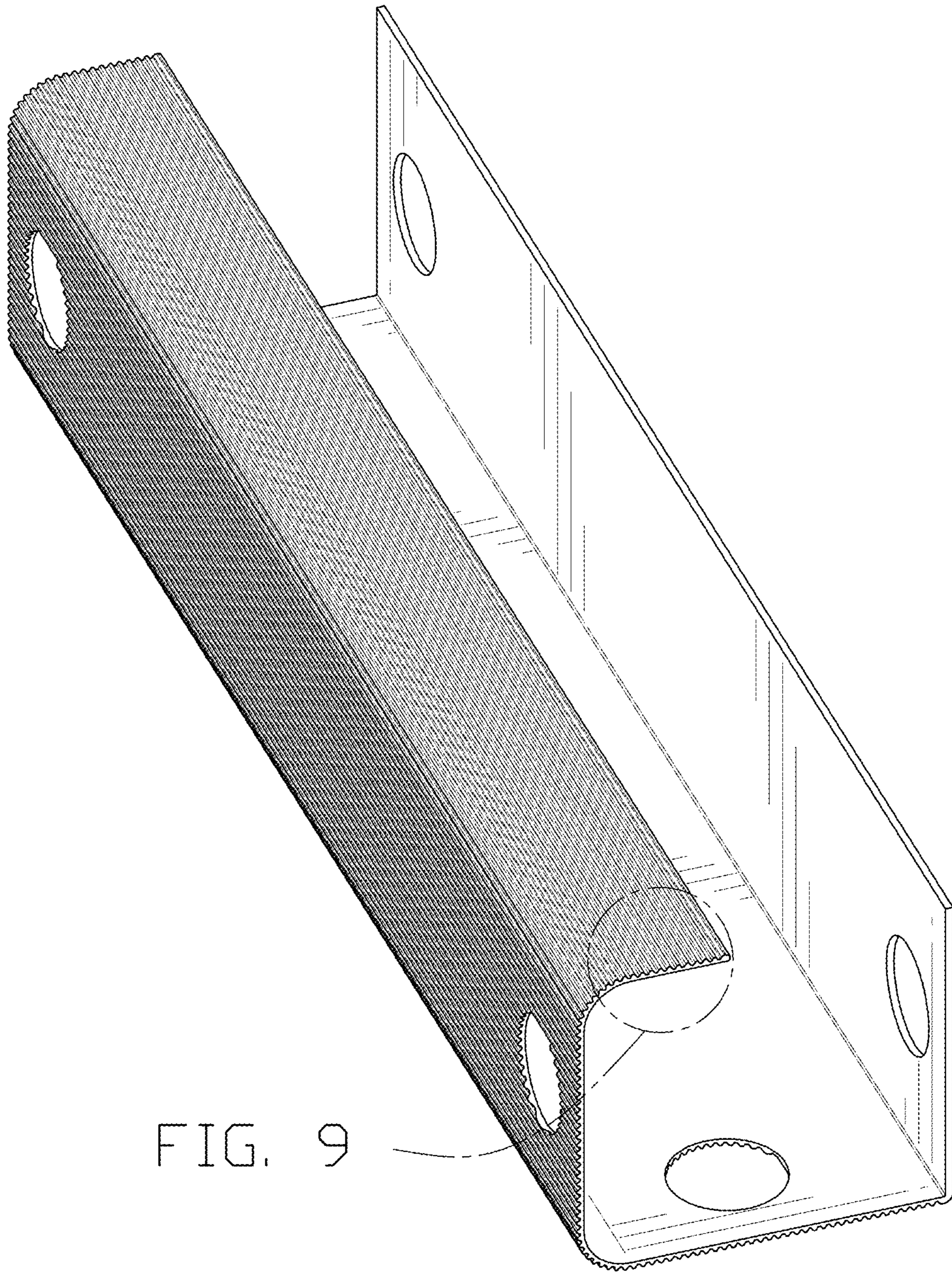


FIG. 9

FIG. 1

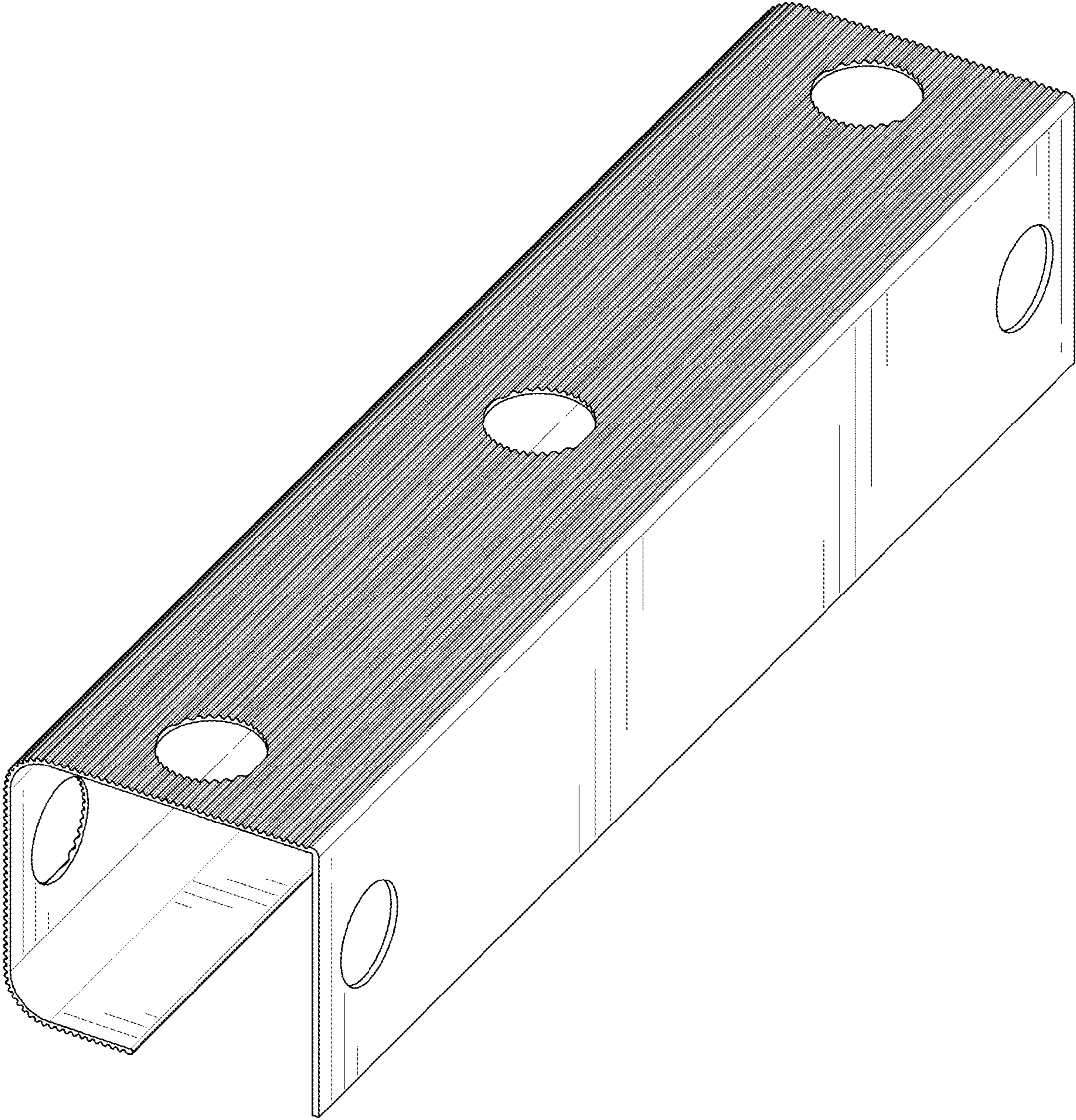


FIG. 2

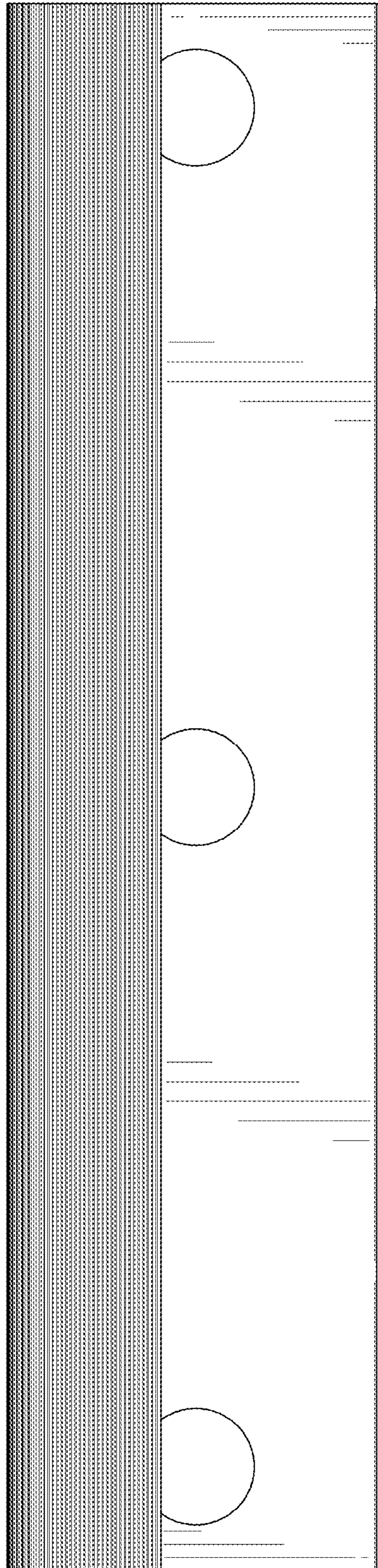


FIG. 3

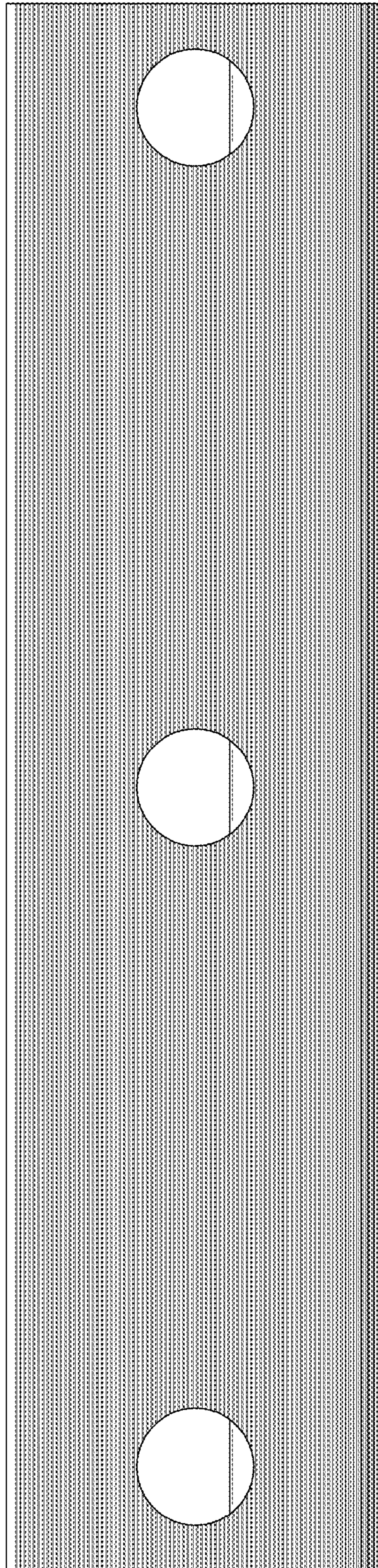


FIG. 4

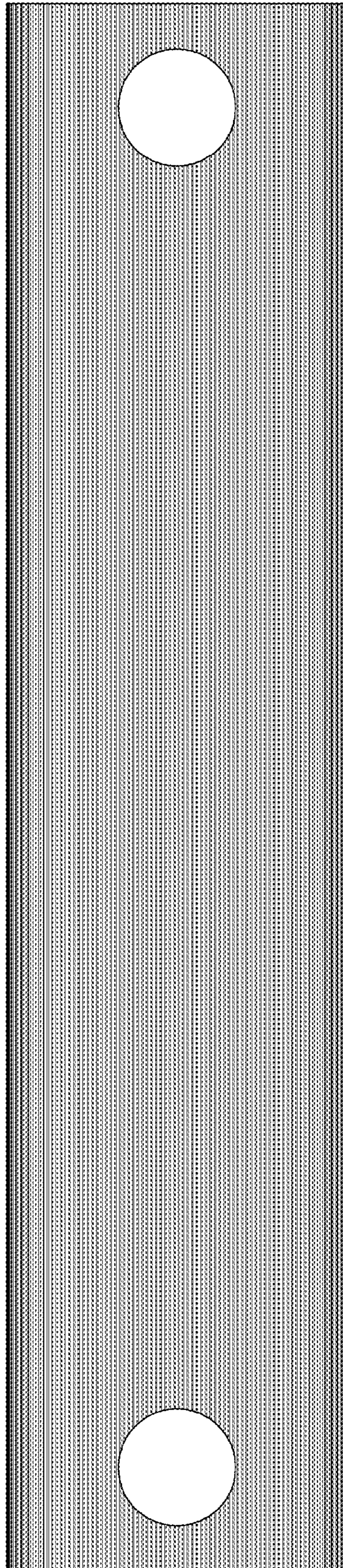


FIG. 5

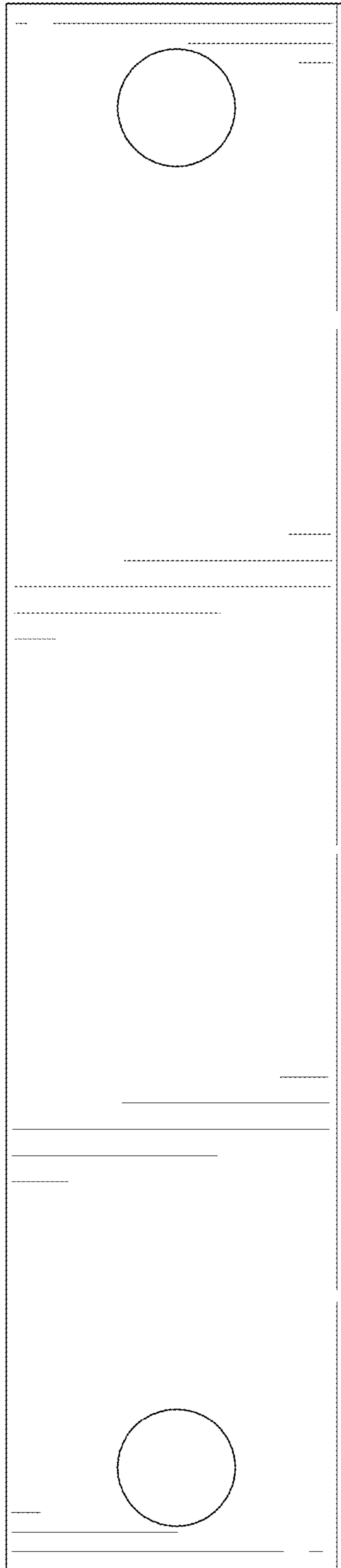


FIG. 6

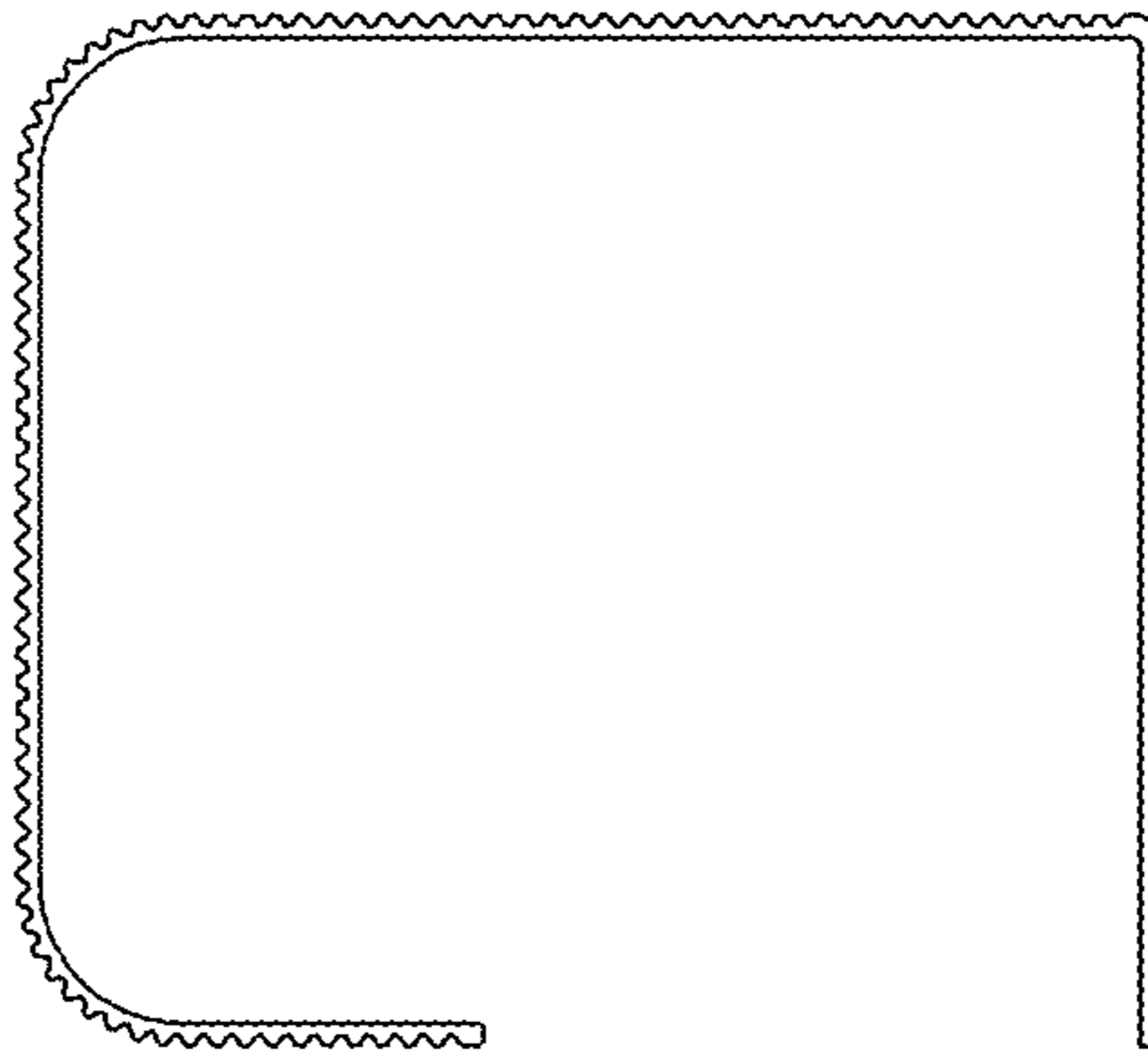


FIG. 7

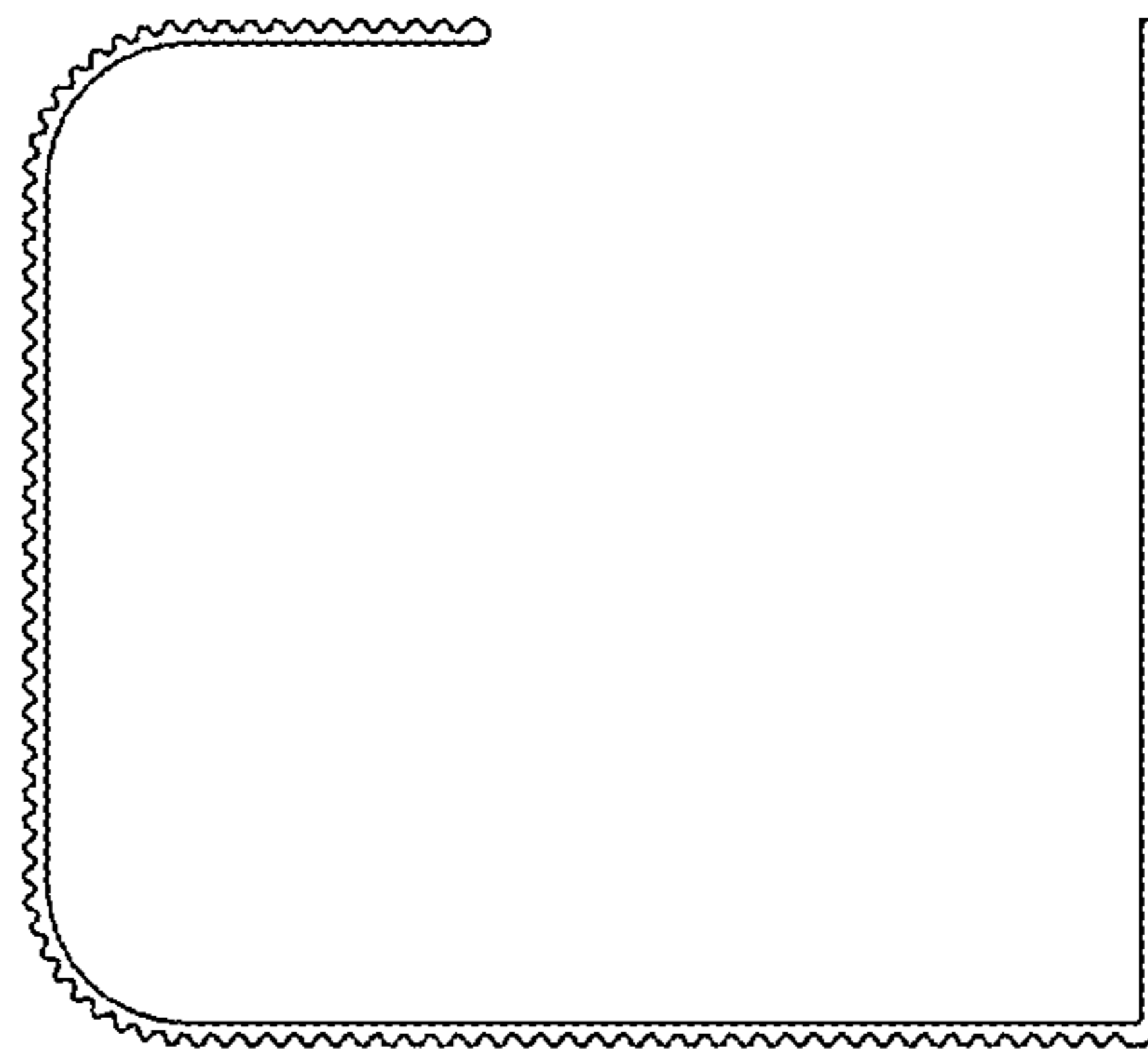


FIG. 8

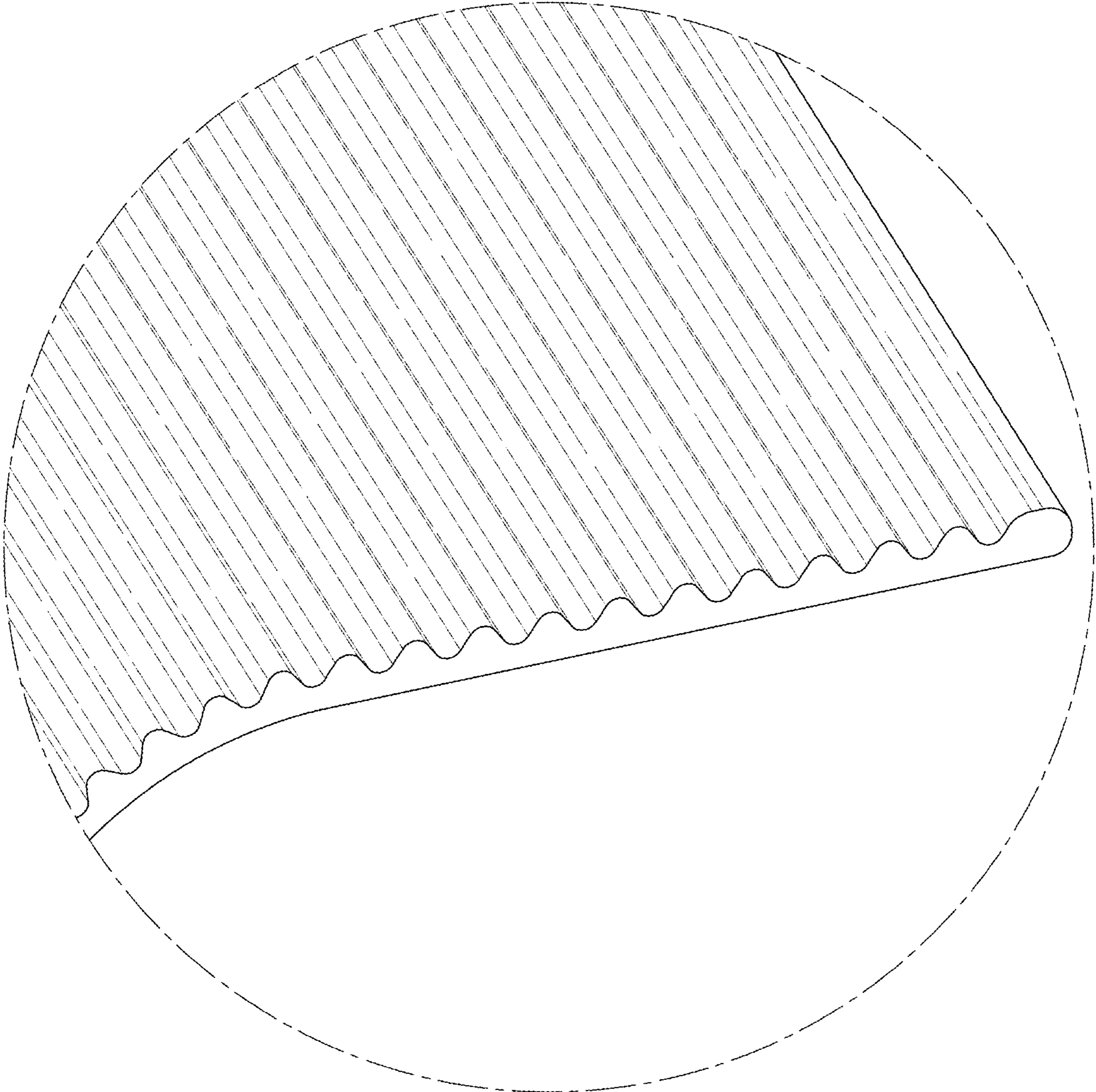


FIG. 9