



US00D935306S

(12) **United States Design Patent** (10) **Patent No.:** **US D935,306 S**  
**Petzl** (45) **Date of Patent:** **\*\* Nov. 9, 2021**

(54) **CLIMBING APPARATUS**

(71) Applicant: **ZEDEL**, Crolles (FR)

(72) Inventor: **Paul Petzl**, Barraux (FR)

(73) Assignee: **ZEDEL**, Crolles (FR)

(\*\*) Term: **15 Years**

(21) Appl. No.: **29/713,856**

(22) Filed: **Nov. 19, 2019**

(30) **Foreign Application Priority Data**

May 24, 2019 (EM) ..... 006503967

(51) **LOC (13) Cl.** ..... **09-06**

(52) **U.S. Cl.**  
USPC ..... **D8/356**

(58) **Field of Classification Search**  
USPC ..... D8/356, 354, 105, 349, 367; D3/207;  
24/376  
CPC ..... B65H 57/16; B63B 21/045; A63B 29/08;  
A63B 27/02  
See application file for complete search history.

(56) **References Cited**

**U.S. PATENT DOCUMENTS**

D406,048 S \* 2/1999 Graham ..... D8/356  
D413,786 S \* 9/1999 Graham ..... D8/356  
6,009,977 A \* 1/2000 Pelofi ..... A62B 1/14  
182/192

6,467,574 B2 \* 10/2002 Lara ..... A62B 35/0056  
182/3  
D466,794 S \* 12/2002 Malkiel ..... D8/356  
6,681,891 B2 \* 1/2004 Richard ..... A62B 1/14  
182/192  
D586,001 S \* 2/2009 Petzl ..... D25/69  
D593,846 S \* 6/2009 Bates ..... D8/363  
D716,132 S \* 10/2014 Gobbi ..... D8/356  
D763,064 S \* 8/2016 Paglioli ..... D8/356  
9,498,655 B2 \* 11/2016 Paglioli ..... A62B 1/14  
9,636,526 B2 \* 5/2017 Galyan ..... A62B 1/14  
2011/0114415 A1 \* 5/2011 Chu ..... A62B 1/14  
182/5

\* cited by examiner

*Primary Examiner* — Cynthia R Underwood

(74) *Attorney, Agent, or Firm* — Oliff PLC

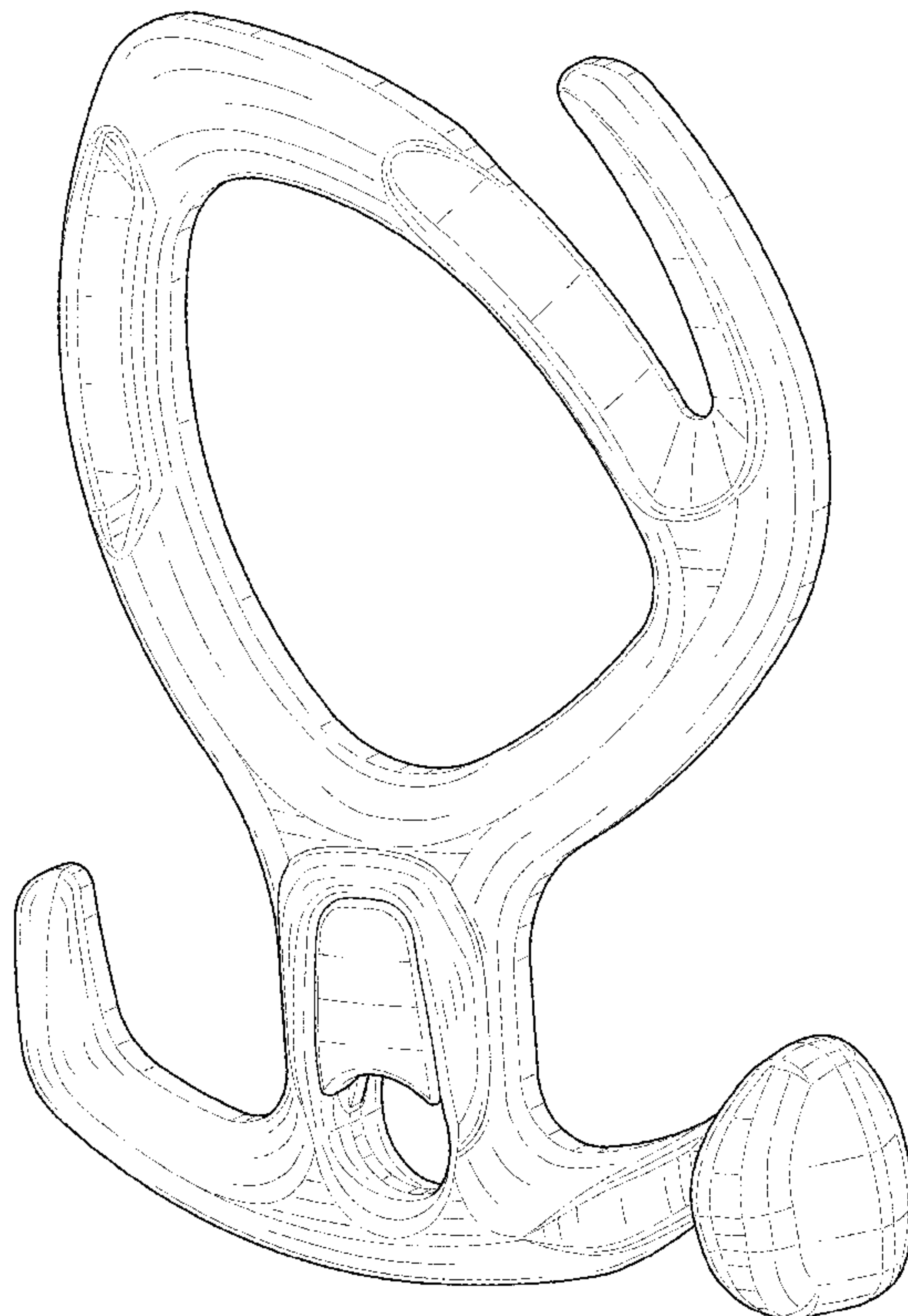
(57) **CLAIM**

The ornamental design for a climbing apparatus, as shown and described.

**DESCRIPTION**

FIG. 1 is a front perspective view of a climbing apparatus; FIG. 2 is a front elevational view thereof; FIG. 3 is a rear elevational view thereof; FIG. 4 is a left-side elevational view thereof; FIG. 5 is a right-side elevational view thereof; FIG. 6 is a top plan view thereof; FIG. 7 is a bottom plan view thereof; and, FIG. 8 is a rear perspective view thereof.

**1 Claim, 6 Drawing Sheets**



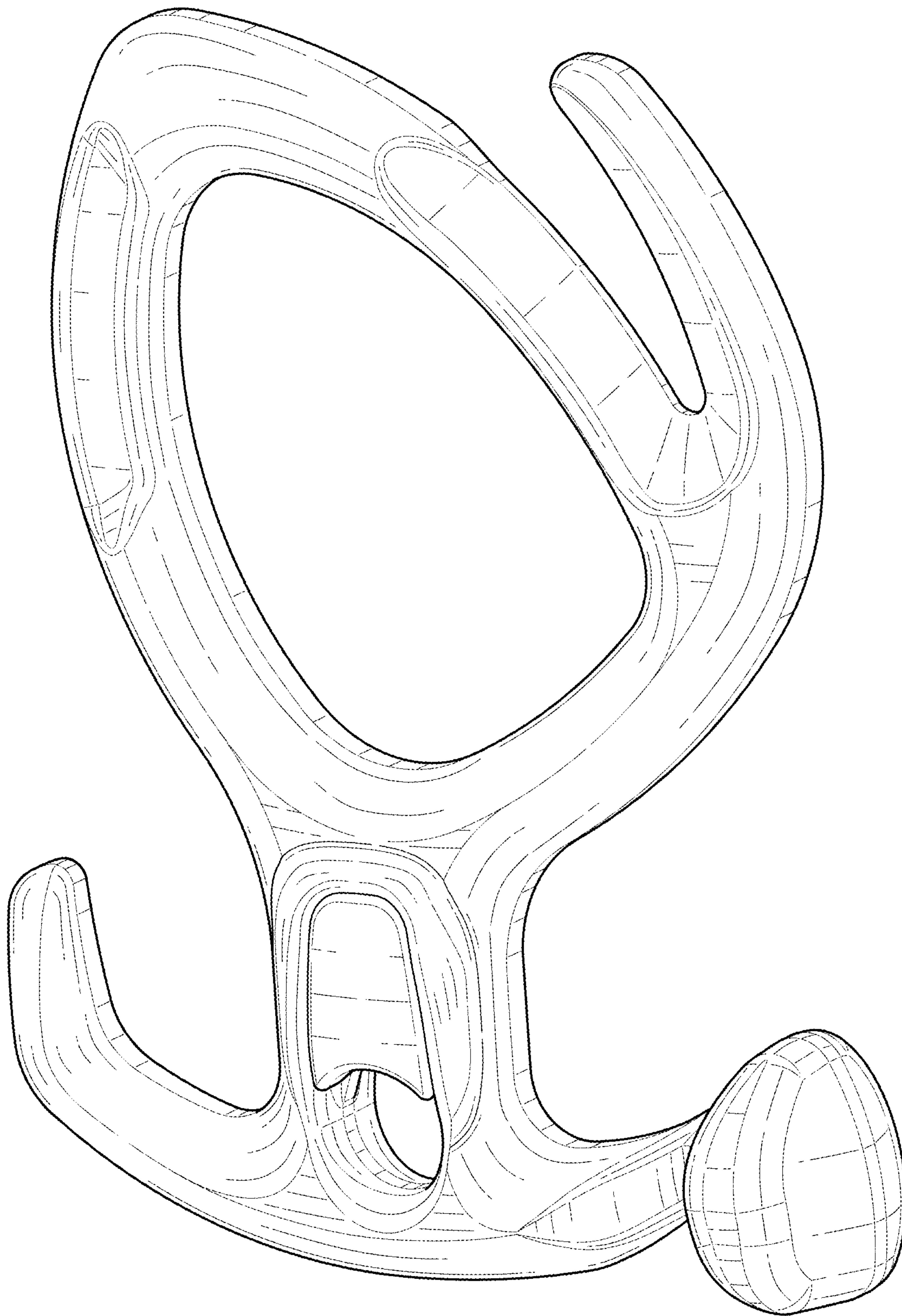


FIG. 1

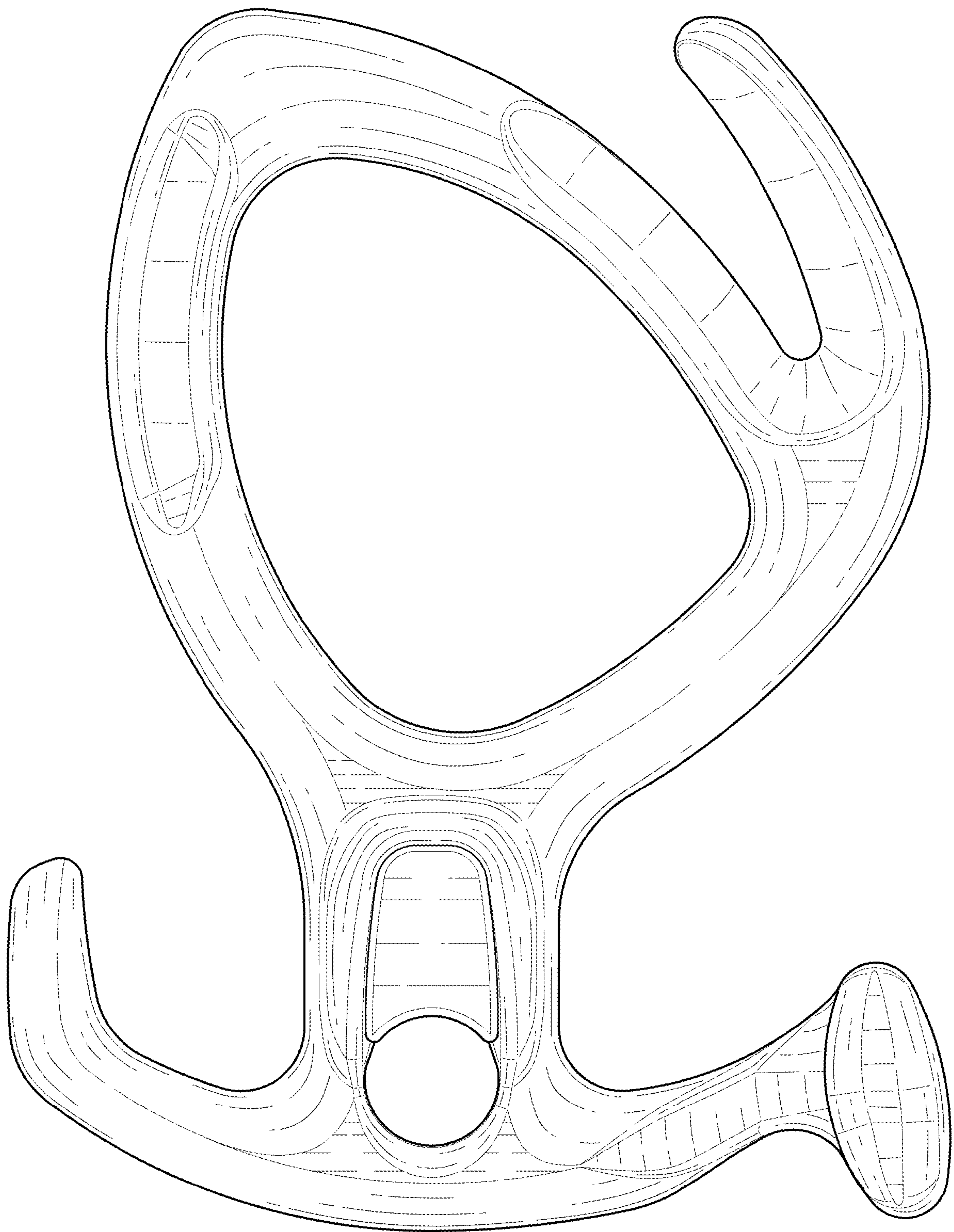


FIG. 2



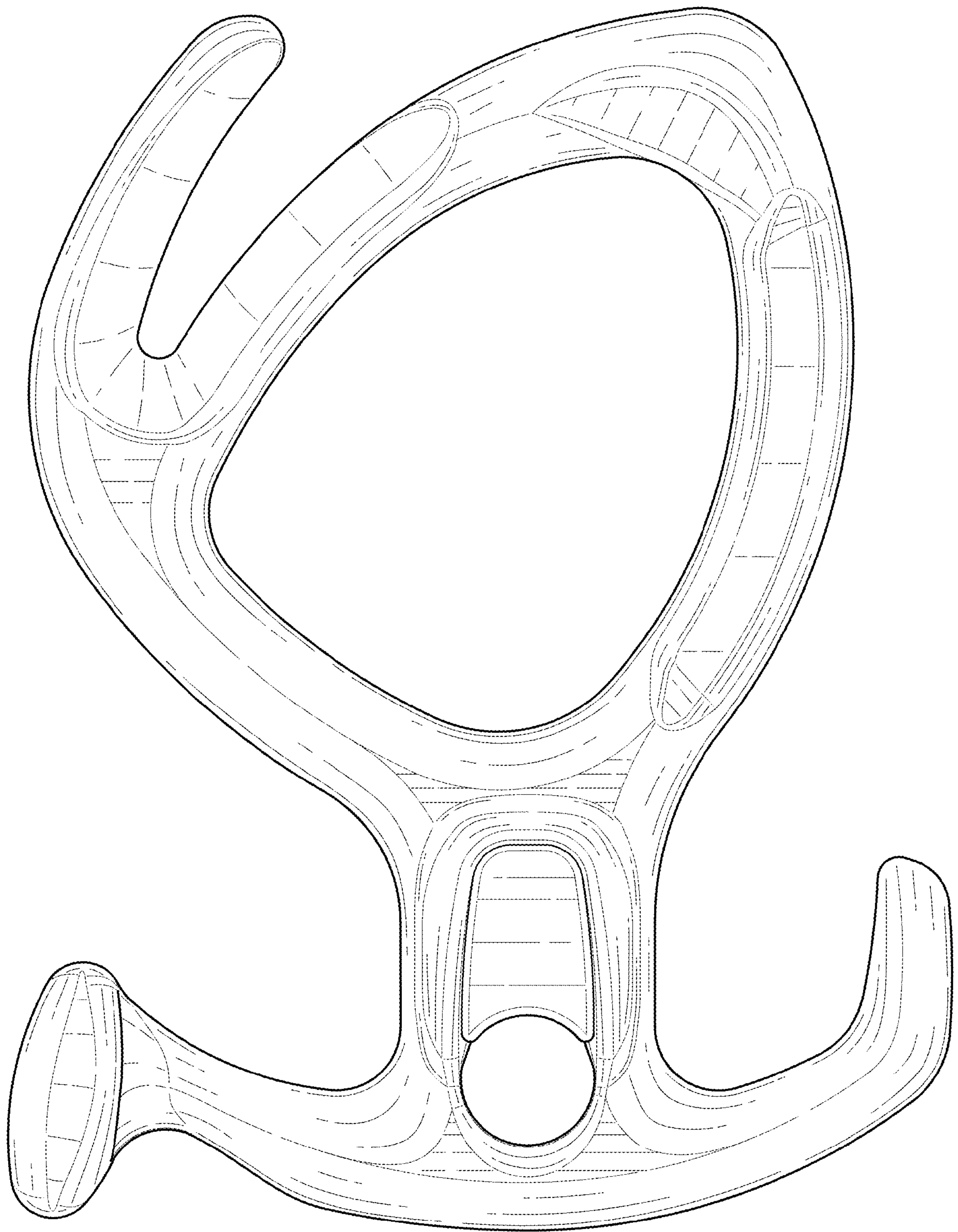


FIG. 3

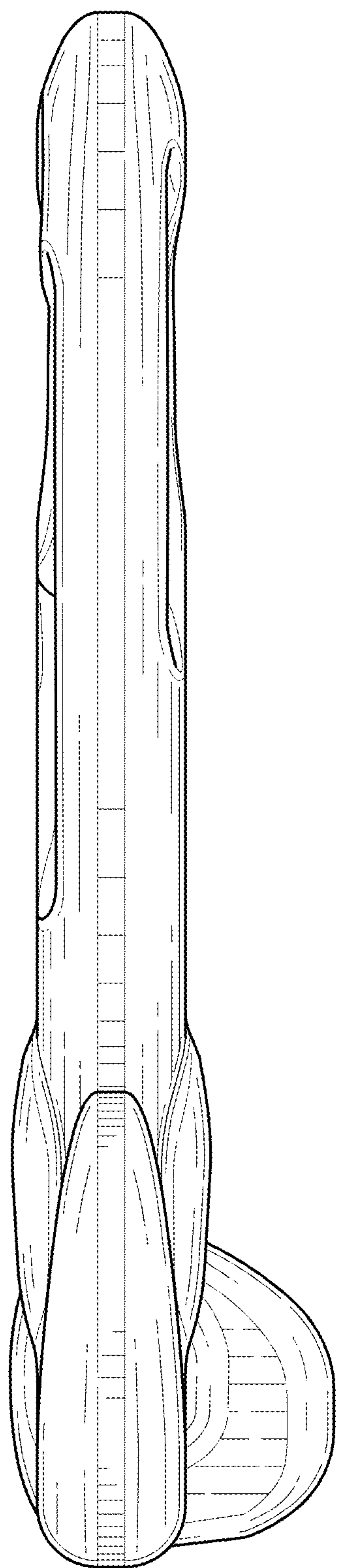


FIG. 4

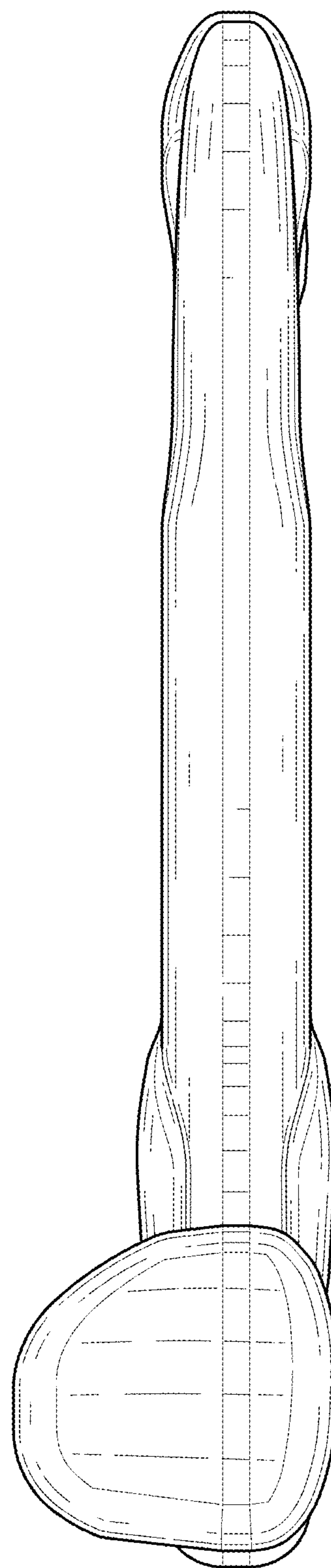


FIG. 5

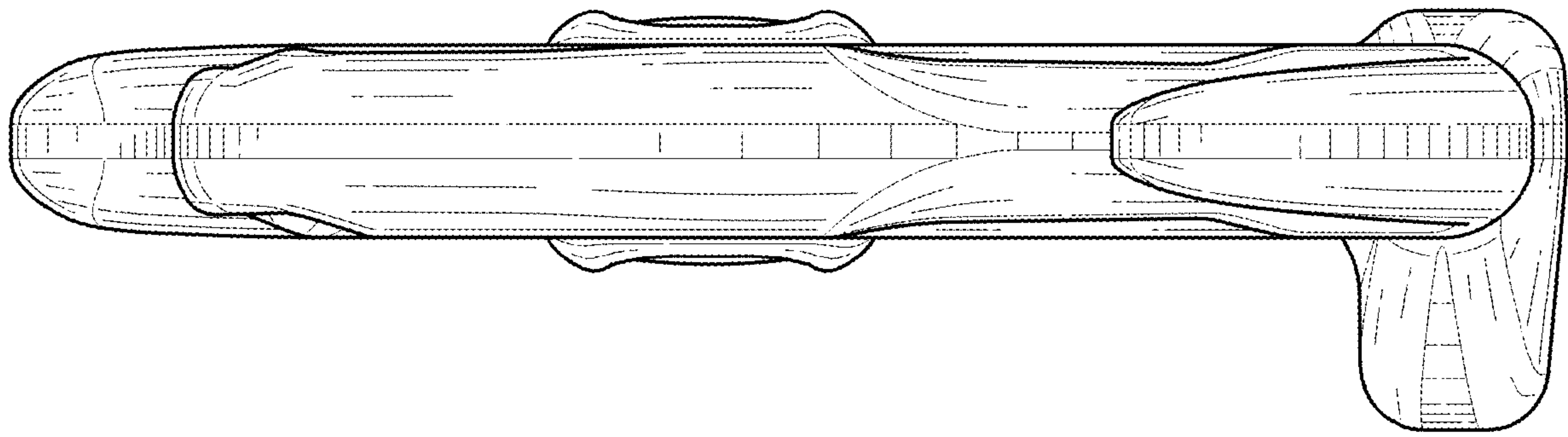


FIG. 6

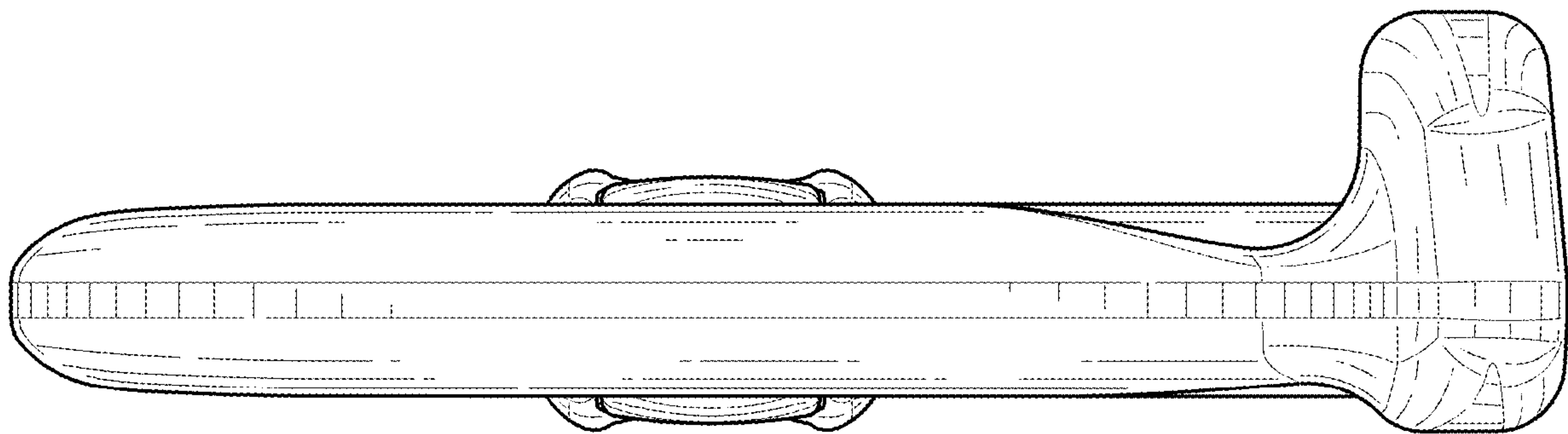


FIG. 7

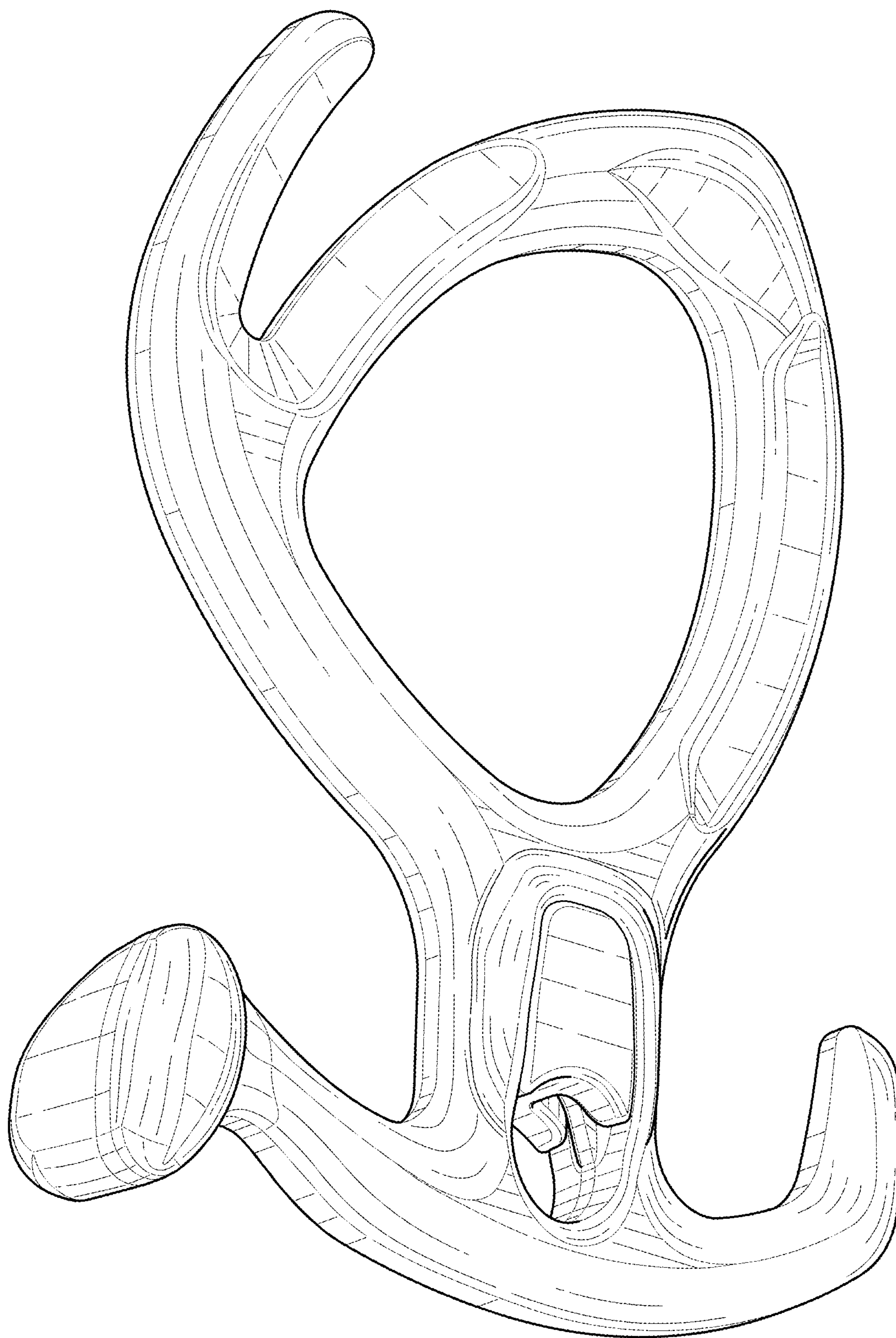


FIG. 8