



US00D935305S

(12) **United States Design Patent**
Gong

(10) **Patent No.:** **US D935,305 S**

(45) **Date of Patent:** **** Nov. 9, 2021**

(54) **CARABINER**

(71) Applicant: **Liming Gong**, Nanjing (CN)

(72) Inventor: **Liming Gong**, Nanjing (CN)

(**) Term: **15 Years**

(21) Appl. No.: **29/711,575**

(22) Filed: **Oct. 31, 2019**

(51) **LOC (13) Cl.** **09-06**

(52) **U.S. Cl.**

USPC **D8/356**

(58) **Field of Classification Search**

USPC D8/356, 354, 105, 349, 367; D3/207;
24/376

CPC B65H 57/16; B63B 21/045; A63B 29/08;
A63B 27/02

See application file for complete search history.

(56) **References Cited**

U.S. PATENT DOCUMENTS

| | | | | | |
|------------|---|---------|-----------|-------|---------|
| D626,908 S | * | 11/2010 | Marcaccio | | D12/345 |
| D658,487 S | * | 5/2012 | Chih | | D8/360 |
| D818,391 S | * | 5/2018 | Chang | | D11/208 |
| D818,392 S | * | 5/2018 | Chang | | D11/218 |
| D821,090 S | * | 6/2018 | Case | | D3/207 |
| D854,401 S | * | 7/2019 | Adelman | | D8/356 |
| D856,118 S | * | 8/2019 | Adelman | | D8/356 |

| | | | | | |
|-----------------|---|---------|------------|-------|------------------------|
| D882,378 S | * | 4/2020 | Graykowski | | D8/356 |
| 2014/0245576 A1 | * | 9/2014 | Perner | | F16B 45/02 24/600.1 |
| 2016/0376129 A1 | * | 12/2016 | Hendrix | | F16B 45/02 294/82.2 |

* cited by examiner

Primary Examiner — Cynthia R Underwood

(74) *Attorney, Agent, or Firm* — Che-Yang Chen; Law Office of Michael Chen

(57) **CLAIM**

The ornamental design for a carabiner, as shown and described.

DESCRIPTION

FIG. 1 is a perspective view of a carabiner showing my new design;

FIG. 2 is a right side elevational view thereof;

FIG. 3 is a left side elevational view thereof;

FIG. 4 is a front elevational view thereof;

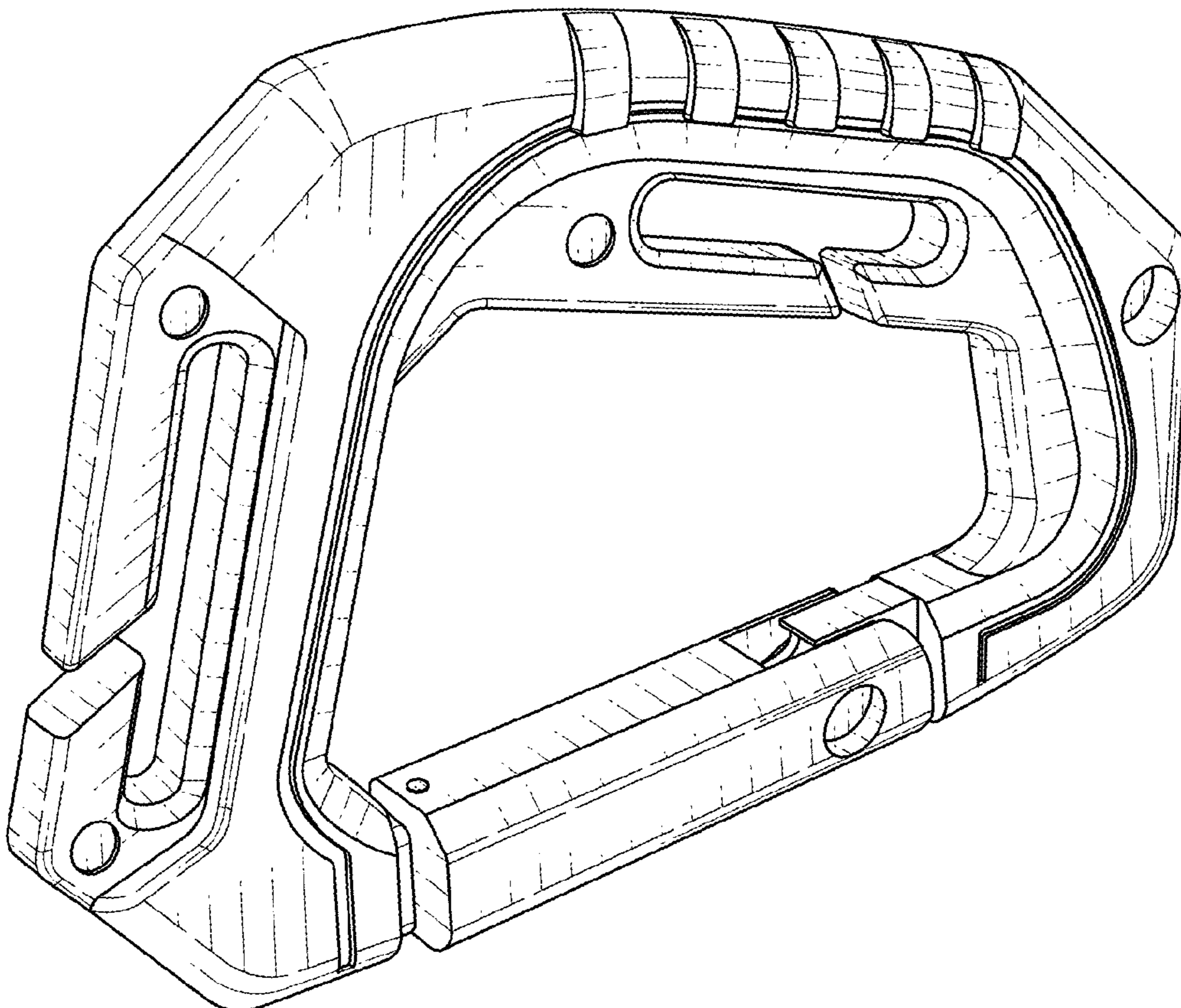
FIG. 5 is a rear elevational view thereof;

FIG. 6 is a top plan view thereof; and,

FIG. 7 is a bottom plan view thereof.

The broken lines represent portions of the structure that forms no part of the claim.

1 Claim, 5 Drawing Sheets



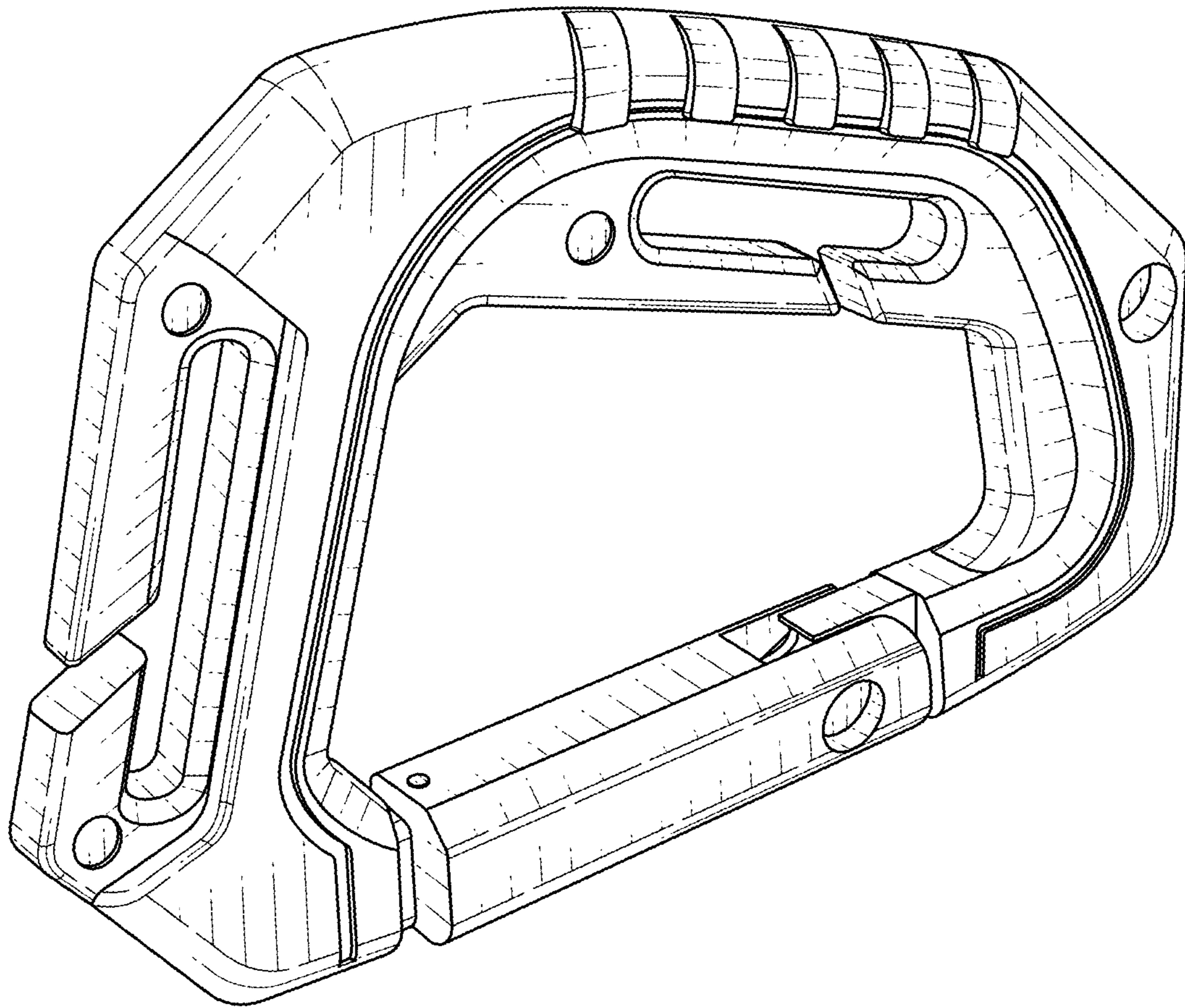


FIG. 1

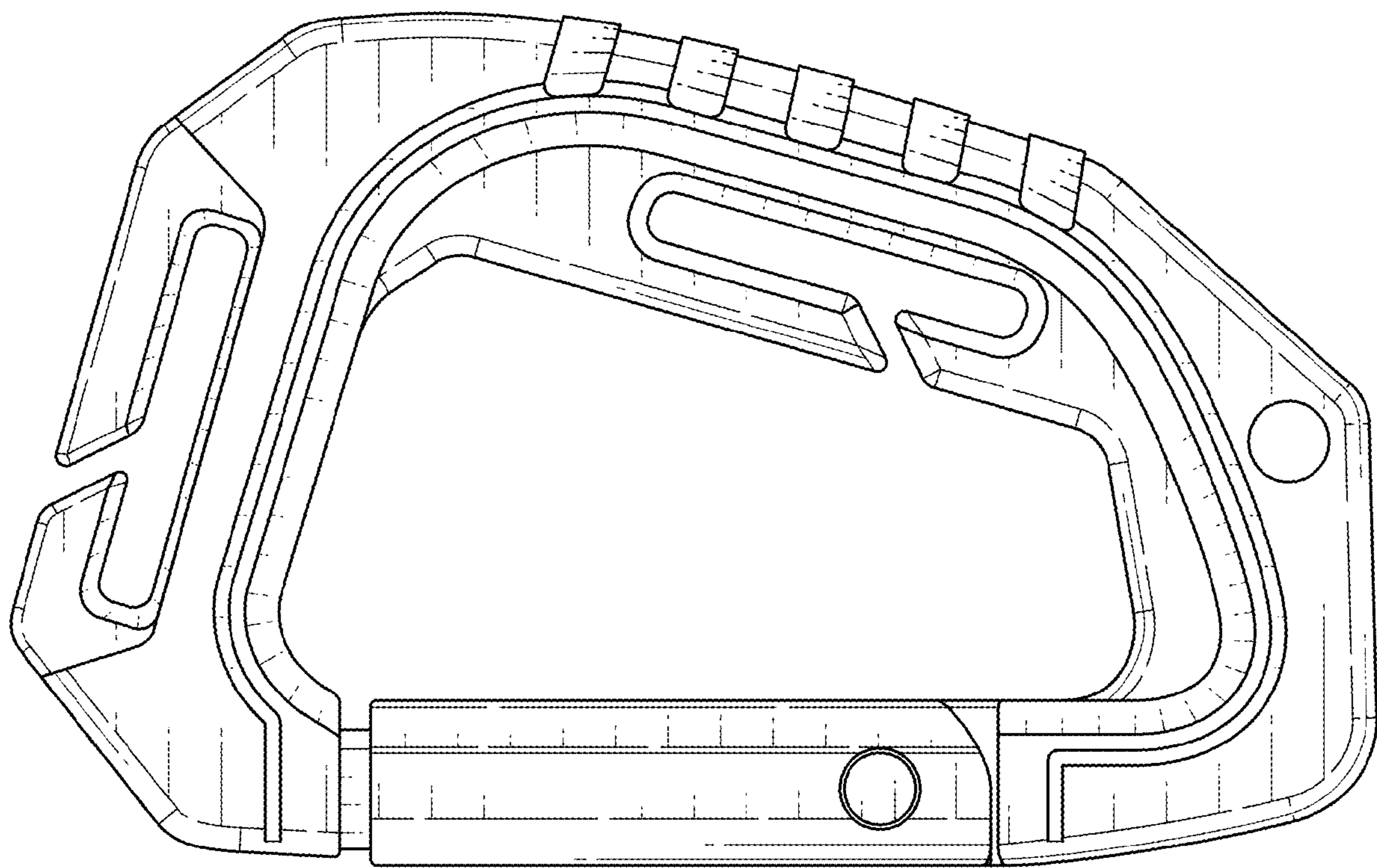


FIG. 2

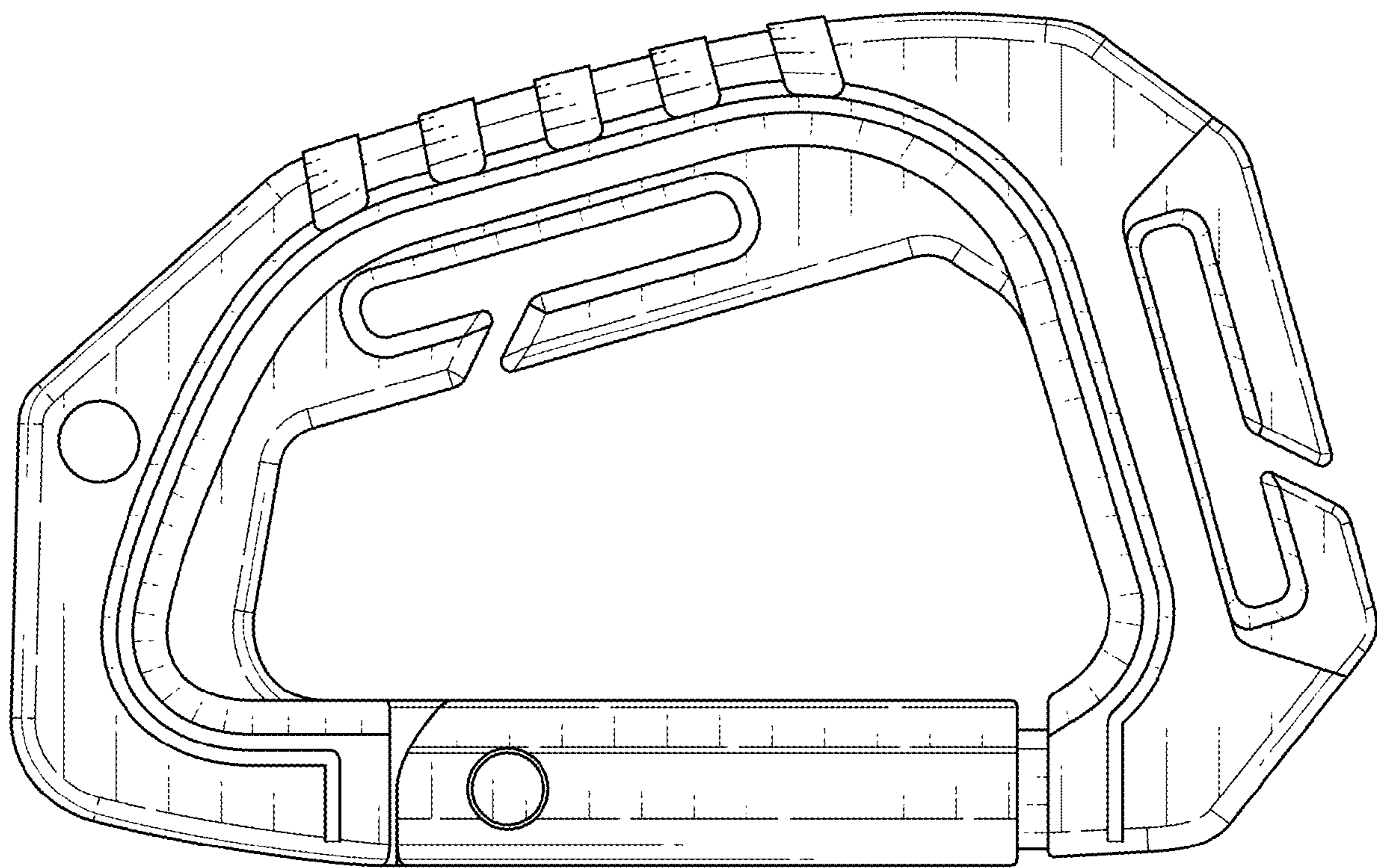


FIG. 3

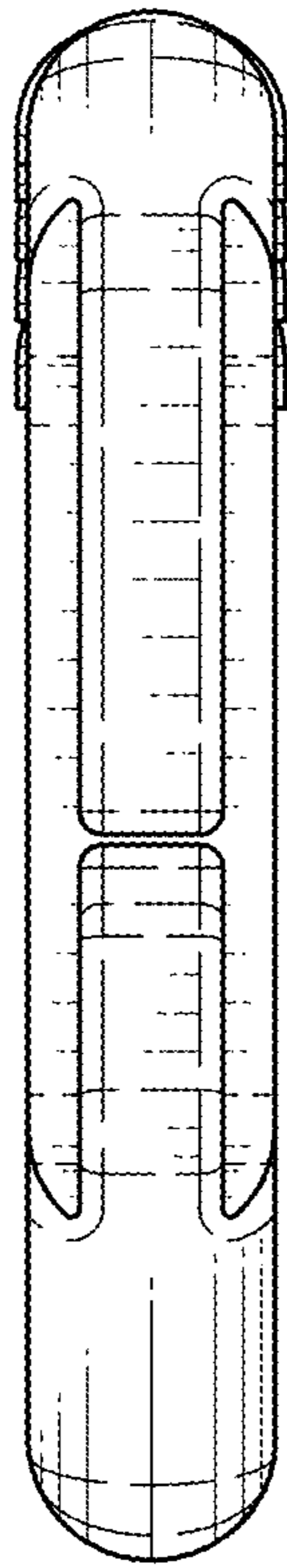


FIG. 4

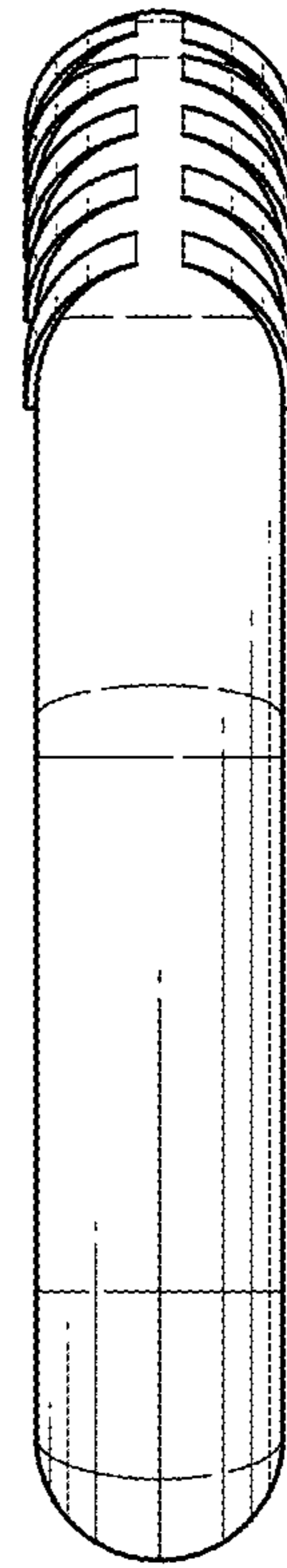


FIG. 5

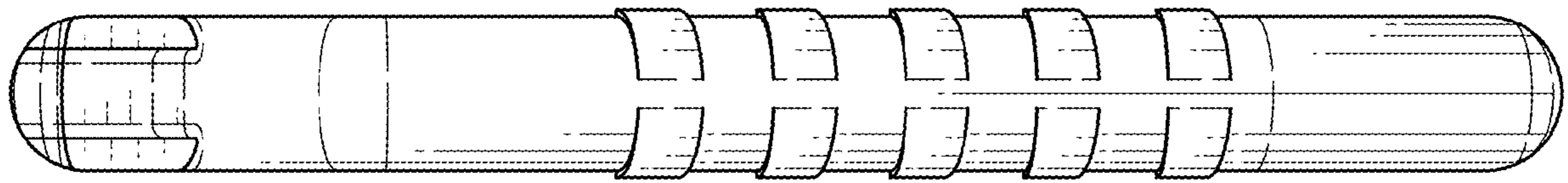


FIG. 6

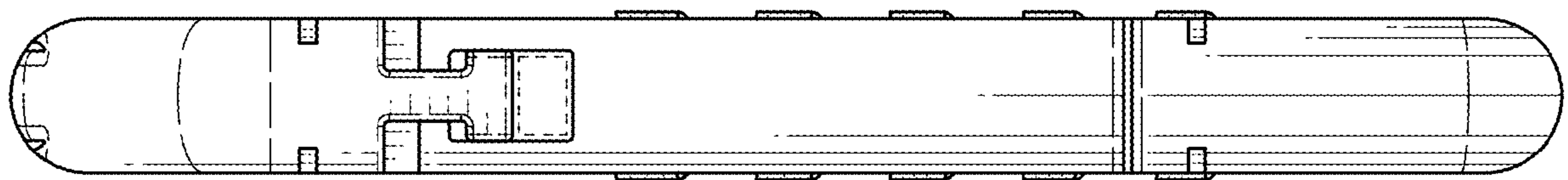


FIG. 7