



US00D935304S

(12) **United States Design Patent** (10) **Patent No.:** **US D935,304 S**  
**Fiello** (45) **Date of Patent:** **\*\* Nov. 9, 2021**

(54) **THROTTLE BODY SPACER**  
(71) Applicant: **K&N Engineering, Inc.**, Riverside, CA (US)  
(72) Inventor: **Jonathan Richard Fiello**, Yucaipa, CA (US)  
(73) Assignee: **K&N Engineering, Inc.**, Riverside, CA (US)

(\*\*) Term: **15 Years**  
(21) Appl. No.: **29/731,853**

(22) Filed: **Apr. 18, 2020**  
(51) **LOC (13) Cl.** ..... **08-05**  
(52) **U.S. Cl.**  
USPC ..... **D8/354**  
(58) **Field of Classification Search**  
USPC ..... D8/349, 352, 353, 354, 356;  
D25/119-125; D26/113  
CPC ..... F02D 2007/025; F02D 2009/0205; F02D  
2009/0254; F02D 2009/0276; F02B  
2031/003  
See application file for complete search history.

(56) **References Cited**  
U.S. PATENT DOCUMENTS  
D219,768 S \* 1/1971 Conwill ..... D8/354  
D304,714 S \* 11/1989 Tanifuzi ..... D12/1  
6,338,335 B1 \* 1/2002 Patterson ..... F02M 29/14  
123/590  
6,602,099 B1 \* 8/2003 Loberger ..... F02B 61/045  
114/88  
D713,423 S \* 9/2014 Kimball ..... D15/5  
D790,323 S \* 6/2017 Fuglsang ..... D8/354  
D810,139 S \* 2/2018 Chan ..... D15/5  
10,125,729 B1 \* 11/2018 Mashburn ..... F02M 35/10144

10,678,271 B2 \* 6/2020 McClanahan ..... G05D 7/0635  
2003/0089870 A1 \* 5/2003 Borasch ..... F02D 11/10  
251/129.11  
2005/0188969 A1 \* 9/2005 Wheeler, III ..... F02M 29/14  
123/590  
2012/0067663 A1 \* 3/2012 Leicht, Sr. .... B60K 17/22  
180/352  
2016/0305380 A1 \* 10/2016 Justice ..... F02M 35/10354  
2020/0200070 A1 \* 6/2020 Edgmon ..... F02M 35/10019

**OTHER PUBLICATIONS**

Volant Performance, [https://volant.com/products/throttle-body-spacer-725253?\\_pos=6&\\_sid=6f0d0816d&\\_ss=r](https://volant.com/products/throttle-body-spacer-725253?_pos=6&_sid=6f0d0816d&_ss=r), Throttle Body Spacer (725253), 2020 (Year: 2020).\*

\* cited by examiner

*Primary Examiner* — Keli L Hill  
*Assistant Examiner* — Harold E Blackwell, II  
(74) *Attorney, Agent, or Firm* — Rutan & Tucker LLP;  
Hani Z. Sayed

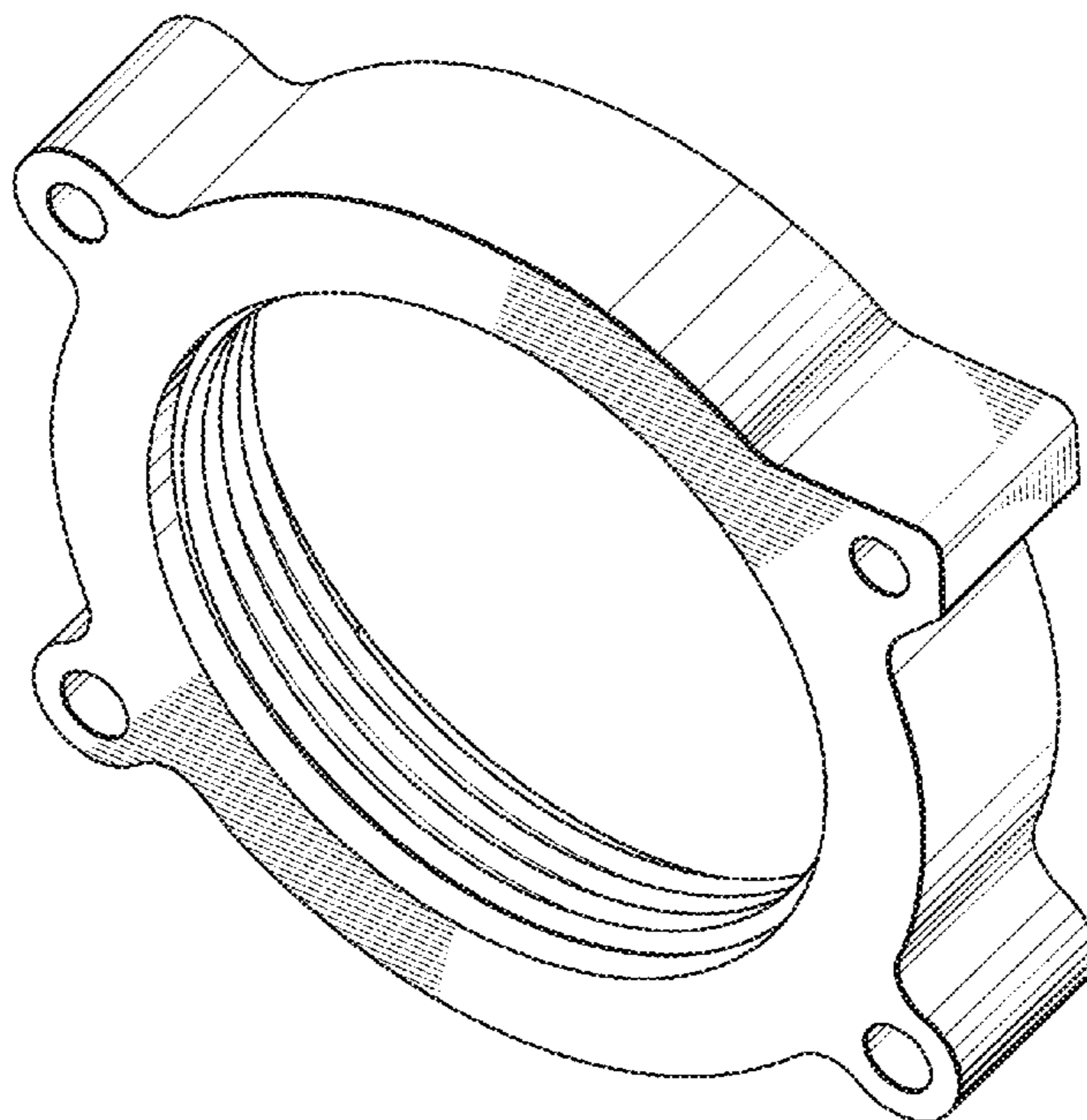
(57) **CLAIM**

The ornamental design for an throttle body spacer, as shown and described.

**DESCRIPTION**

FIG. 1—Top, front, right side perspective view  
FIG. 2—Front elevation view;  
FIG. 3—Rear elevation view;  
FIG. 4—Left side elevation view;  
FIG. 5—Right side elevation view;  
FIG. 6—Top plan view;  
FIG. 7—Bottom plan view; and,  
FIG. 8—Cross-sectional view taken along line 8-8 of FIG. 3.

**1 Claim, 3 Drawing Sheets**



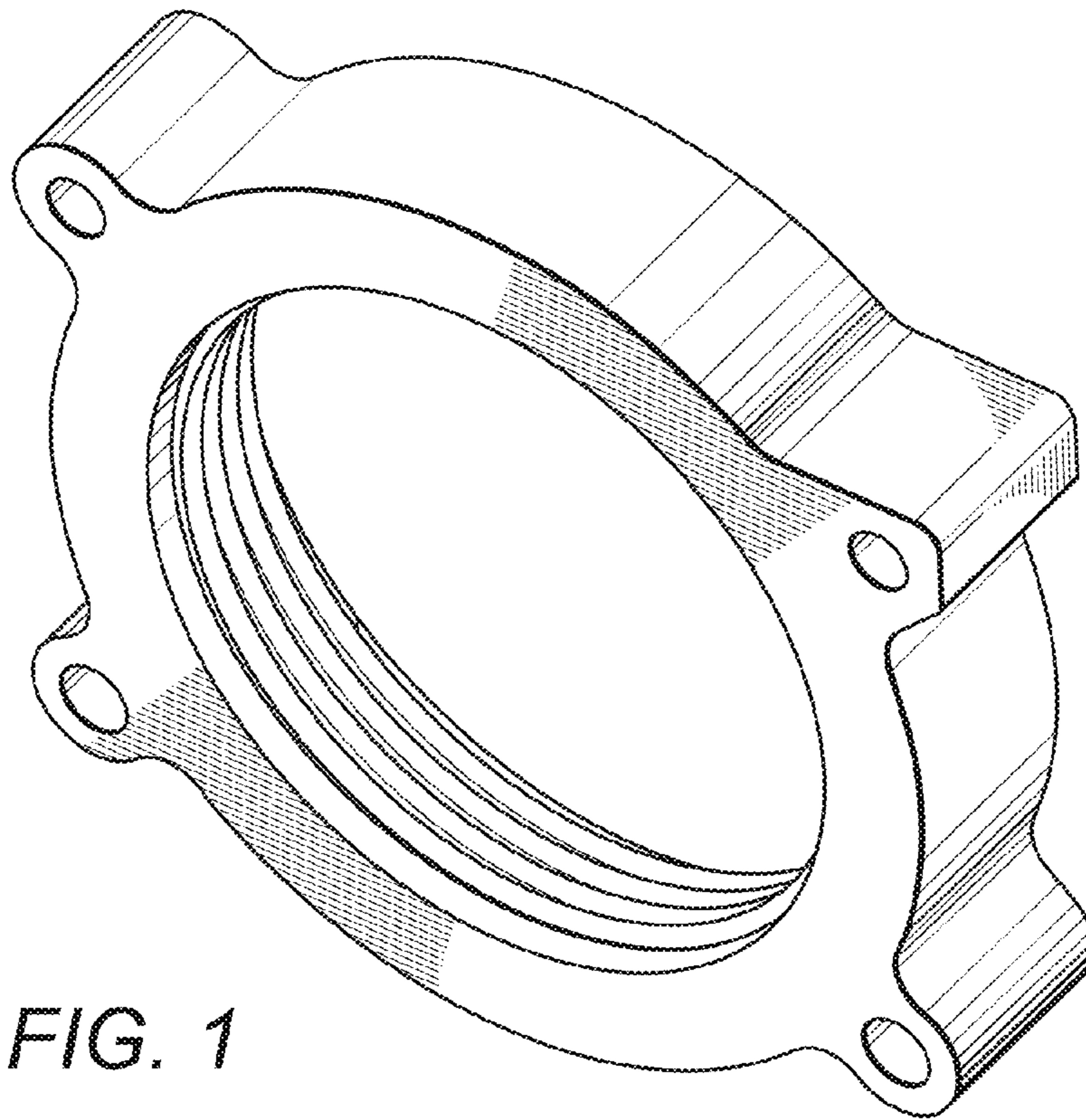


FIG. 1

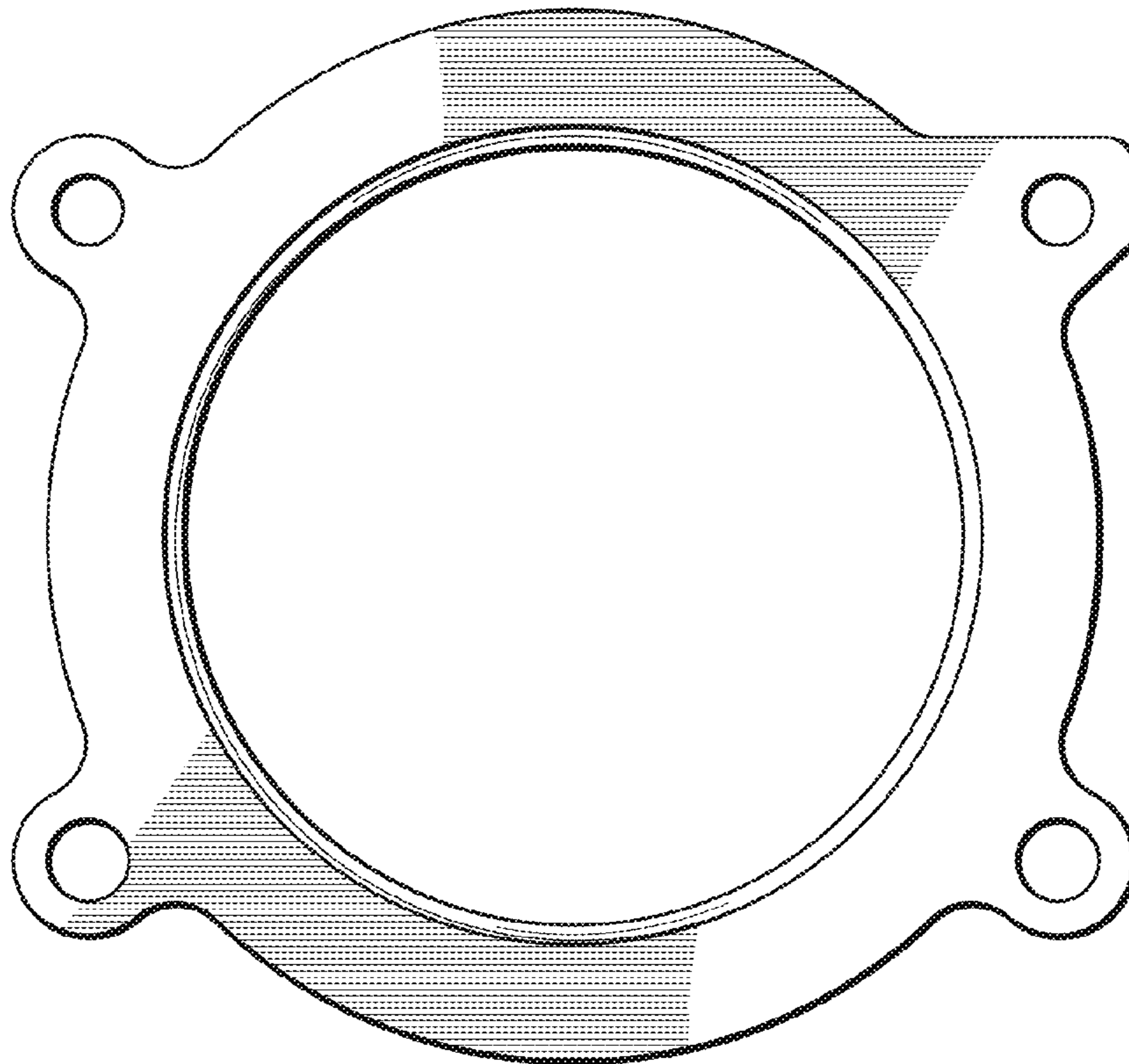


FIG. 2

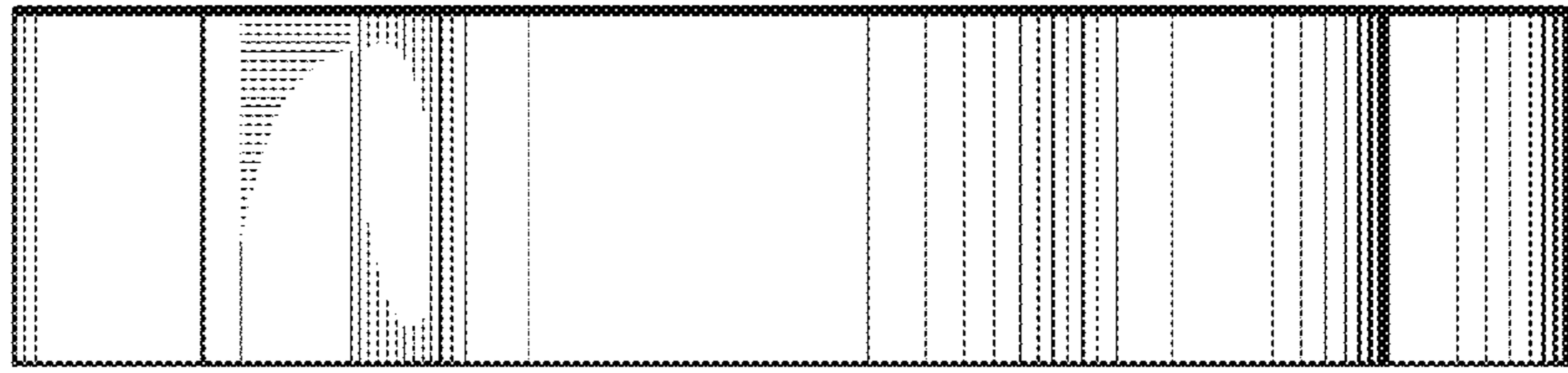


FIG. 5

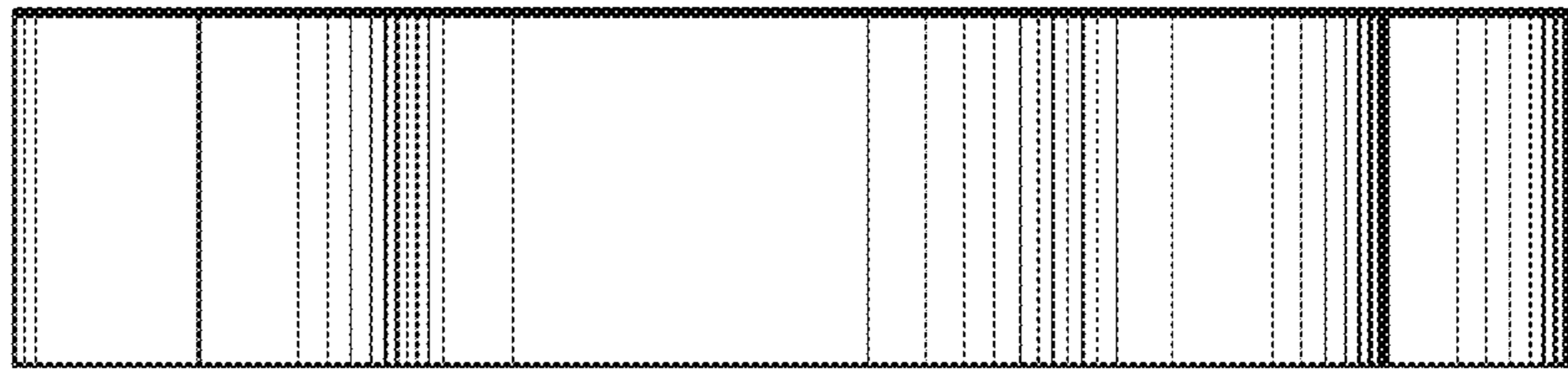


FIG. 4

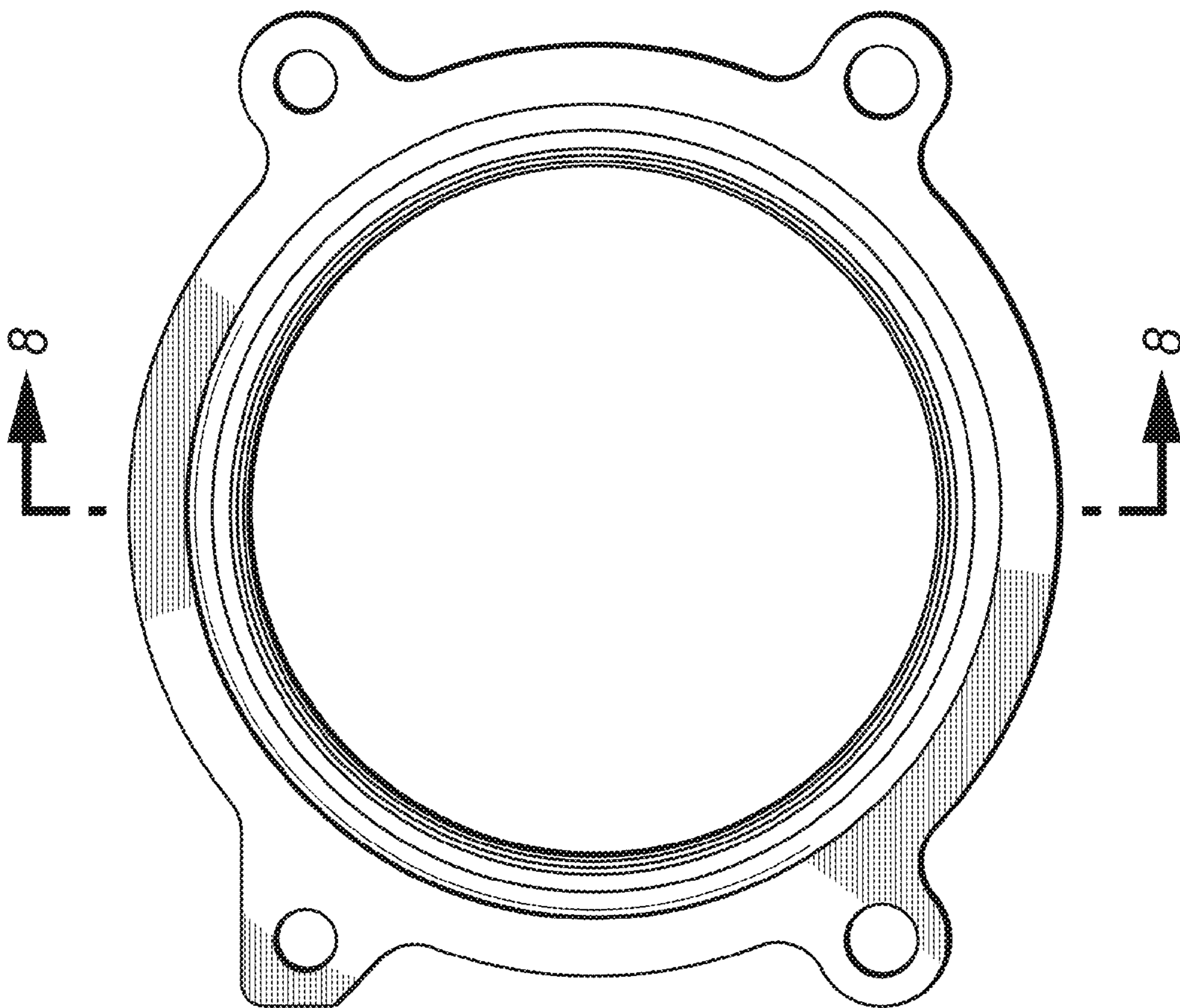


FIG. 3

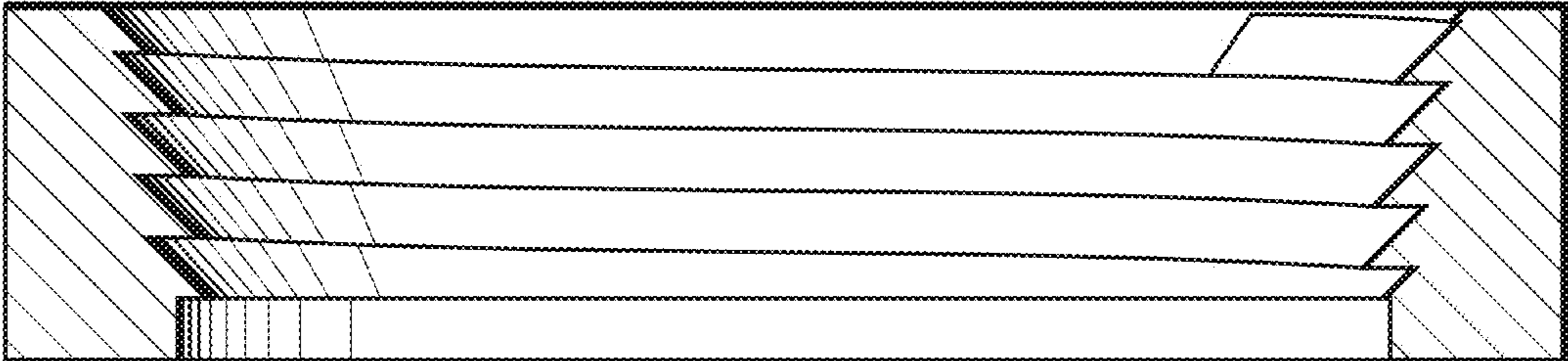


FIG. 8

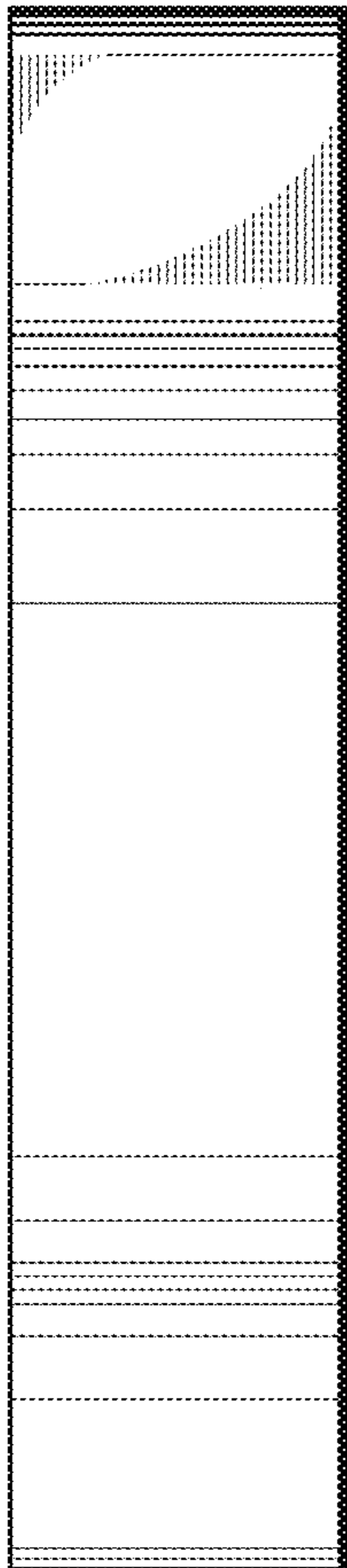


FIG. 6

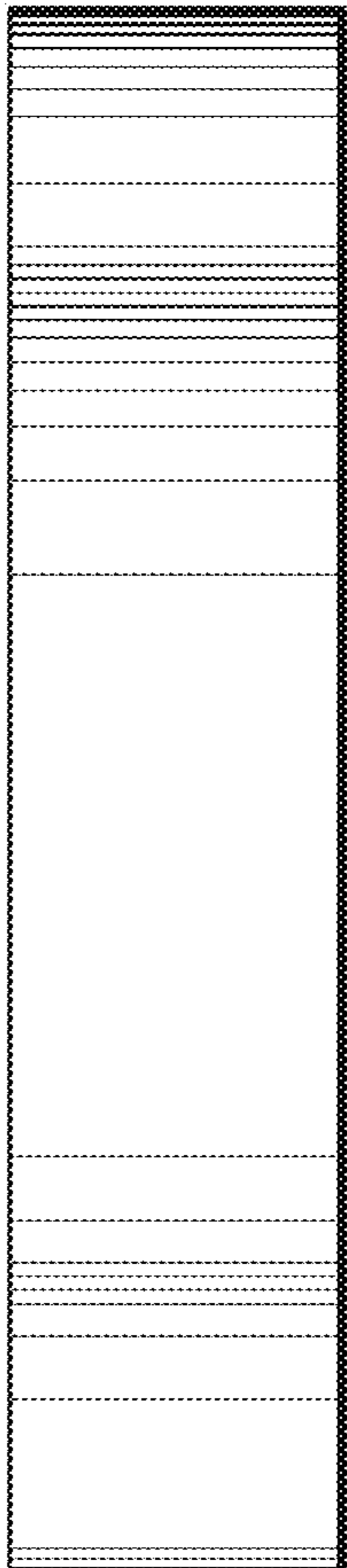


FIG. 7