



US00D935302S

(12) **United States Design Patent** (10) **Patent No.:** **US D935,302 S**
Ye (45) **Date of Patent:** **** Nov. 9, 2021**

(54) **REFRIGERATOR LOCK**

FOREIGN PATENT DOCUMENTS

(71) Applicant: **Ningbo honest hardware CO., Ltd.**,
Ningbo (CN)

CN 305833387 * 10/2019
CN 305875291 * 11/2019

(Continued)

(72) Inventor: **Lei Ye**, Zhejiang (CN)

(73) Assignee: **Ningbo honest hardware CO., Ltd.**,
Ningbo (CN)

OTHER PUBLICATIONS

(**) Term: **15 Years**

Latibell Store, Refrigerator Door Lock, Date first available Nov. 5, 2018, [online]retrieved Sep. 6, 2021, available from https://www.amazon.com/dp/B07K85M5FM/ref=sspa_dk_detail_8?psc=1&pd_rd_i=B07K85M5FM&pd_rd_w=50kBt&pf_rd_p=5d846283-ed3e-4512-a744-a30f97c5d738&pd_rd_wg=BJLU0&pf_rd_r=TT2DEYB (Year: 2018).*

(21) Appl. No.: **29/750,867**

(Continued)

(22) Filed: **Sep. 17, 2020**

(51) **LOC (13) Cl.** **08-07**

(52) **U.S. Cl.**

USPC **D8/330**; D8/331

(58) **Field of Classification Search**

USPC D8/330, 331, 336, 338, 339, 341, 342,
D8/343, 335, 340, 344, 345, 346, 324,
D8/348, 365, 303, 305

CPC E05B 13/002; E05B 47/0045; E05B
65/0014; E05B 67/003; E05B 65/44;
E05B 65/46; E05B 65/00; Y10T 292/37;
Y10T 70/5168; Y10T 70/459; Y10T
292/34; Y10T 292/23; Y10T 70/487;
Y10T 70/40; Y10T 70/411; Y10T
292/228; Y10T 70/5093; Y10T 70/5097;
Y10T 70/5124; Y10T 70/5155; Y10T
70/5199; Y10T 70/5208; Y10S 70/65;
E05C 19/186; A47B 88/50

See application file for complete search history.

Primary Examiner — Keli L Hill

Assistant Examiner — Sara S Sahneh

(74) *Attorney, Agent, or Firm* — ScienBiziP, P.C.

(57) **CLAIM**

The ornamental design for a refrigerator lock, as shown and described.

DESCRIPTION

FIG. 1 is a front perspective view of a refrigerator lock, showing my design.

FIG. 2 is a rear perspective view thereof.

FIG. 3 is a front elevation view thereof.

FIG. 4 is a rear elevation view thereof.

FIG. 5 is a left side elevation thereof.

FIG. 6 is a right side elevation thereof.

FIG. 7 is a top plan view thereof.

FIG. 8 is a bottom plan view thereof; and,

FIG. 9 is a perspective view of the refrigerator lock wherein a key switch is replaced by a magnet switch.

The broken lines shown are included for the purpose of illustrating portions of the refrigerator lock that form no part of the claim.

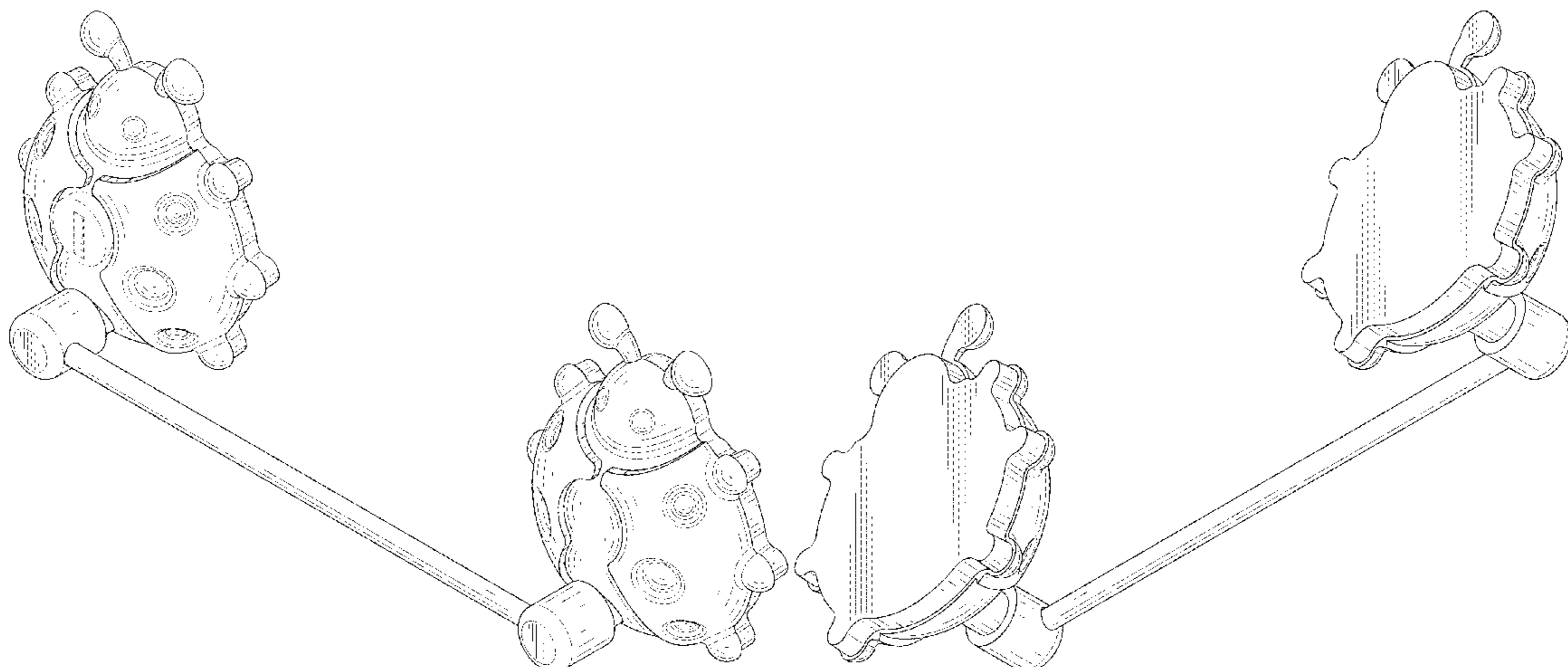
(56) **References Cited**

U.S. PATENT DOCUMENTS

4,372,136 A * 2/1983 Mickelson E05B 83/10
292/288
D444,050 S * 6/2001 Wyers D8/341
8,851,535 B2 * 10/2014 Miskel E05C 19/186
292/288
D836,419 S * 12/2018 Marsden D8/336
D890,228 S 7/2020 Fidler

(Continued)

1 Claim, 9 Drawing Sheets



(56)

References Cited

U.S. PATENT DOCUMENTS

D890,596	S		7/2020	Piggott	
D898,561	S	*	10/2020	Pizanias	D8/402
D899,891	S	*	10/2020	Xie	D8/330
D906,088	S	*	12/2020	Pizanias	D8/339
D907,984	S	*	1/2021	Heroux	D8/330
D907,985	S	*	1/2021	Janjua	D8/330
2006/0272365	A1	*	12/2006	Copus	E05B 13/002 70/14
2016/0340948	A1	*	11/2016	McCullough	E05B 65/0014
2019/0153746	A1	*	5/2019	Wang	E05B 13/002
2020/0018097	A1	*	1/2020	Andersen	E05B 65/0014

FOREIGN PATENT DOCUMENTS

CN	306295844	*	9/2020
CN	306467579	*	12/2020
CN	306509328	*	1/2021
EM	008610620-0001	*	7/2021
GB	6122441	*	3/2021

OTHER PUBLICATIONS

Lock Podz ,Refrigerator Lock,Date first available Apr. 4, 2019, [online]retrieved Sep. 6, 2021,available from [https://www.amazon.com/LOCK-PODZ-Refrigerator-Freezer-Safety/dp/B07QB9YWM2/ref=sr_1_153?crid=3SMHGTK1ZXP3X&dchild=1&keywords=refrigerator+lock+for+kids&qid=1630946418&sprefix=REFRIG \(Year: 2019\).](https://www.amazon.com/LOCK-PODZ-Refrigerator-Freezer-Safety/dp/B07QB9YWM2/ref=sr_1_153?crid=3SMHGTK1ZXP3X&dchild=1&keywords=refrigerator+lock+for+kids&qid=1630946418&sprefix=REFRIG (Year: 2019).)*

Eudemon Store, Baby Safety French Fridge Door Lock,Date first available Sep. 11 2020, [online]retrieved Sep. 6, 2021,available from [https://www.amazon.ca/Refrigerator-Cupboard-Childproof-Proofing-Adhesive/dp/B08H7YCRN3/ref=sr_1_50?dchild=1&keywords=Child%2BSafety%2BCabinet%2BLocks&qid=1630954634&sr=8-5 \(Year: 2020\).](https://www.amazon.ca/Refrigerator-Cupboard-Childproof-Proofing-Adhesive/dp/B08H7YCRN3/ref=sr_1_50?dchild=1&keywords=Child%2BSafety%2BCabinet%2BLocks&qid=1630954634&sr=8-5 (Year: 2020).)*

Vgate Store, Baby Proofing Safety Locks,Date first available Dec. 2, 2020, [online]retrieved Sep. 6, 2021,available from [https://www.amazon.ca/dp/B08PFJ42VR/ref=sspa_dk_detail_2?pd_rd_i=B08PFJ42VR&pd_rd_w=yVG0u&pf_rd_p=a2b32c5b-02b0-4273-a3c7-c6bfabb067a2&pd_rd_wg=0b1OH&pf_rd_r=HXW9TSEFW18F7GFFZYY%E2%80%A6 \(Year: 2020\).](https://www.amazon.ca/dp/B08PFJ42VR/ref=sspa_dk_detail_2?pd_rd_i=B08PFJ42VR&pd_rd_w=yVG0u&pf_rd_p=a2b32c5b-02b0-4273-a3c7-c6bfabb067a2&pd_rd_wg=0b1OH&pf_rd_r=HXW9TSEFW18F7GFFZYY%E2%80%A6 (Year: 2020).)*

* cited by examiner

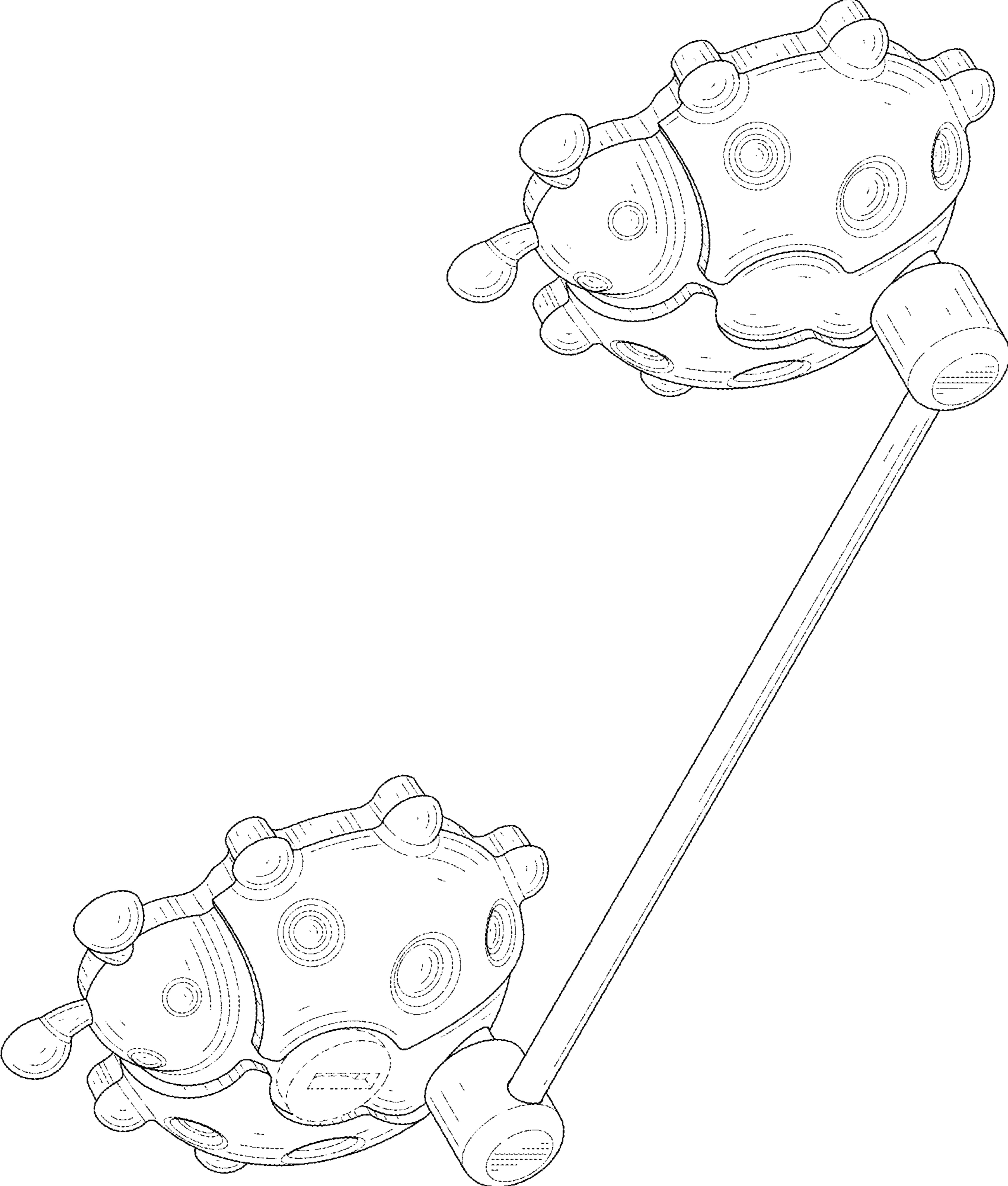


FIG. 1

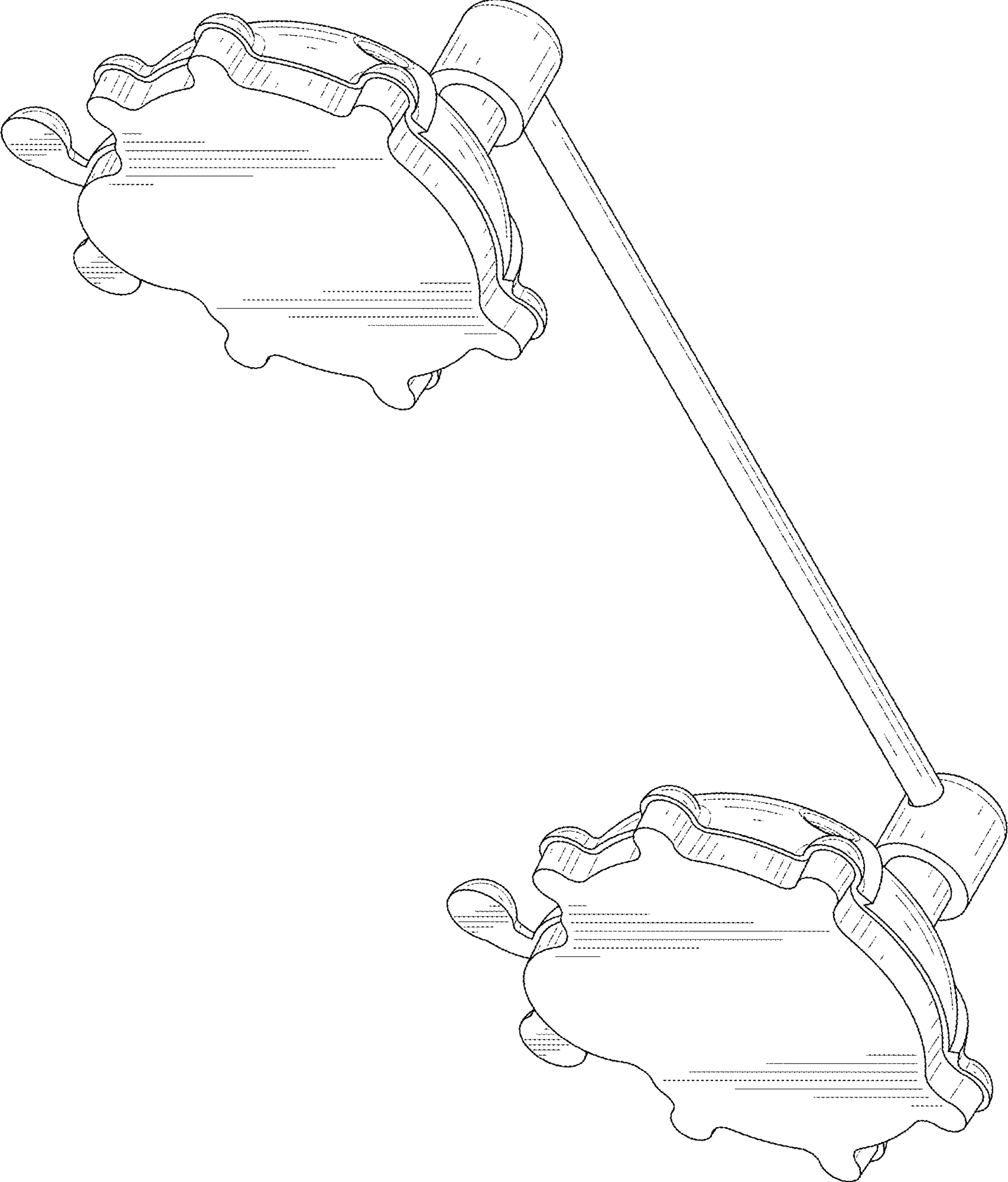


FIG. 2

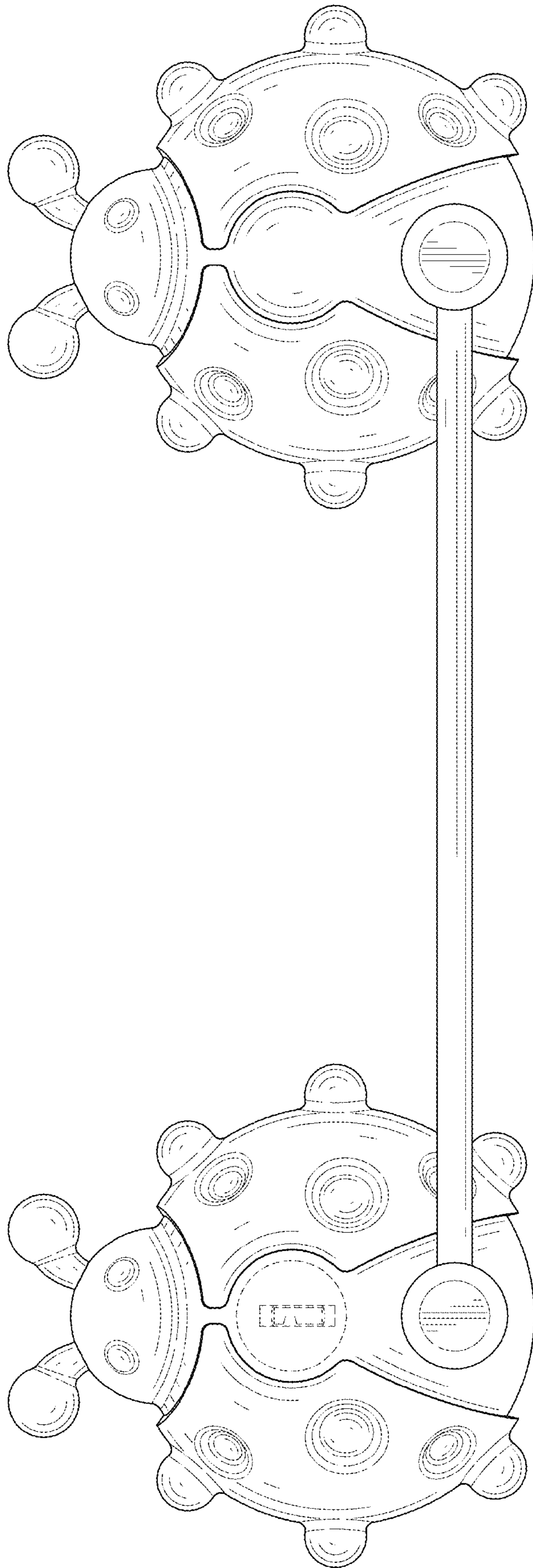


FIG. 3

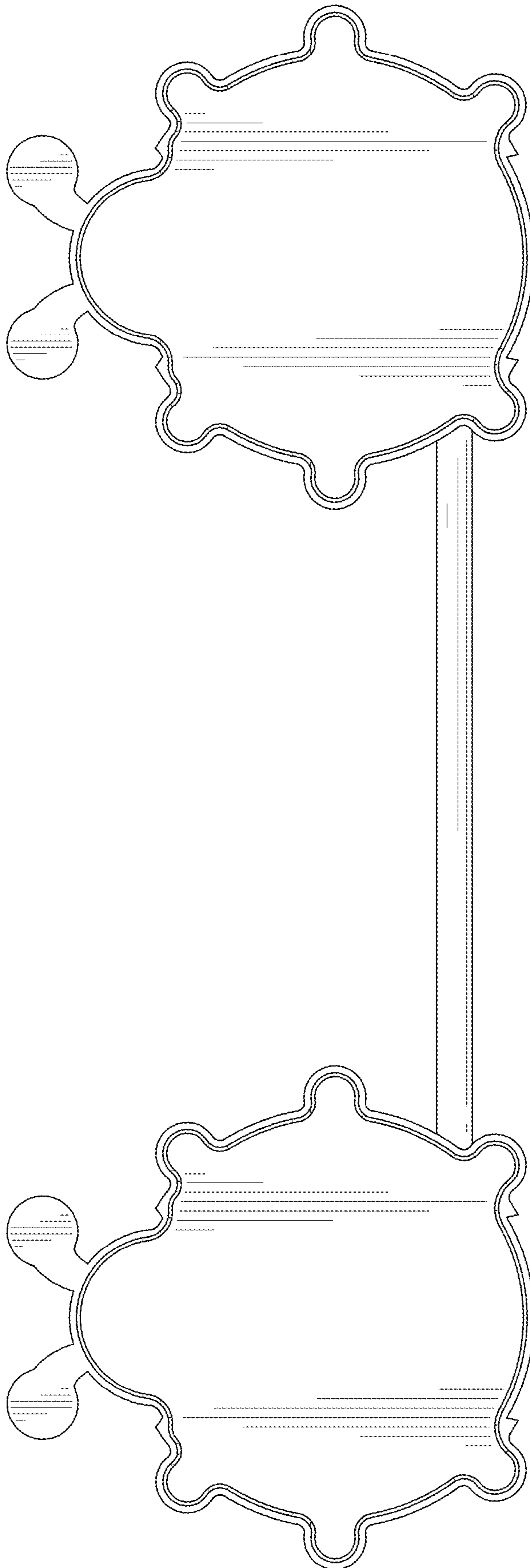


FIG. 4

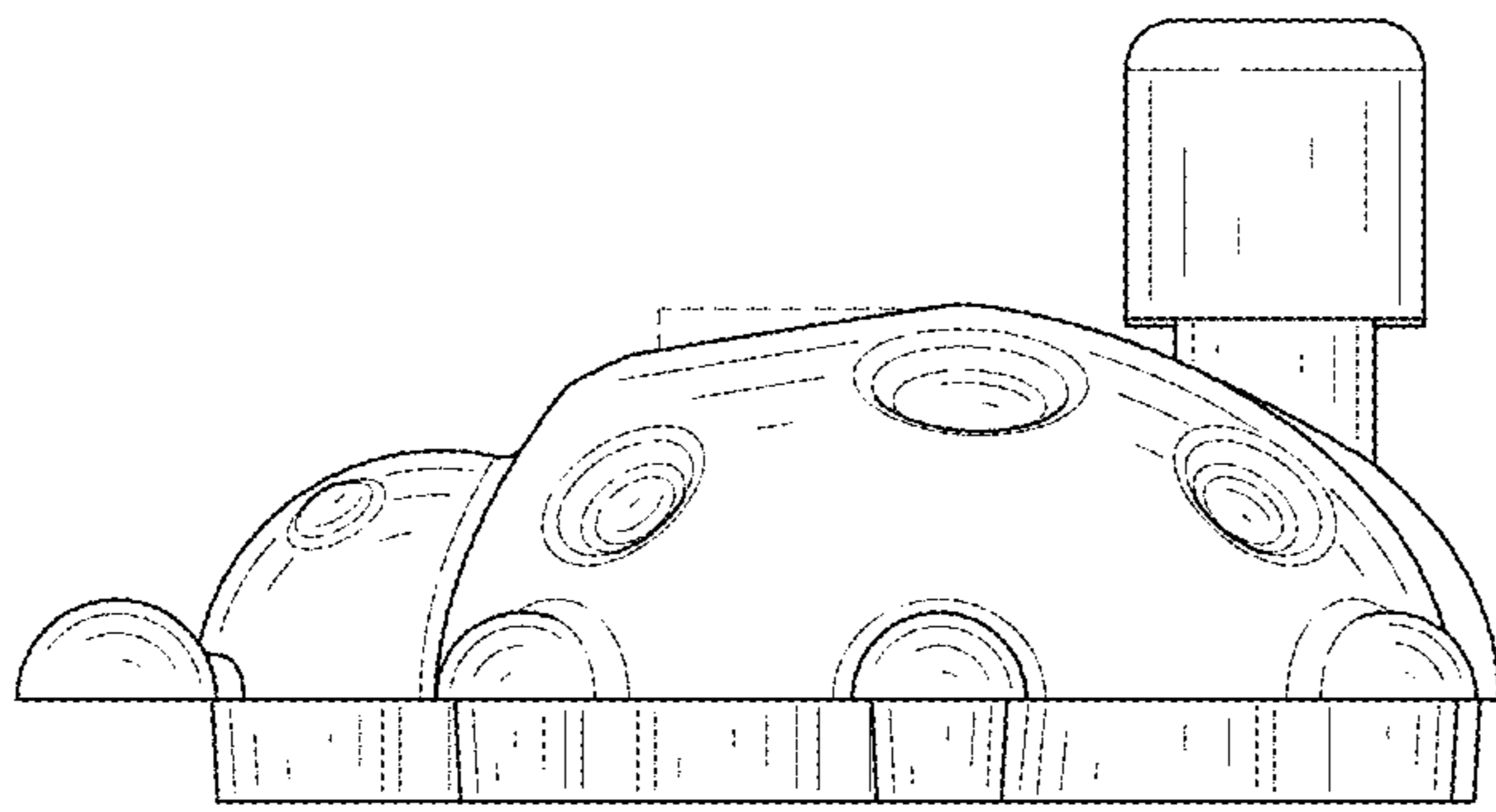


FIG. 5

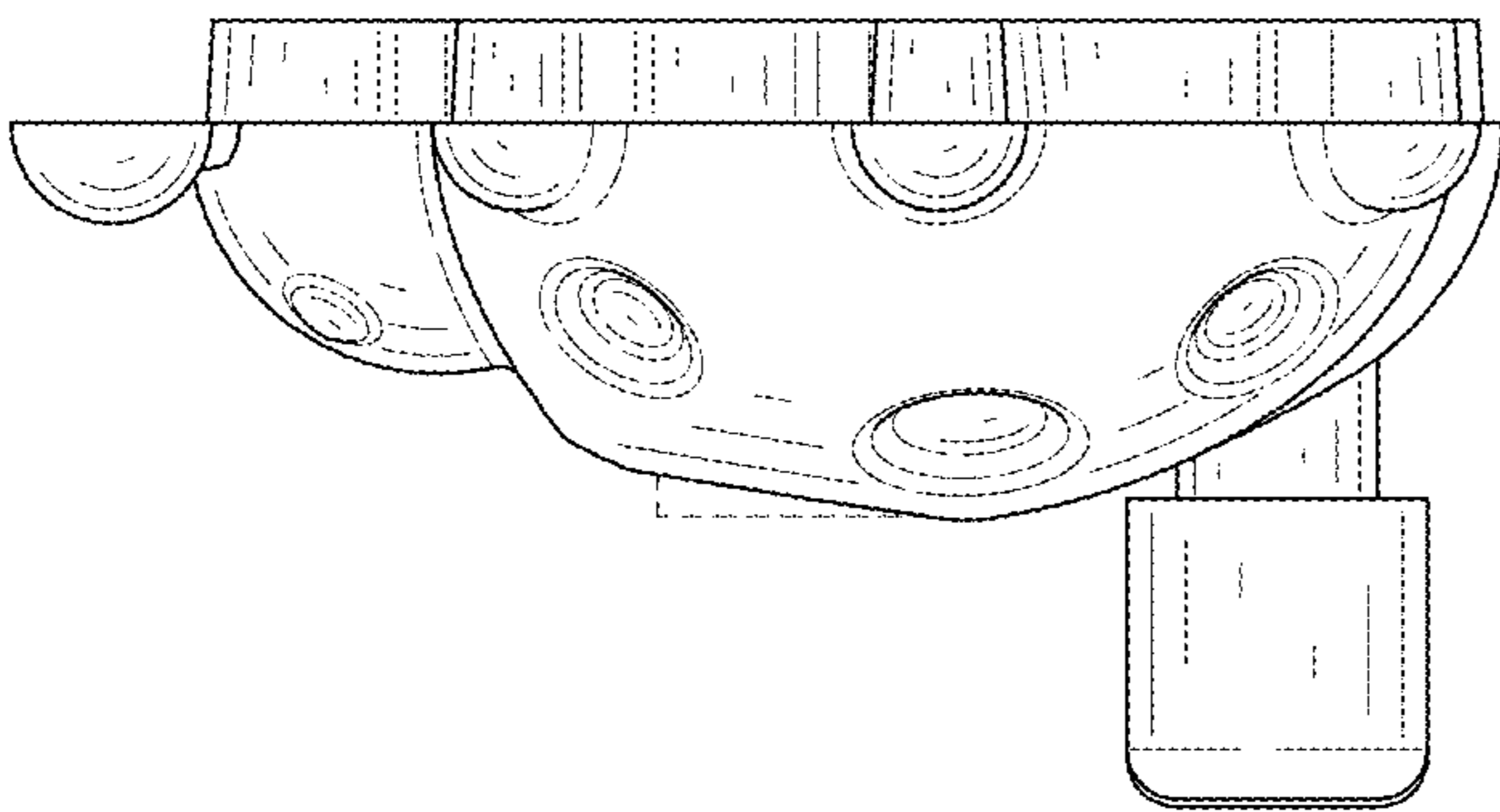


FIG. 6

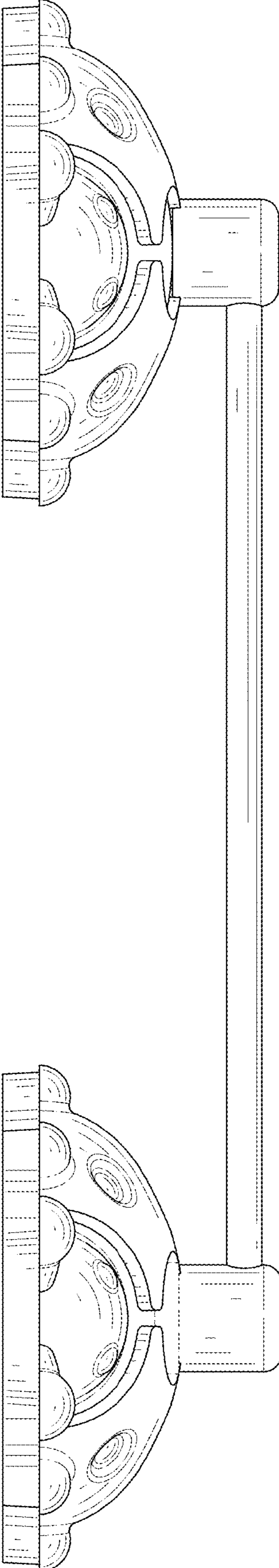


FIG. 7

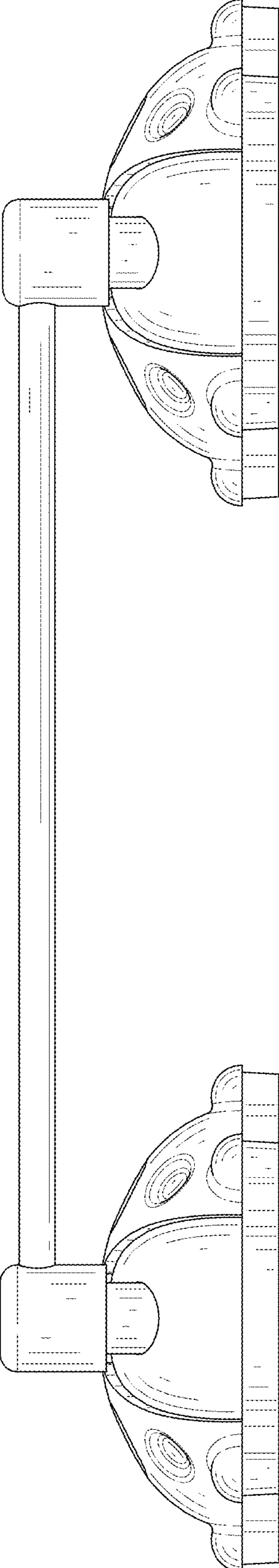


FIG. 8

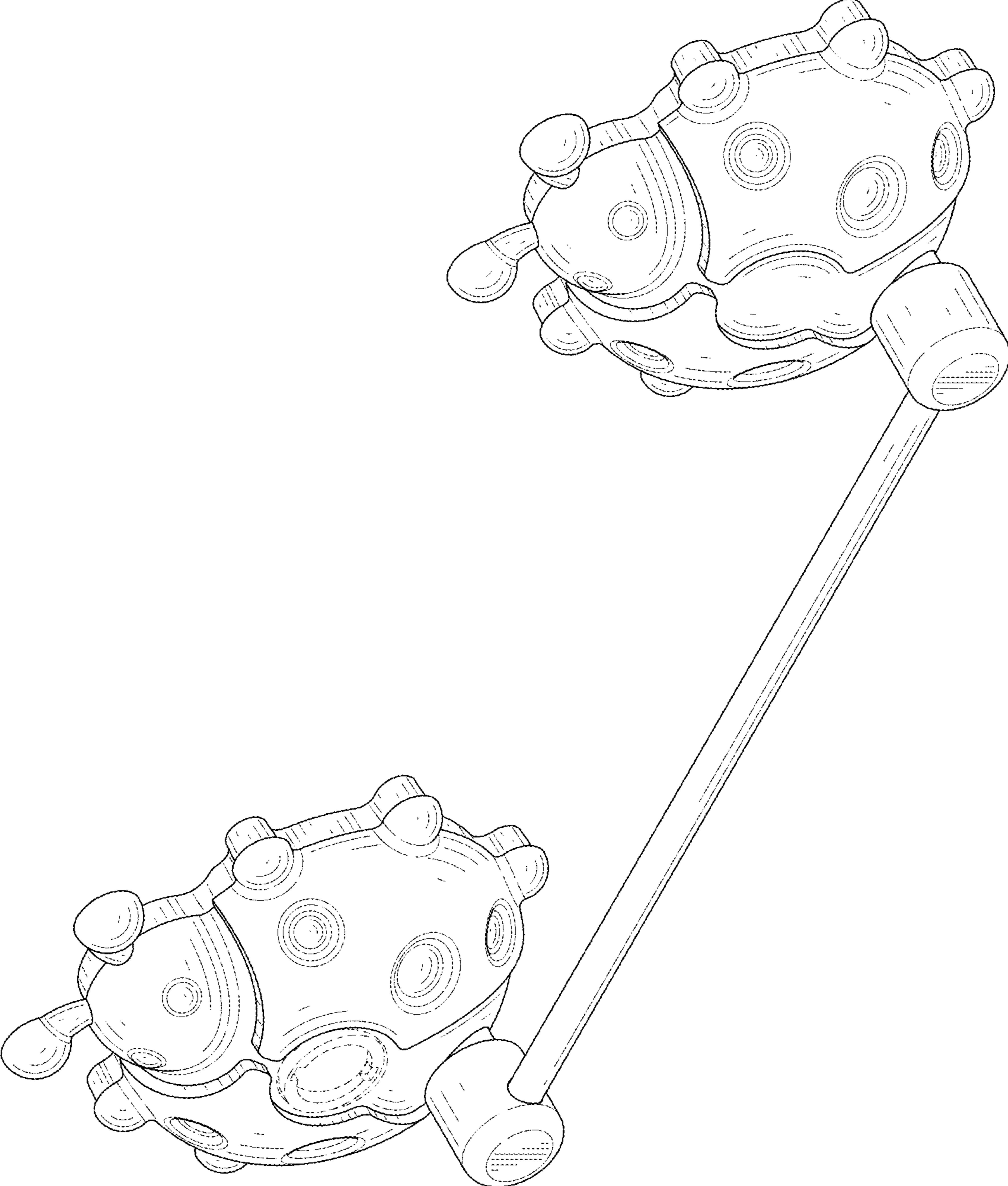


FIG. 9