



US00D935300S

(12) **United States Design Patent** (10) **Patent No.:** **US D935,300 S**
Chen (45) **Date of Patent:** **** Nov. 9, 2021**

(54) **DOOR LOCK**
(71) Applicant: **Feifei Chen**, Guizhou Province (CN)
(72) Inventor: **Feifei Chen**, Guizhou Province (CN)
(**) Term: **15 Years**
(21) Appl. No.: **29/728,644**
(22) Filed: **Mar. 20, 2020**
(51) **LOC (13) Cl.** **08-06**
(52) **U.S. Cl.**
USPC **D8/302; D8/331**
(58) **Field of Classification Search**
USPC D8/330, 331, 338, 341, 301, 302, 307,
D8/312
CPC E05B 1/00; E05B 1/0015; E05B 5/006;
E05B 47/00; E05B 47/0001; E05C 1/002;
E05C 1/004; E05C 1/08; E05C 3/002;
E05C 3/004; E05C 3/006; E05C 3/008;
E05C 3/12
See application file for complete search history.

9,303,432 B2 * 4/2016 Sambar E05B 1/003
9,487,971 B2 * 11/2016 Quach E05B 47/0005
D793,205 S * 8/2017 Ho D8/330
9,727,328 B2 * 8/2017 Johnson G06F 8/65
D806,515 S * 1/2018 Backhaus D8/331
D817,739 S * 5/2018 Ocklenburg D8/343
10,049,520 B2 * 8/2018 Gardiner G07C 9/00571
D837,031 S * 1/2019 Cavanna D8/331
10,329,795 B2 * 6/2019 Roatis E05B 15/0013
10,342,090 B2 * 7/2019 Noeldner H05B 47/105
10,563,425 B2 * 2/2020 Lunday E05B 1/003

* cited by examiner

Primary Examiner — Doris Clark

(57) **CLAIM**

The ornamental design for a door lock, as shown and described.

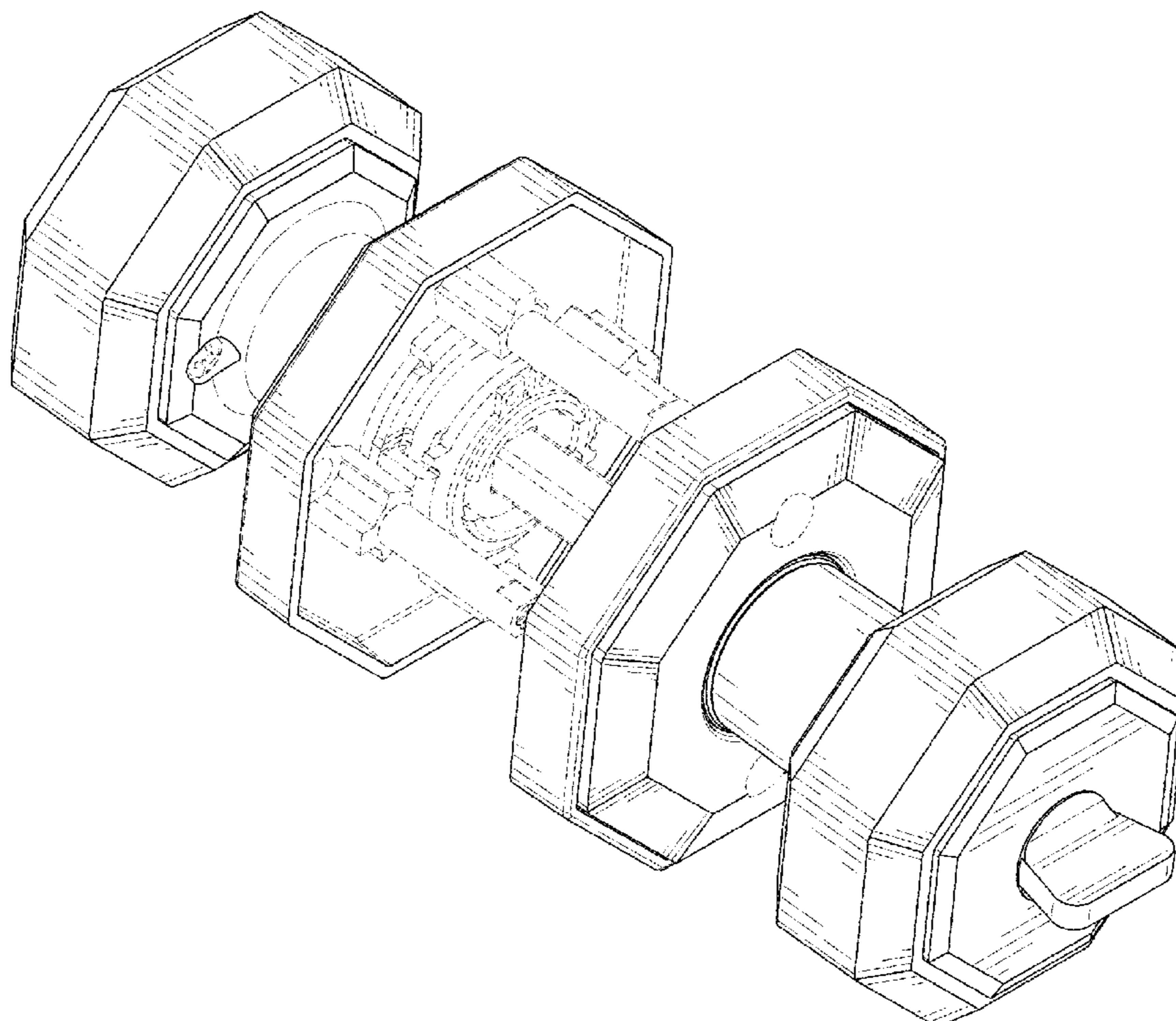
DESCRIPTION

FIG. 1 is a front and bottom perspective view of a door lock, showing my new design;
FIG. 2 is a rear and top perspective view thereof;
FIG. 3 is a front elevational view thereof;
FIG. 4 is a rear elevational view thereof;
FIG. 5 is a left side elevational view thereof;
FIG. 6 is a right side elevational view thereof;
FIG. 7 is a top plan view thereof; and,
FIG. 8 is a bottom plan view thereof.
The broken lines in the figures illustrate portions of the door lock that form no part of the claimed design.

(56) **References Cited**
U.S. PATENT DOCUMENTS

D297,807 S * 9/1988 Fildan D8/300
D391,143 S * 2/1998 Jancsek D8/306
D554,196 S * 10/2007 Luo D8/338
D578,374 S * 10/2008 Kim D8/302
D691,448 S * 10/2013 Weathersby D8/301
D709,351 S * 7/2014 Le D8/331
8,869,574 B2 * 10/2014 Schmidt-Lackner
E05B 13/001
70/129

1 Claim, 8 Drawing Sheets



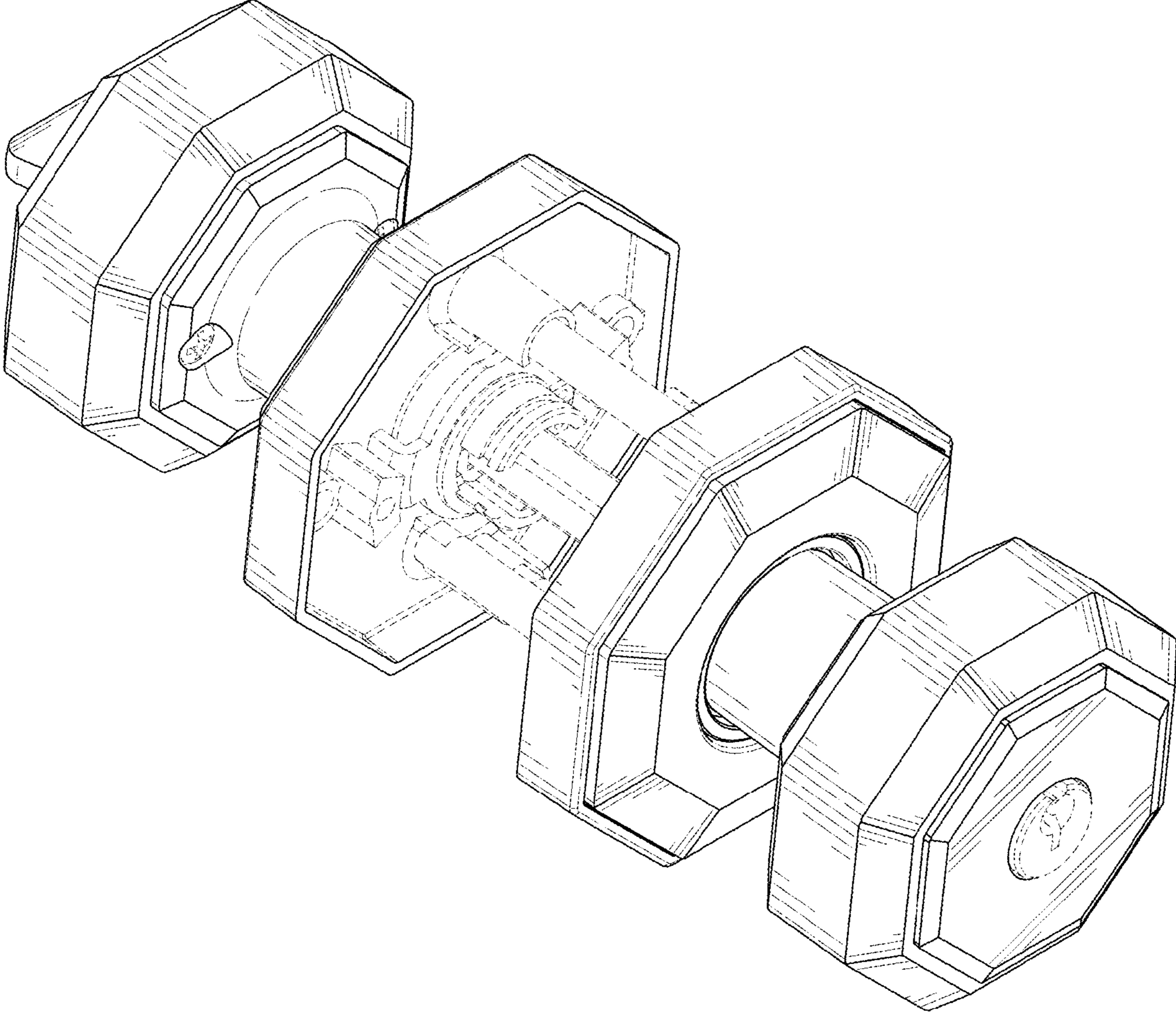


FIG. 1

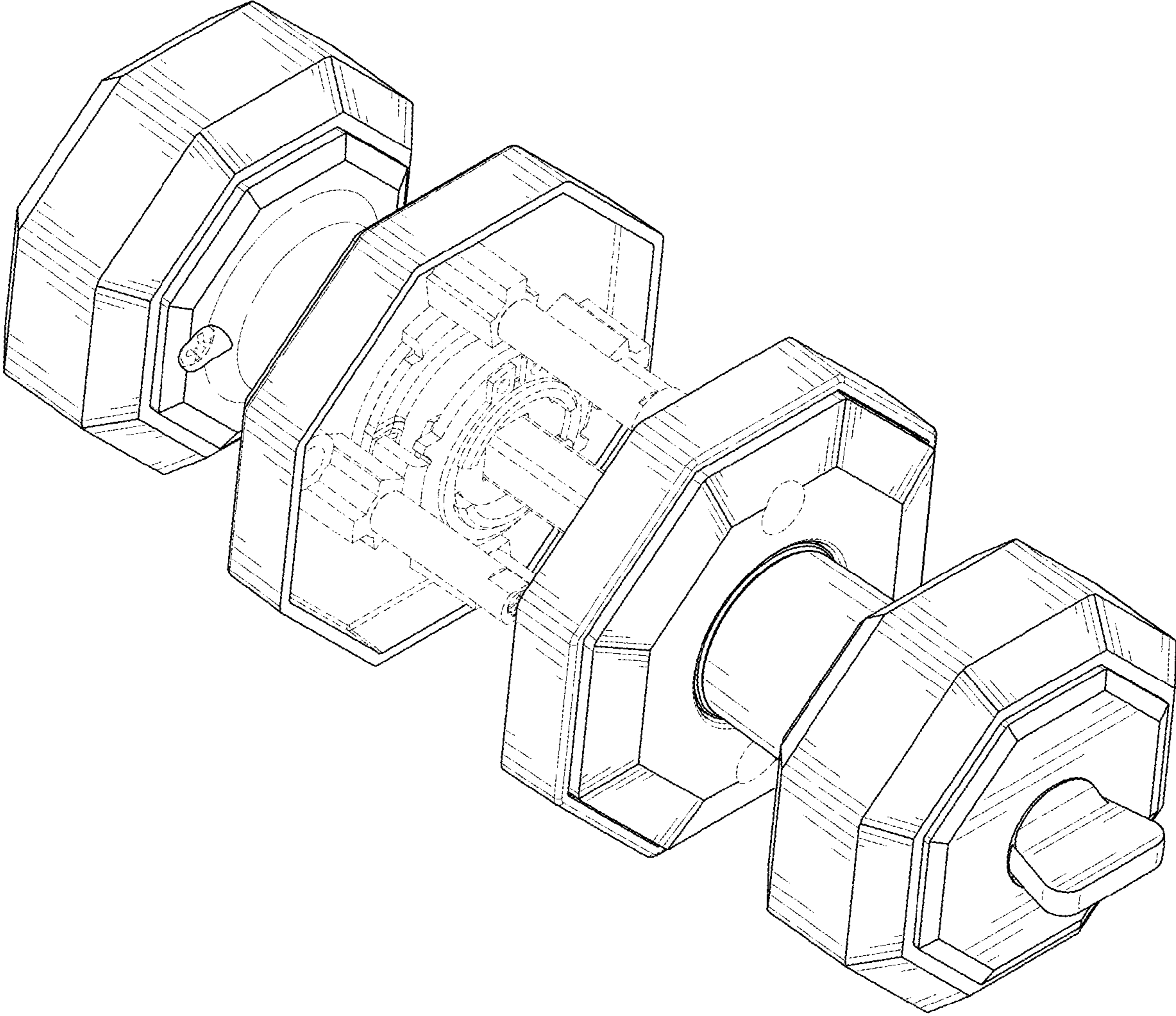


FIG. 2

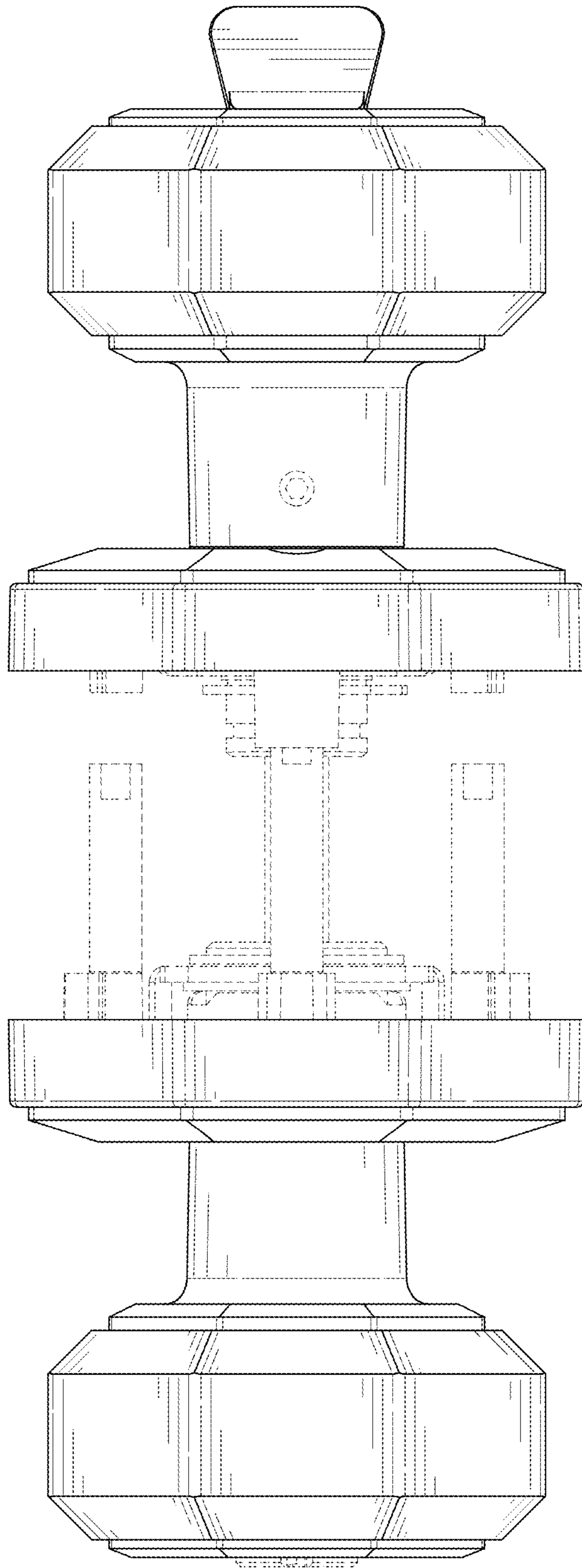


FIG. 3

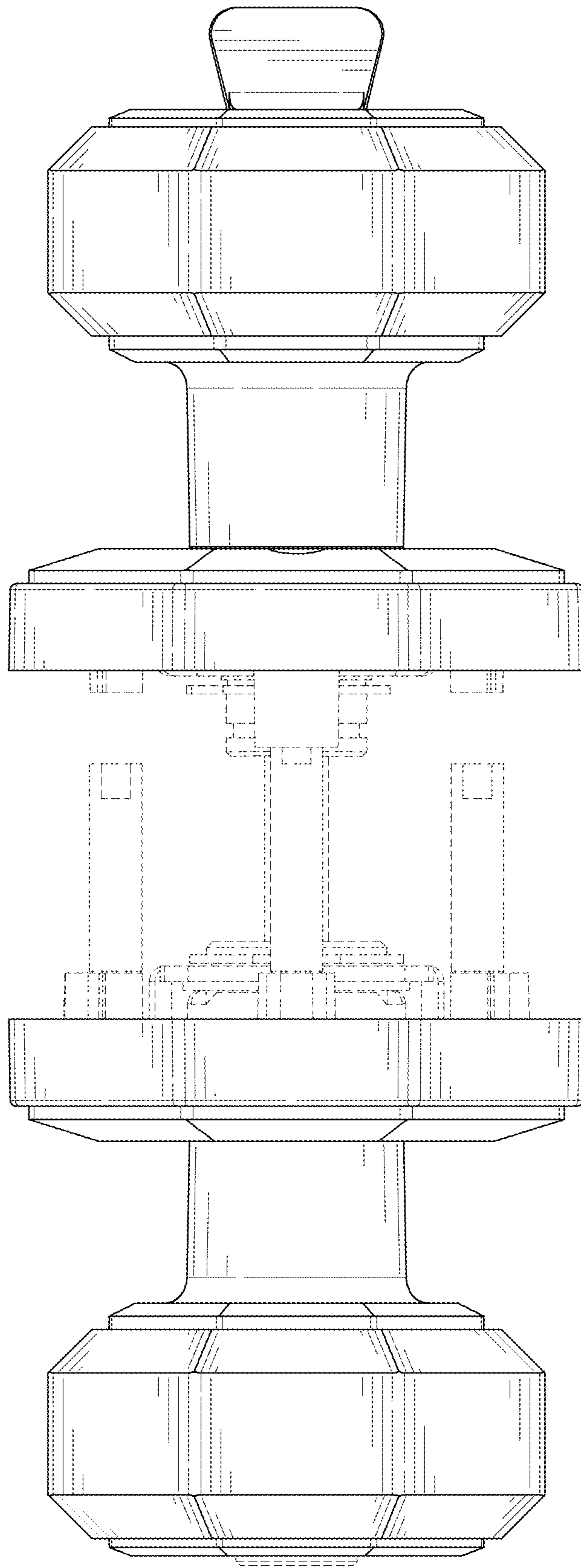


FIG. 4

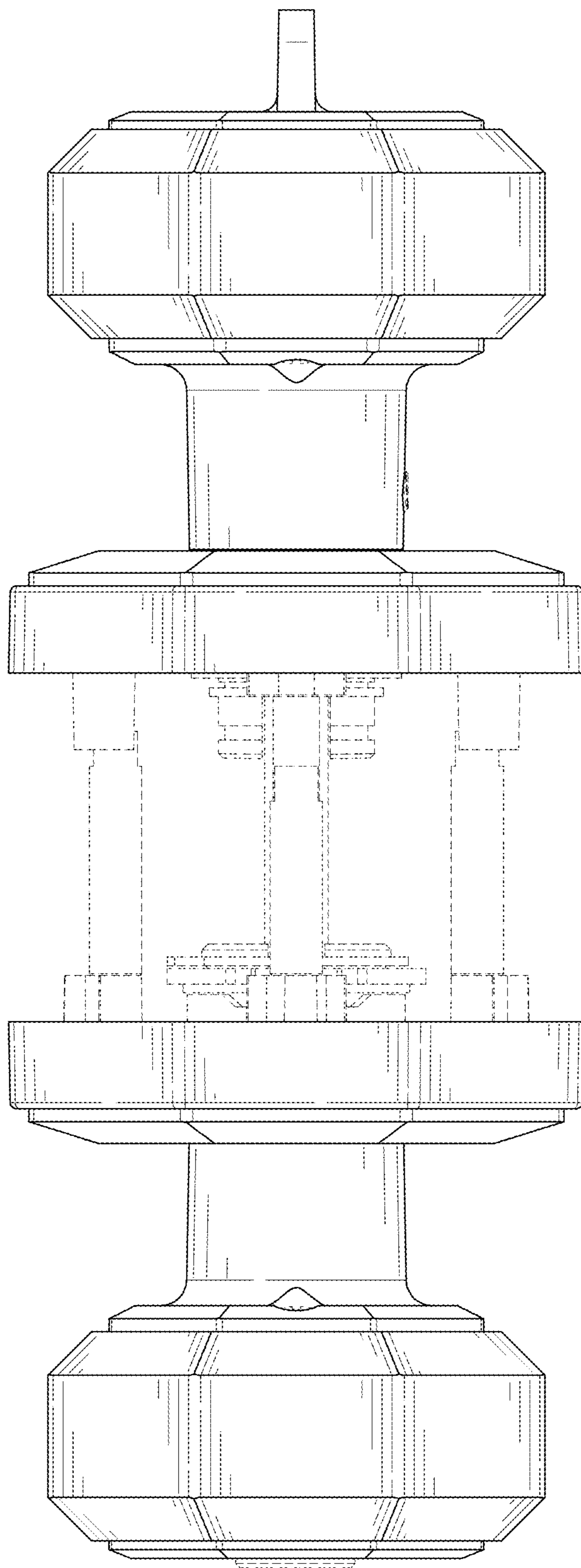


FIG. 5

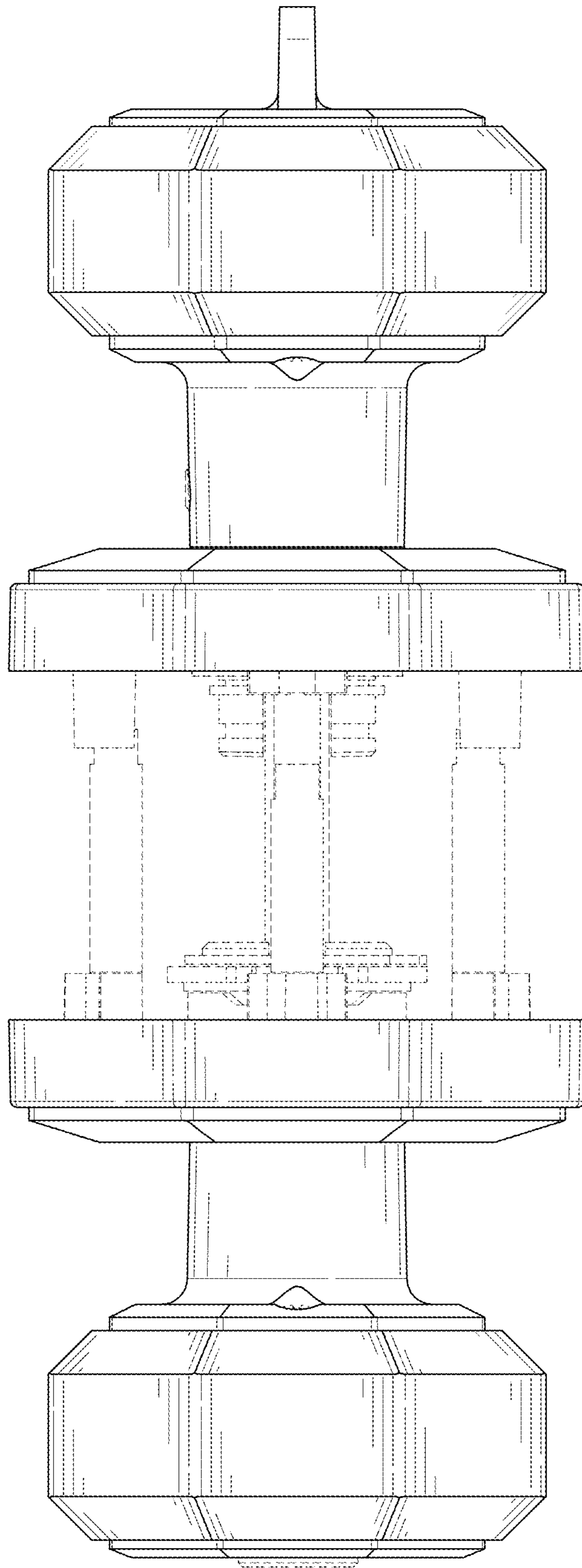


FIG. 6

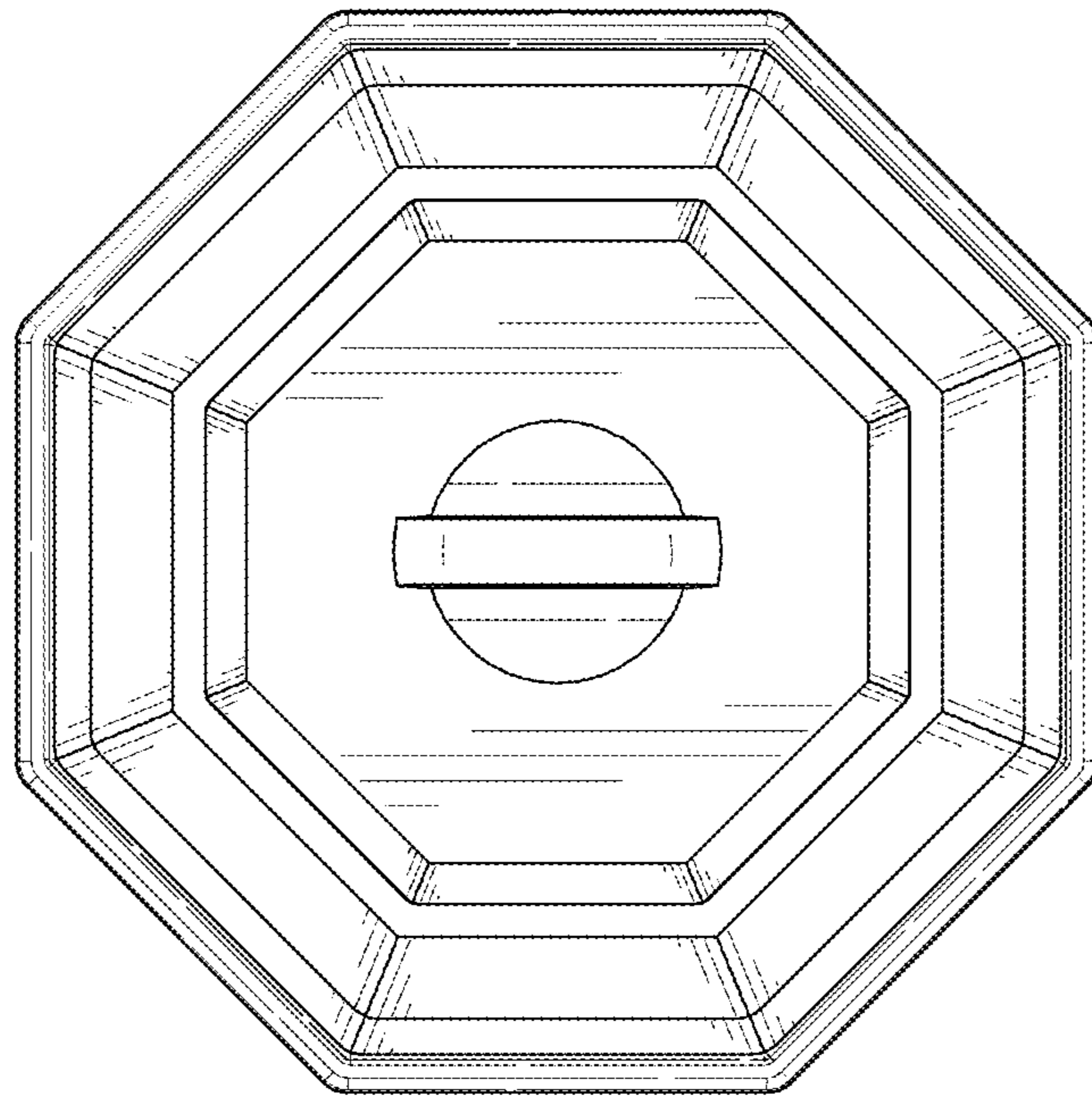


FIG. 7

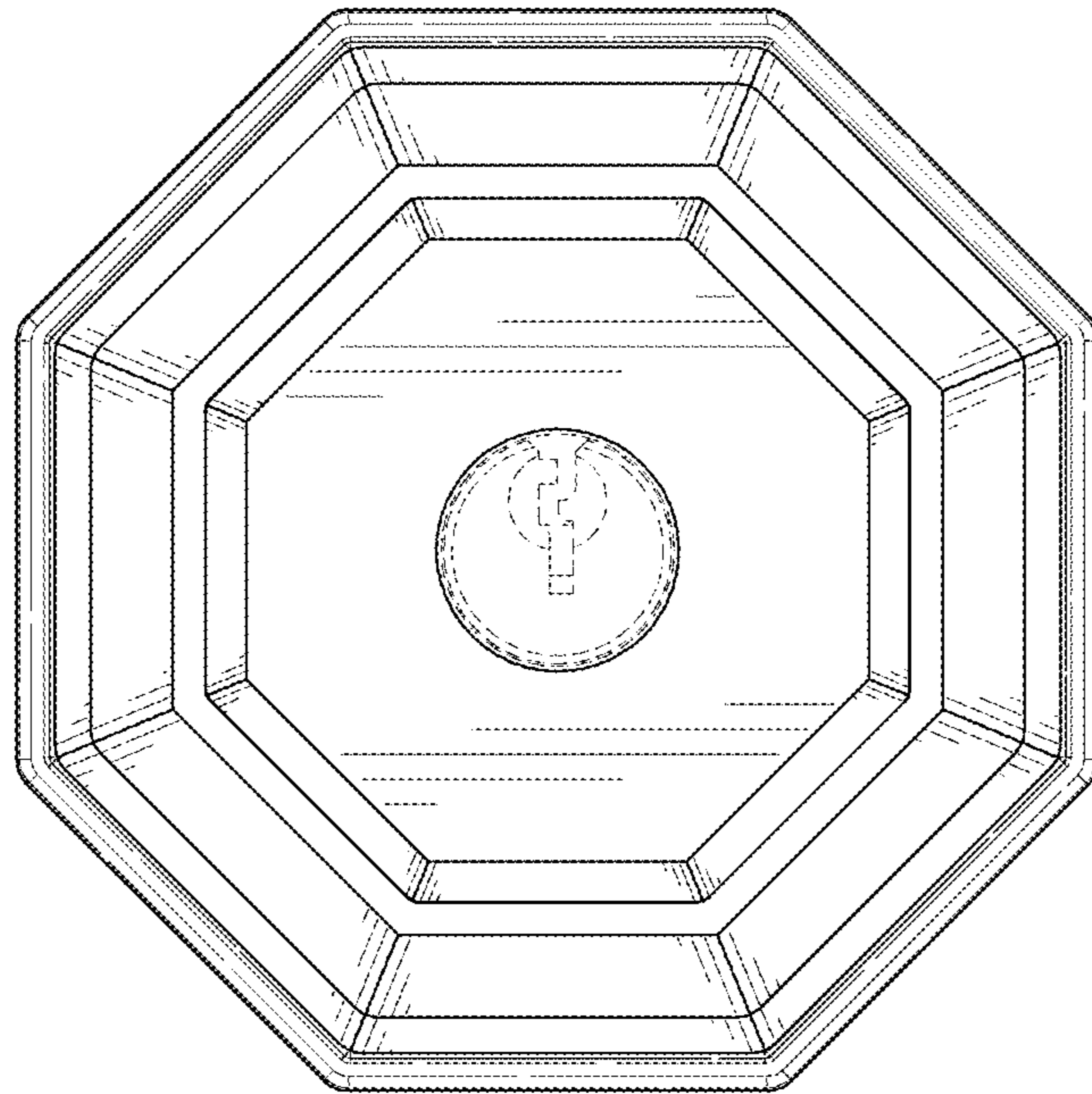


FIG. 8