



US00D935298S

(12) **United States Design Patent** (10) **Patent No.:** **US D935,298 S**  
**Liu** (45) **Date of Patent:** **\*\* Nov. 9, 2021**

(54) **SCREW EXTRACTOR**  
(71) Applicant: **Jiaxin Liu**, Shenzhen (CN)  
(72) Inventor: **Jiaxin Liu**, Shenzhen (CN)  
(\*\*) Term: **15 Years**  
(21) Appl. No.: **29/710,528**  
(22) Filed: **Oct. 24, 2019**  
(51) **LOC (13) Cl.** ..... **08-04**  
(52) **U.S. Cl.**  
USPC ..... **D8/86**  
(58) **Field of Classification Search**  
USPC ..... D8/70, 82, 85, 86; D15/139  
CPC ..... B25B 27/18; B25B 15/00; B25B 15/001;  
B25B 15/005; B25B 15/007; B25B 15/02;  
B23K 20/1255  
See application file for complete search history.

2011/0061217 A1\* 3/2011 Shevela ..... B25B 27/0035  
29/235  
2011/0252925 A1\* 10/2011 Whitehead ..... B25B 15/005  
81/53.2  
2014/0238202 A1\* 8/2014 Roscosky ..... B25B 27/18  
81/53.2  
2015/0075331 A1\* 3/2015 Catalano ..... B25B 27/18  
81/53.2  
2016/0082579 A1\* 3/2016 Chen ..... B25B 27/18  
81/441  
2016/0279772 A1\* 9/2016 Woods, I ..... B25B 27/18  
2018/0001450 A1\* 1/2018 Anderson ..... B25B 27/18

**OTHER PUBLICATIONS**

22 Piece Damaged Screw Extractor Set, Amazon.com, Reviewed Oct. 1, 2018.\*

\* cited by examiner

*Primary Examiner* — Philip S Hyder

(56) **References Cited**

**U.S. PATENT DOCUMENTS**

1,863,045 A \* 6/1932 Randall ..... B25B 27/18  
81/441  
6,761,089 B2 \* 7/2004 Bergamo ..... B25B 27/18  
81/441  
7,152,509 B2 \* 12/2006 McCalley, Jr. .... B25B 27/18  
81/53.2  
D668,697 S \* 10/2012 Hsu ..... D15/139  
8,579,180 B2 \* 11/2013 Burford ..... B23K 20/1255  
228/2.1  
8,955,415 B2 \* 2/2015 Lin ..... B25B 27/18  
81/53.2  
D778,137 S \* 2/2017 Tao ..... D8/86  
D794,188 S \* 8/2017 Naglapura ..... D24/133  
D794,409 S \* 8/2017 Anderson ..... D8/86  
D853,212 S \* 7/2019 Whited ..... D8/14  
D897,806 S \* 10/2020 Norton ..... D8/86  
2006/0191379 A1 \* 8/2006 McCalley, Jr. .... B25B 27/18  
81/53.2  
2009/0183603 A1 \* 7/2009 Kozak ..... B23B 51/10  
81/53.2

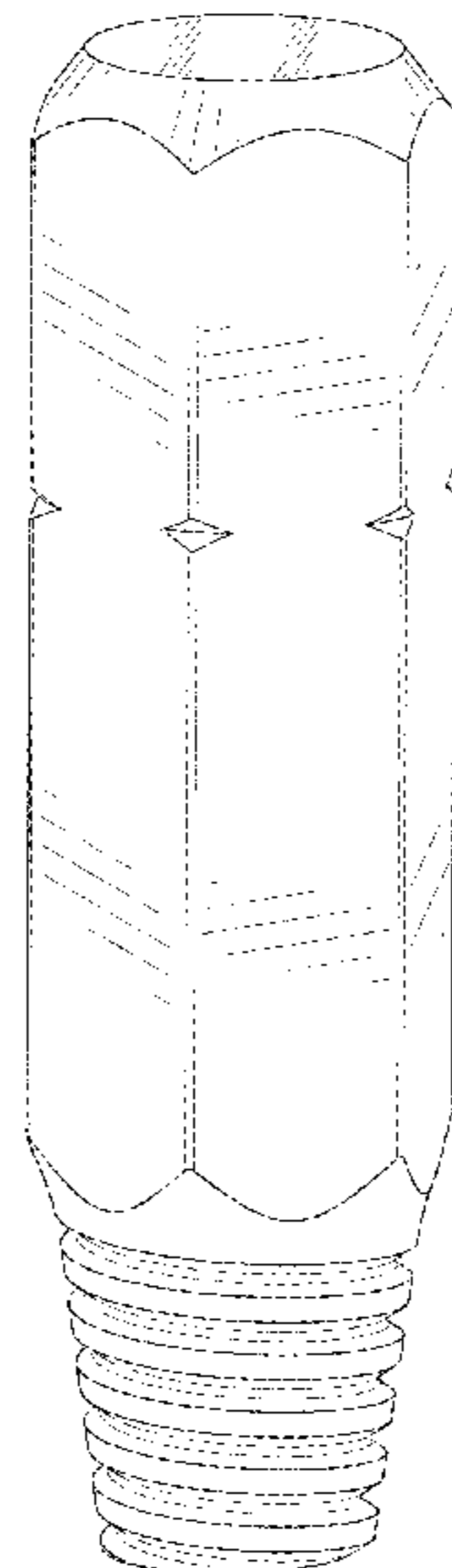
(57) **CLAIM**

The ornamental design for a screw extractor, as shown and described.

**DESCRIPTION**

FIG. 1 is a front and top perspective view of a screw extractor, showing my new design;  
FIG. 2 is a rear and bottom perspective view thereof;  
FIG. 3 is a front elevational view thereof;  
FIG. 4 is a rear elevational view thereof;  
FIG. 5 is a left side elevational view thereof;  
FIG. 6 is a right side elevational view thereof;  
FIG. 7 is a top plan view thereof;  
FIG. 8 is a bottom plan view thereof; and,  
FIG. 9 is an enlarged view of a portion indicated in FIG. 8. The dash dot dash lines in FIGS. 8-9 are for the purpose of depicting the cut line of the enlarged view and form no part of the claimed design.

**1 Claim, 9 Drawing Sheets**



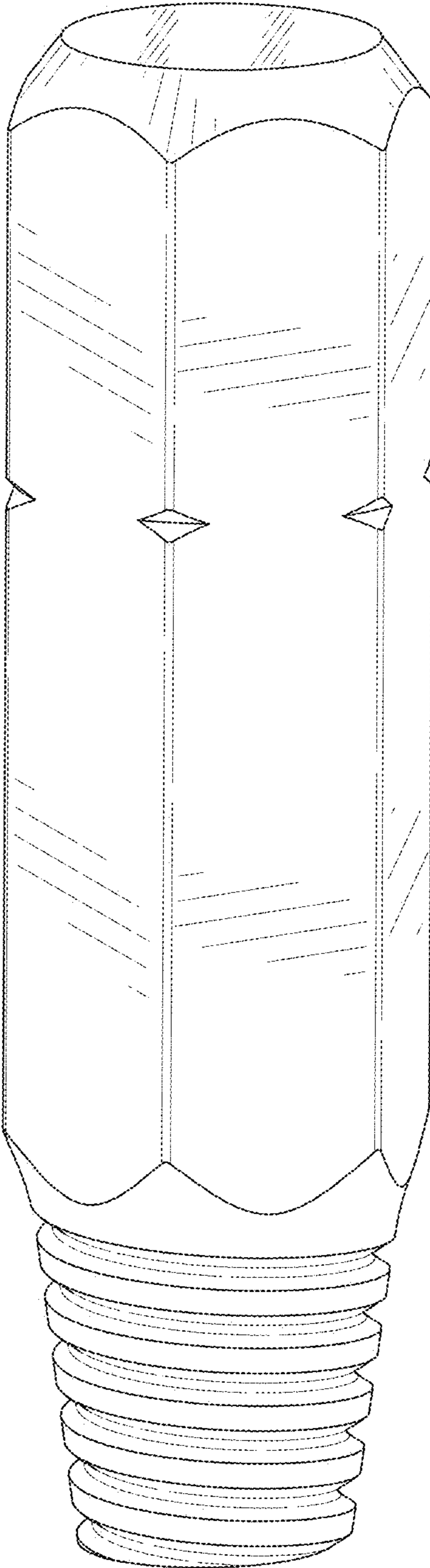


FIG. 1

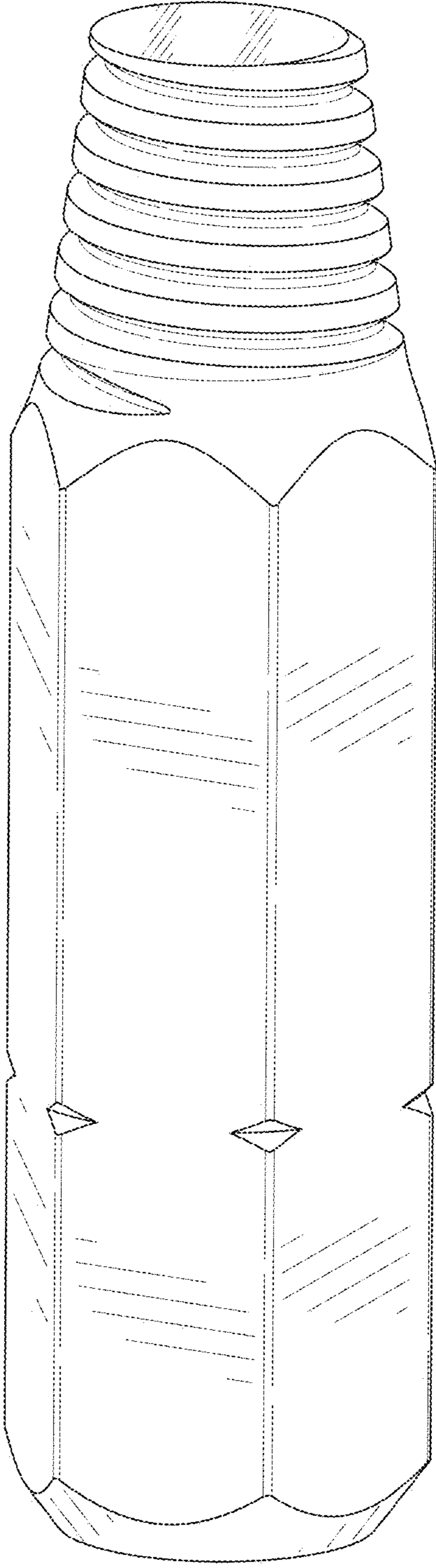


FIG. 2

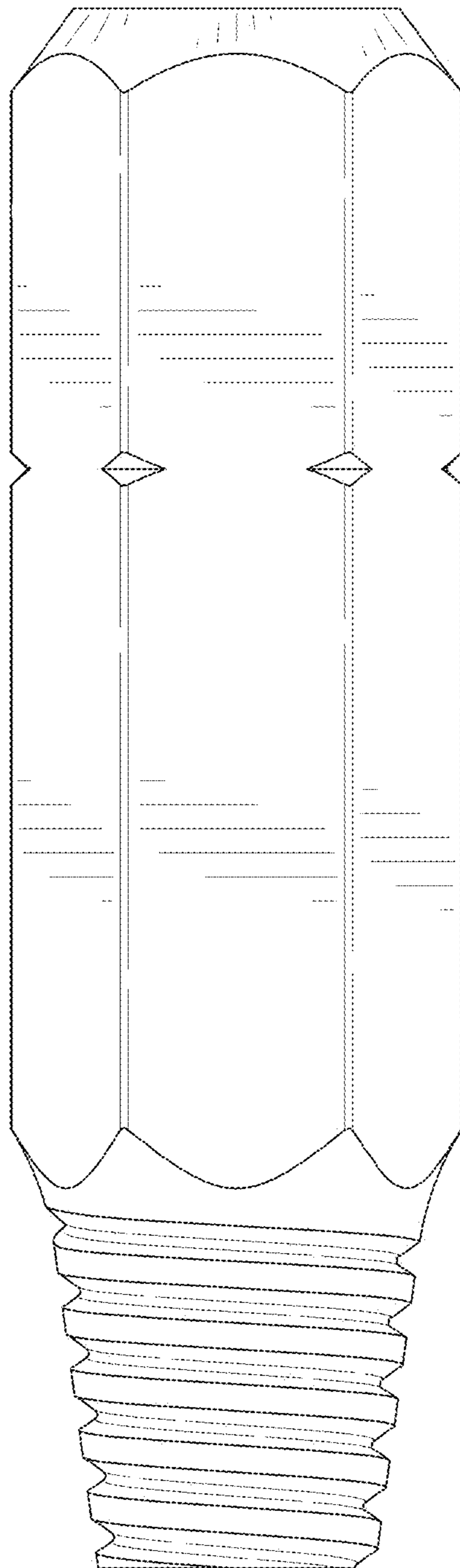


FIG. 3

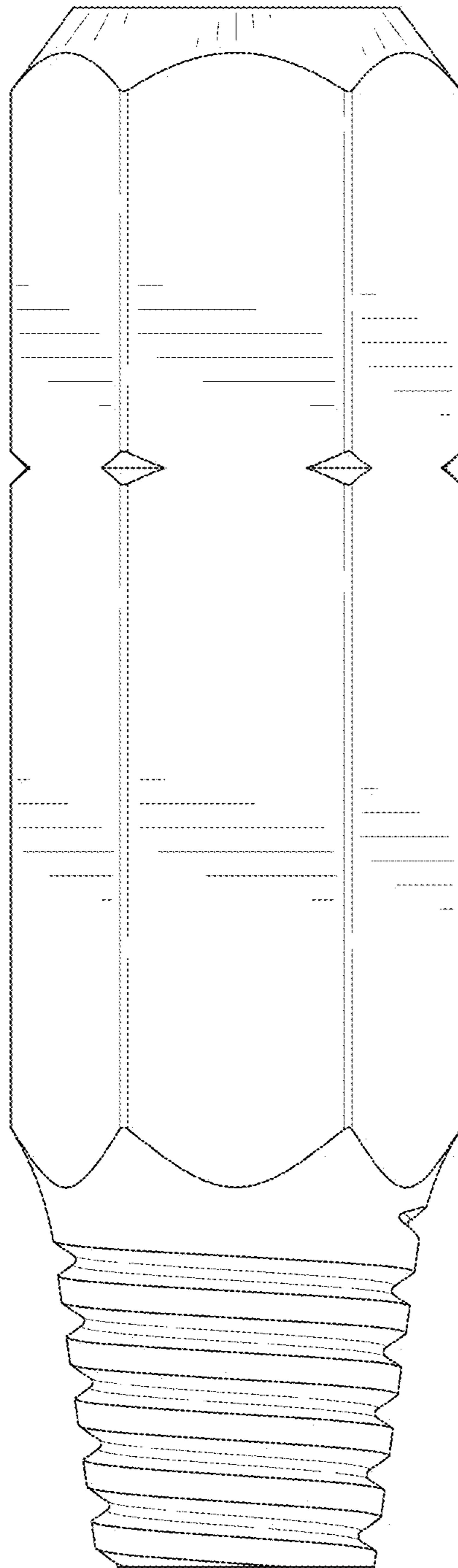


FIG. 4

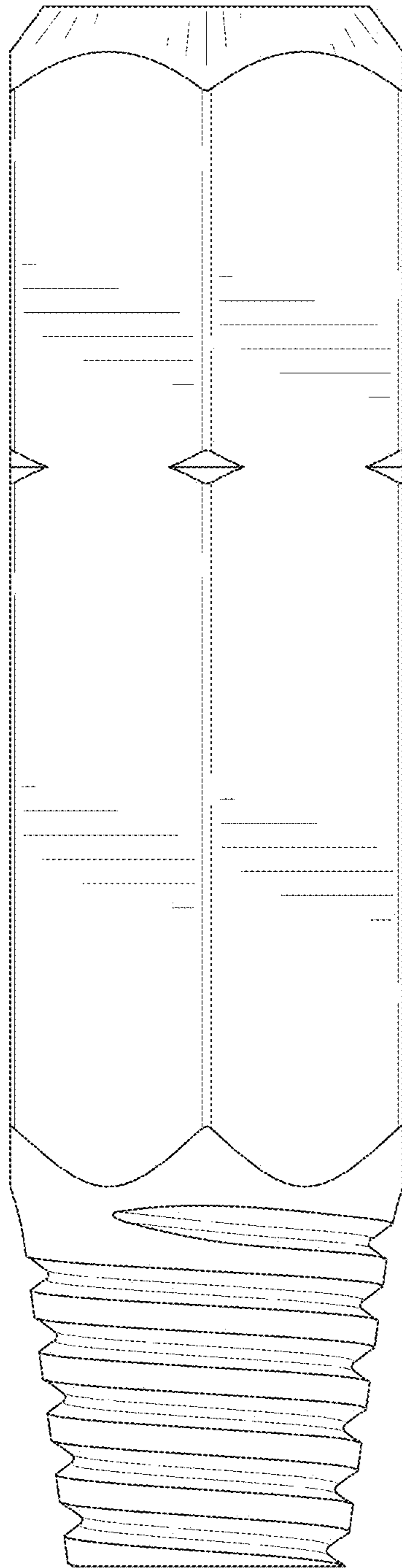


FIG. 5

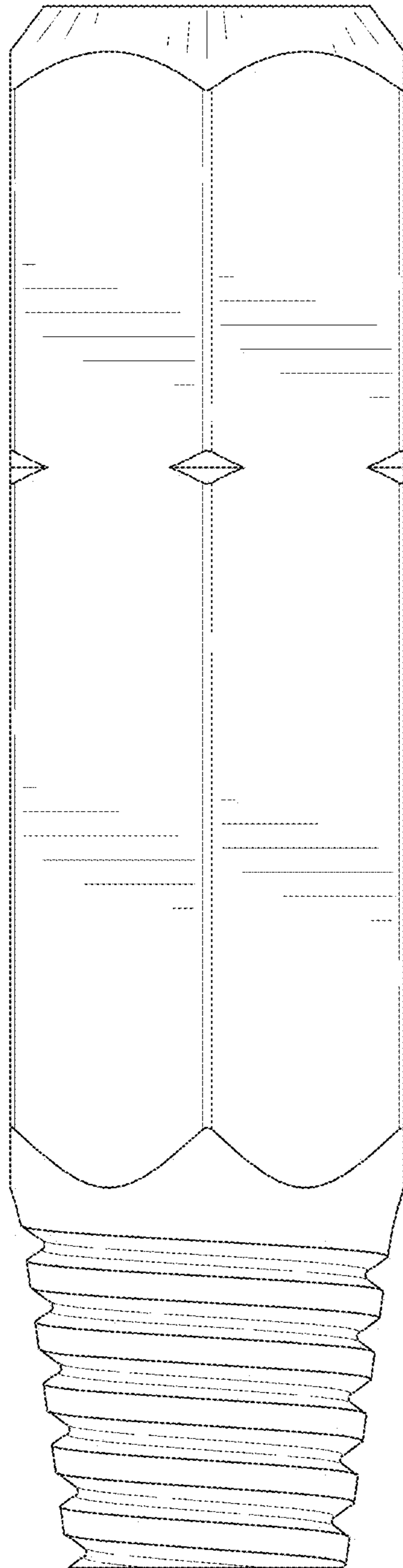


FIG. 6

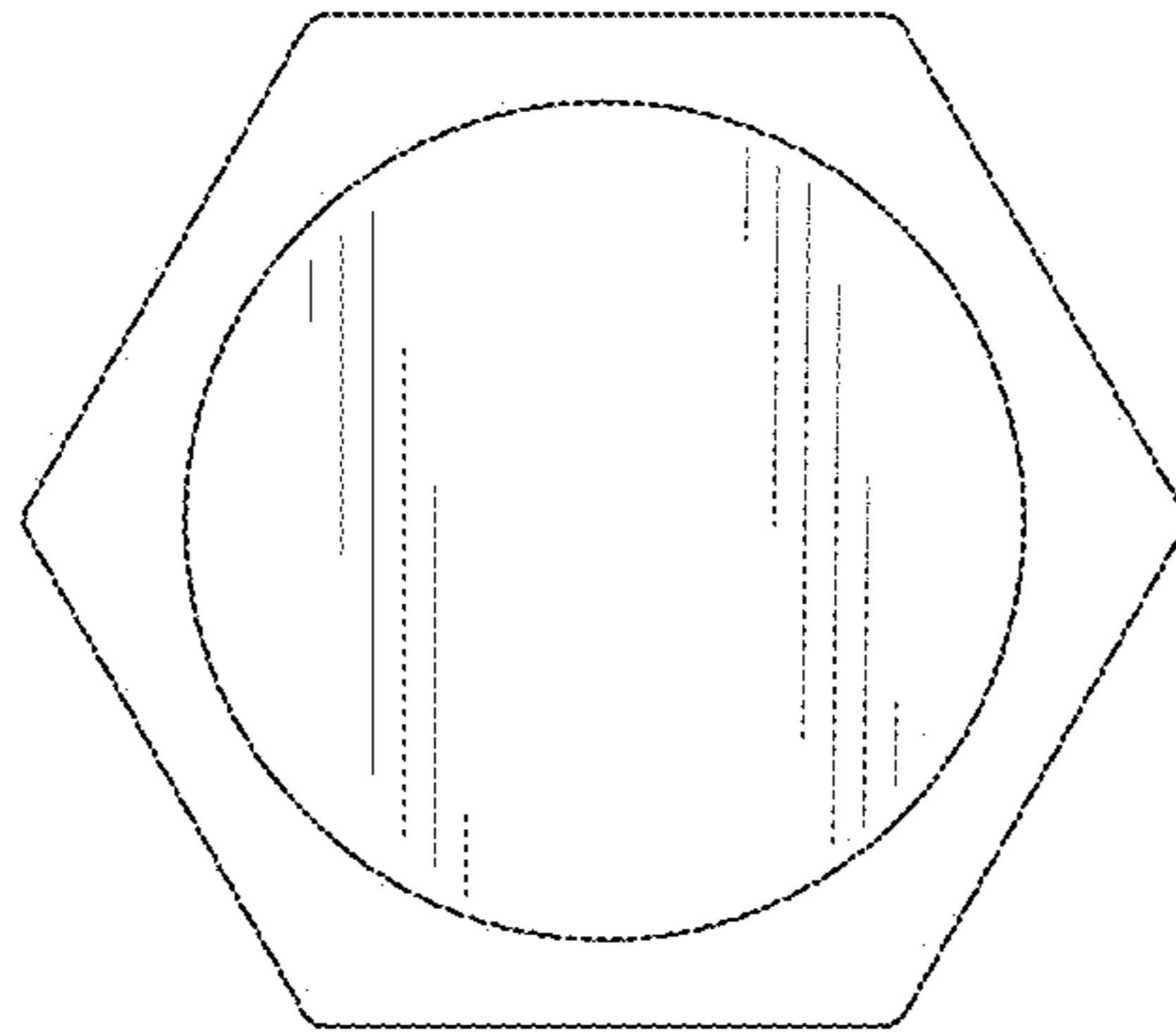


FIG. 7



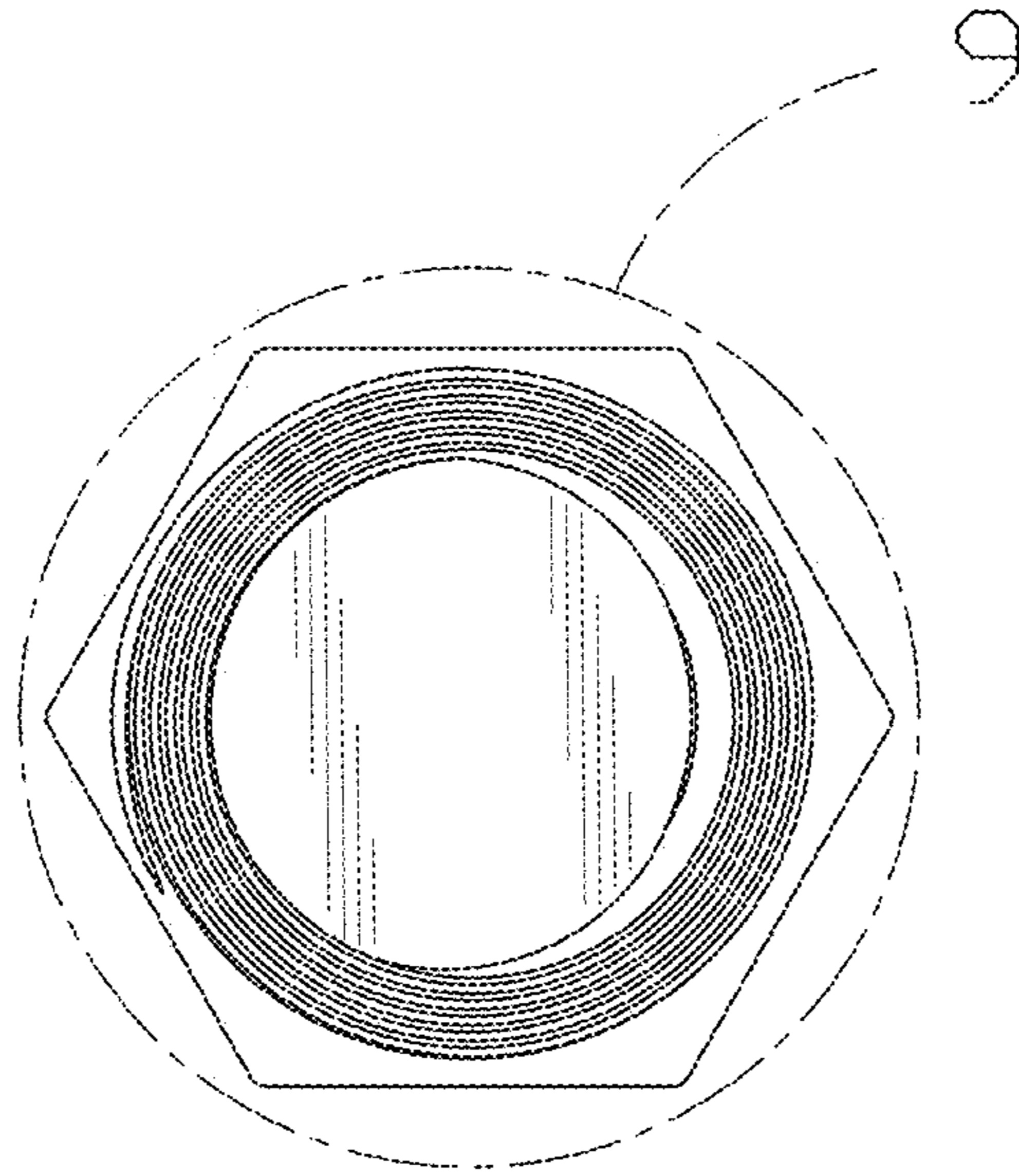


FIG. 8

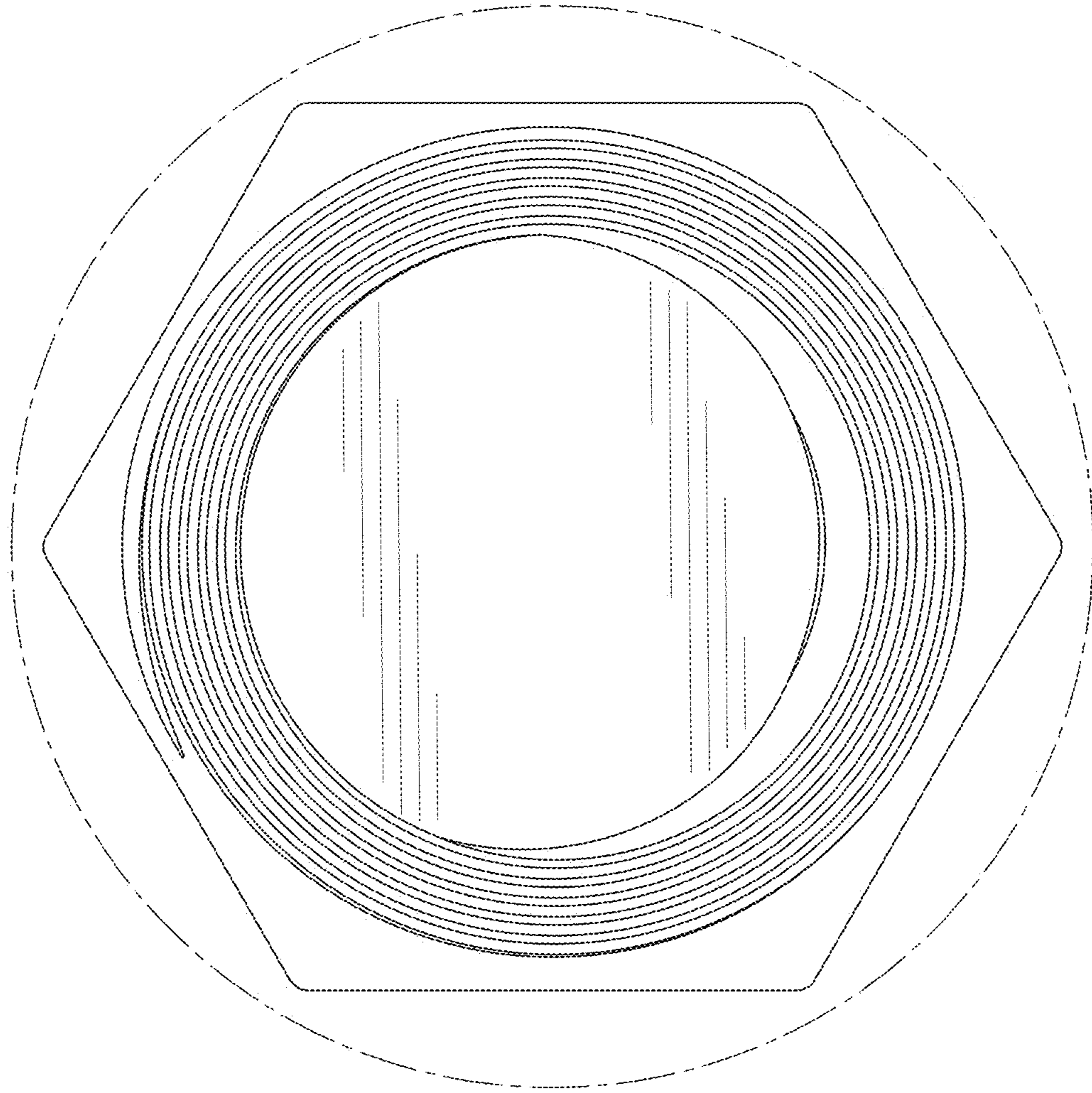


FIG. 9