



US00D935297S

(12) **United States Design Patent** (10) **Patent No.:** **US D935,297 S**
Berrouard et al. (45) **Date of Patent:** **** Nov. 9, 2021**

- (54) **TOOL HANDLE WITH A GRIP**
- (71) Applicant: **GARANT GP**,
Saint-François-de-la-Rivière-du-Sud
(CA)
- (72) Inventors: **Mathieu Berrouard**, Levis (CA);
Samuel Barker, Montreal (CA); **Eric
LaPointe**, Montreal (CA); **Luc
Blanchette**, Montreal (CA)
- (73) Assignee: **GARANT GP**
- (**) Term: **15 Years**
- (21) Appl. No.: **29/733,972**
- (22) Filed: **May 7, 2020**
- (51) **LOC (13) Cl.** **08-02**
- (52) **U.S. Cl.**
USPC **D8/80**
- (58) **Field of Classification Search**
USPC D8/75, 76, 77, 78, 79, 80, 81, 107
CPC ... B25D 1/00; B25D 1/02; B25D 1/04; B25D
1/045; B25D 1/06; B25D 1/10; B25D
1/12; B25G 1/102
See application file for complete search history.

D826,024 S *	8/2018	Yu	D8/75
D868,558 S *	12/2019	Hyma	D8/75
D876,198 S *	2/2020	Chen	D8/80
D897,805 S *	10/2020	Cate	D8/80

OTHER PUBLICATIONS

- (Jun. 15, 2018) Husky 10 lb. Sledge Hammer with 34 in. Fiberglass Handle (Home Depot USA); <https://www.homedepot.com/p/Husky-10-lb-Sledge-Hammer-with-34-in-Fiberglass-Handle-HD-SF10LB/206768945>.
- (Oct. 26, 2018) Dewalt Exo-Core Sledge Hammer Item # DWHT56028 (Mississauga Hardware); <https://www.mississaugahardware.com/product/exo-core-sledge-hammer?gfid=p21216-o2006>.
- (May 23, 2019) Fiskars 10 lb. Sledge Hammer (Canadian Tire); <https://www.canadiantire.ca/en/pdp/fiskars-sledge-hammer-0574046p.html>.
- (May 23, 2019) MAXIMUM Sledge Hammer (Canadian Tire); <https://www.canadiantire.ca/en/pdp/maximum-sledge-hammer-0574038p.html>.
- (Oct. 28, 2019) Dewalt 4.5 lb. Single Bit Axe with 33.7 in. Fiberglass Handle (Home Depot USA); <https://www.homedepot.com/p/DEWALT-4-5-lb-Single-Bit-Axe-with-33-7-in-Fiberglass-Handle-DWHT56033/304384187>.

(Continued)

Primary Examiner — Philip S Hyder
(74) *Attorney, Agent, or Firm* — Lavery, De Billy, LLP;
Gwendoline Bruneau

(57) **CLAIM**

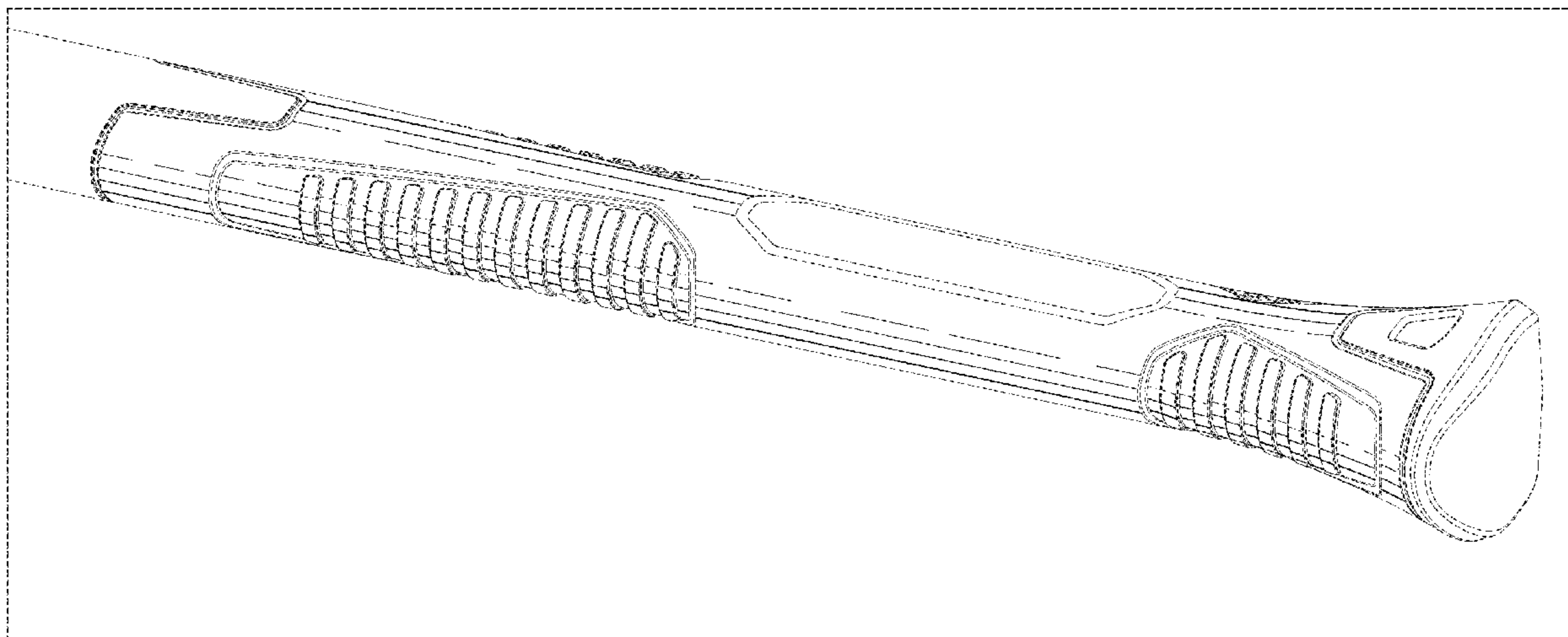
The ornamental design for a tool handle with a grip, as shown and described.

DESCRIPTION

FIG. 1 is perspective view of the tool handle;
FIG. 2 is an enlarged view of FIG. 1;
FIG. 3 is a top view of the tool handle; and,
FIG. 4 is a side view of the tool handle.
The broken line portions of the tool handle, and the broken line showings of the tool head, form no part of the claimed design.

1 Claim, 4 Drawing Sheets

- (56) **References Cited**
U.S. PATENT DOCUMENTS
- | | | | | |
|----------------|---------|-------------|-------|-----------|
| D350,269 S * | 9/1994 | Majors | | D8/77 |
| D356,481 S * | 3/1995 | Majors | | D8/80 |
| D424,903 S * | 5/2000 | Hreha | | D8/107 |
| D463,725 S * | 10/2002 | Wroblewski | | D8/77 |
| D533,759 S * | 12/2006 | Hopper, Jr. | | D8/77 |
| D538,626 S * | 3/2007 | Hsieh-Yeh | | D8/107 |
| D603,676 S * | 11/2009 | Higgs | | D8/75 |
| D656,378 S * | 3/2012 | Islas | | D8/80 |
| D681,415 S * | 5/2013 | Boies | | D8/80 |
| 9,193,059 B2 * | 11/2015 | Lombardi | | B25D 1/04 |
| D779,907 S * | 2/2017 | Nelson | | D8/80 |
| D781,679 S * | 3/2017 | Chen | | D8/80 |



(56)

References Cited

OTHER PUBLICATIONS

(Oct. 28, 2019) Hart 3.5 lb. StrikeZone Premium Axe with Fiberglass Handle (Home Depot USA); <https://www.homedepot.com/p/HART-3-5-lb-StrikeZone-Premium-Axe-with-Fiberglass-Handle-HHA35LB/204280994>.

(Oct. 28, 2019) Hart 8 lb. Powerstrike Sledge with Fiberglass Handle (Home Depot USA); <https://www.homedepot.com/p/HART-8-lb-PowerStrike-Sledge-with-Fiberglass-Handle-HS8FS/204281039>.

(Oct. 28, 2019) Kobalt 10-lb Steel Head Fiberglass Sledge Hammer (Lowe's USA); <https://www.lowes.com/pd/Kobalt-10-lb-Steel-Head-Fiberglass-Sledge-Hammer/1000377467>.

(Oct. 28, 2019) Stanley FatMax FMHT56011 Sledge Hammer, 30 in OAL, 8 lb Steel Head, Fiberglass Handle (Source Atlantic); <https://www.sourceatlantic.ca/Product/FMHT56011>.

(Mar. 2, 2020) Garant CAN22528FG Canadian Axe With Fiberglass Handle, 2.25 lb Head, 28 in OAL, Fiberglass Handle (Source Atlantic); <https://www.sourceatlantic.ca/Product/CAN22528FG>.

(Mar. 2, 2020) Garant DF0634FG Sledge Hammer, 36 in OAL, 6 lb Tempered Steel Head, Fiberglass Handle (Source Atlantic); <https://www.sourceatlantic.ca/Product/DF0634FG>.

(Mar. 2, 2020) Garant DF0834FG Sledge Hammer, 36 in OAL, 8 lb Tempered Steel Head, Fiberglass Handle (Source Atlantic); <https://www.sourceatlantic.ca/Product/DF0834FG>.

(Mar. 2, 2020) True Temper Toughstrike 3.5 lb. Single Bit Fiberglass Michigan Axe (True Temper website) <https://www.true-temper.com/tool/lawn-garden-tools/20180900-toughstrike-3-5-lb-single-bit-fiberglass-michigan-axe/>.

(Mar. 2, 2020) True Temper Toughstrike 8 lb. Fiberglass Sledge Hammer #20180900 (True Temper website); <https://www.true-temper.com/tool/lawn-garden-tools/20184900-toughstrike-8-lb-fiberglass-sledge-hammer/>.

(Mar. 2, 2020) Yardworks Fiberglass Splitter (Canadian Tire); <https://www.canadiantire.ca/en/pdp/yardworks-fibreglass-splitter-0575146p.html#srp>.

* cited by examiner

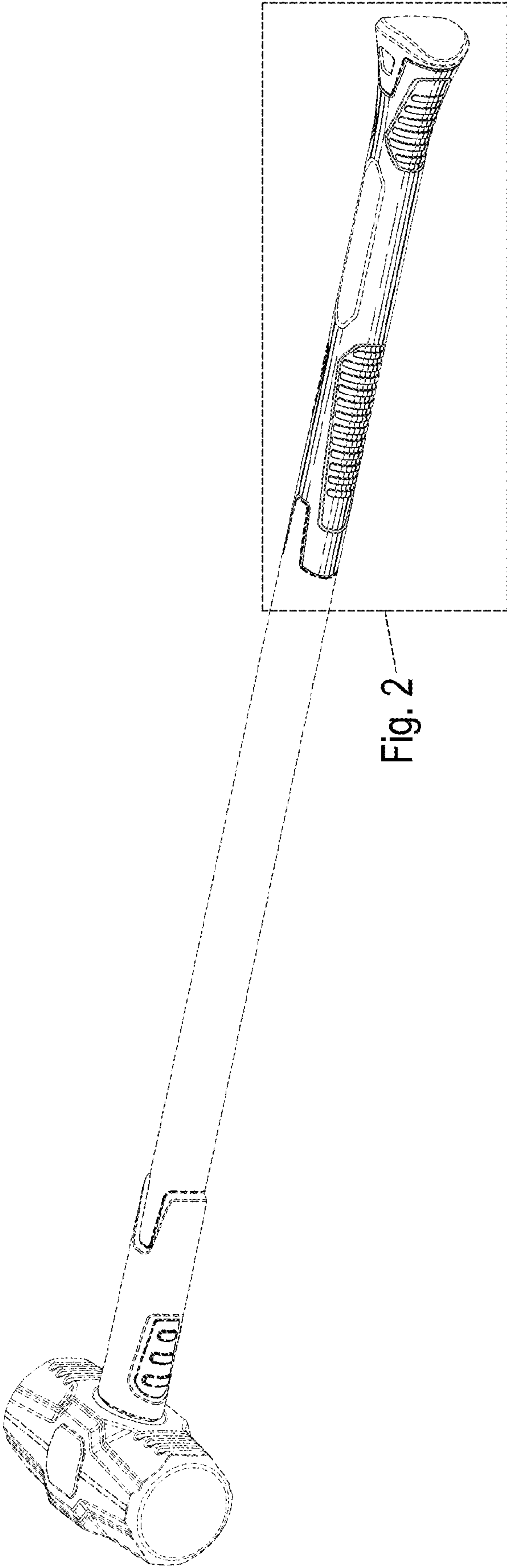


Fig. 2

FIG. 1

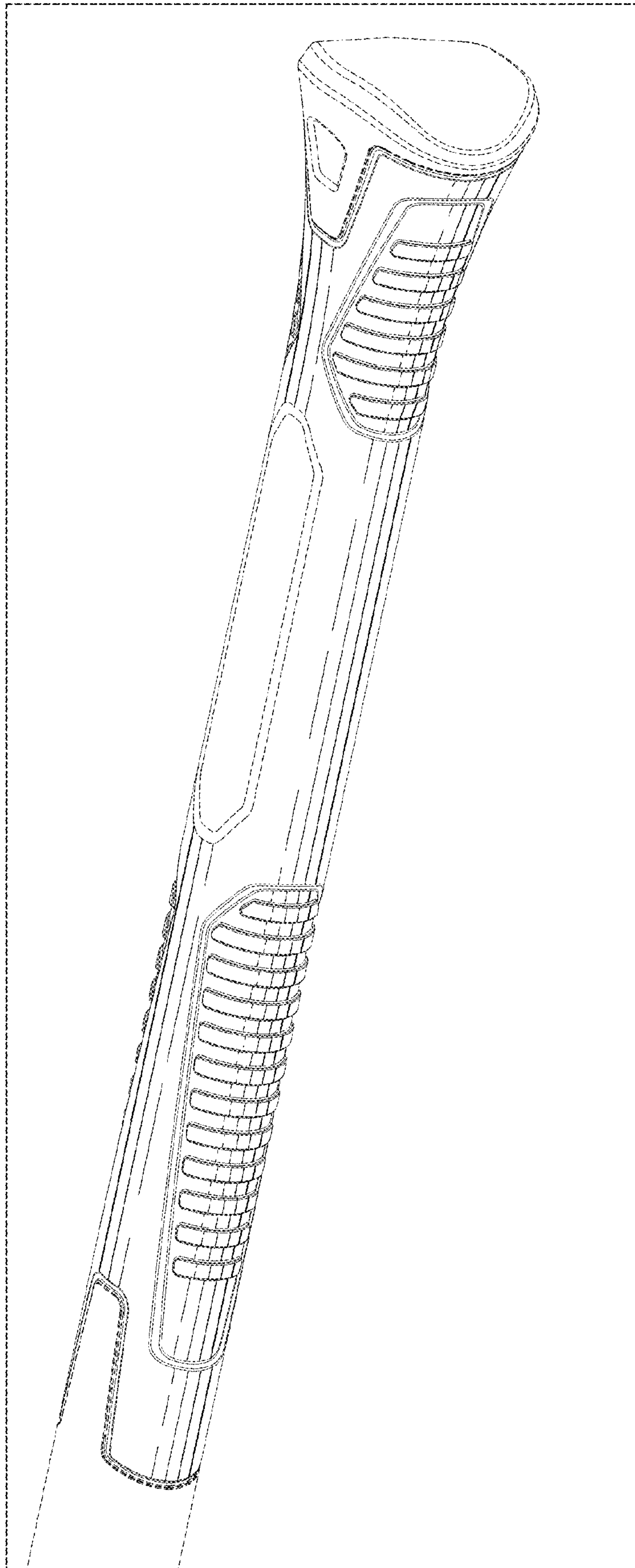


FIG. 2

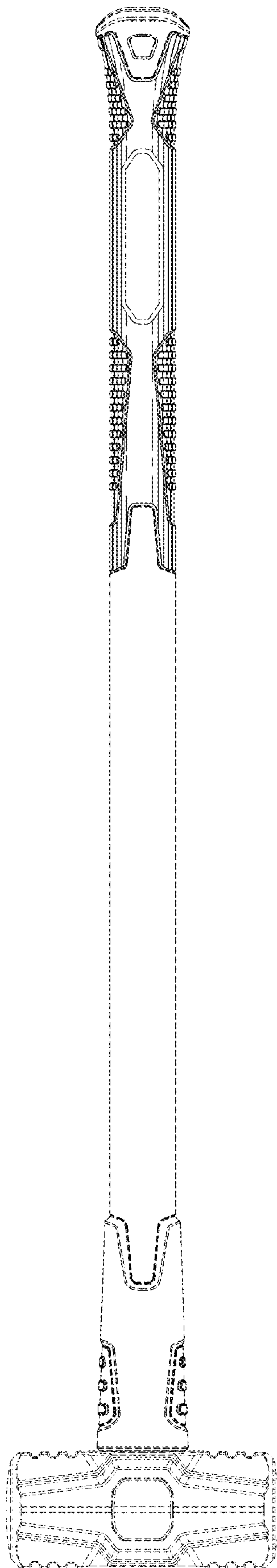


FIG. 3

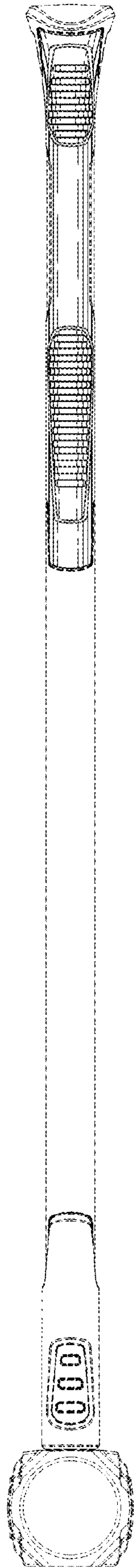


FIG. 4