



US00D935295S

(12) **United States Design Patent** (10) **Patent No.:** **US D935,295 S**
Bacon et al. (45) **Date of Patent:** **** Nov. 9, 2021**

(54) **CHAIN BREAK TOOL** 7,669,860 B2 * 3/2010 Chiang B25B 21/007
279/143
(71) Applicant: **WOLF TOOTH COMPONENTS, LLC**, Burnsville, MN (US) 8,141,455 B2 3/2012 Ogburn
D659,730 S * 5/2012 Cantlon D15/140
D673,193 S * 12/2012 Dickrede D15/139
D679,811 S * 4/2013 Hahn D24/147
(72) Inventors: **Anthony C. Bacon**, Minneapolis, MN (US); **Jonathan E. Rosemeier**, Prior Lake, MN (US); **Michael W. Pfeiffer**, Eden Prairie, MN (US) D694,406 S * 11/2013 Hahn D24/147
9,463,559 B1 * 10/2016 Chan B25G 1/043
(Continued)

(73) Assignee: **Wolf Tooth Components, LLC**, Burnsville, MN (US)

(**) Term: **15 Years**

(21) Appl. No.: **29/718,636**

(22) Filed: **Dec. 26, 2019**

(51) **LOC (13) Cl.** **08-05**

(52) **U.S. Cl.**
USPC **D8/70; D8/86**

(58) **Field of Classification Search**
USPC D8/70, 82, 85-87, 105; D15/139
CPC B25B 13/06; B25B 13/5091; B25B 15/00;
B25B 15/001; B25B 15/002; B25B 15/004;
B25B 15/005; B25B 15/008; B25B 15/02;
B25B 15/04; B25B 17/00; B25B 21/007;
B25B 23/00; B25B 23/0035; B25B 23/005;
B25B 23/12; B25B 23/1405; B25B 27/18; B25B 31/12;
B25B 51/08; B25B 51/108; B25B 2251/66; B23P 15/00

See application file for complete search history.

(56) **References Cited**

U.S. PATENT DOCUMENTS

D340,172 S 10/1993 Her
D376,084 S * 12/1996 Karvinen D8/70
5,615,587 A * 4/1997 Foerster, Jr. B25B 13/06
81/124.2
D601,799 S 10/2009 Andre et al.

OTHER PUBLICATIONS

All in Multitool, retrieved Feb. 28, 2020, 4 pages, <<https://www.allinmultitool.co.uk/products/all-in-multitool>>.

(Continued)

Primary Examiner — Darlington Ly

(74) *Attorney, Agent, or Firm* — Dicke, Billig & Czaja, PLLC

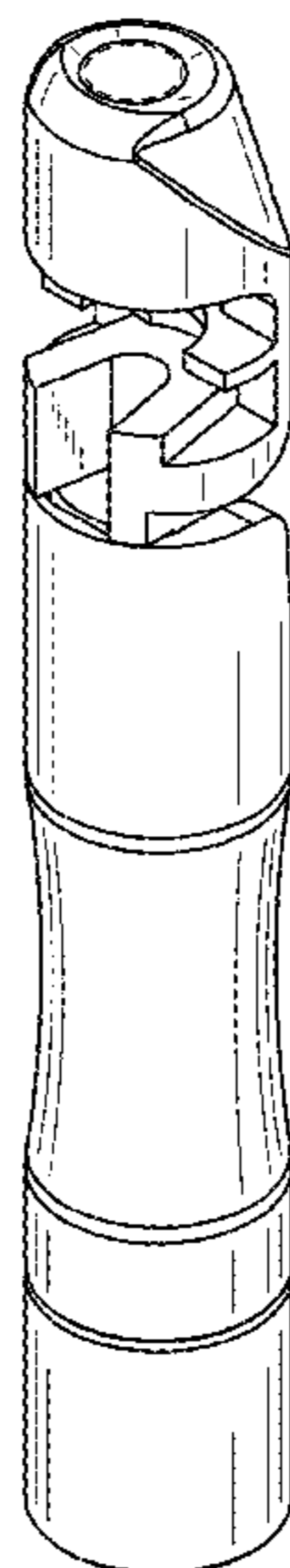
(57) **CLAIM**

The ornamental design for a chain break tool, substantially as shown and described.

DESCRIPTION

FIG. 1 is a top, front, and right side perspective view of a chain break tool embodying our new design; FIG. 2 is a top, rear, and right side perspective view thereof; FIG. 3 is a front elevation view thereof; FIG. 4 is a rear elevation view thereof; FIG. 5 is a left side elevation view thereof; FIG. 6 is a right side elevation view thereof; FIG. 7 is a top plan view thereof; FIG. 8 is a bottom plan view thereof; FIG. 9 is a top, rear, and right side perspective view thereof, in which the head is configured in an alternate position; and, FIG. 10 is a right side elevation view thereof, in which the head is configured in an alternate position. The broken lines in the drawings illustrate portions of the chain break tool as shown and described.

1 Claim, 6 Drawing Sheets



(56)

References Cited

U.S. PATENT DOCUMENTS

D828,740 S	9/2018	Levand et al.	
D886,564 S *	6/2020	Dittmer	D8/105
D886,565 S *	6/2020	Hinkens	D8/105
D922,166 S *	6/2021	Sawa	D8/70
2003/0140744 A1 *	7/2003	Chen	B25B 23/0035 81/438
2015/0102567 A1 *	4/2015	Chan	B25B 23/0035 279/75
2019/0275651 A1 *	9/2019	Dittmer	B25B 27/22

OTHER PUBLICATIONS

All in Multitool V2—Black—With Chain Tool, retrieved Feb. 28, 2020, 4 pages, <<https://www.allinmultitool.co.uk/products/all-in-multitool-v2-black>>.

Barintool, retrieved Feb. 28, 2020, 11 pages, <<https://www.barintool.com/product-page/small-package?lang=en>>.

Mineral Design—Barstow System, retrieved Feb. 28, 2020, 7 pages, <<http://www.mineralbikes.com/shop/barstow-system>>.

Bikepacking.com, Bit Driver Multi-Tools for Bikepacking and Bike Touring, The Low Down Gear Guide, retrieved Feb. 28, 2020, 13 pages, <<https://bikepacking.com/gear/bit-driver-multi-tools/>>.

Lezyne—T-Drive Bike Multi Tool Kit, retrieved Feb. 28, 2020, 8 pages, <<https://ride.lezyne.com/collections/multi-tools/products/t-drive>>.

Road.cc, 12 of the Best Multi Tools—Get the Right Bits to Fix your Bikes Bits, retrieved Feb. 28, 2020, 9 pages, <<https://road.cc/content/buyers-guide/215058-12-best-multi-tools-get-right-bits-fix-your-bikes-bits>>.

Granite Design—Stash Chain Tool, retrieved Feb. 28, 2020, 4 pages, <<https://www.granite-design.com/stashchaintool>>.

Granite Design—Stash Multi-Tool, retrieved Feb. 28, 2020, 4 pages, <<https://www.granite-design.com/stashmultitool>>.

Granite Design—Stash Tire Plug Kit, retrieved Feb. 28, 2020, 4 pages, <<https://www.granite-design.com/stashtireplug>>.

Topeak—Ninja C, retrieved Feb. 28, 2020, 5 pages, <<https://www.topeak.com/global/en/products/ninja-series/102-ninja-c>>.

* cited by examiner

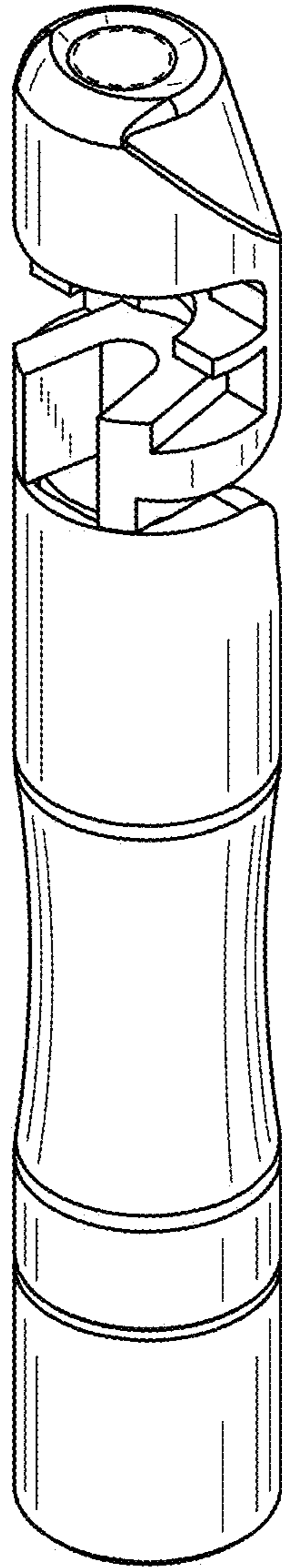


FIG. 1

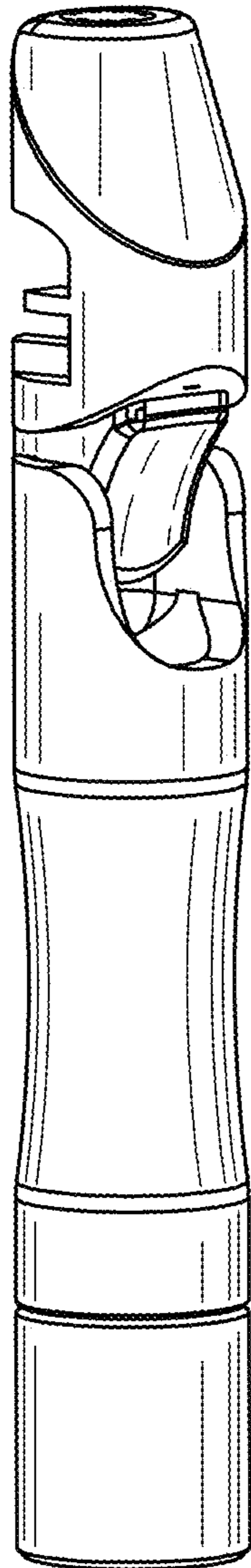


FIG. 2

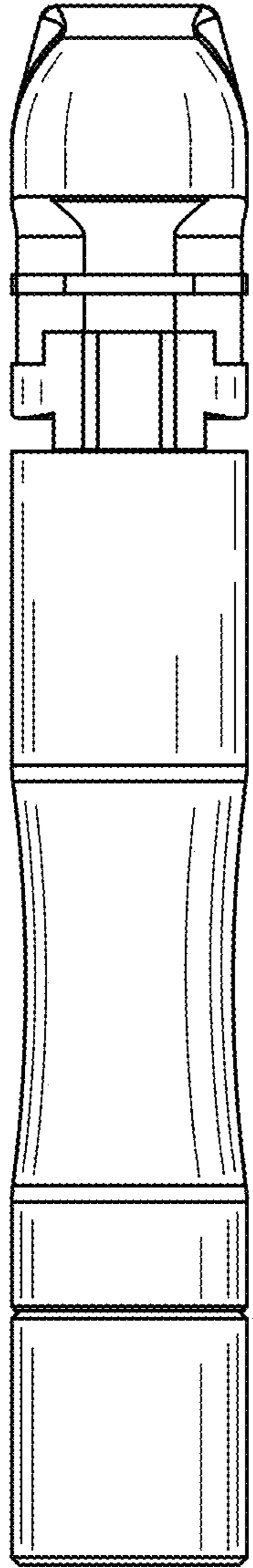


FIG. 3

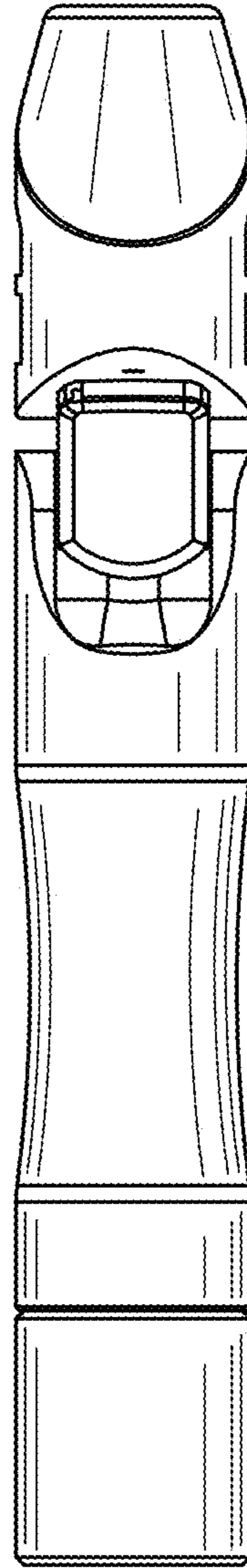


FIG. 4

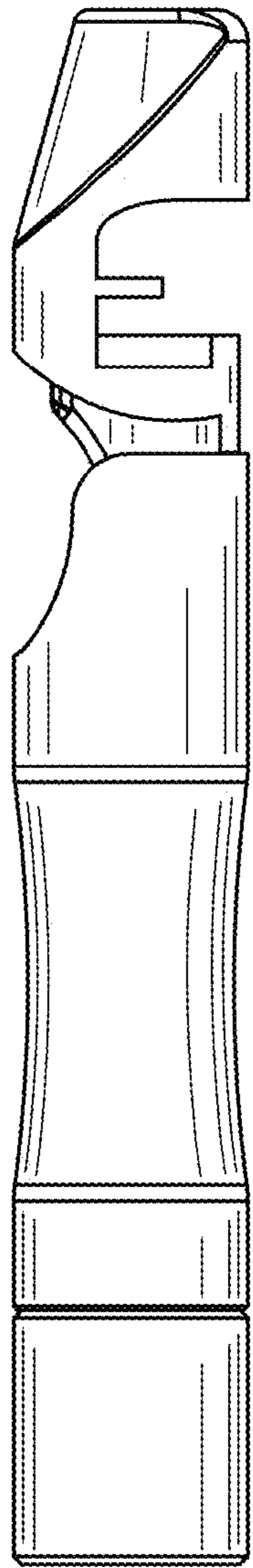


FIG. 5

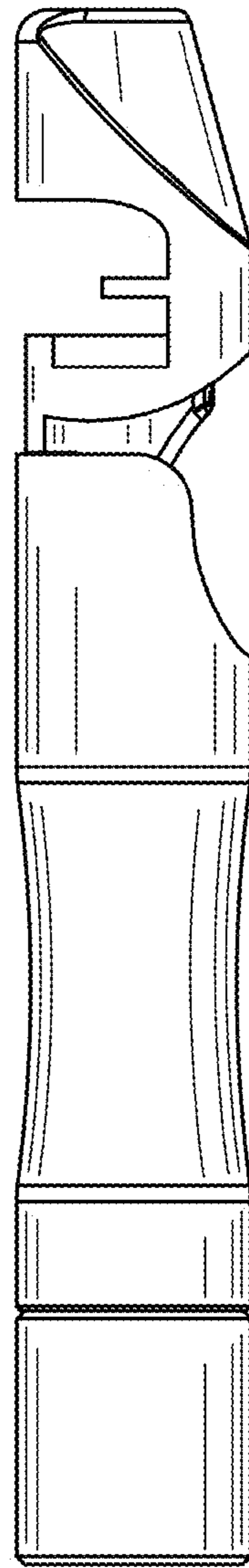


FIG. 6

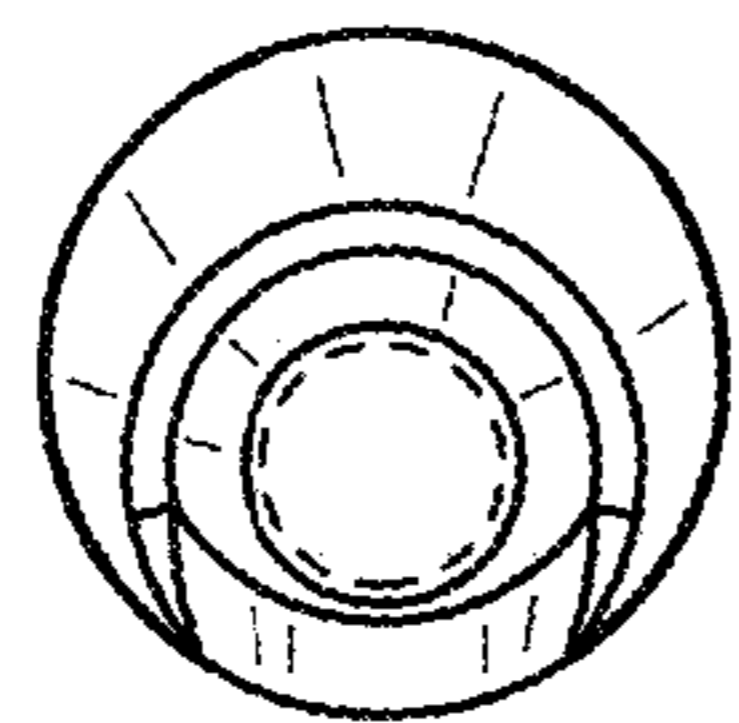


FIG. 7

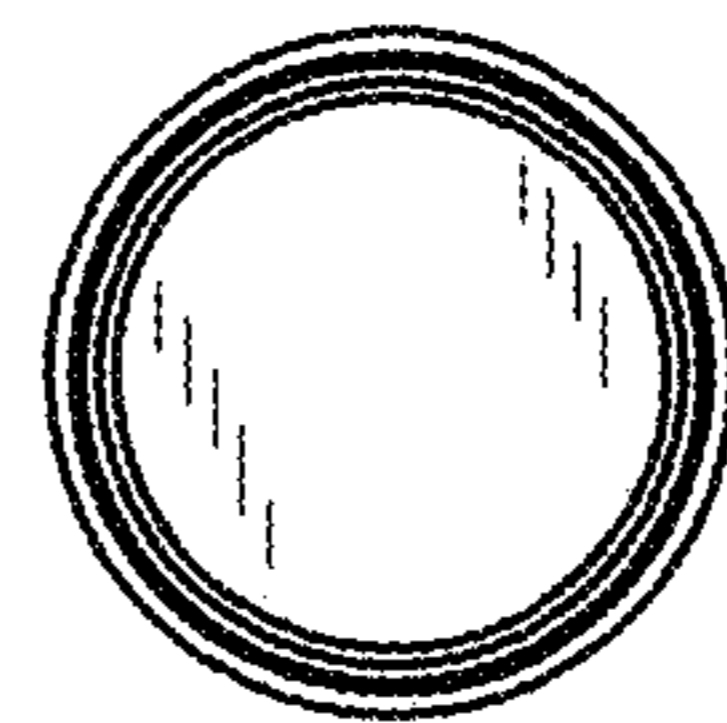


FIG. 8

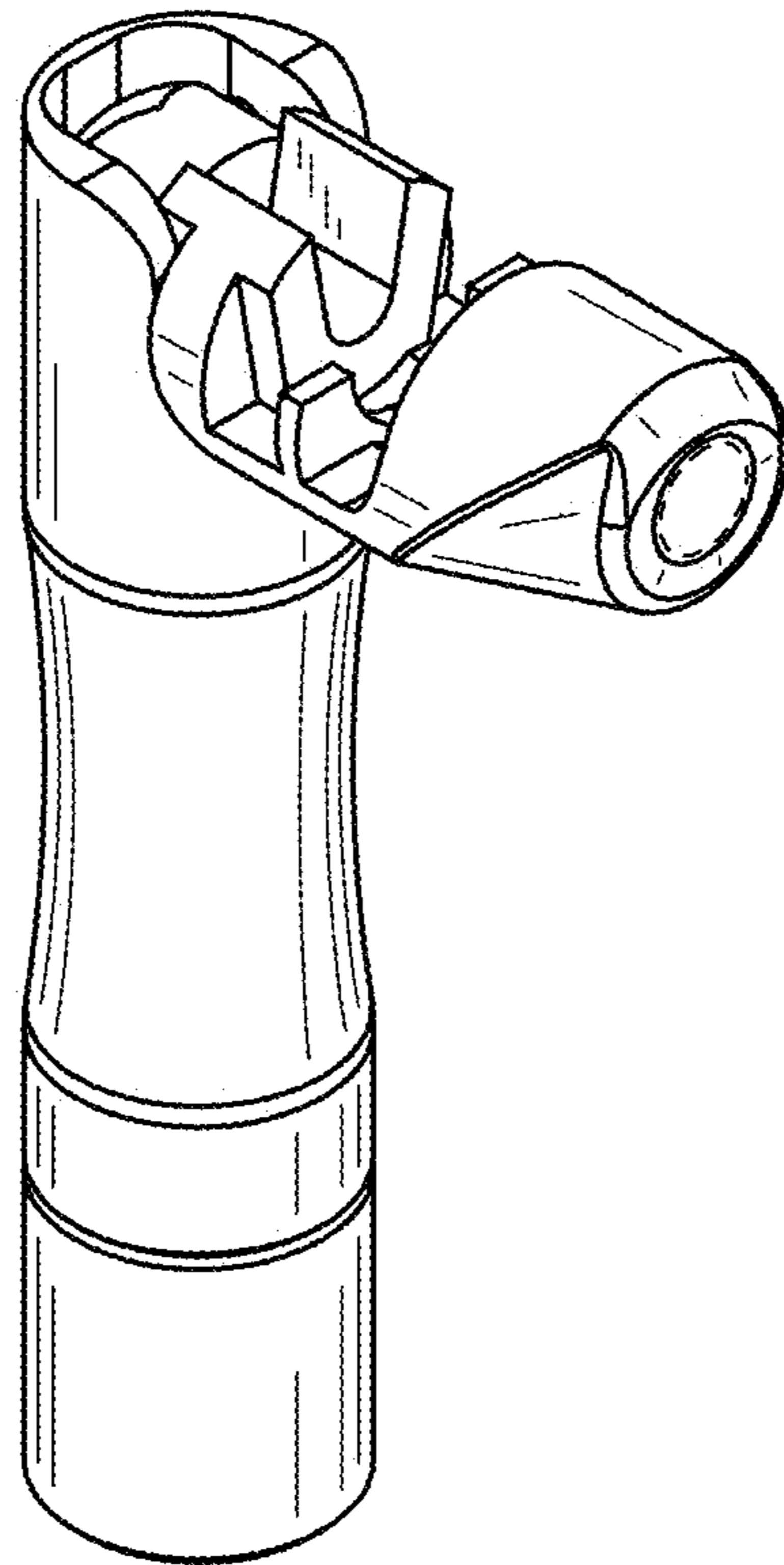


FIG. 9

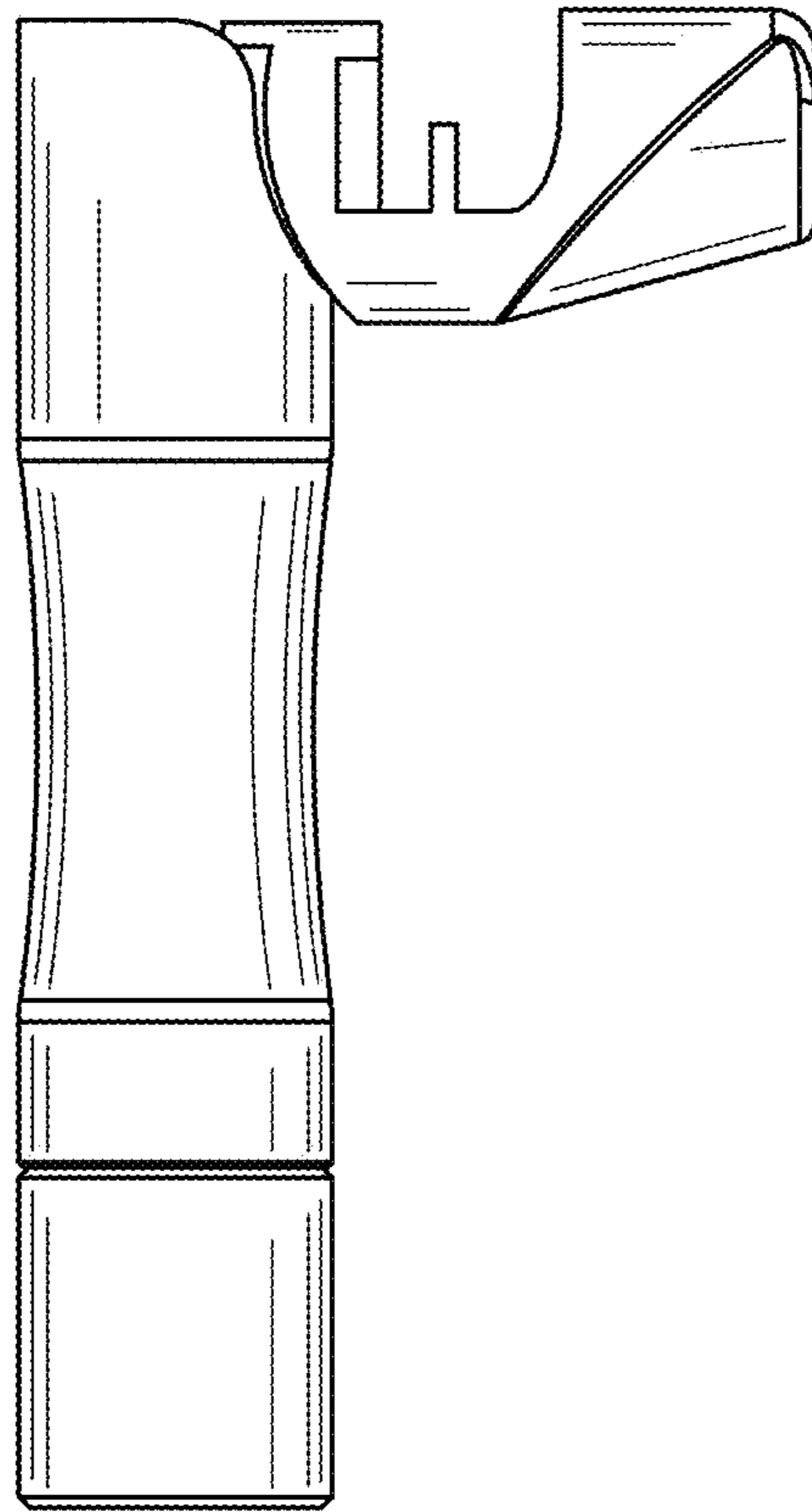


FIG. 10