



US00D935294S

(12) **United States Design Patent** (10) **Patent No.:** **US D935,294 S**
Zhao (45) **Date of Patent:** **** Nov. 9, 2021**

(54) **ELECTRIC WRENCH**
(71) Applicant: **Wei Zhao**, Hangzhou (CN)
(72) Inventor: **Wei Zhao**, Hangzhou (CN)
(**) Term: **15 Years**
(21) Appl. No.: **29/716,921**

D537,690 S * 3/2007 Su D8/68
D540,641 S * 4/2007 Clay D8/68
7,673,702 B2 * 3/2010 Johnson B25B 21/00
173/93
D664,413 S * 7/2012 Steinfels D8/68
D716,125 S * 10/2014 Yaschur D8/68
D775,919 S * 1/2017 Lee D8/68
D899,208 S * 10/2020 Thompson D8/68

(Continued)

(22) Filed: **Dec. 12, 2019**
(51) **LOC (13) Cl.** **08-05**
(52) **U.S. Cl.**
USPC **D8/68**
(58) **Field of Classification Search**
USPC D8/61, 67, 68
CPC B62D 23/005; B62D 29/00; B62D 29/043;
B62D 31/00; B62D 33/046; B62D 35/00;
B62D 35/001; B60Q 1/0005
See application file for complete search history.

OTHER PUBLICATIONS

Bradley Ford. "The 10 Best Cordless Impact Wrenches." Popular Mechanics., Mar. 19, 2020 [online], [retrieved on May 21, 2021]. Retrieved from the Internet <URL: <https://www.popularmechanics.com/home/tools/reviews/g2028/the-best-impact-wrenches/>>.*

(Continued)

Primary Examiner — Darlington Ly
(74) *Attorney, Agent, or Firm* — W&K IP

(56) **References Cited**

U.S. PATENT DOCUMENTS

5,083,619 A * 1/1992 Giardino B25B 21/02
173/104
D339,726 S * 9/1993 Bruno D8/68
D388,678 S * 1/1998 Bantly D8/68
D393,580 S * 4/1998 Bantly D8/68
D434,297 S * 11/2000 Iritani D8/68
D434,958 S * 12/2000 Izumisawa D8/68
D436,818 S * 1/2001 Izumisawa D8/68
D461,110 S * 8/2002 Izumisawa D8/68
D469,673 S * 2/2003 Sliker D8/68
D476,210 S * 6/2003 Chen D8/68
D496,243 S * 9/2004 Huang D8/68
D497,529 S * 10/2004 Price D8/68
D497,787 S * 11/2004 Liao D8/68
6,883,619 B1 * 4/2005 Huang B25B 21/02
173/168
D507,732 S * 7/2005 Nowak D8/68
D508,836 S * 8/2005 Schiller D8/68
D513,690 S * 1/2006 Etter D8/68

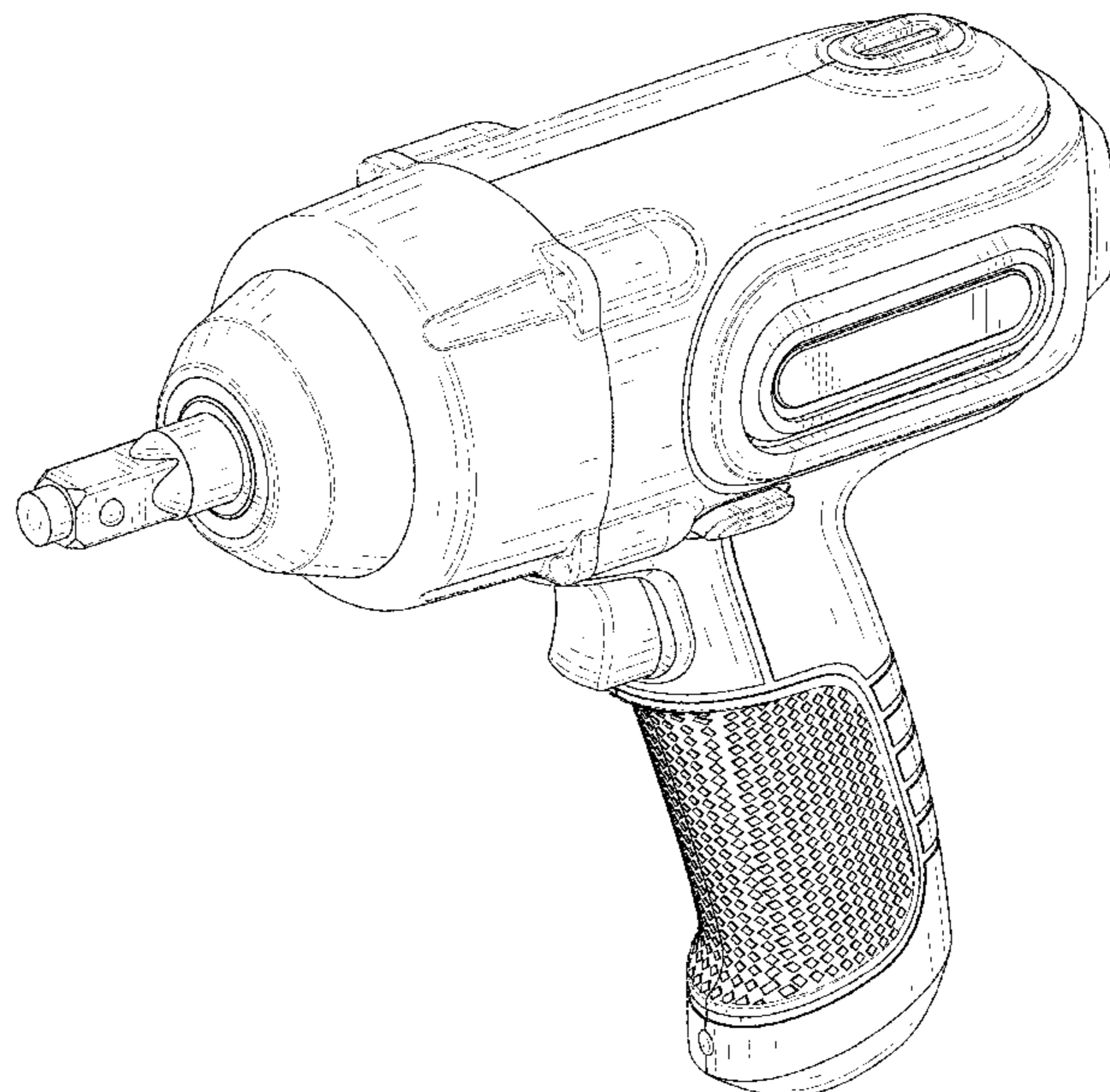
(57) **CLAIM**

The ornamental design for an electric wrench, as shown and described.

DESCRIPTION

FIG. 1 is a front and top perspective view of an electric wrench, showing my new design;
FIG. 2 is a rear and bottom perspective view thereof;
FIG. 3 is a front elevational view thereof;
FIG. 4 is a rear elevational view thereof;
FIG. 5 is a left side elevational view thereof;
FIG. 6 is a right side elevational view thereof;
FIG. 7 is a top plan view thereof;
FIG. 8 is a bottom plan view thereof; and,
FIG. 9 is an enlarged, view of a portion indicated in FIG. 5. The broken lines in the figures illustrate portions of the electric wrench that form no part of the claimed design.

1 Claim, 9 Drawing Sheets



(56)

References Cited

U.S. PATENT DOCUMENTS

D899,210 S * 10/2020 Thompson D8/68
D906,076 S * 12/2020 James D8/68

OTHER PUBLICATIONS

Jameson. "The Best Cordless Impact Wrench Reviews & Buyer's Guide." Cordless Drill Zone., Feb. 14, 2020 [online], [retrieved on May 21, 2021]. Retrieved from the Internet <URL: <https://cordlessdrillzone.com/best-cordless-impact-wrench/>>.*

* cited by examiner



FIG. 1



FIG. 2

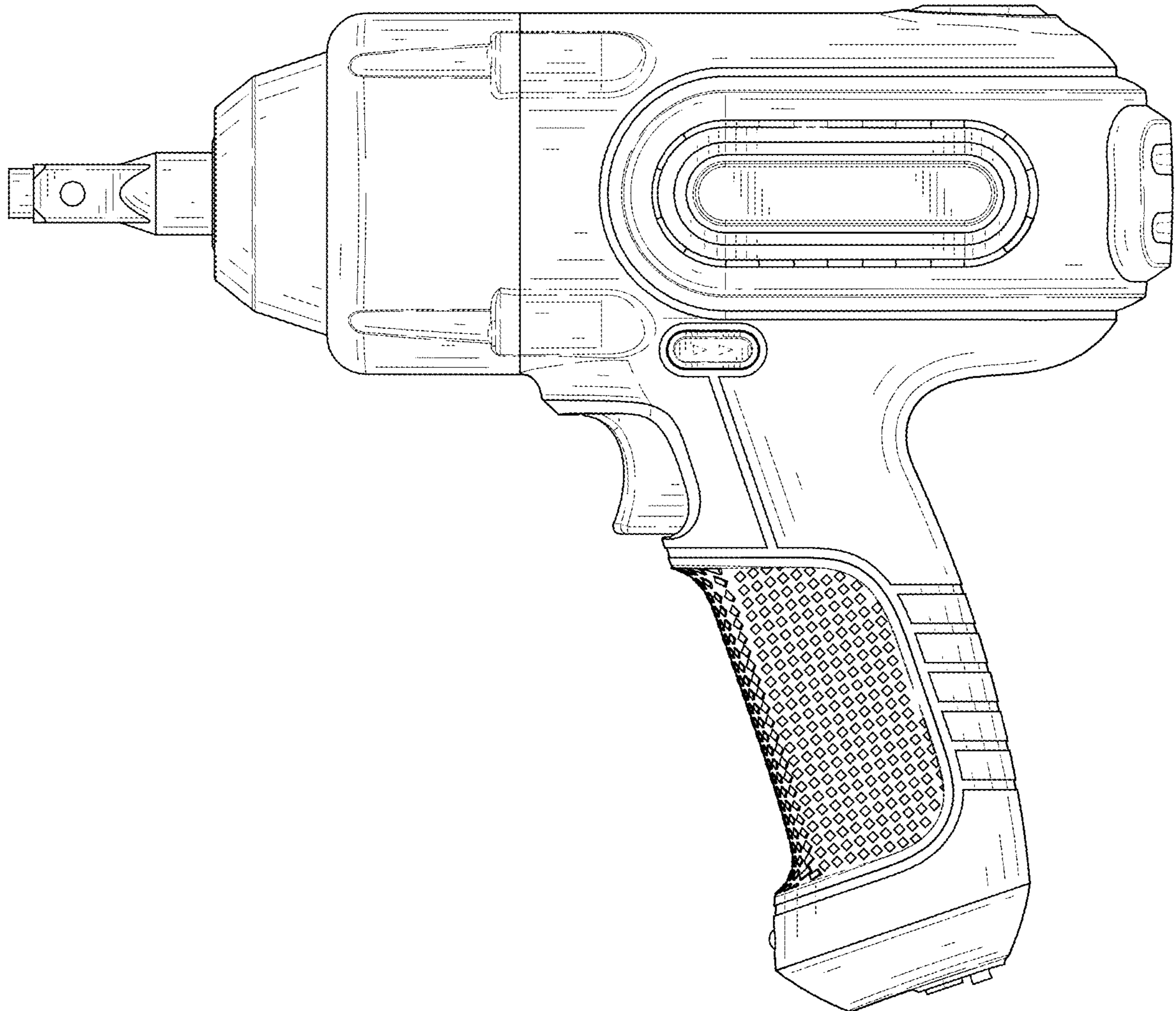


FIG. 3

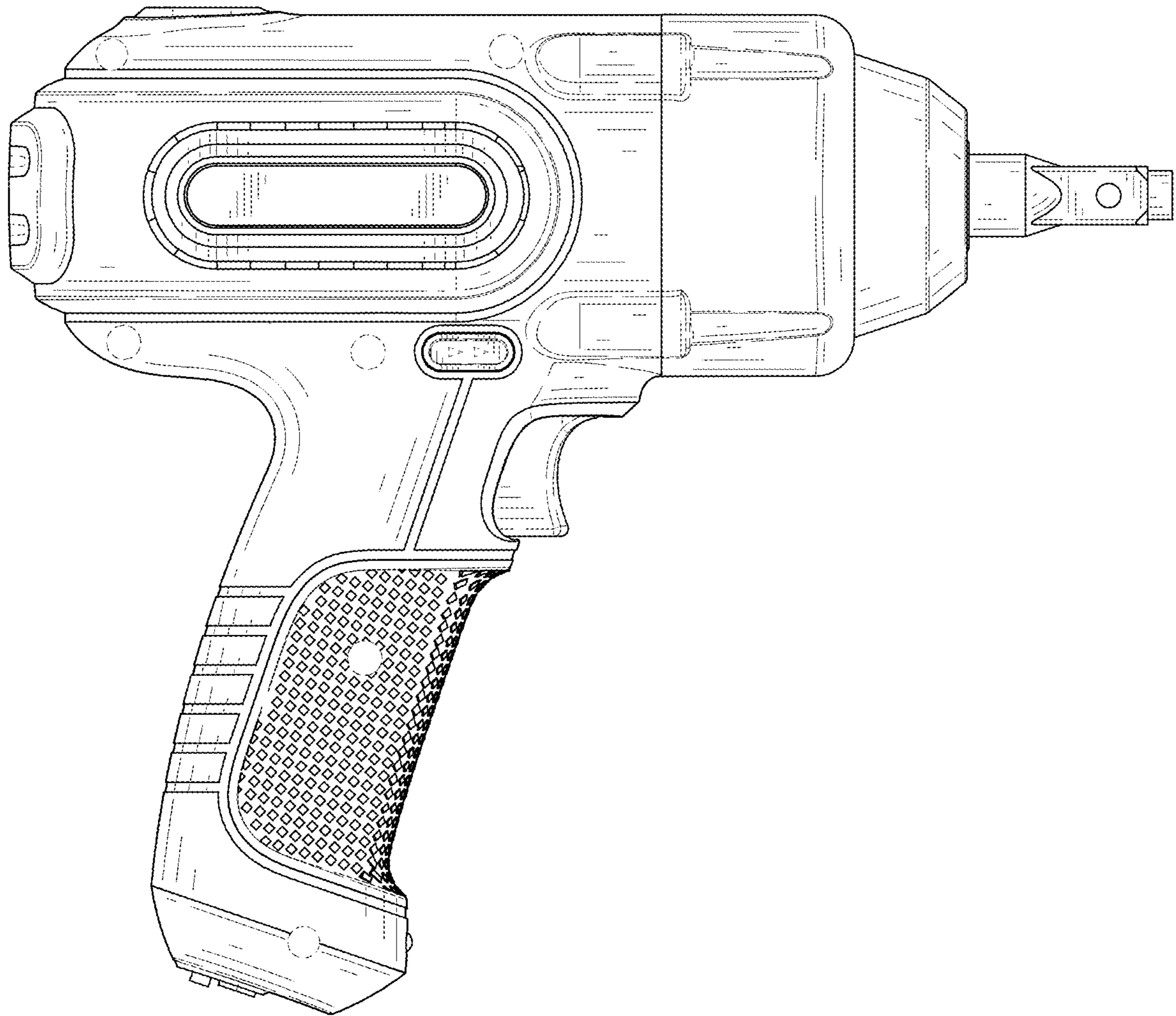


FIG. 4

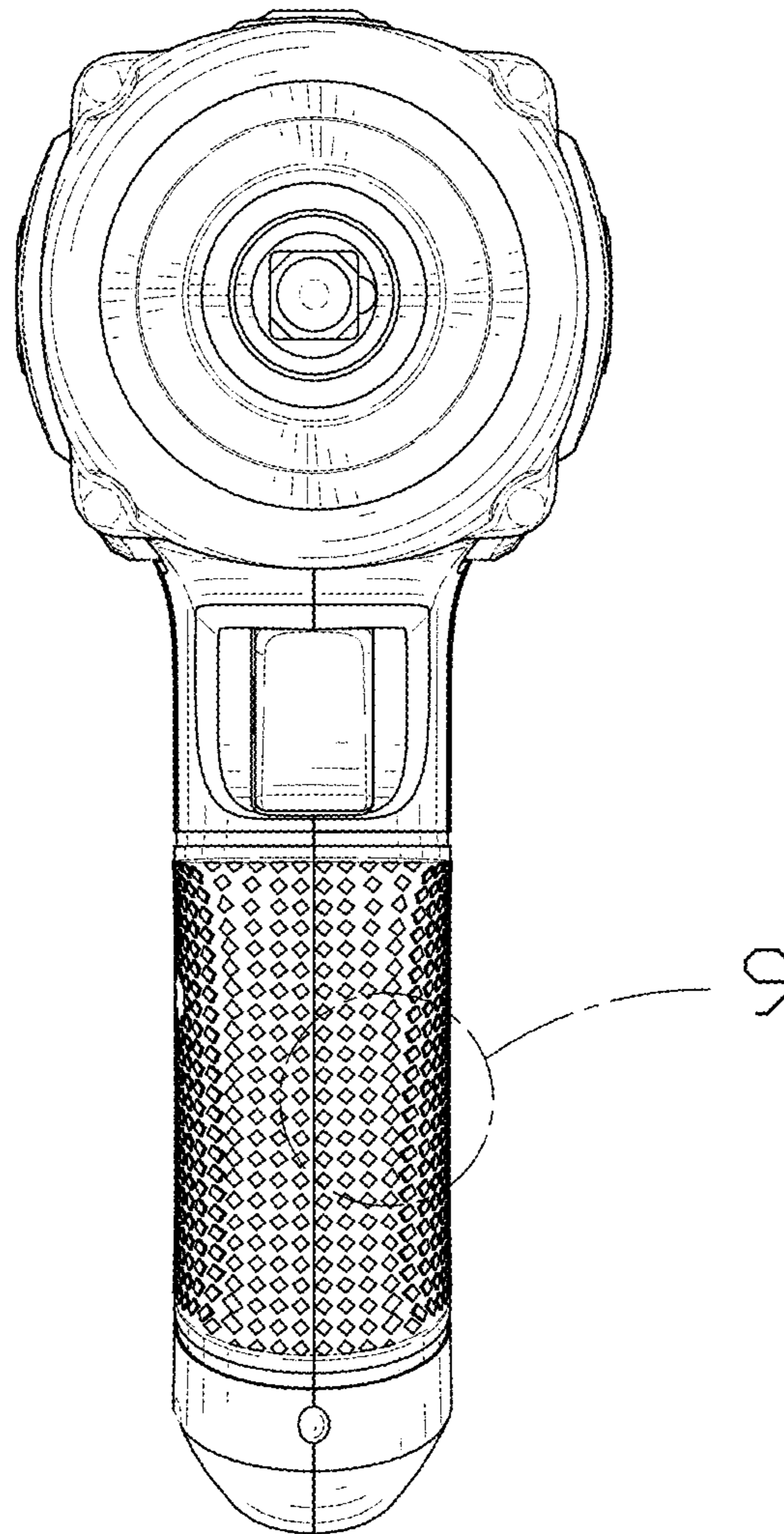


FIG. 5

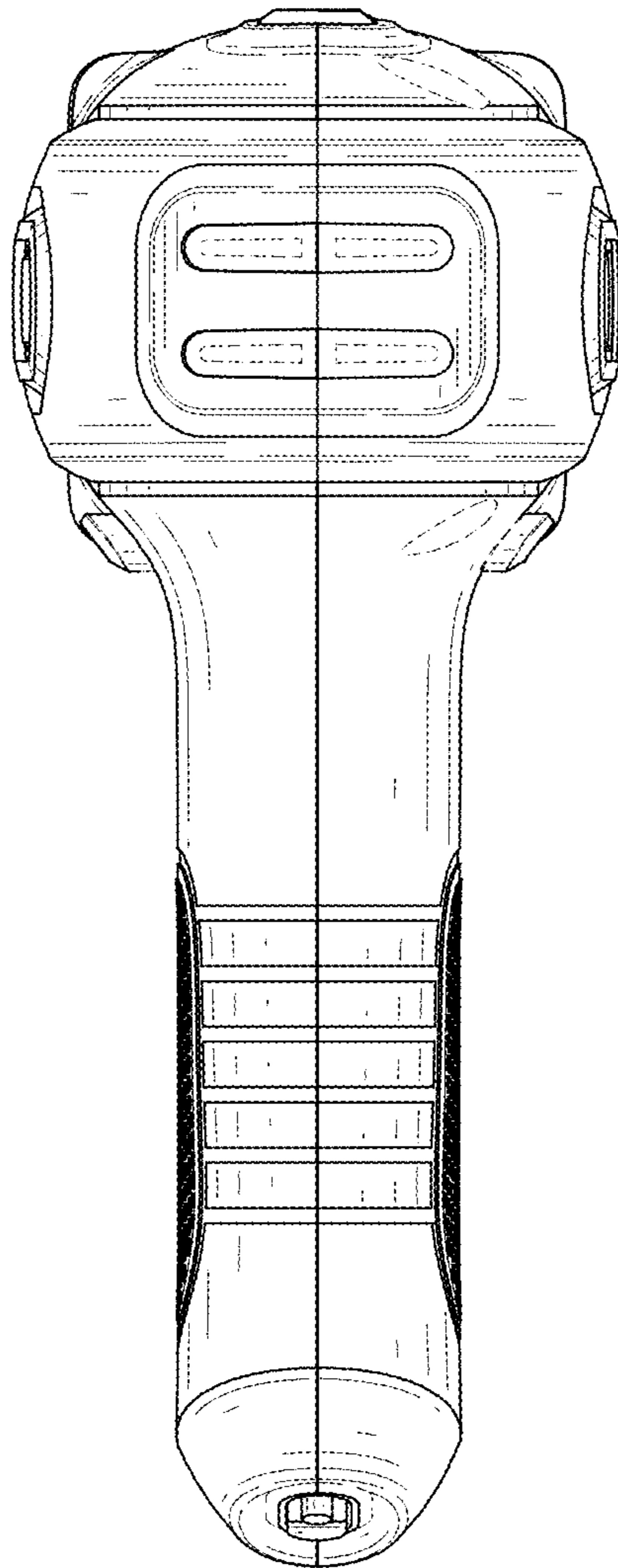


FIG. 6

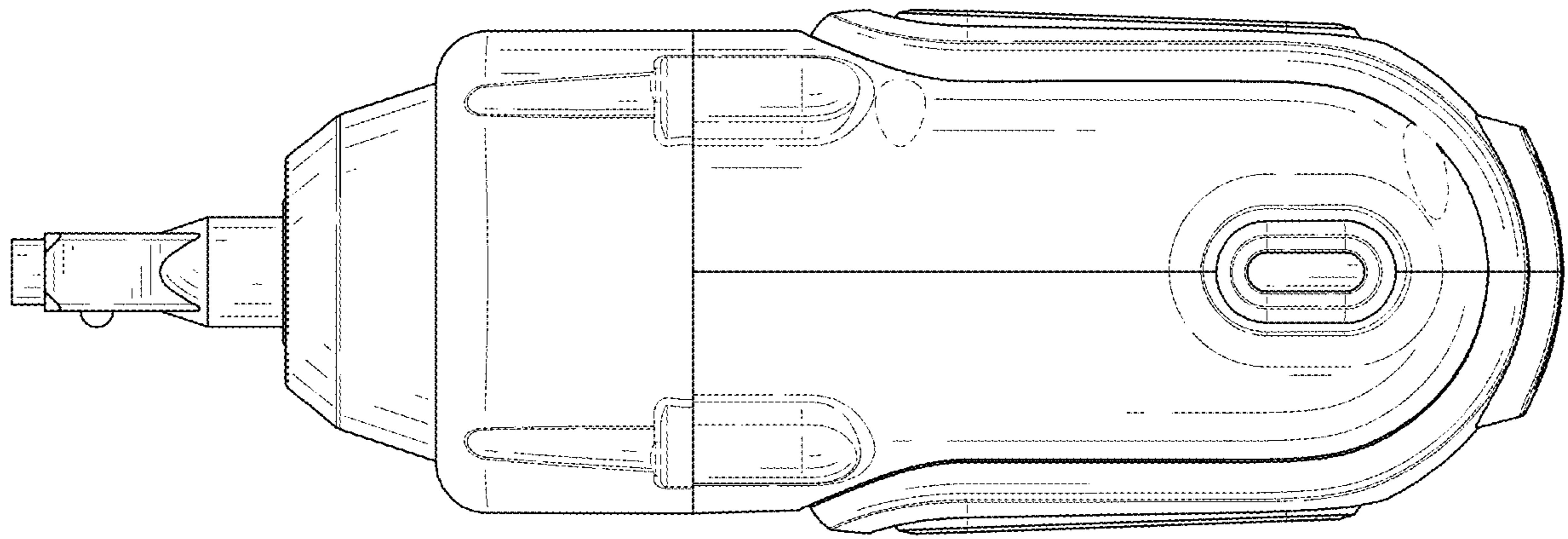


FIG. 7

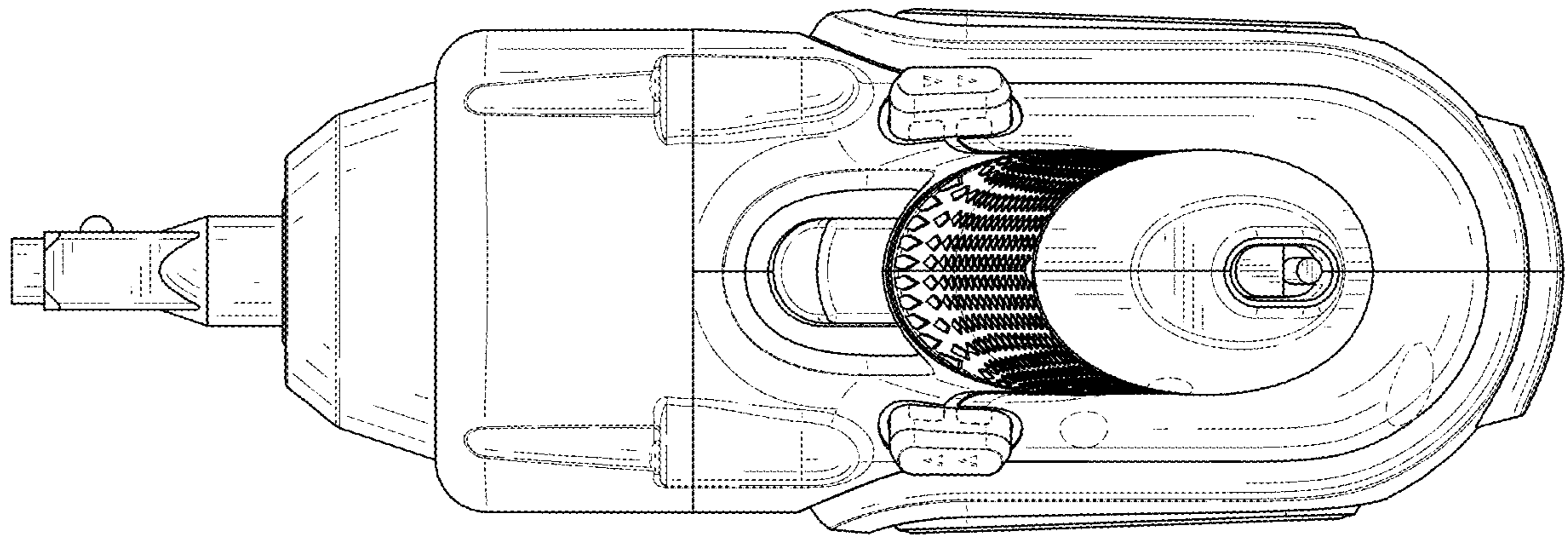


FIG. 8

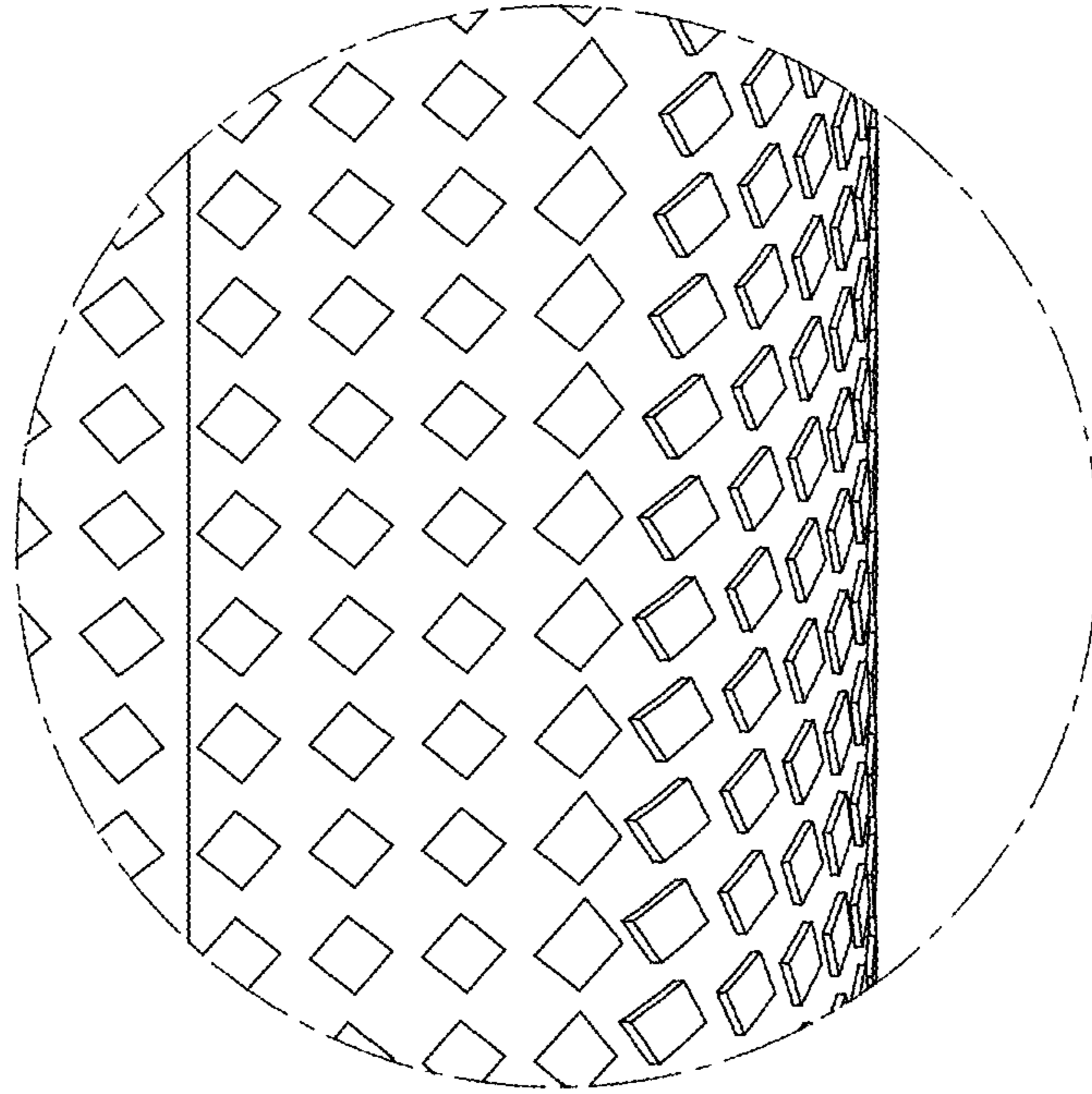


FIG. 9