



US00D935293S

(12) **United States Design Patent** (10) **Patent No.:** **US D935,293 S**  
**James et al.** (45) **Date of Patent:** **\*\* Nov. 9, 2021**

(54) **AIR HAMMER**

(71) Applicant: **VIS, LLC**, Travelers Rest, SC (US)

(72) Inventors: **Chad James**, Tylertown, MS (US);  
**Sam Butler**, Anderson, SC (US);  
**Katherine Mruz**, Simpsonville, SC (US);  
**Patrick S Livingston**, Easton, PA (US);  
**Billy R Lee, Jr.**, Moore, SC (US)

(73) Assignee: **VIS, LLC**, Greer, SC (US)

(\*\*) Term: **15 Years**

(21) Appl. No.: **29/704,713**

(22) Filed: **Sep. 6, 2019**

(51) **LOC (13) Cl.** ..... **08-05**

(52) **U.S. Cl.**  
USPC ..... **D8/68**

(58) **Field of Classification Search**  
USPC ..... D8/61, 67, 68  
CPC .... B62D 23/005; B62D 29/00; B62D 29/043;  
B62D 31/00; B62D 33/046; B62D 35/00;  
B62D 35/001; B60Q 1/0005  
See application file for complete search history.

6,668,942 B1 \* 12/2003 Lin ..... B25D 17/24  
173/162.1

D487,219 S \* 3/2004 Chudy ..... D8/68

6,827,156 B1 \* 12/2004 Hsiao ..... B25D 17/245  
173/168

D509,119 S \* 9/2005 Schiller ..... D8/68

D608,176 S \* 1/2010 Heidelbergger ..... D8/68

D619,438 S \* 7/2010 Lee ..... D8/68

8,240,394 B2 \* 8/2012 Kobayashi ..... B25D 17/24  
173/162.1

D703,020 S \* 4/2014 Zhu ..... D8/68

D775,505 S \* 1/2017 Koeniger ..... D8/68

9,844,867 B2 \* 12/2017 Hsieh ..... B25D 9/08

D869,928 S \* 12/2019 Hsiao ..... D8/68

10,792,798 B2 \* 10/2020 Liaw ..... B25D 9/16

2010/0258609 A1 \* 10/2010 Lee ..... B25C 1/143  
227/10

\* cited by examiner

*Primary Examiner* — Darlington Ly  
(74) *Attorney, Agent, or Firm* — J. Bennett Mullinax, LLC

(57) **CLAIM**

The ornamental design for an air hammer, as shown and described.

**DESCRIPTION**

FIG. 1 is a front perspective view of an air hammer embodying our new design;  
FIG. 2 is a front elevation view thereof;  
FIG. 3 is a rear elevation view thereof;  
FIG. 4 is a left side elevation view thereof;  
FIG. 5 is a right side elevation view thereof;  
FIG. 6 is a top plan view thereof; and,  
FIG. 7 is a bottom plan view thereof.  
The broken lines in the drawings illustrate portions of the air hammer that form no part of the claimed design.

**1 Claim, 5 Drawing Sheets**

(56) **References Cited**

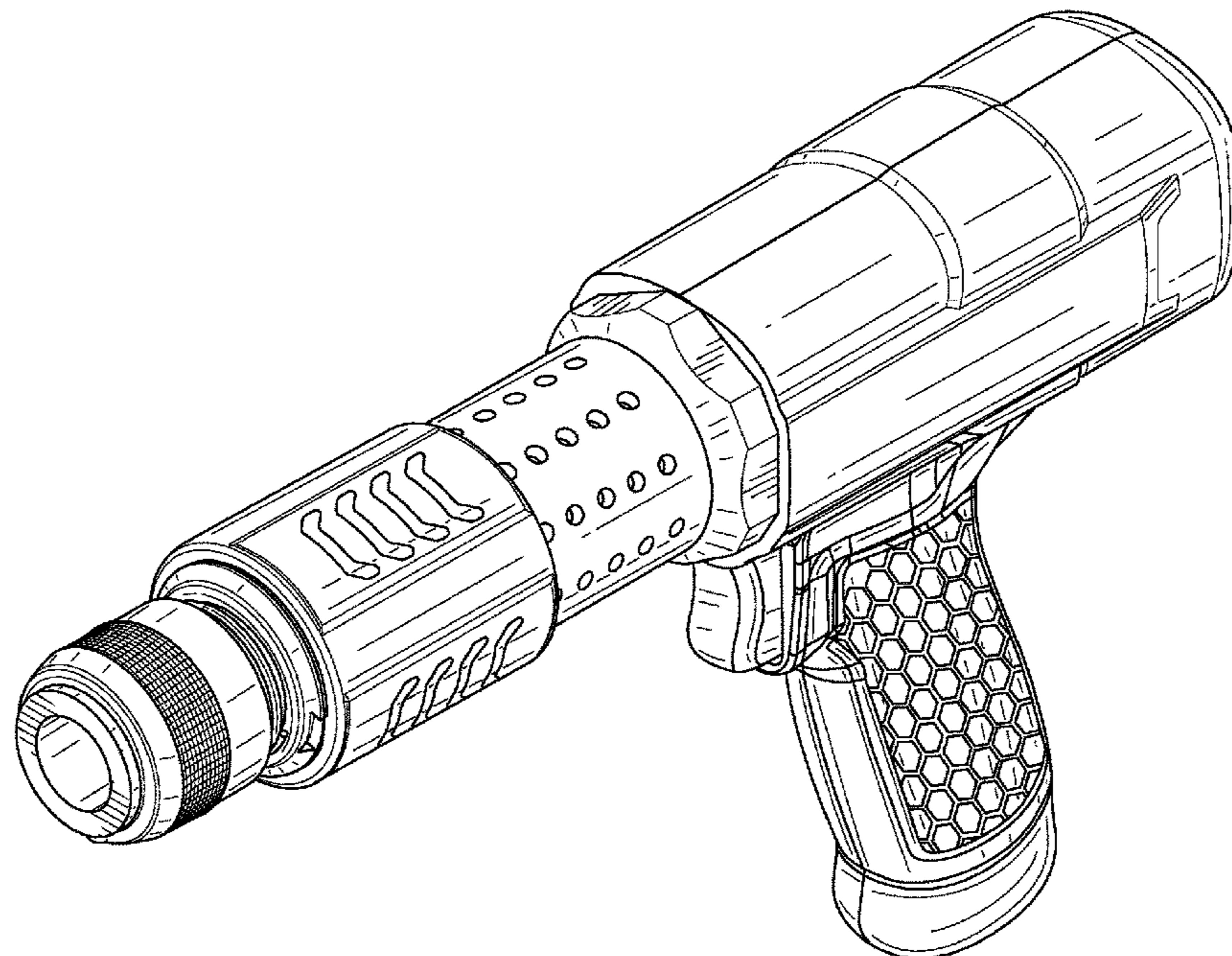
U.S. PATENT DOCUMENTS

2,960,067 A \* 11/1960 Osborne ..... B25C 1/041  
91/417 A

5,417,294 A \* 5/1995 Suher ..... B25D 9/14  
173/15

5,913,370 A \* 6/1999 Chapelle ..... B25B 21/00  
173/169

6,161,628 A \* 12/2000 Liu ..... B25D 9/20  
173/114



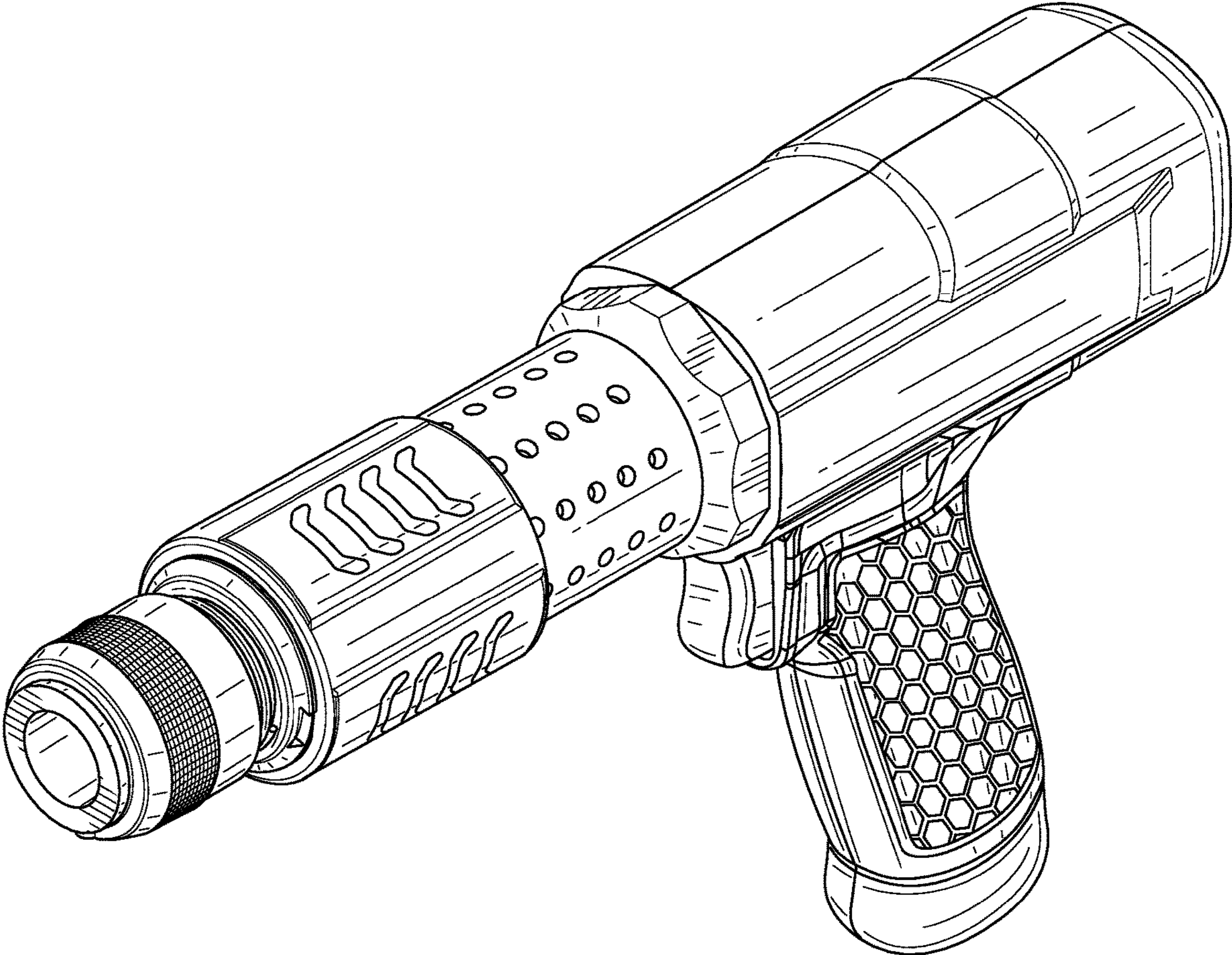


FIG. 1



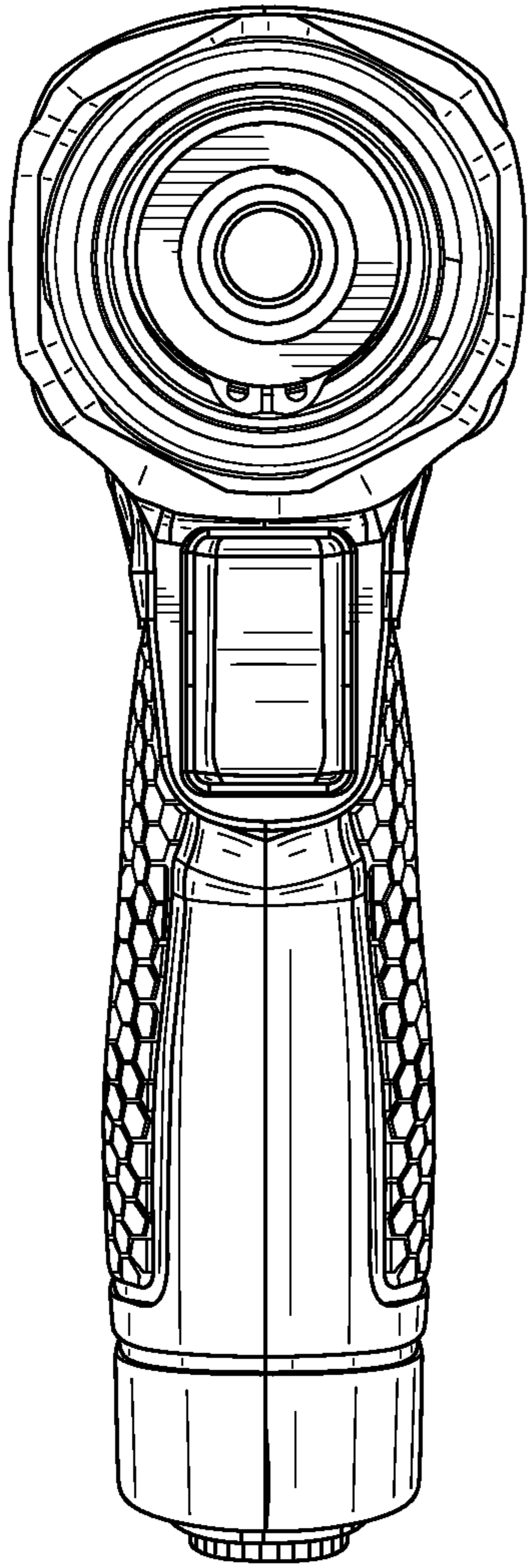


FIG. 2

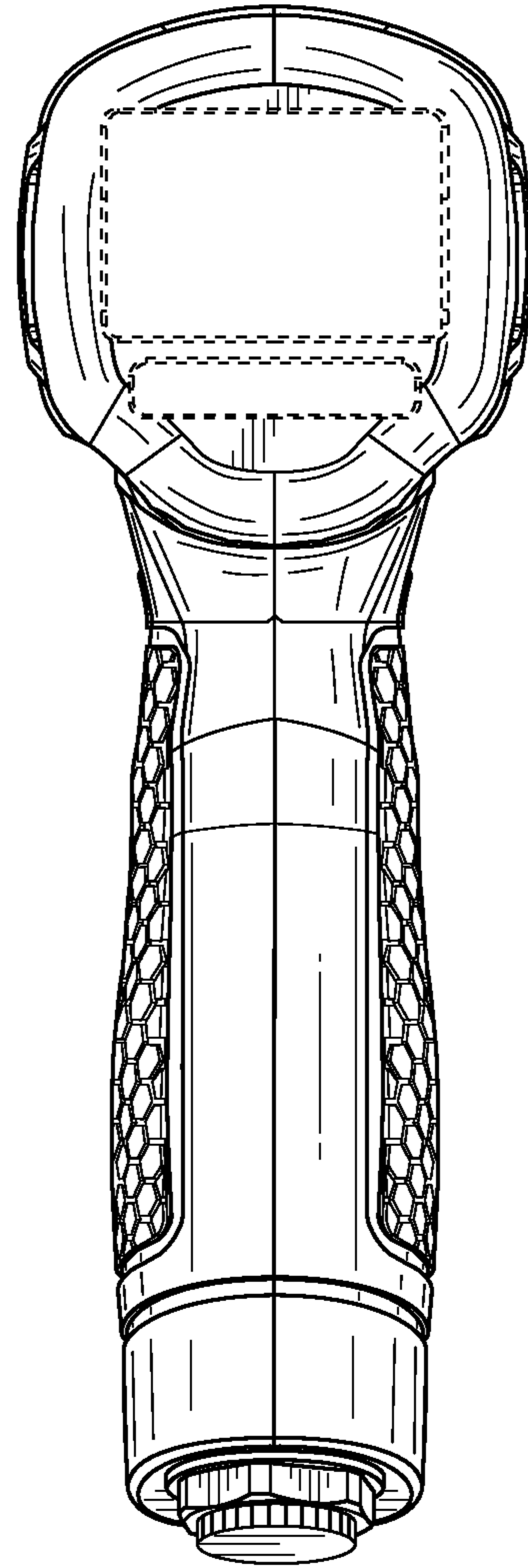


FIG. 3

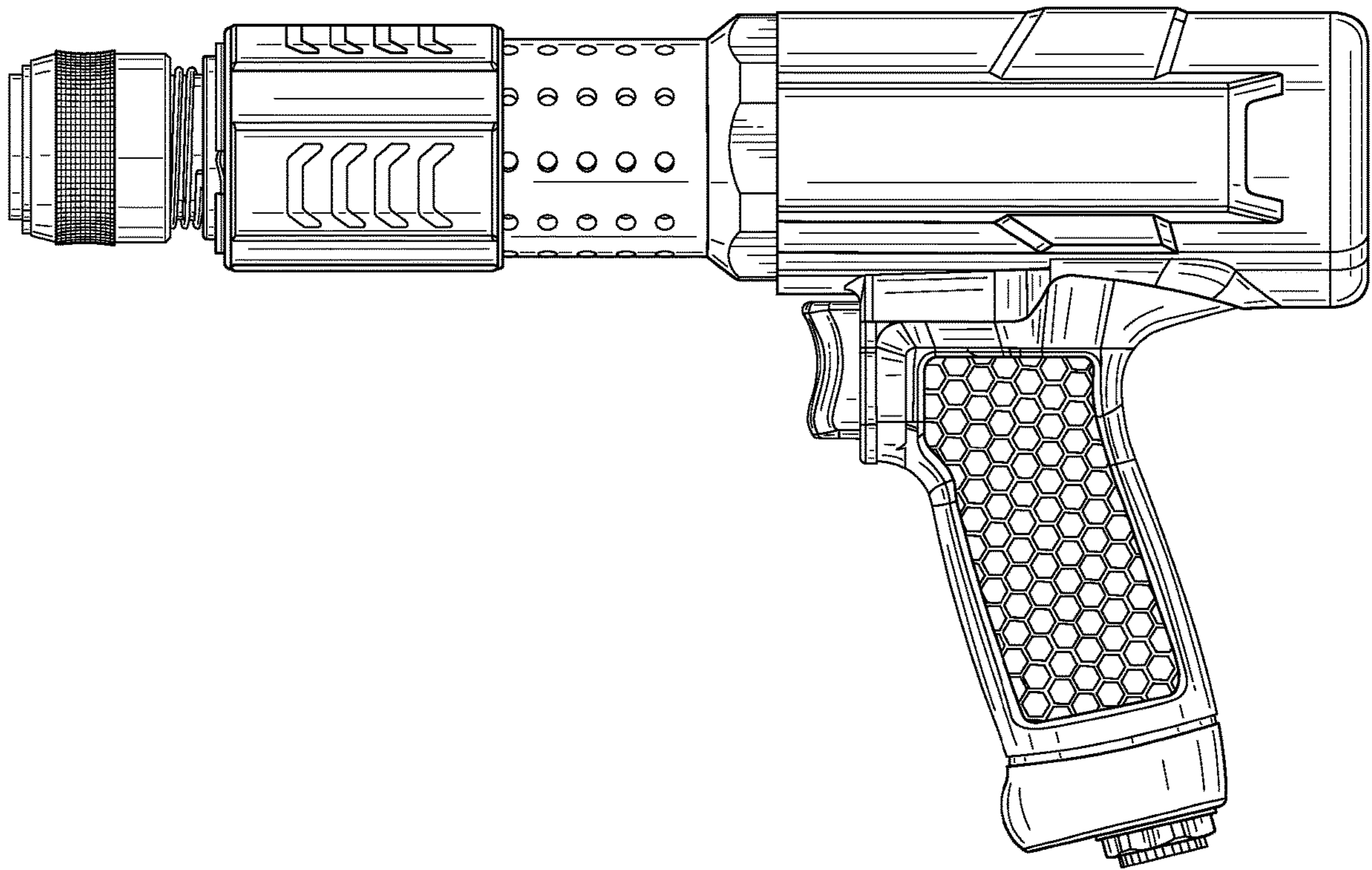


FIG. 4

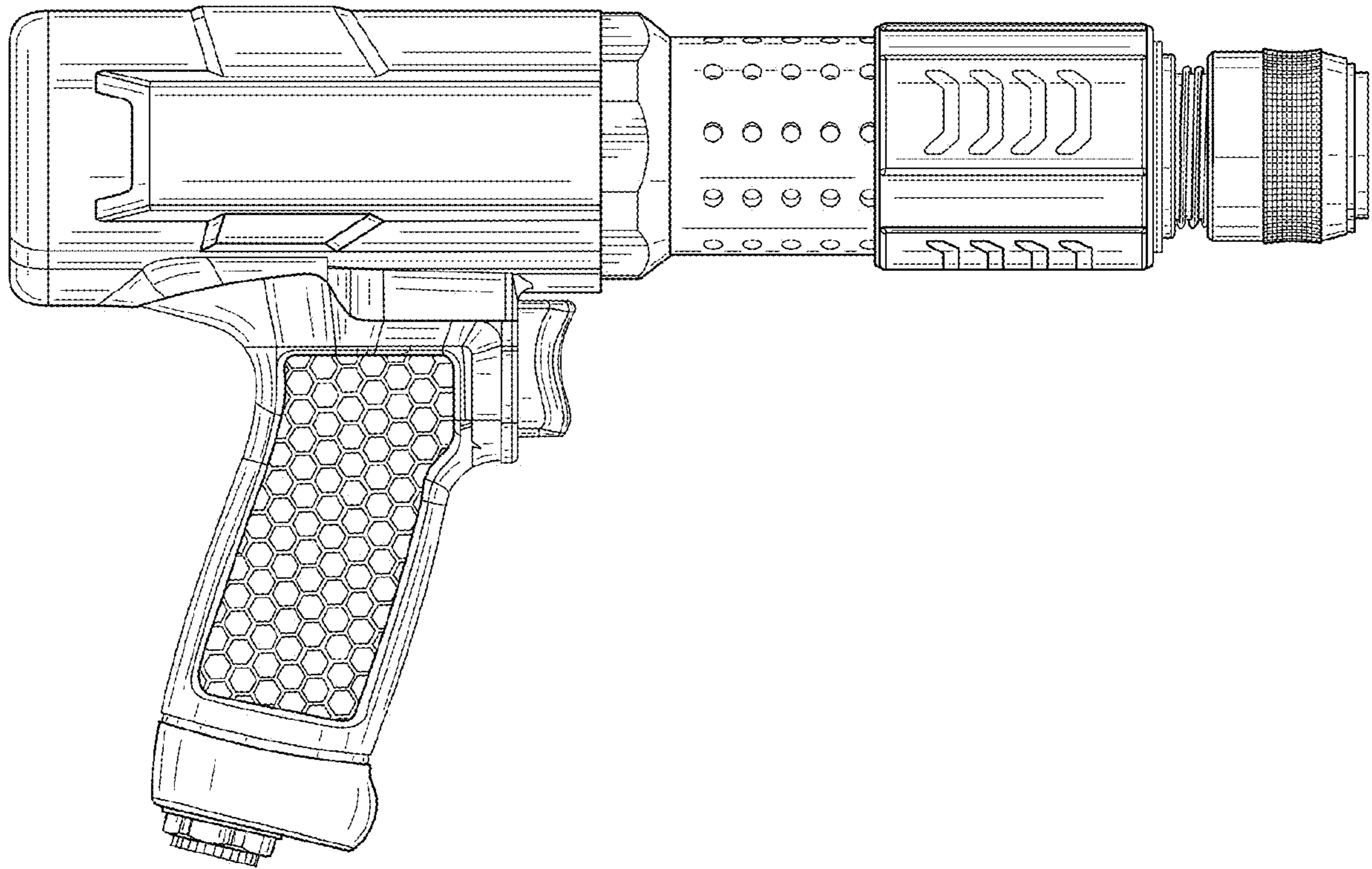


FIG. 5

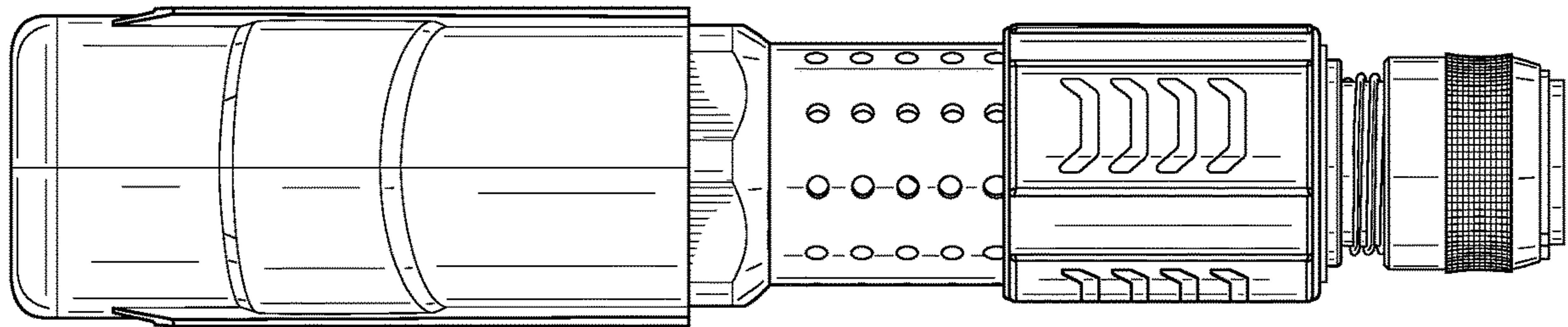


FIG. 6

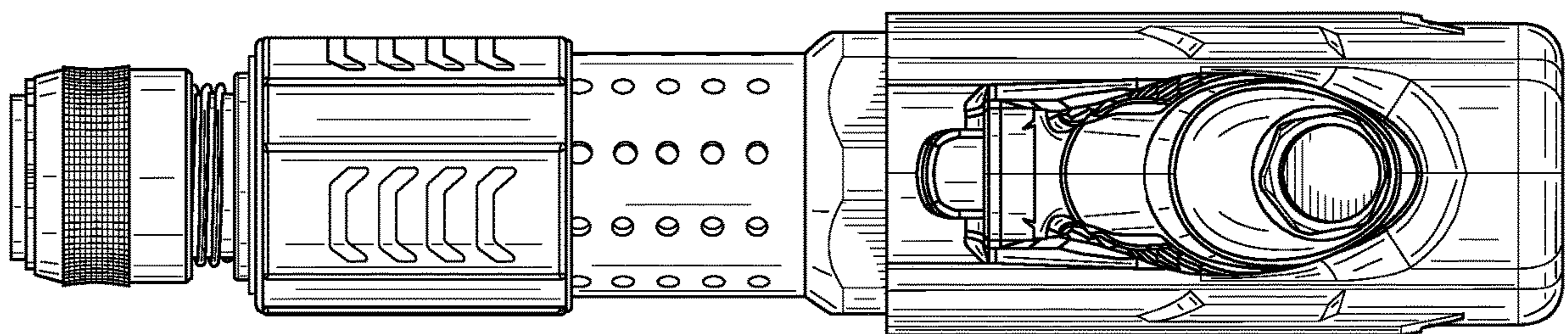


FIG. 7