



US00D935292S

(12) **United States Design Patent** (10) **Patent No.:** **US D935,292 S**
Albri (45) **Date of Patent:** **** Nov. 9, 2021**

- (54) **HOT MELT APPLICATOR**
- (71) Applicant: **STEINEL GmbH**, Herzebrock-Clarholz (DE)
- (72) Inventor: **Frank Albri**, Herzebrock-Clarholz (DE)
- (73) Assignee: **STEINEL GmbH**, Herzebrock-Clarholz (DE)

(**) Term: **15 Years**
 (21) Appl. No.: **29/735,741**

(22) Filed: **May 22, 2020**
 (51) **LOC (13) Cl.** **08-05**
 (52) **U.S. Cl.**
 USPC **D8/30**
 (58) **Field of Classification Search**
 USPC D8/29.1, 29.2, 30, 68, 14.1
 CPC B05C 17/0053; B05C 17/00546; B05C
 17/00526; B05C 17/01
 See application file for complete search history.

(56) **References Cited**
 U.S. PATENT DOCUMENTS

6,105,824	A *	8/2000	Singleton	B05C 17/0053 219/221
D455,620	S *	4/2002	Lee	D8/14.1
D514,406	S *	2/2006	Lee	D8/30
D535,167	S *	1/2007	Monfeli	D8/14.1
D541,121	S *	4/2007	Axinte	D8/30
D576,458	S *	9/2008	Arns	D8/30
7,775,403	B2 *	8/2010	Monfeli	B25F 5/02 222/173
D671,385	S *	11/2012	Yung-Kuan	D8/30
D678,024	S *	3/2013	Taniguchi	D8/68

D777,545	S *	1/2017	Kosugi	D8/68
9,586,229	B1 *	3/2017	Lee	B05C 17/0053
D793,193	S *	8/2017	Lee	D8/30
D809,884	S *	2/2018	Huang	D8/30
D839,069	S *	1/2019	Koeniger	D8/68
D870,525	S *	12/2019	Zhang	D8/30
D877,584	S *	3/2020	Lee	D8/30
D897,796	S *	10/2020	Wang	D8/30
2017/0080449	A1 *	3/2017	Lee	B05B 15/63

* cited by examiner

Primary Examiner — Philip S Hyder
 (74) *Attorney, Agent, or Firm* — Snell & Wilmer L.L.P.

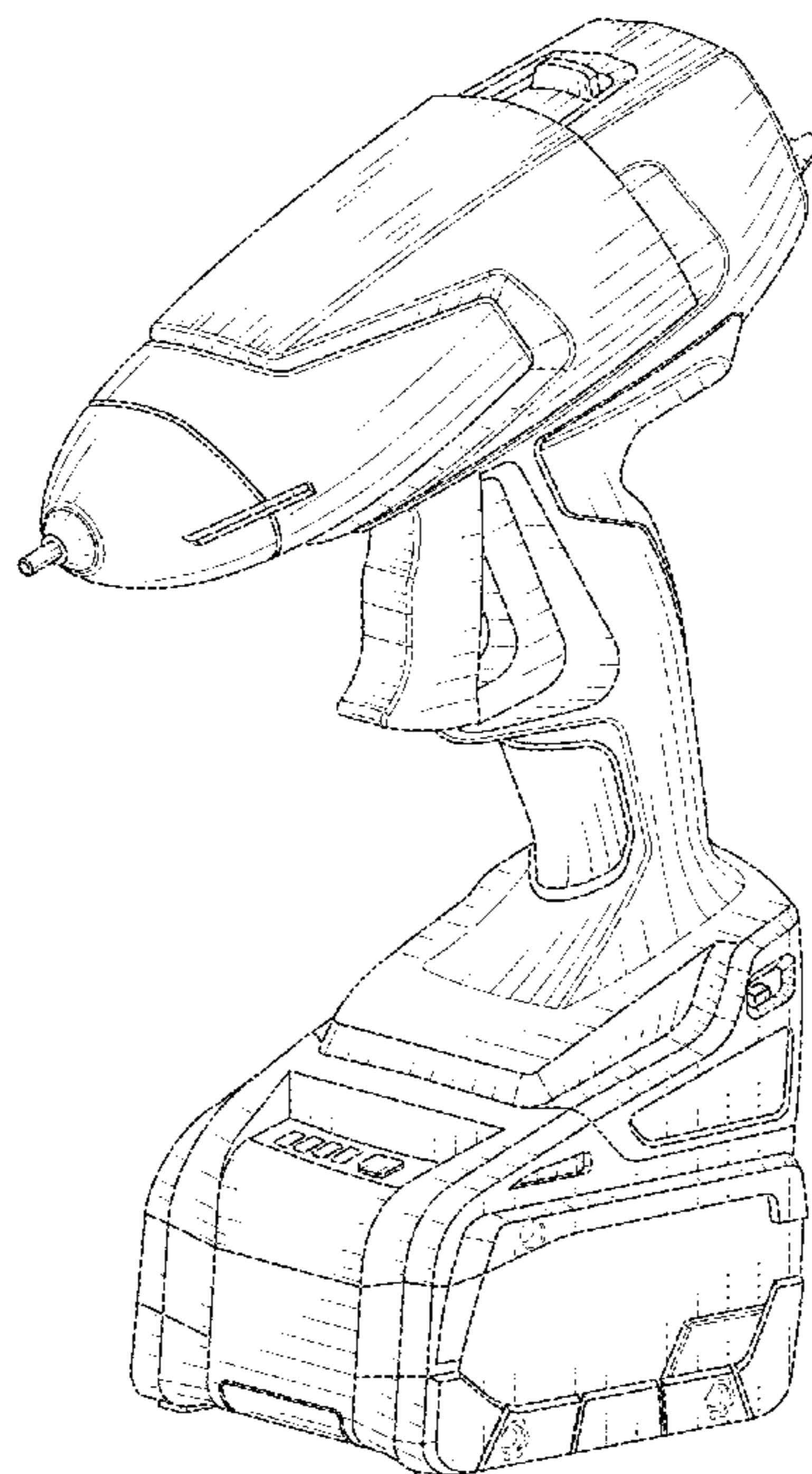
(57) **CLAIM**

An ornamental design for a hot melt applicator, as shown and described.

DESCRIPTION

FIG. 1 is a perspective view illustrating the hot melt applicator showing my new design;
 FIG. 2 is a first side view of the hot melt applicator as shown in FIG. 1;
 FIG. 3 is a second side view of the hot melt applicator as shown in FIG. 1;
 FIG. 4 is a front view of the hot melt applicator as shown in FIG. 1;
 FIG. 5 is a rear view of the hot melt applicator as shown in FIG. 1;
 FIG. 6 is a top plan view of the hot melt applicator as shown in FIG. 1; and,
 FIG. 7 is a bottom plan view of the hot melt applicator as shown in FIG. 1.
 The broken line disclosure in the views represents portions of the hot melt applicator which form no part of the claimed design.

1 Claim, 5 Drawing Sheets



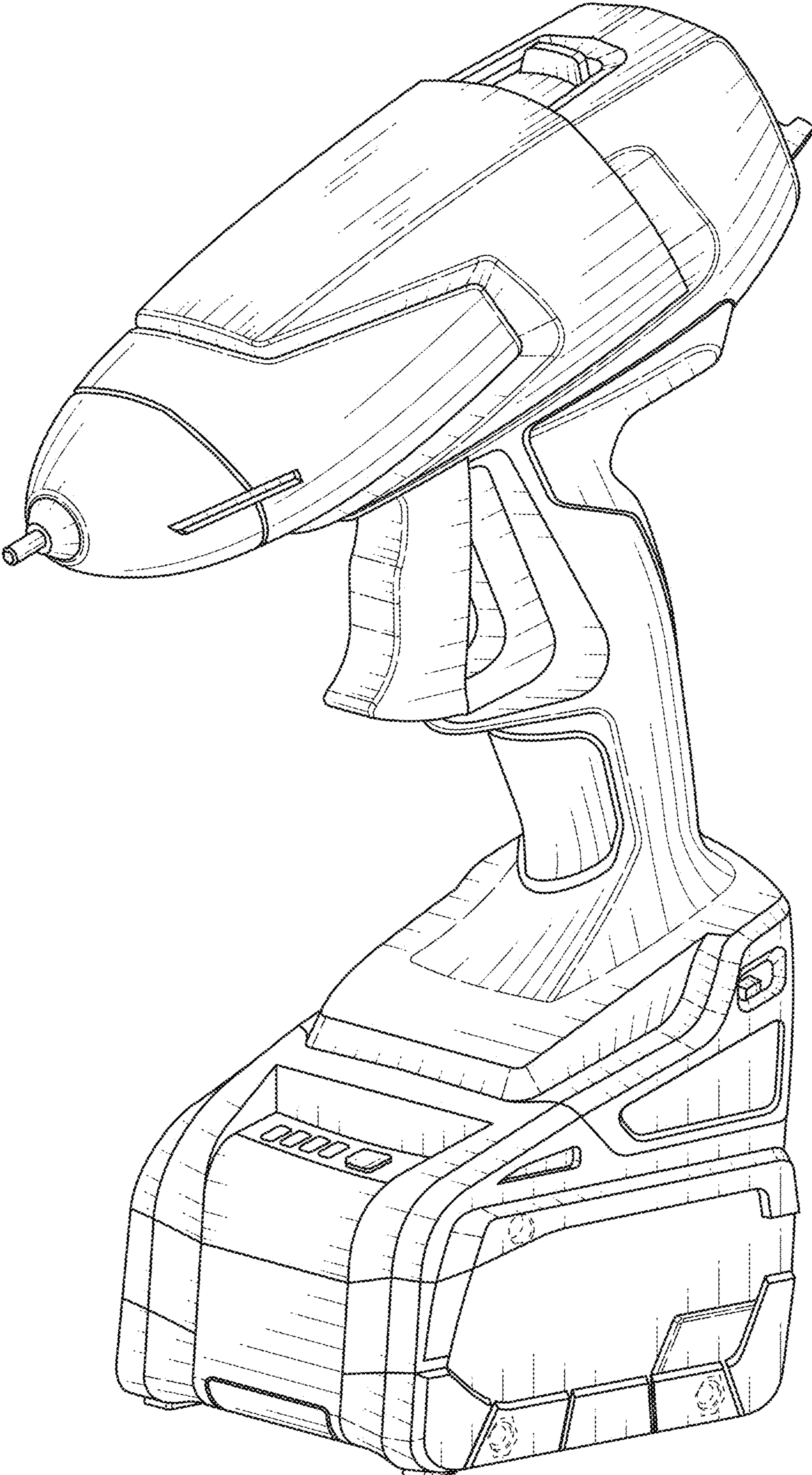


FIG. 1

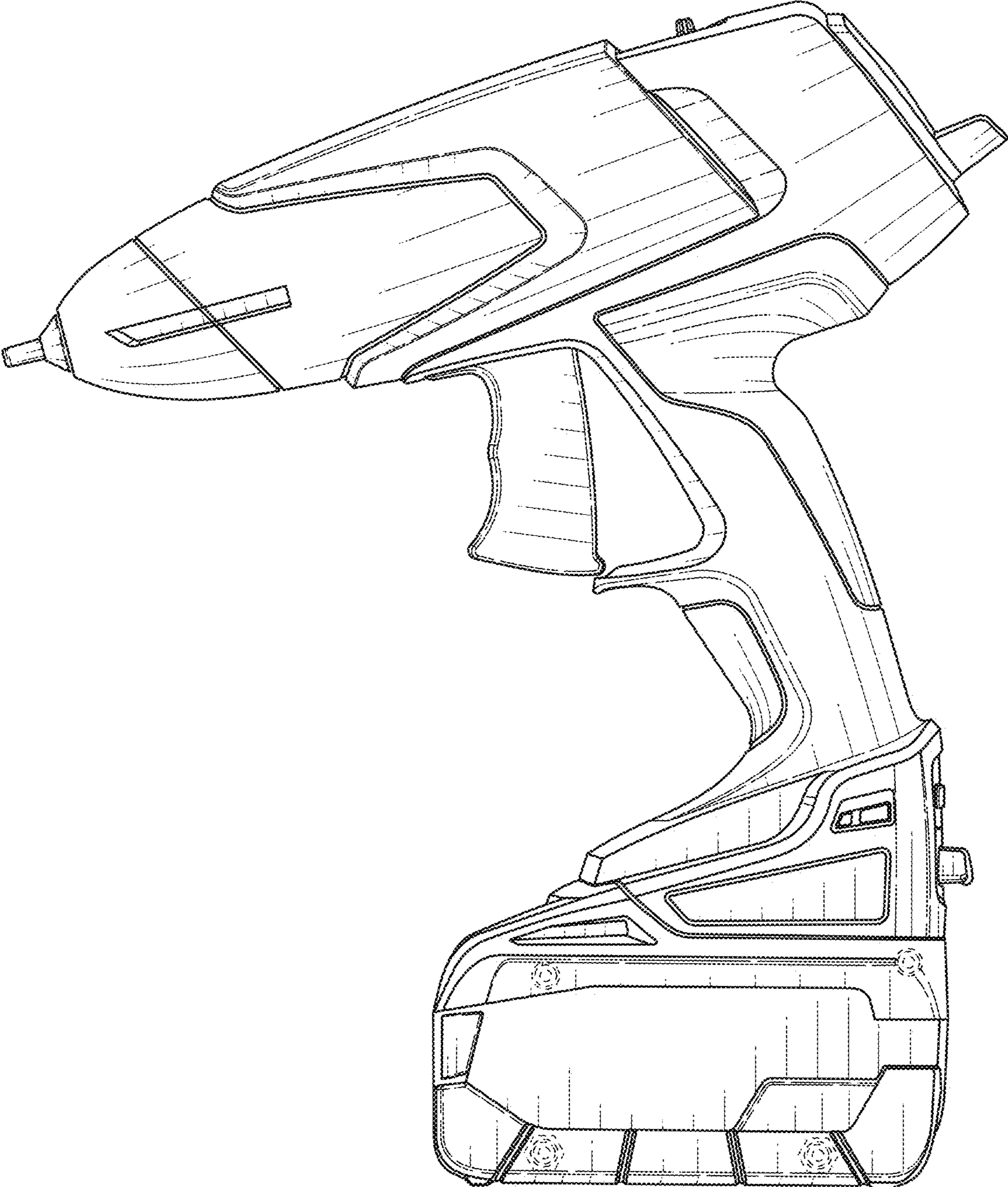


FIG. 2

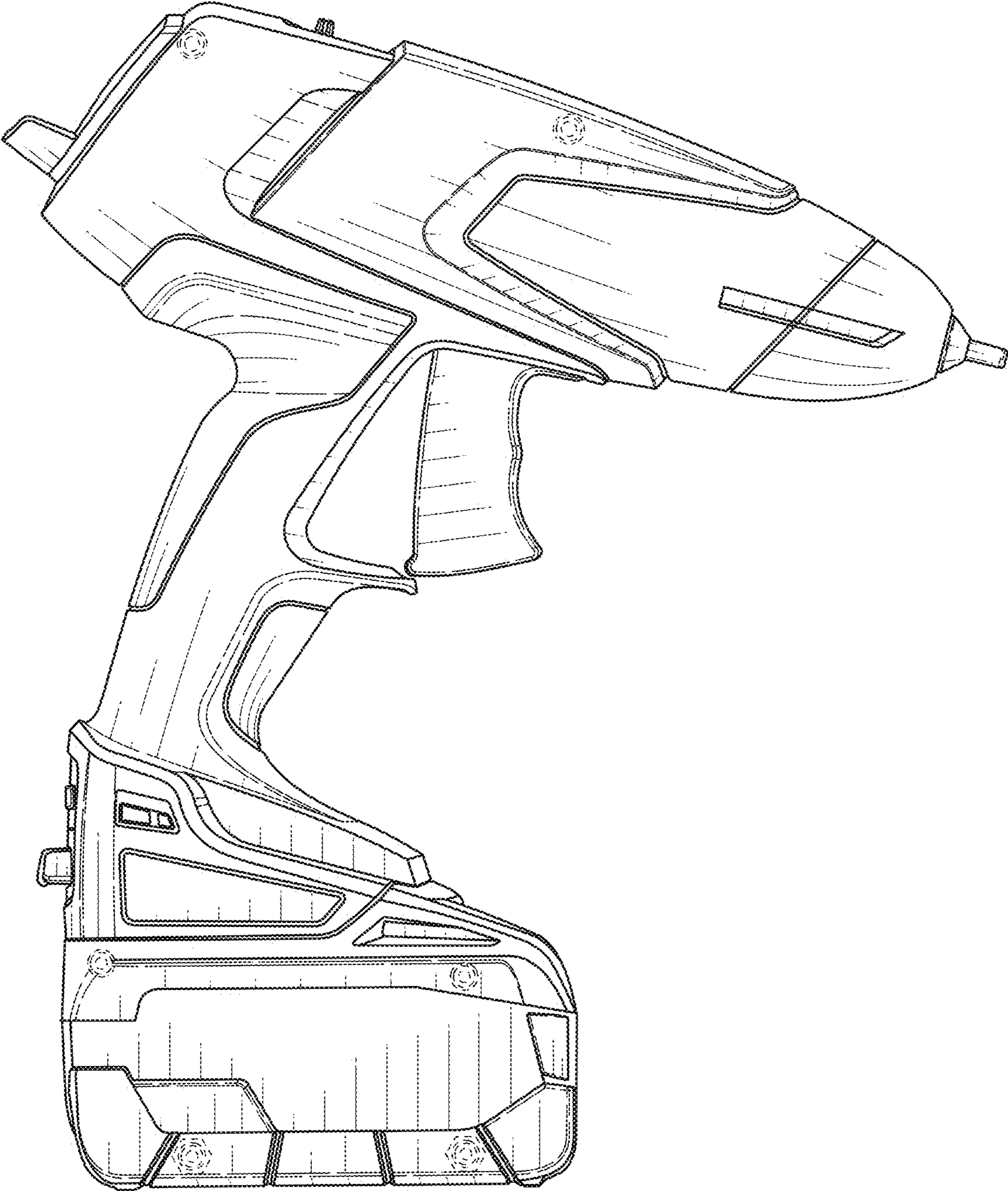


FIG. 3

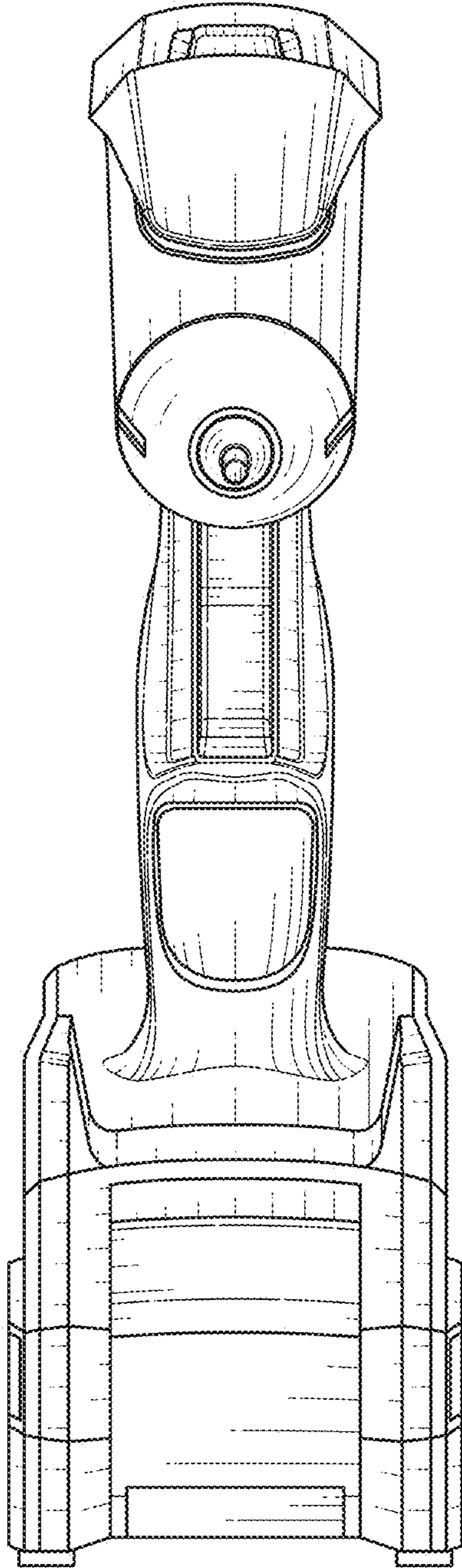


FIG. 4

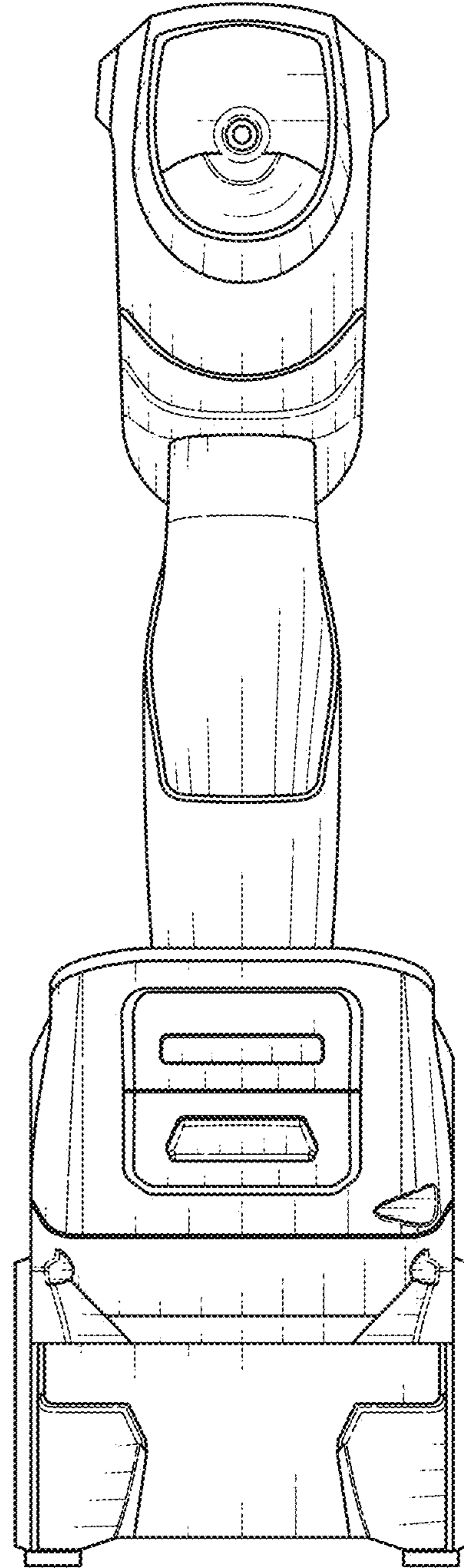


FIG. 5

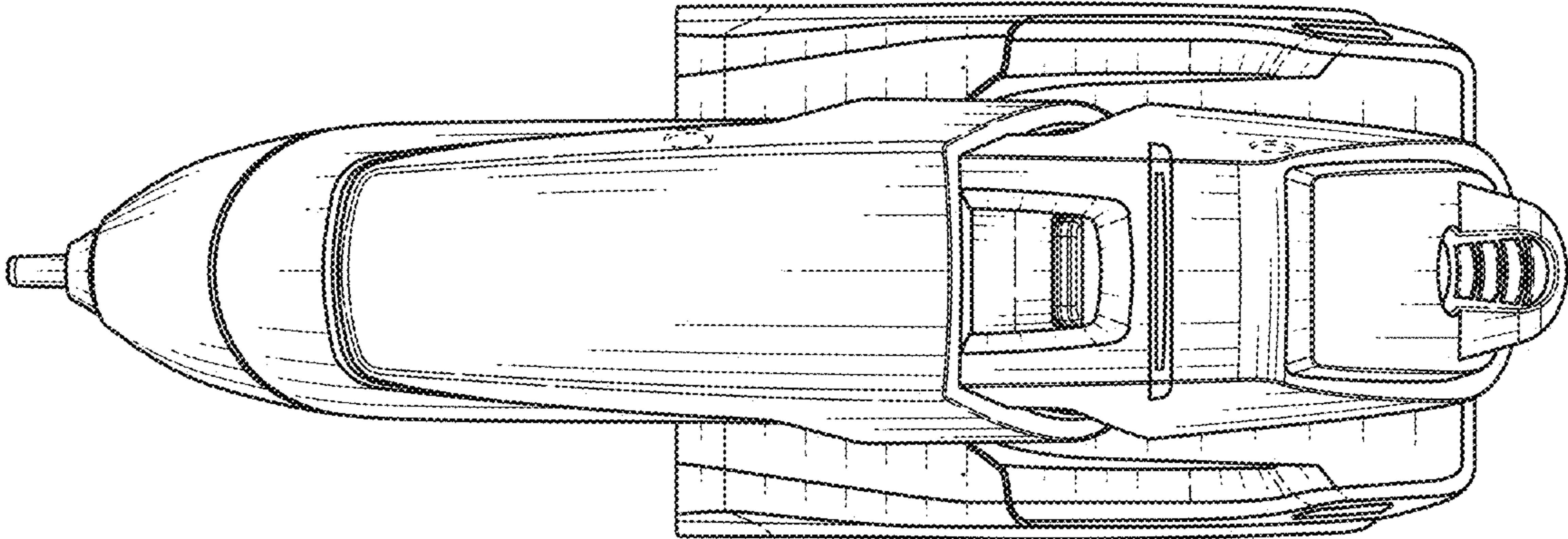


FIG. 6

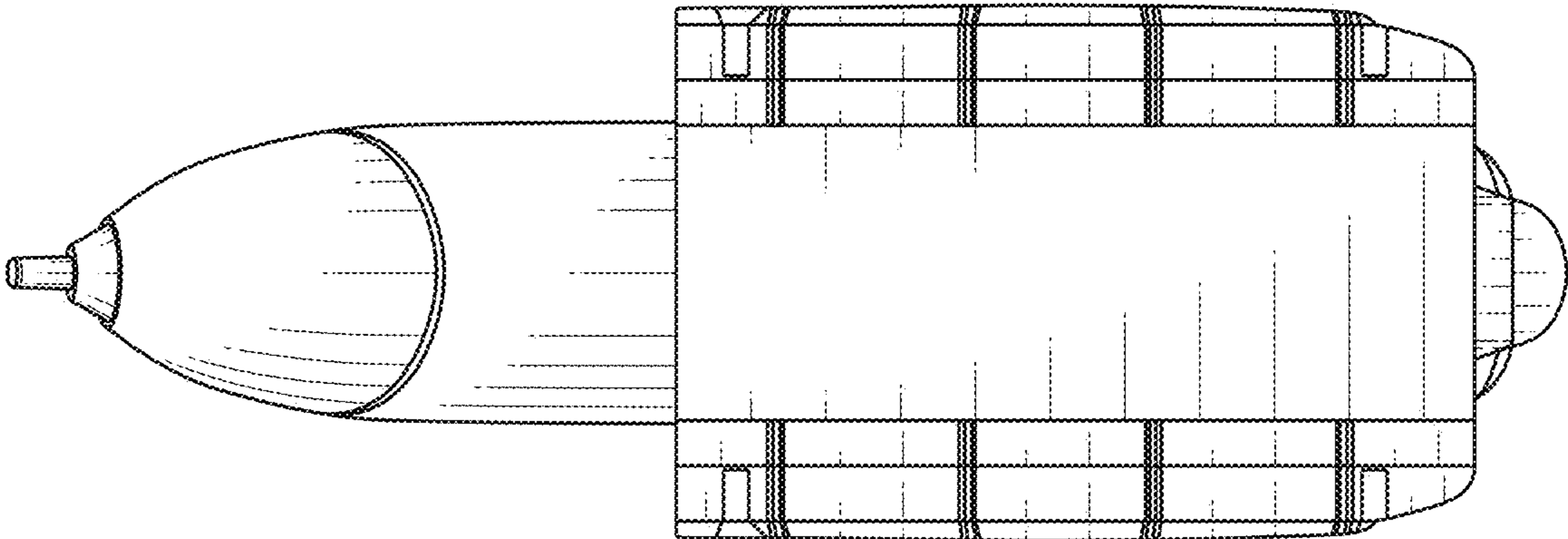


FIG. 7