

US00D935291S

(12) **United States Design Patent** (10) **Patent No.:** **US D935,291 S**
English (45) **Date of Patent:** **** Nov. 9, 2021**

(54) **FILTER CLEANER**

FOREIGN PATENT DOCUMENTS

(71) Applicant: **Brad A. English**, Tucson, AZ (US)

CN 306154109 * 4/2020

(72) Inventor: **Brad A. English**, Tucson, AZ (US)

GB 9007540752-0001 * 1/2020

KR 300888449.0000 * 1/2016

KR 301077599.0000 * 10/2019

(**) Term: **15 Years**

OTHER PUBLICATIONS

(21) Appl. No.: **29/716,665**

(22) Filed: **Dec. 11, 2019**

(51) **LOC (13) Cl.** **08-05**

(52) **U.S. Cl.**

USPC **D8/29**; D8/70

(58) **Field of Classification Search**

USPC D8/14, 16, 17, 21-29, 70, 77, 70.1, 75,
D8/90; D32/40, 43; D9/562

CPC B25B 13/14; B25B 13/06; B25B 13/04;
B25B 13/46; B25B 13/00; B25B 7/02;
B25B 13/48; B25B 13/16; B25B 13/505;
B25B 13/5058; B25B 23/0007; B25B
13/28; B25B 23/147; B25B 13/08; B25B
13/56; B25B 23/035; B25B 13/065; B25B
13/465; B25B 13/463; B08B 1/04; B08B
9/027; A46B 13/006; A46B 2200/3013;
A46B 13/02; B25F 5/001

See application file for complete search history.

PROMMON,Glass Polishing Pad, Date first available Sep. 22, 2017, [online]retrieved Jun. 2, 2021,available from https://www.amazon.com/PROMMON-Polishing-Microfibre-Adapter-Electric/dp/B074P13ZCB/ref=sr_1_145_sspa?dchild=1&keywords=DRILL+HEAD&qid=1622668418&sr=8-145-spons&psc=1 (Year: 2017).*
SPTA Store, Drill Buffing Pad, Date first available Sep. 5, 2015, [online]retrieved Jun. 2, 2021 ,available from https://www.amazon.com/dp/B014SADBI0/ref=sspa_dk_detail_6?psc=1&pd_rd_i=B014SADBI0&pd_rd_w=bUbkk&pf_rd_p=d99b04de-2aba-431e-aaa5-cb34a6a19561&pd_rd_wg (Year: 2015).*

* cited by examiner

Primary Examiner — Keli L Hill

Assistant Examiner — Sara S Sahneh

(56) **References Cited**

U.S. PATENT DOCUMENTS

D317,258 S * 6/1991 Dinand D9/545
D356,853 S * 3/1995 Fowler D23/213
D379,577 S * 6/1997 Carkhuff D8/30
D434,290 S * 11/2000 McMullin D8/21
6,470,526 B2 * 10/2002 Large B60S 3/042
15/210.1
D598,173 S * 8/2009 Hartel D32/40
D695,584 S * 12/2013 Chen D8/70
D774,865 S * 12/2016 Chen D8/70
D787,143 S * 5/2017 Ishibashi D32/40
D803,653 S * 11/2017 Smith B24B 27/033
D8/70
D804,267 S * 12/2017 Umbrell D8/70
D805,268 S * 12/2017 Ishibashi D32/40
D831,497 S * 10/2018 Katopis D9/636

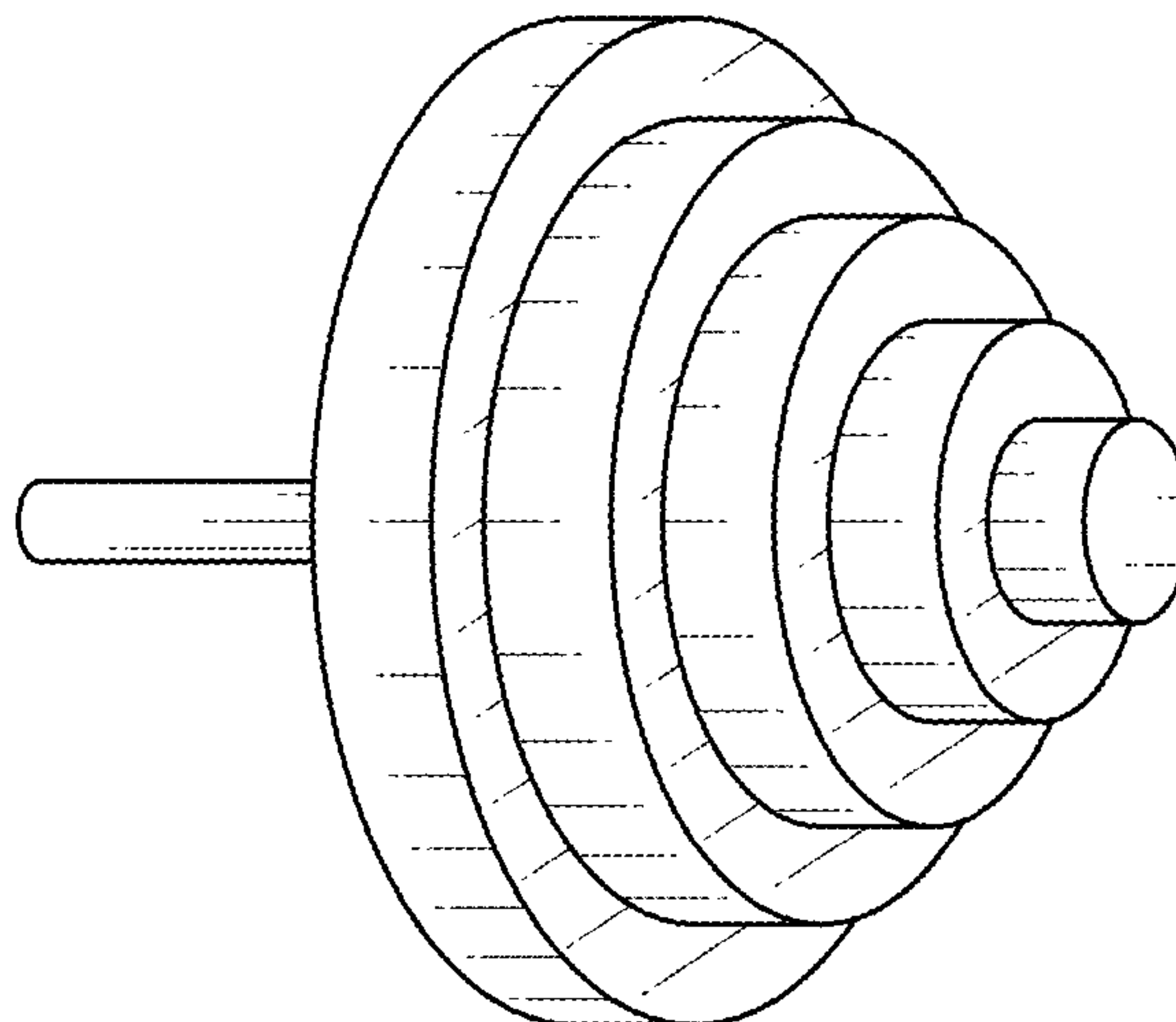
(57) **CLAIM**

The ornamental design for a filter cleaner, as shown and described.

DESCRIPTION

FIG. 1 is a perspective view of a filter cleaner showing my new design;
FIG. 2 is a top view thereof;
FIG. 3 is a bottom view thereof;
FIG. 4 is a side view thereof; and,
FIG. 5 is a perspective view thereof in an alternate in use configuration.
The broken lines in FIG. 5 are for the purpose of illustrating environmental structure of the filter cleaner, the broken lines form no part of the claimed design.

1 Claim, 2 Drawing Sheets



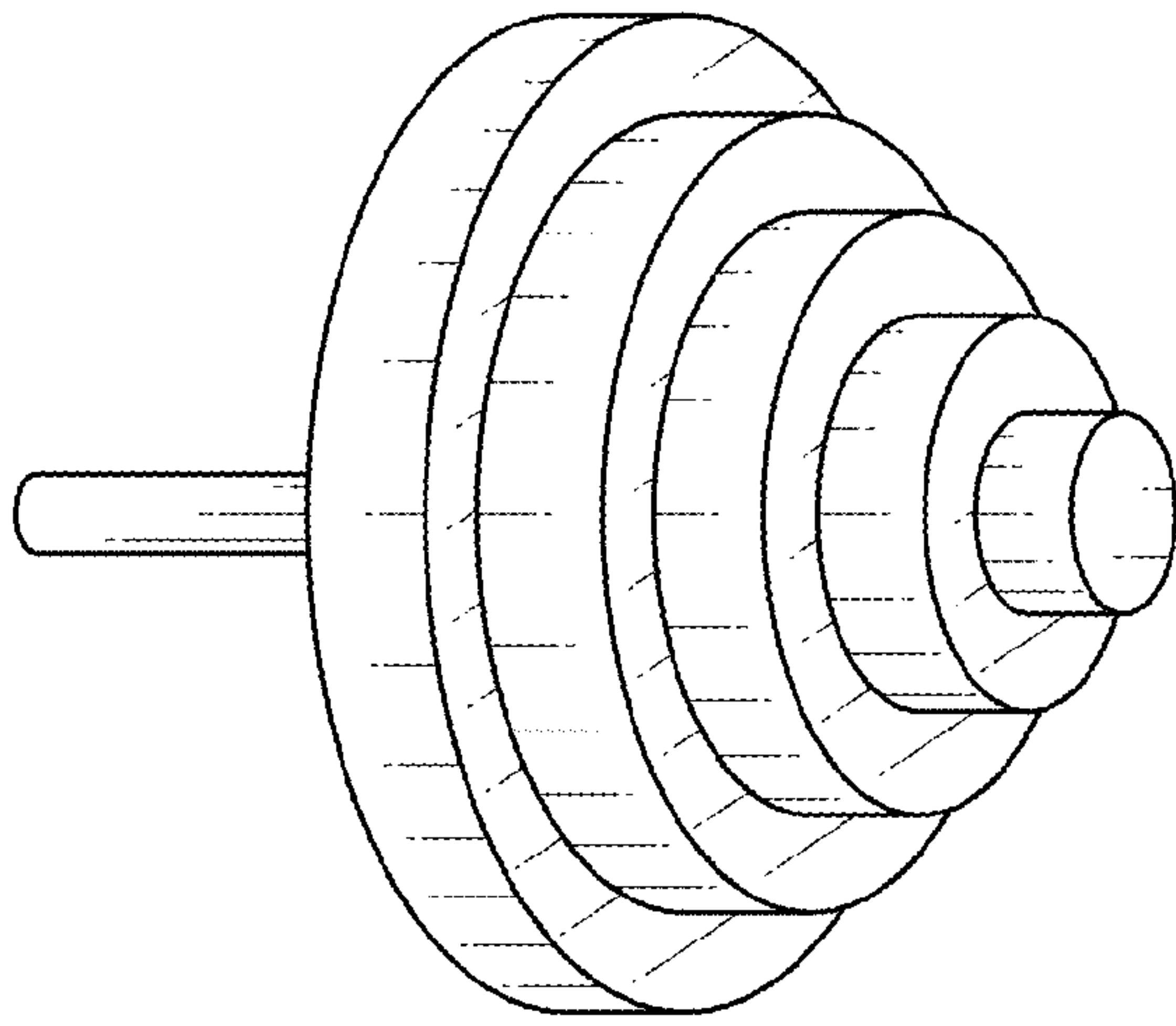


FIG. 1

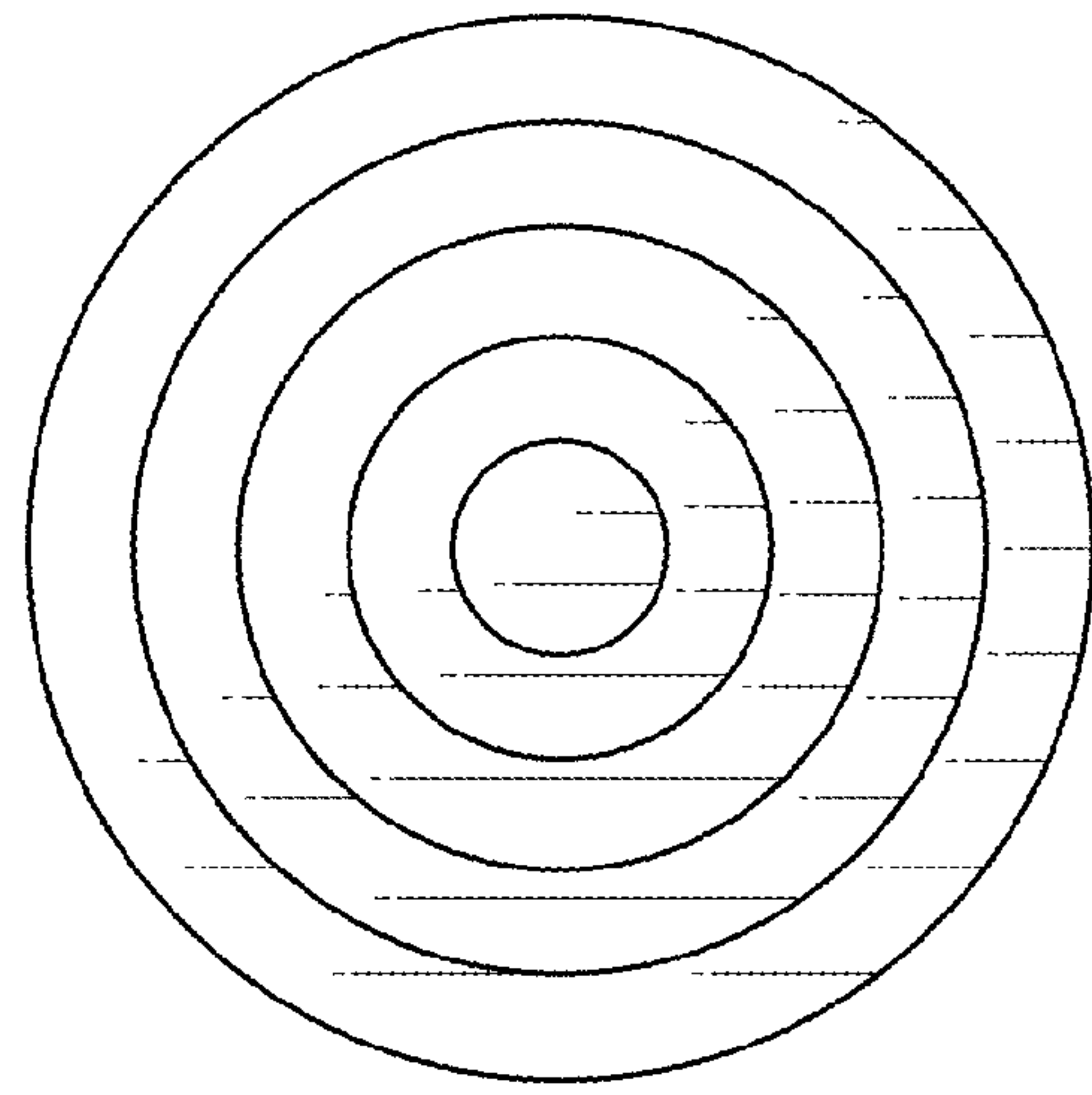


FIG. 2

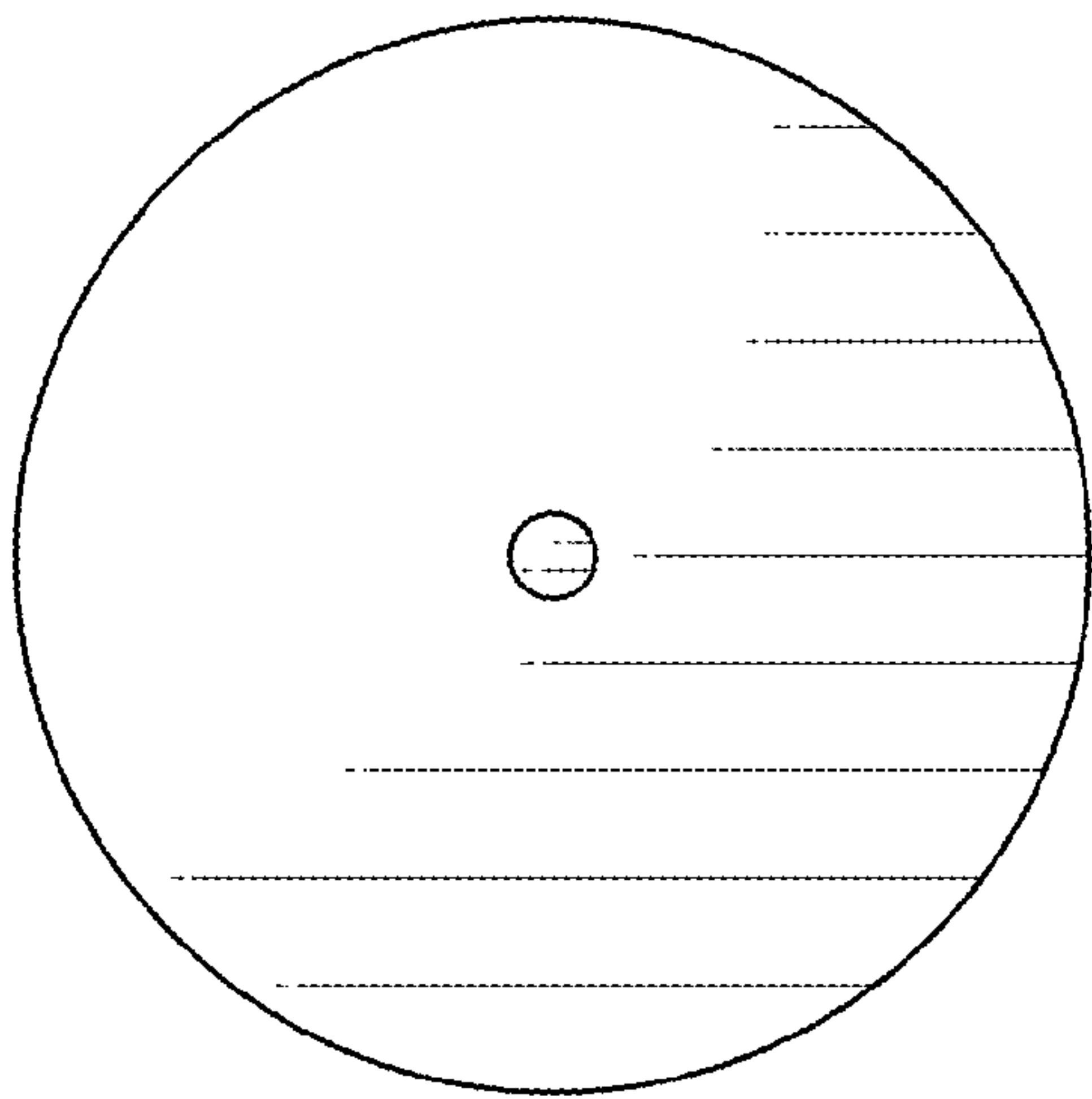


FIG. 3

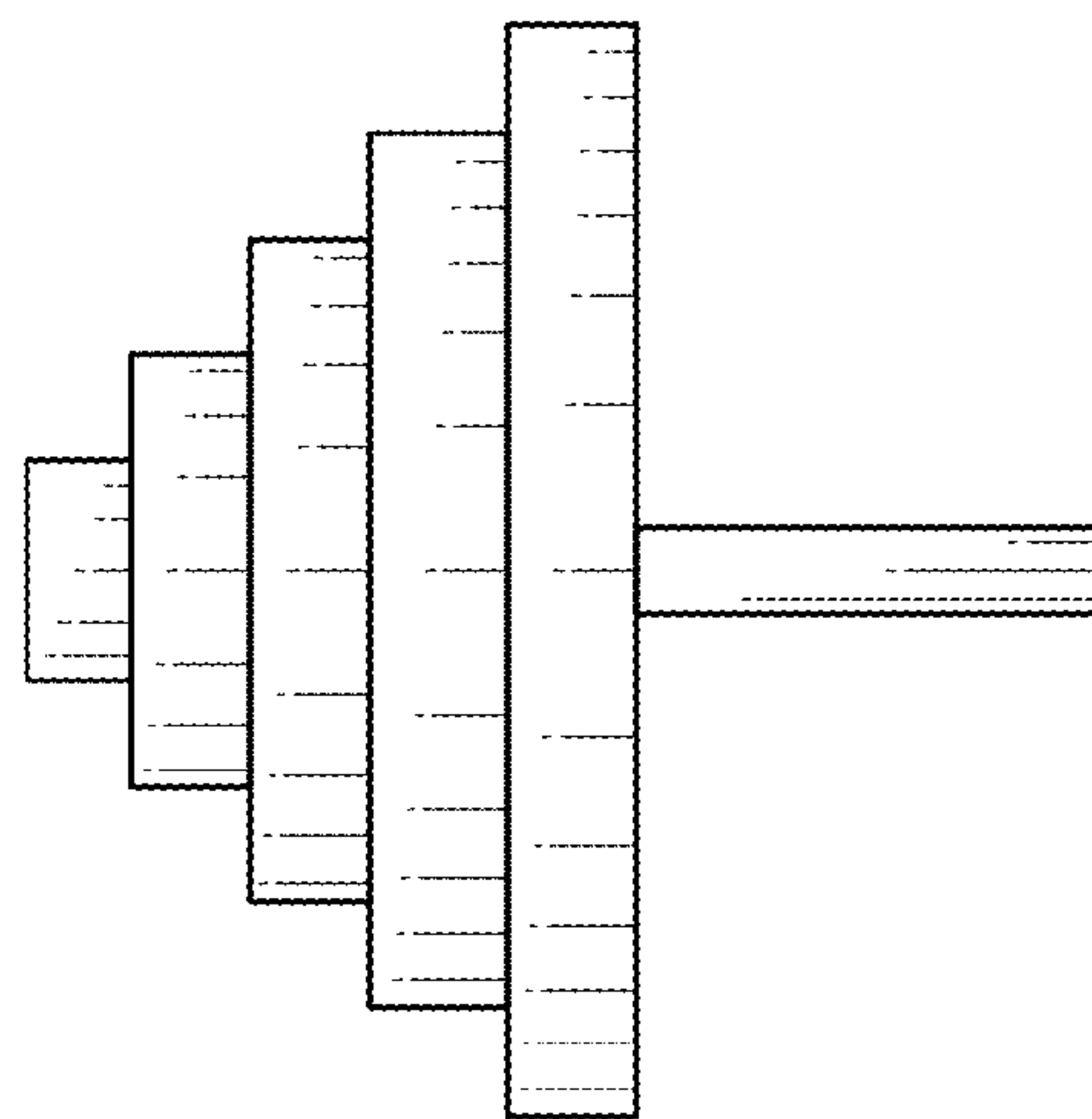


FIG. 4

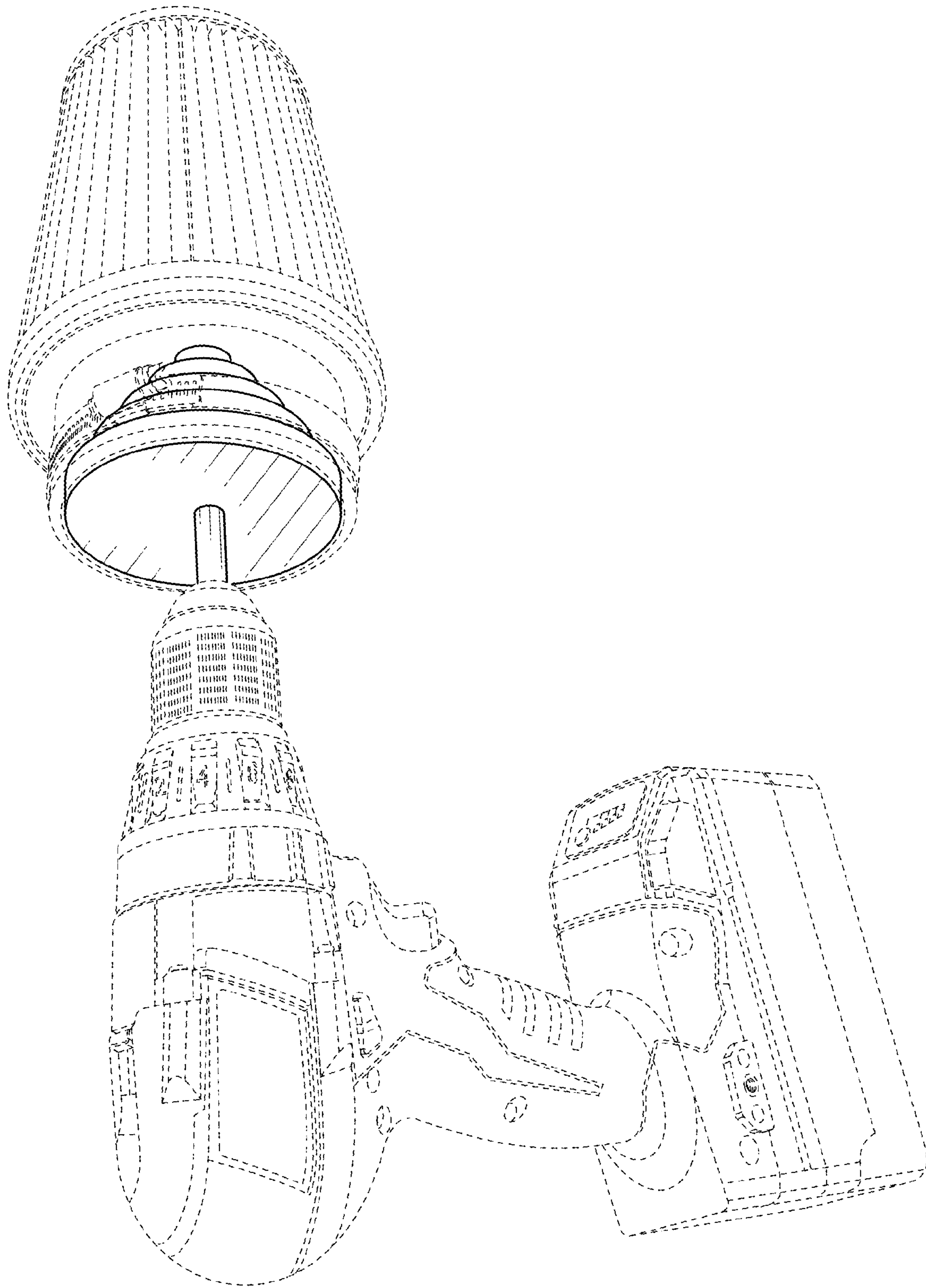


FIG. 5