



US00D935290S

(12) **United States Design Patent** (10) **Patent No.:** **US D935,290 S**  
**Steen et al.** (45) **Date of Patent:** **\*\* Nov. 9, 2021**

(54) **WRENCH**

(71) Applicant: **APEX BRANDS INC.**, Apex, NC (US)

(72) Inventors: **Noah Thomas Steen**, Apex, NC (US);  
**Kelsey David Gilmore**, Fuquay-Varina,  
NC (US); **Jeromy Elwood Higgins**,  
Apex, NC (US)

(73) Assignee: **APEX BRANDS, INC.**, Apex, NC  
(US)

(\*\*) Term: **15 Years**

(21) Appl. No.: **29/698,486**

(22) Filed: **Jul. 17, 2019**

(51) **LOC (13) Cl.** ..... **08-05**

(52) **U.S. Cl.**  
USPC ..... **D8/22; D8/21**

(58) **Field of Classification Search**  
USPC ..... D8/14, 16-19, 21-29, 51, 52, 54-59;  
81/125.1, 177.1, 119, 124.7, 124.3, 186,  
81/431, 176.15, 461.1, 99, 98, 100, 147  
CPC ..... B25B 13/14; B25B 13/06; B25B 13/04;  
B25B 13/46; B25B 13/00; B25B 7/02;  
B25B 13/48; B25B 13/16; B25B 13/505;  
B25B 13/5058; B25B 23/0007; B25B  
13/28

See application file for complete search history.

(56) **References Cited**

**U.S. PATENT DOCUMENTS**

607,320 A \* 7/1898 Young ..... B25B 13/22  
81/318  
2,594,684 A \* 4/1952 Rothe ..... B25B 13/12  
81/186  
3,280,667 A \* 10/1966 Woodling ..... B25B 13/16  
81/101  
D494,030 S \* 8/2004 Burry ..... D8/22  
D546,148 S \* 7/2007 Becker ..... D8/22  
D657,213 S \* 4/2012 Pond ..... D8/22

D748,958 S \* 2/2016 Chartier ..... D8/22  
D749,924 S \* 2/2016 Chartier ..... D8/22  
D750,944 S \* 3/2016 Chartier ..... D8/22

(Continued)

**FOREIGN PATENT DOCUMENTS**

CN 302494749 \* 12/2012  
CN 303851517 \* 3/2016  
CN 304002514 \* 7/2016  
CN 304972292 \* 7/2018

(Continued)

**OTHER PUBLICATIONS**

Ridgid Store, Ridgid 31020 Model 14 Heavy-Duty Straight Pipe  
Wrench, Date first available Sep. 14, 2004, [online] retrieved Oct.  
5, 2020, available from internet, [https://www.amazon.com/31020-Heavy-Duty-Straight-14-inch-Plumbing/dp/B0000224J8/ref=sr\\_1](https://www.amazon.com/31020-Heavy-Duty-Straight-14-inch-Plumbing/dp/B0000224J8/ref=sr_1) (Year:  
2004).\*

(Continued)

*Primary Examiner* — Keli L Hill

*Assistant Examiner* — Sara S Sahneh

(74) *Attorney, Agent, or Firm* — Burr & Forman, LLP

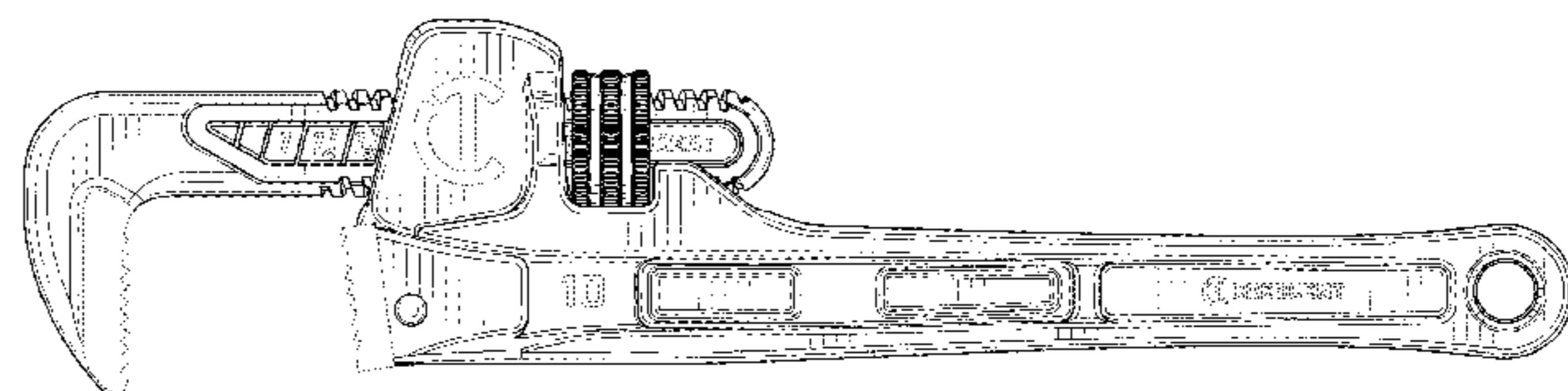
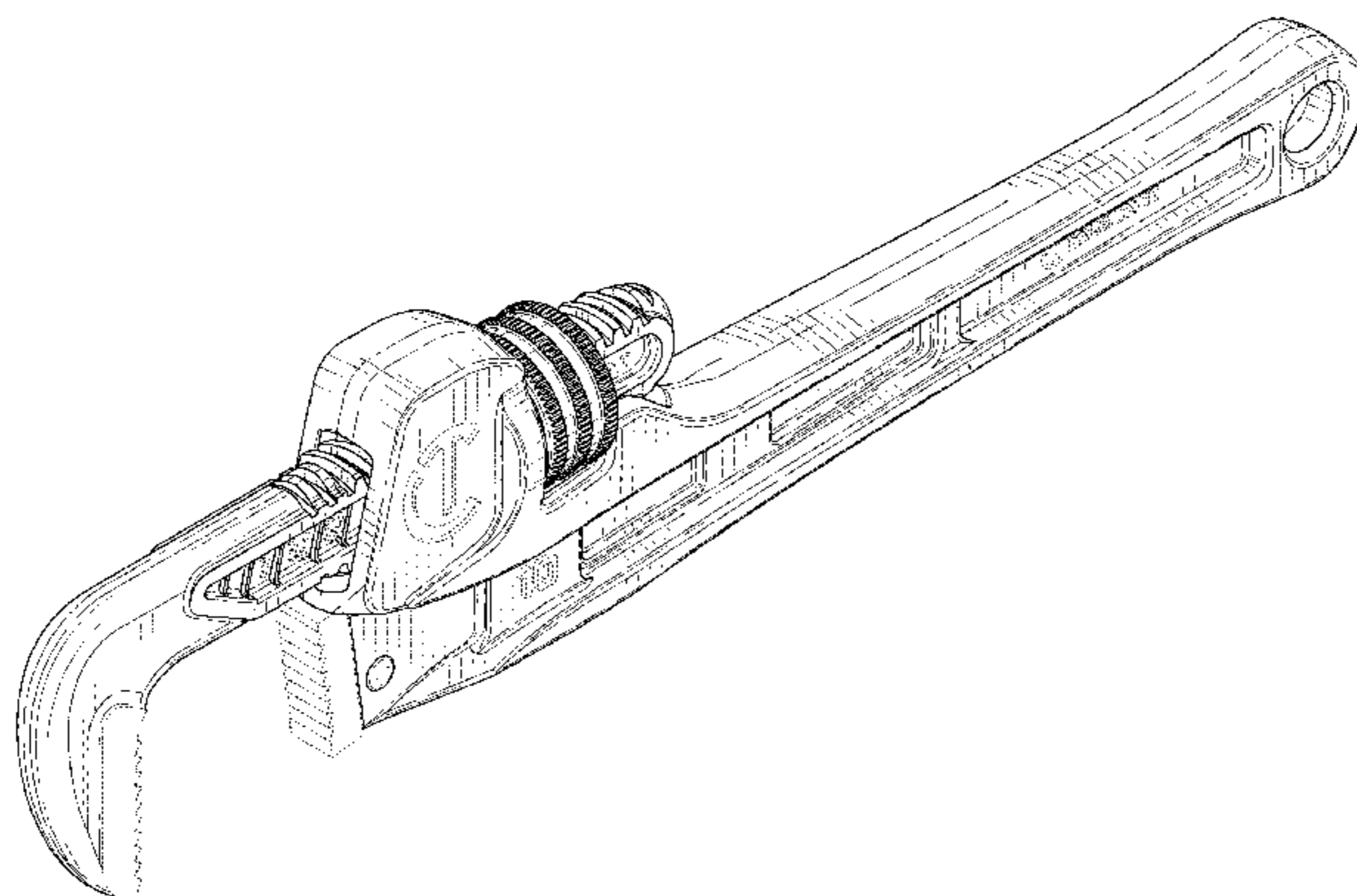
(57) **CLAIM**

The ornamental design for a wrench, as shown and  
described.

**DESCRIPTION**

FIG. 1 is a perspective view of a wrench in accordance with  
the embodiment of the present invention;  
FIG. 2 is a top view of the wrench of FIG. 1;  
FIG. 3 is a bottom view of the wrench of FIG. 1;  
FIG. 4 is a left side view of the wrench of FIG. 1;  
FIG. 5 is a right side view of the wrench of FIG. 1;  
FIG. 6 is a rear view of the wrench of FIG. 1; and,  
FIG. 7 is a front view of the wrench of FIG. 1.  
The broken lines of FIGS. 1-7 form no part of the claimed  
design.

**1 Claim, 5 Drawing Sheets**



(56)

**References Cited**

U.S. PATENT DOCUMENTS

2015/0290777 A1\* 10/2015 Tsai ..... B25B 1/241  
81/418  
2018/0161964 A1\* 6/2018 Su ..... B25B 13/14  
2019/0299372 A1\* 10/2019 Lownik ..... B25G 1/04  
2020/0180122 A1\* 6/2020 Nitchman ..... B25B 13/5058

FOREIGN PATENT DOCUMENTS

CN 304872857 \* 11/2018  
CN 305772038 \* 10/2019  
CN 305962552 \* 1/2020

OTHER PUBLICATIONS

Tradespro Store, 830914 14-Inch Heavy Duty Pipe Wrench, Date first available Jan. 16, 2007, [online]retrieved Oct. 6, 2020, available from internet, [https://www.amazon.com/Tradespro-830914-14-Inch-Heavy-Wrench/dp/B000TQYBJ6/ref=psdc\\_55](https://www.amazon.com/Tradespro-830914-14-Inch-Heavy-Wrench/dp/B000TQYBJ6/ref=psdc_55) (Year: 2017).\*

Hautmec Store, Professional 14 Inch Heavy Duty Straight Adjustable Cast Aluminum Pipe Wrench, Plumbing Wrench with 2-Inch Jaw Capacity, HT0021-PW, Date first available Jul. 9, 2018, [online]retrieved Oct. 6, 2020, available from internet, [https://www.amazon.com/dp/B07FCZLXZZ/ref=sspa\\_dk\\_detail\\_0?psc=1&p](https://www.amazon.com/dp/B07FCZLXZZ/ref=sspa_dk_detail_0?psc=1&p) (Year: 2018).\*

Irwin Store, Tools VISE-GRIP Pipe Wrench, Cast Iron, 6-Inch Jaw, 48-Inch Length (274108), Date first available Mar. 9, 2004, [online]retrieved Oct. 6, 2020, available from internet, [https://www.amazon.com/Tools-VISE-GRIP-Wrench-48-Inch-274108/dp/B0001VNWNA/ref=sr\\_1\\_11](https://www.amazon.com/Tools-VISE-GRIP-Wrench-48-Inch-274108/dp/B0001VNWNA/ref=sr_1_11) (Year: 2004).\*

\* cited by examiner

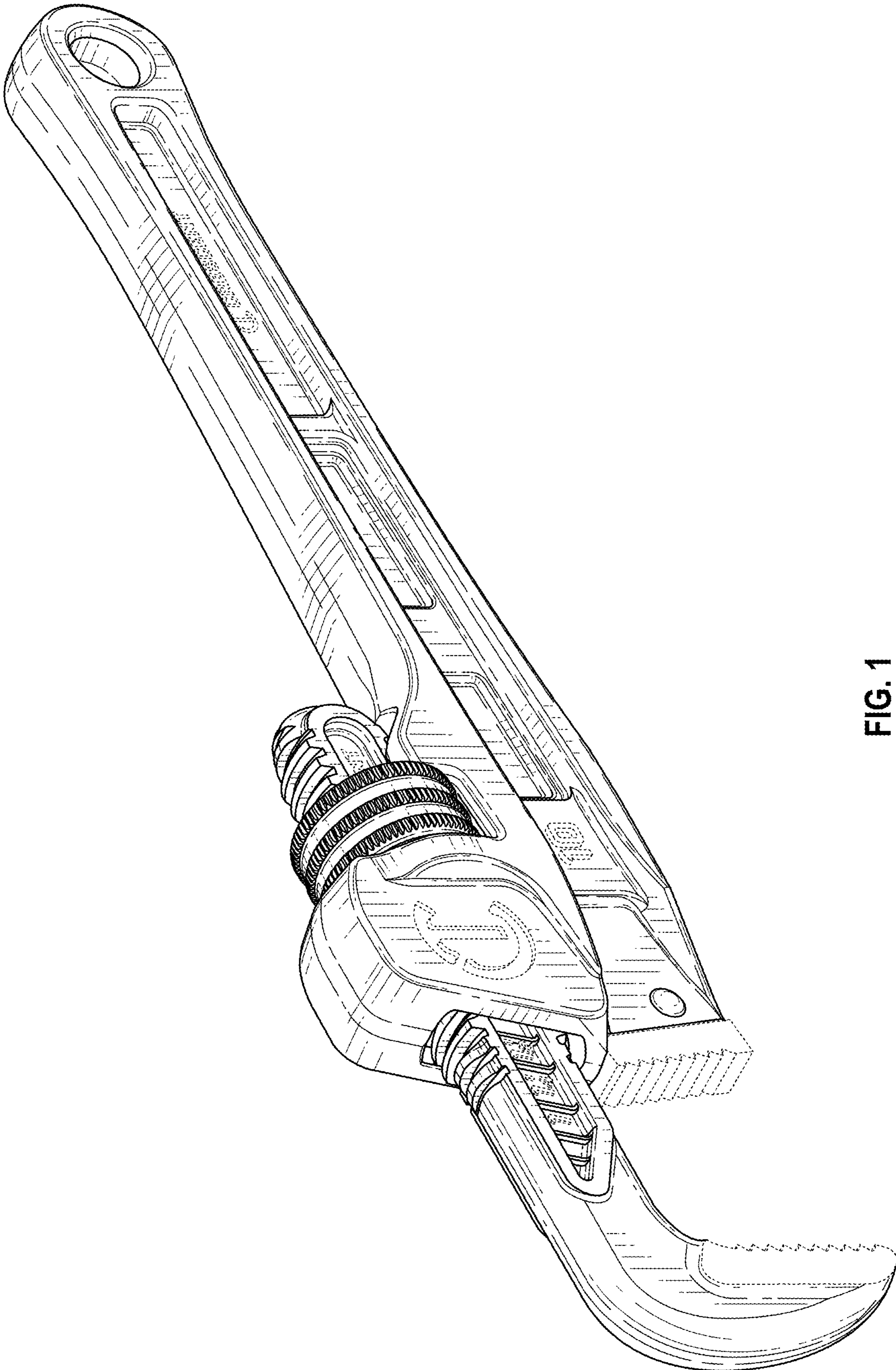


FIG. 1

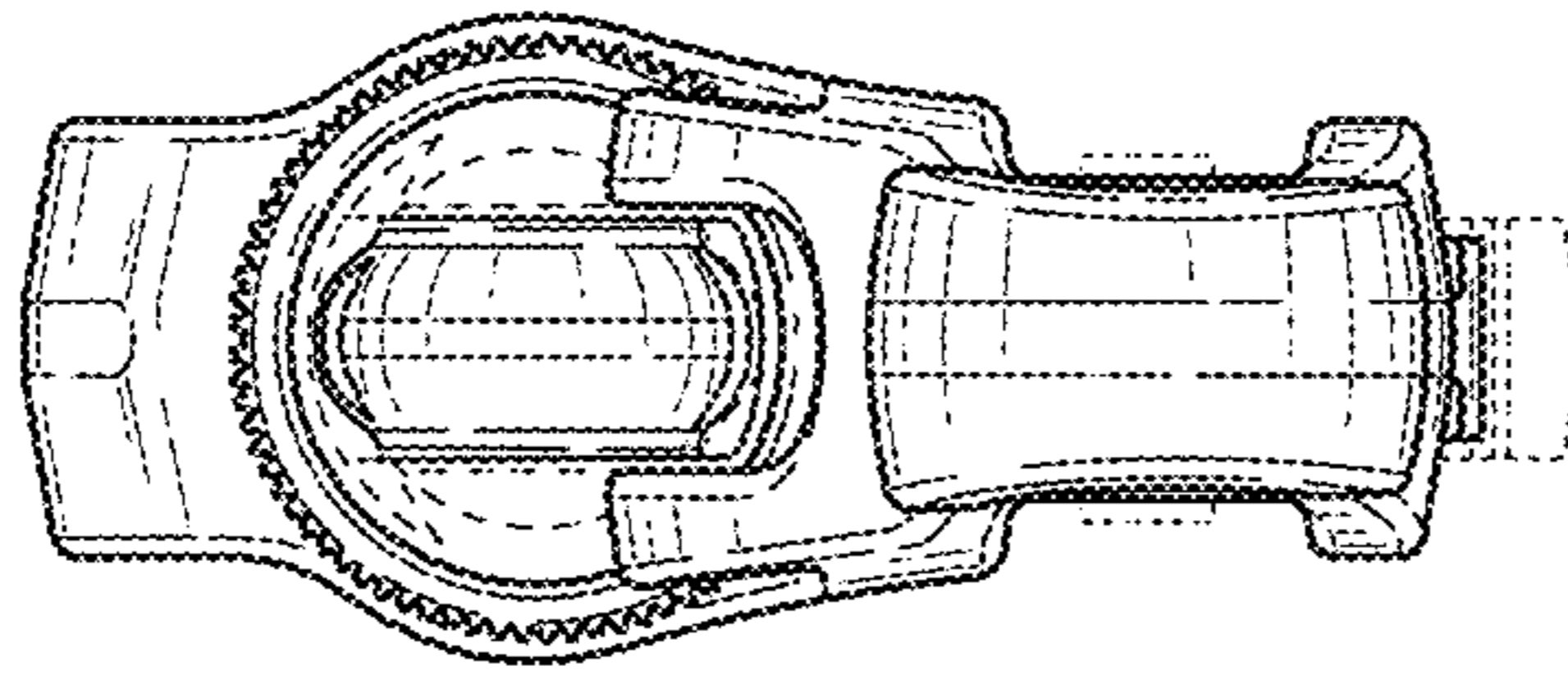


FIG. 2

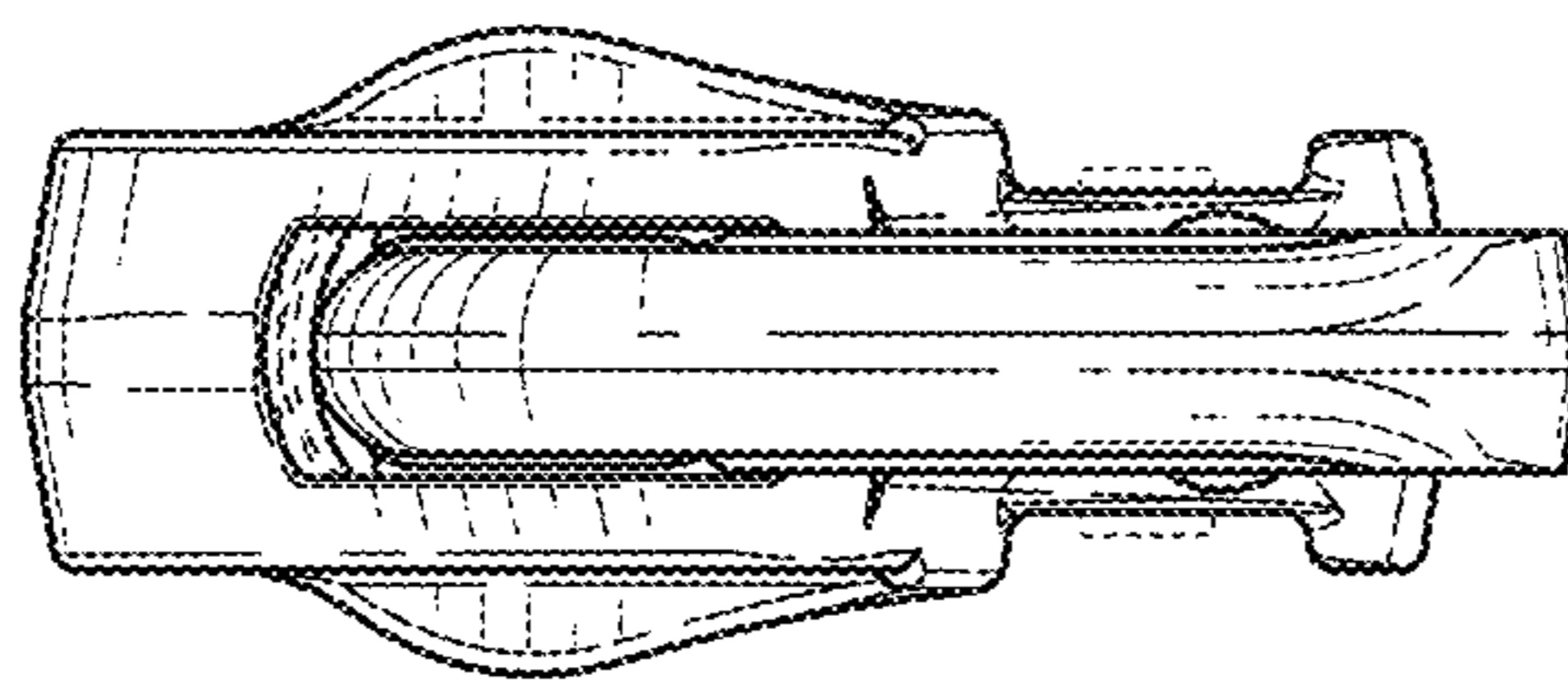


FIG. 3

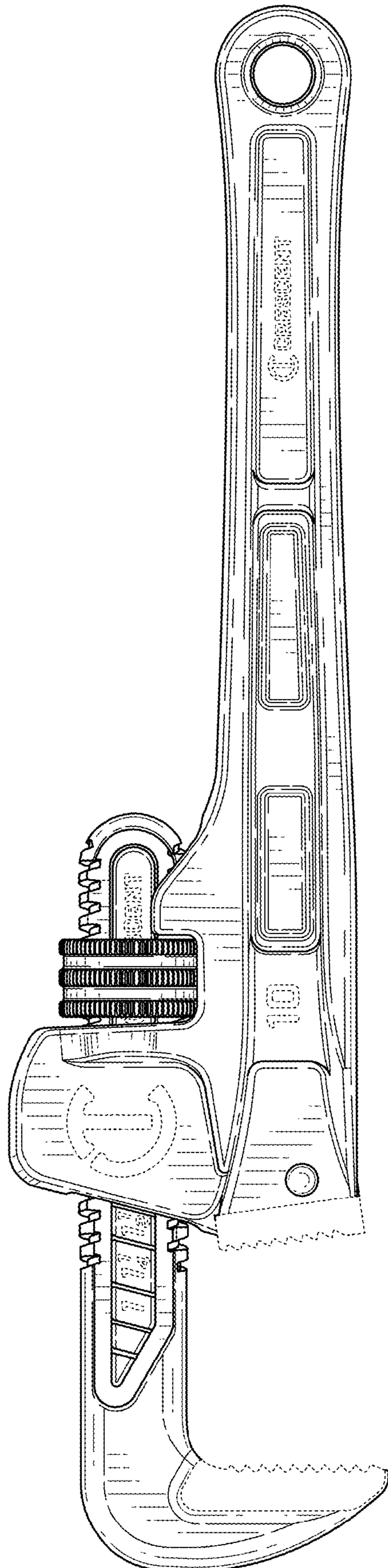


FIG. 4

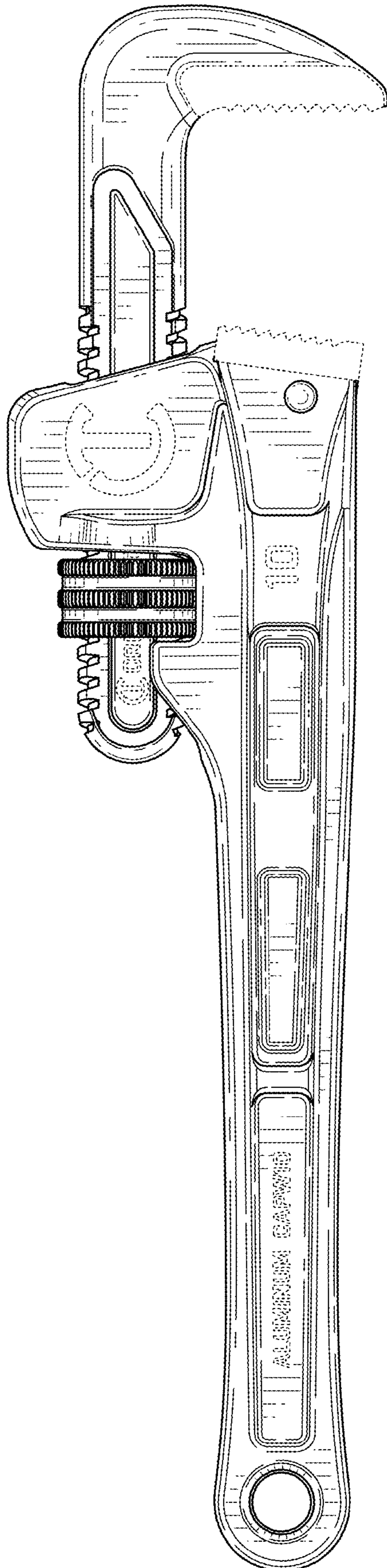


FIG. 5

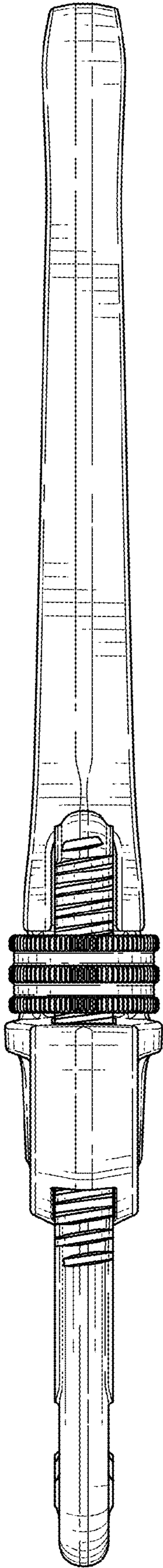


FIG. 6

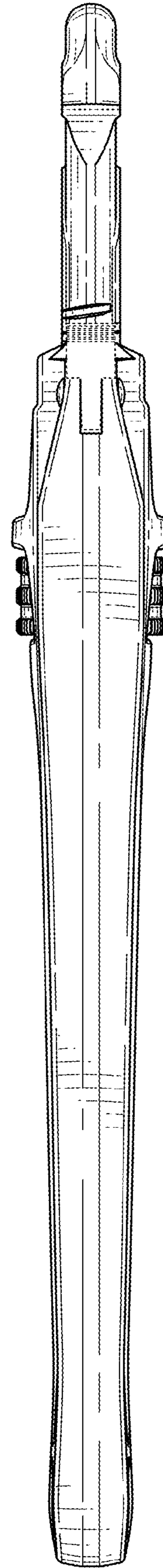


FIG. 7