



US00D935289S

(12) **United States Design Patent**
Holland et al.

(10) **Patent No.:** **US D935,289 S**

(45) **Date of Patent:** **** Nov. 9, 2021**

- (54) **O-RING INSTALLATION DEVICE**
- (71) Applicant: **Service, Order, Supply Components LLC, Austin, TX (US)**
- (72) Inventors: **Stuart Sumner Holland, Austin, TX (US); Cynthia Ann Perez, Austin, TX (US)**
- (73) Assignee: **Service, Order, Supply Components LLC, Austin, TX (US)**

D498,397 S *	11/2004	Mitchell	D8/14
6,875,162 B2 *	4/2005	Barksdale	E04D 5/145 492/13
D552,952 S *	10/2007	Horner	D8/14
D556,526 S *	12/2007	Horner	D8/14
7,588,523 B2 *	9/2009	Horner	B29C 65/10 15/230.11
D661,168 S *	6/2012	Furling	D8/51
D661,491 S *	6/2012	Bunnag	D4/122
D665,642 S *	8/2012	Furling	D8/51
D706,601 S *	6/2014	Thurston	D8/51
D738,698 S *	9/2015	Calman	D8/51
10,378,144 B2 *	8/2019	Hawley	D06F 71/30

(**) Term: **15 Years**

* cited by examiner

(21) Appl. No.: **29/736,676**

Primary Examiner — Philip S Hyder

(22) Filed: **Jun. 2, 2020**

(74) *Attorney, Agent, or Firm* — Lee & Hayes, P.C.

(51) **LOC (13) Cl.** **08-05**

(57) **CLAIM**

(52) **U.S. Cl.**
USPC **D8/21**

The ornamental design for an o-ring installation device, as shown.

(58) **Field of Classification Search**
USPC D8/14, 45, 51, 98; D32/35, 40;
D24/214; D4/122
CPC B29C 66/8362; E04D 15/04; E04F 22/00;
E04F 21/00; A47G 27/0487
See application file for complete search history.

DESCRIPTION

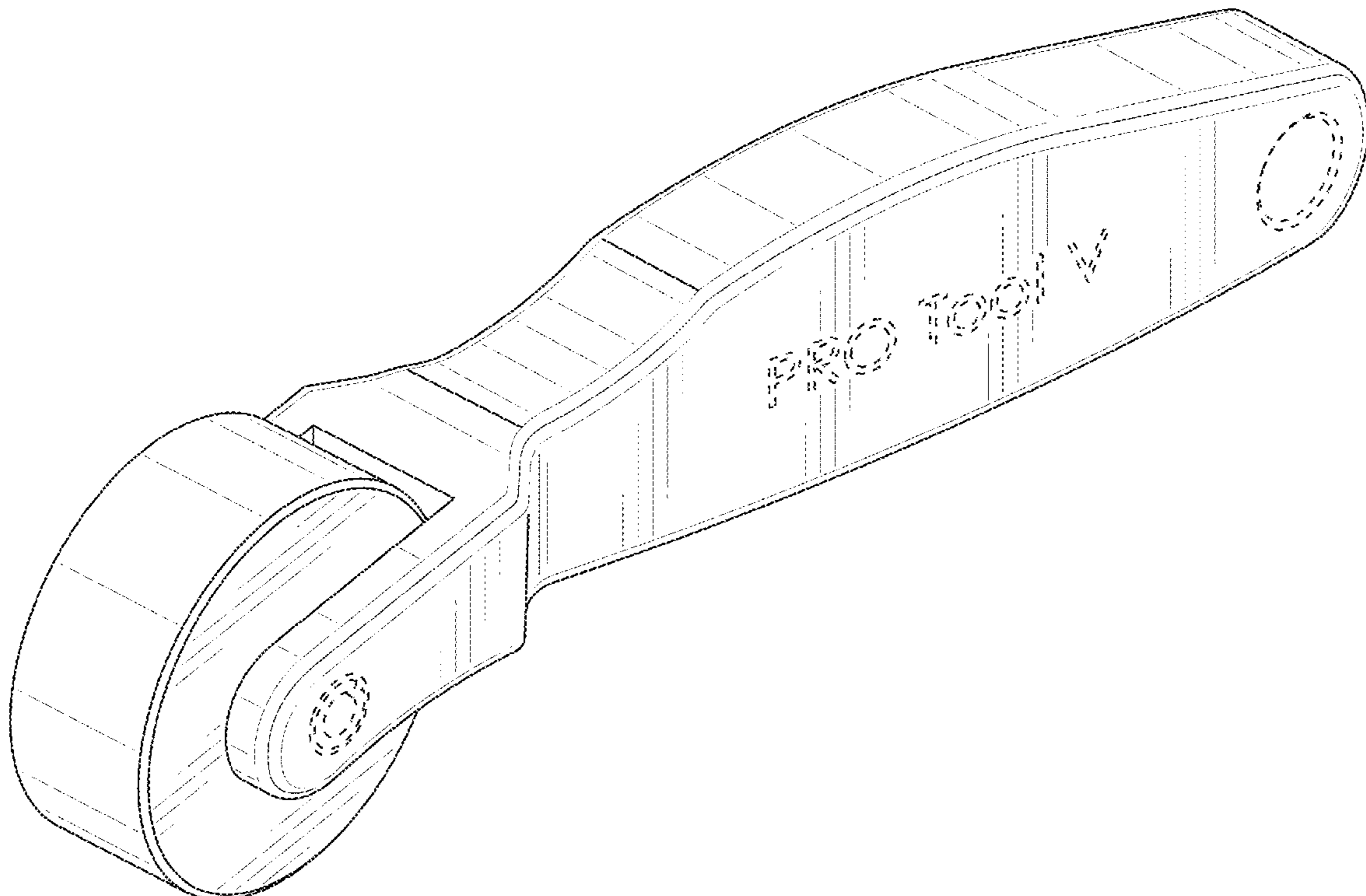
(56) **References Cited**

U.S. PATENT DOCUMENTS

1,510,034 A *	9/1924	Brader	B44C 7/08 492/13
4,894,112 A *	1/1990	Lippman	B29C 66/91641 156/308.4

FIG. 1 is a perspective view of an o-ring installation device, showing the new design'
FIG. 2 is a front elevation view thereof;
FIG. 3 is a rear elevation view thereof;
FIG. 4 is a left side elevation view thereof;
FIG. 5 is a right side elevation view thereof;
FIG. 6 is a top plan view thereof; and,
FIG. 7 is a bottom plan view thereof.
The dashed broken lines depict portions of the device which form no part of the claimed design.

1 Claim, 7 Drawing Sheets



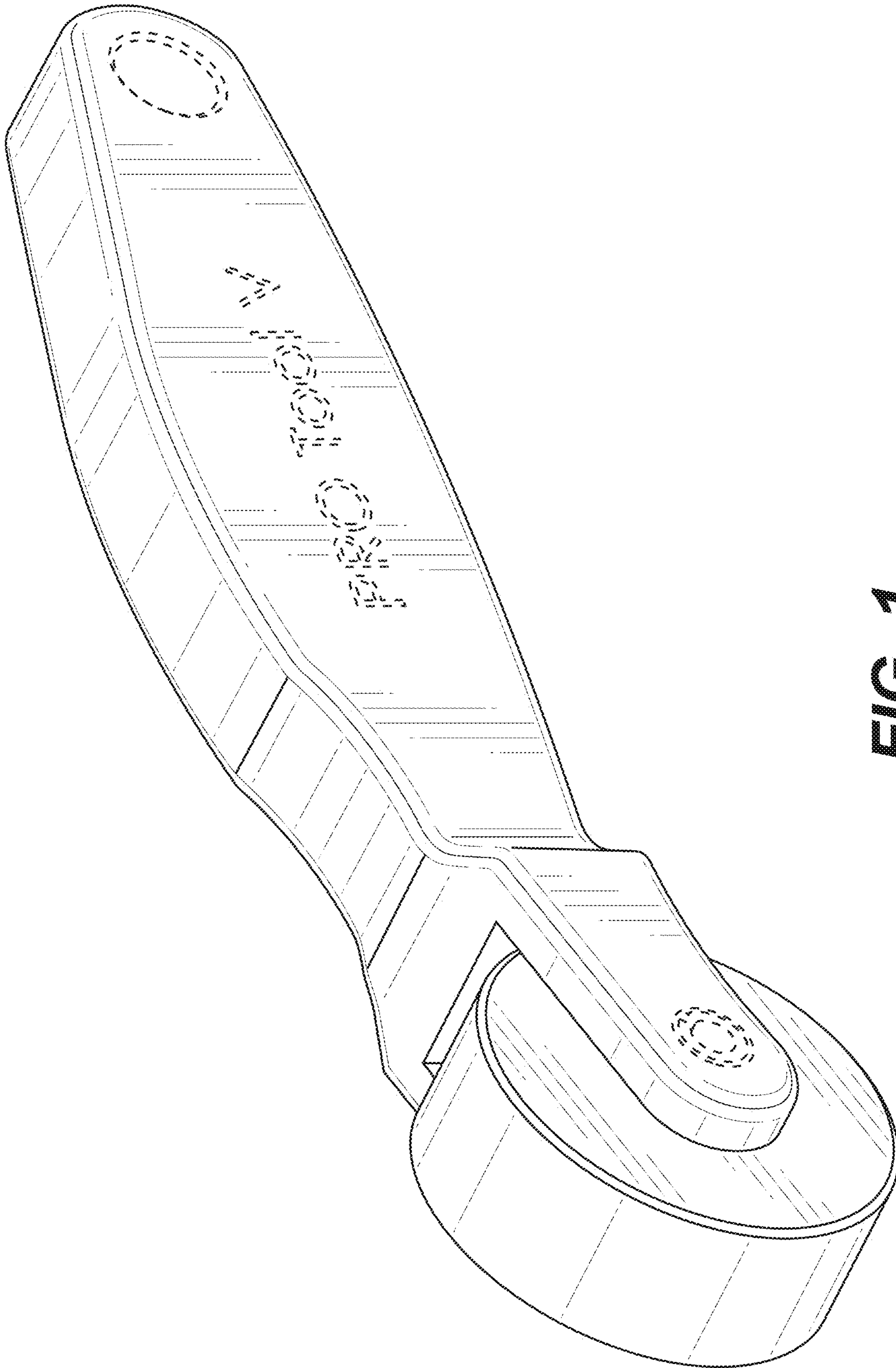


FIG. 1

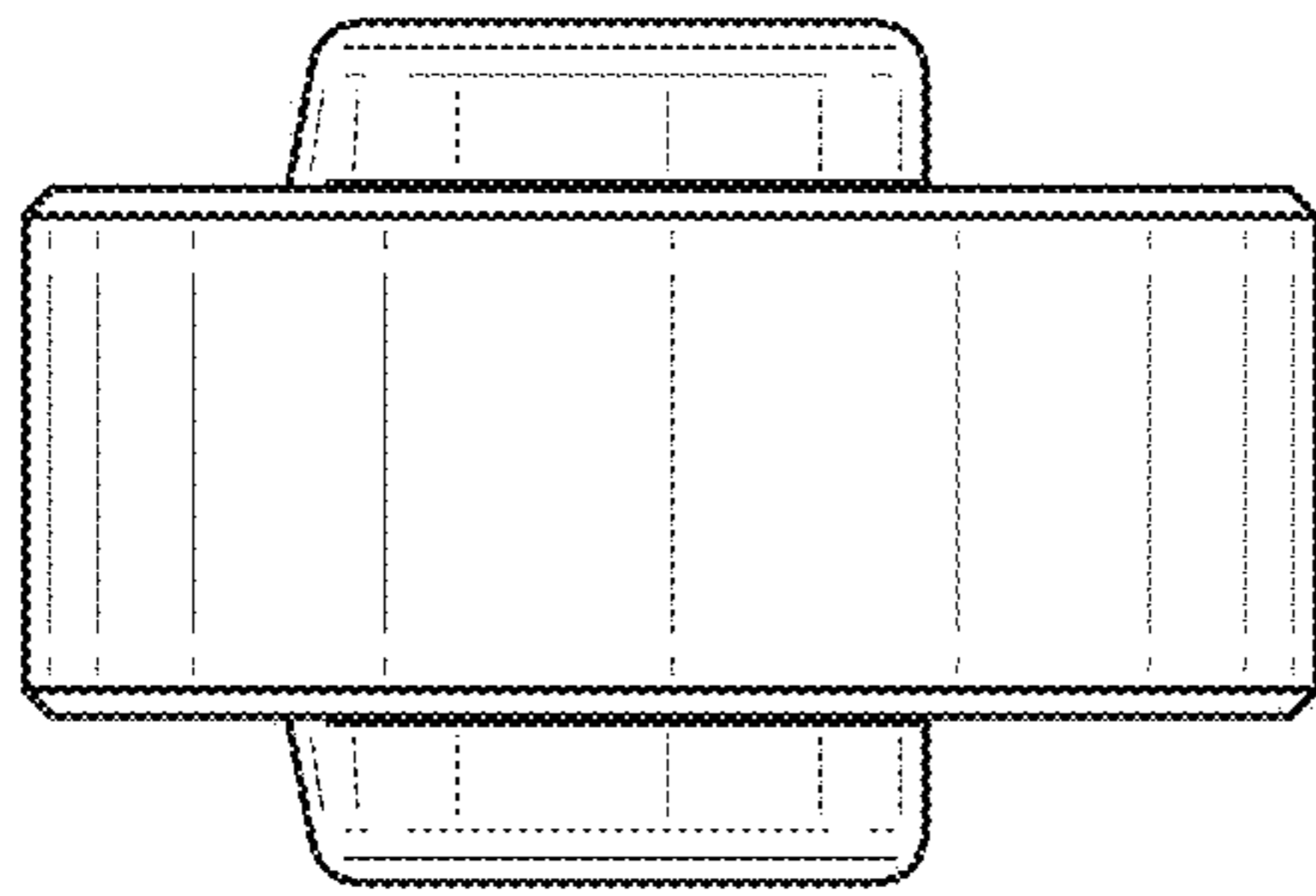


FIG. 2

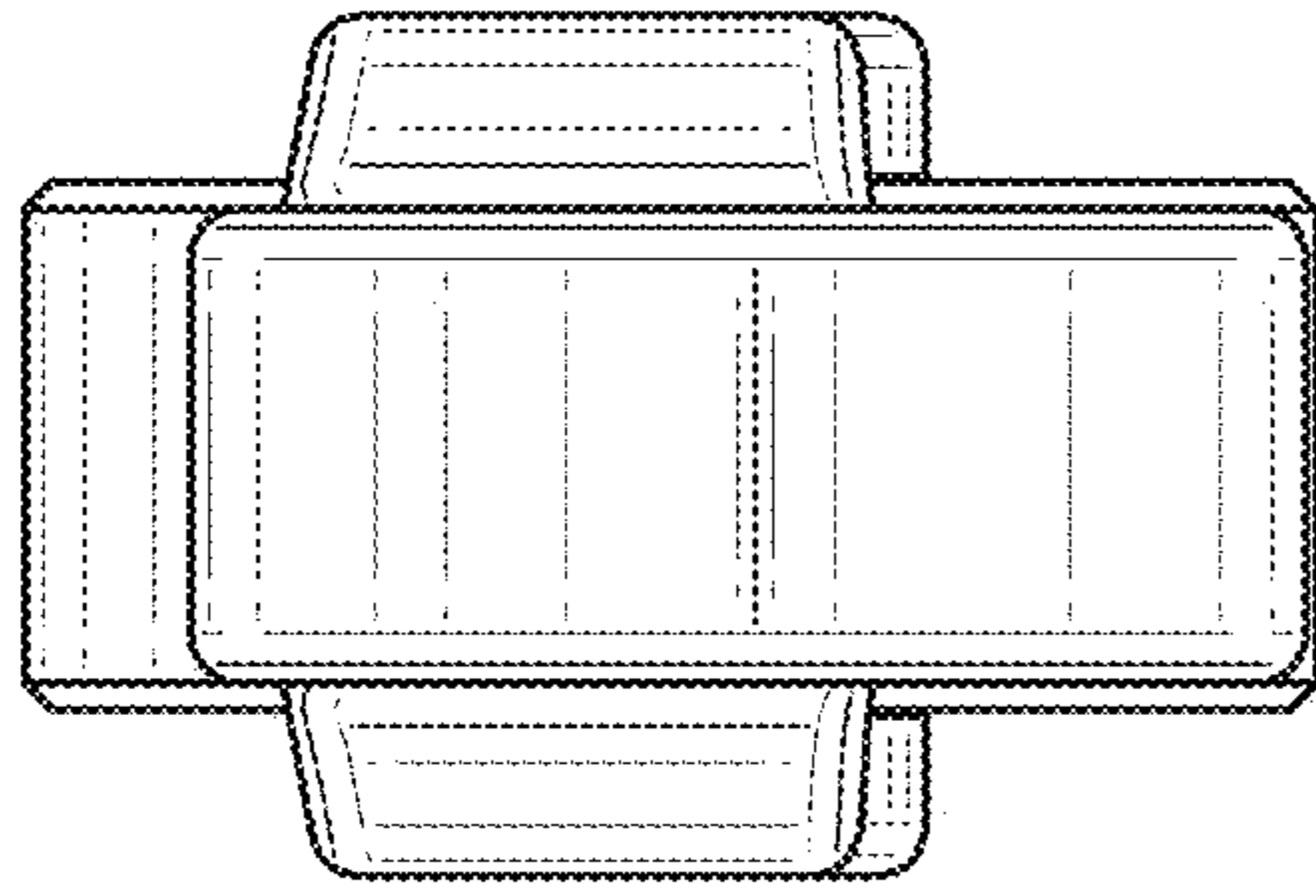


FIG. 3

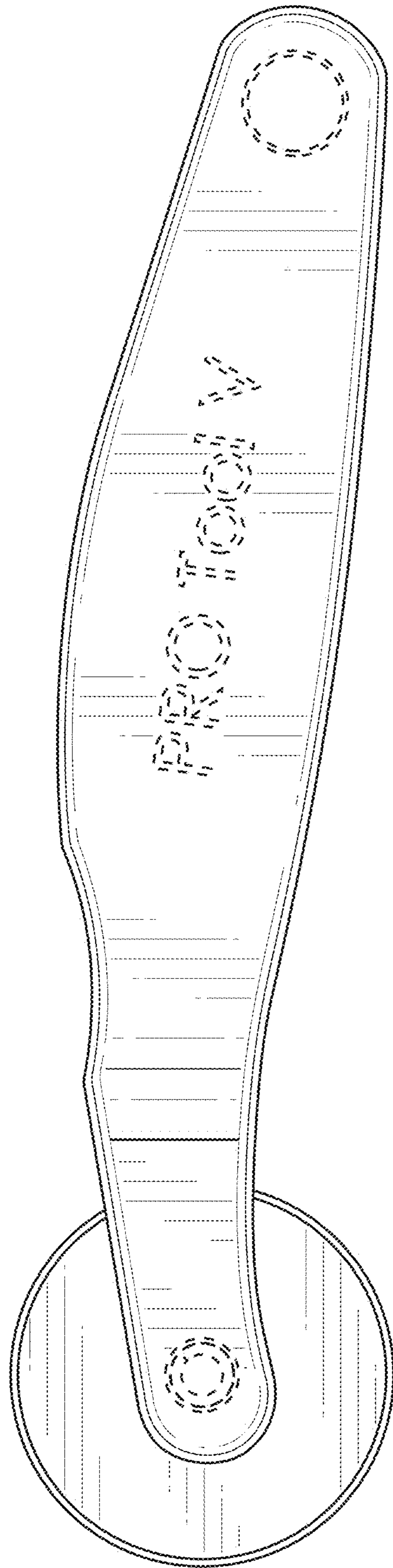


FIG. 4

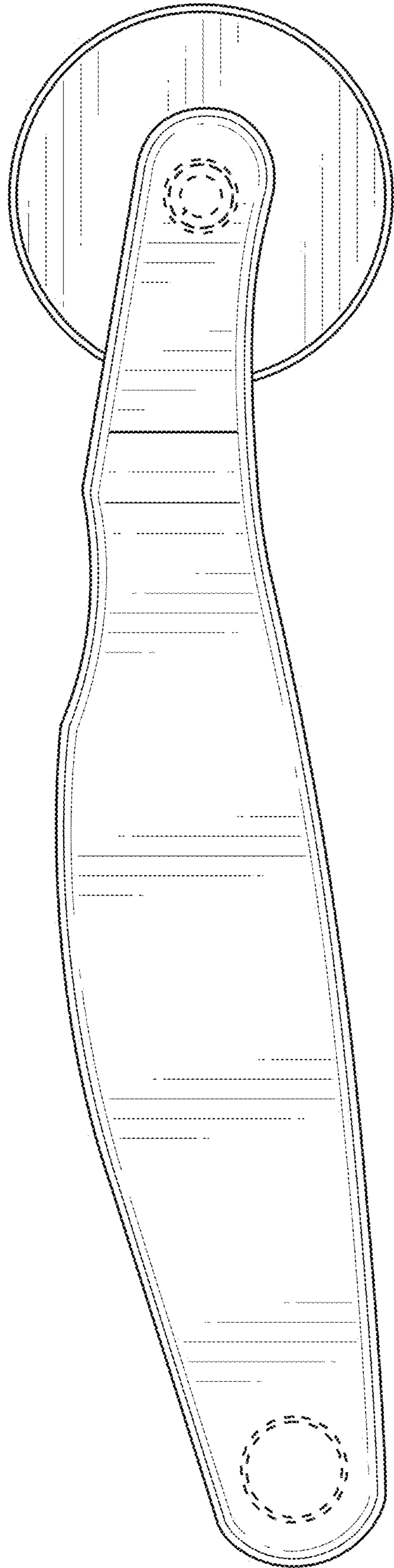


FIG. 5

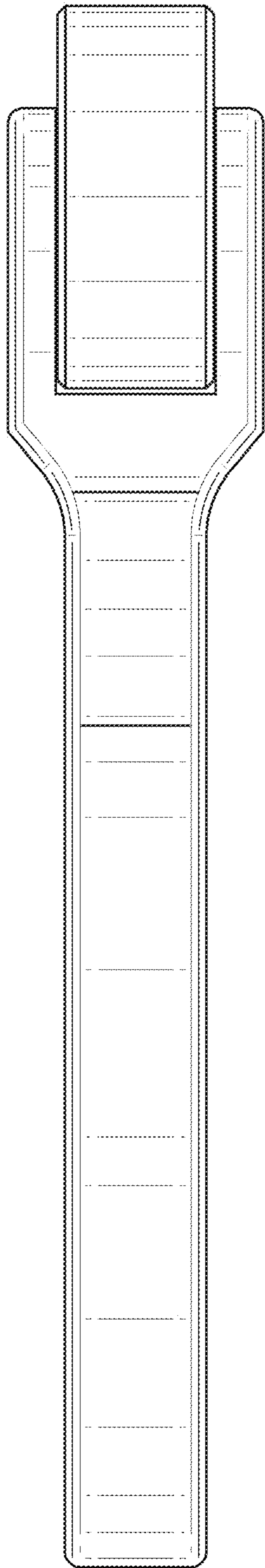


FIG. 6

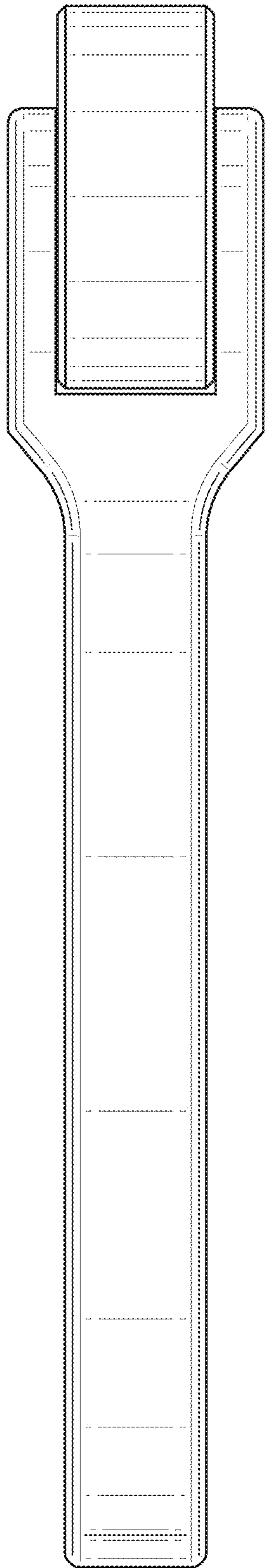


FIG. 7