



US00D935288S

(12) **United States Design Patent** (10) **Patent No.:** **US D935,288 S**  
**Lu** (45) **Date of Patent:** **\*\* Nov. 9, 2021**

(54) **PEELER**  
(71) Applicant: **Tao Lu**, Xianyou (CN)  
(72) Inventor: **Tao Lu**, Xianyou (CN)  
(\*\*) Term: **15 Years**  
(21) Appl. No.: **29/769,761**  
(22) Filed: **Feb. 8, 2021**  
(51) **LOC (13) Cl.** ..... **07-06**  
(52) **U.S. Cl.**  
USPC ..... **D7/695**  
(58) **Field of Classification Search**  
USPC ..... D7/693, 695, 669, 368  
CPC .. A47J 17/02; A47J 17/00; A47J 17/04; A47J  
17/08; A47J 43/00; B26B 27/002  
See application file for complete search history.

(56) **References Cited**  
U.S. PATENT DOCUMENTS  
2,266,278 A \* 12/1941 Senkewitz ..... A47J 17/02  
30/280  
2,274,815 A \* 3/1942 Whann ..... A47J 17/02  
30/279.6  
2,645,851 A \* 7/1953 Ferrin ..... A47J 17/02  
30/280  
2,986,813 A \* 6/1961 De Vault ..... A47J 17/02  
30/280

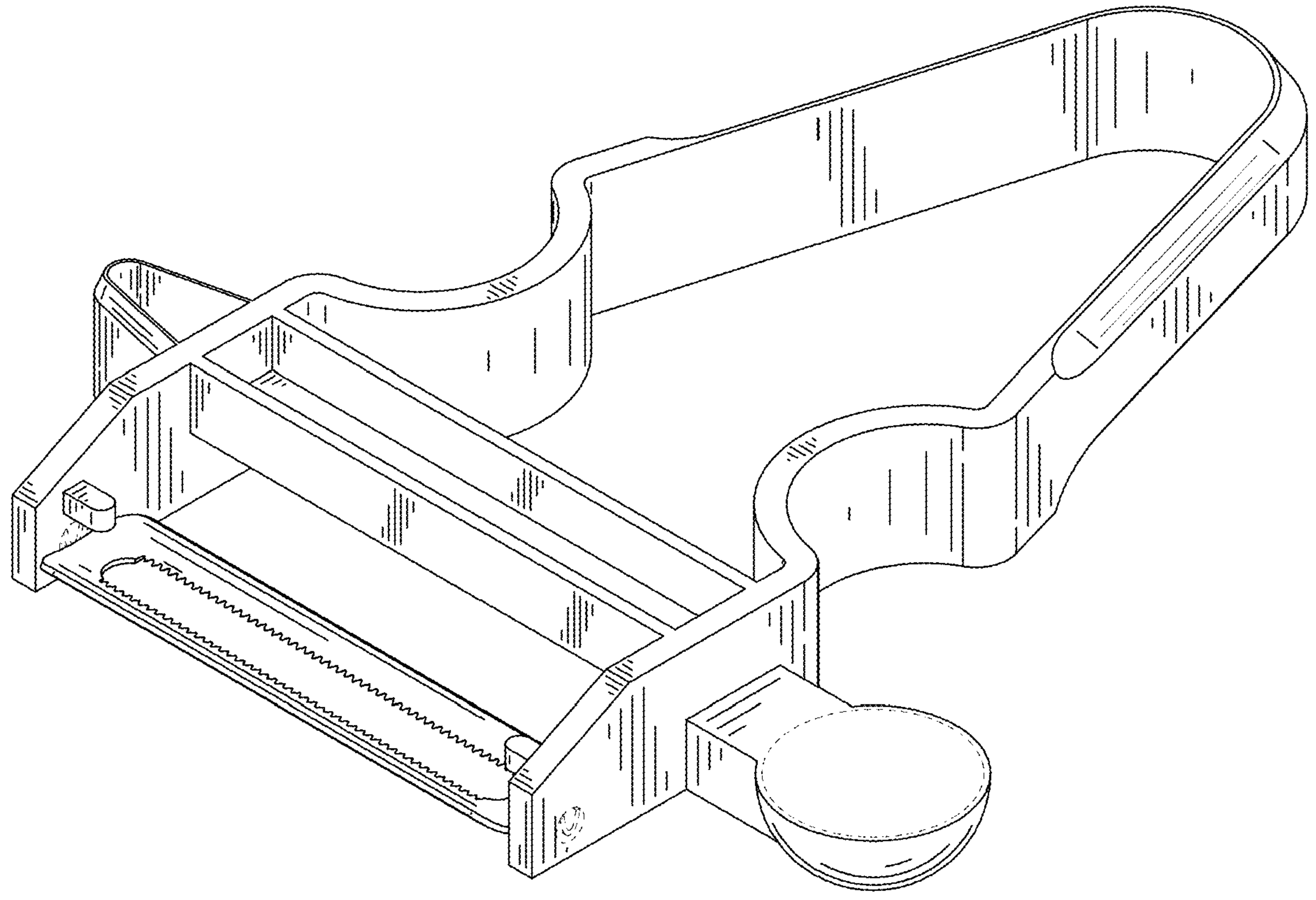
6,619,194 B1 \* 9/2003 Kuan ..... A47J 17/02  
30/123.5  
D674,253 S 1/2013 Spiegel  
D674,254 S 1/2013 Spiegel  
D720,191 S 12/2014 Bhasin

\* cited by examiner  
*Primary Examiner* — Terry A Wallace

(57) **CLAIM**  
The ornamental design for a peeler, as shown and described.

**DESCRIPTION**  
FIG. 1 is a first perspective view of a peeler showing my new design;  
FIG. 2 is a second perspective view thereof;  
FIG. 3 is a front view thereof;  
FIG. 4 is a back view thereof;  
FIG. 5 is a left side view thereof;  
FIG. 6 is a right side view thereof;  
FIG. 7 is a top view thereof; and,  
FIG. 8 is a bottom view thereof.  
The broken lines shown in the drawings depict portions of the peeler in which the design is embodied that form no part of the claimed design.

**1 Claim, 8 Drawing Sheets**



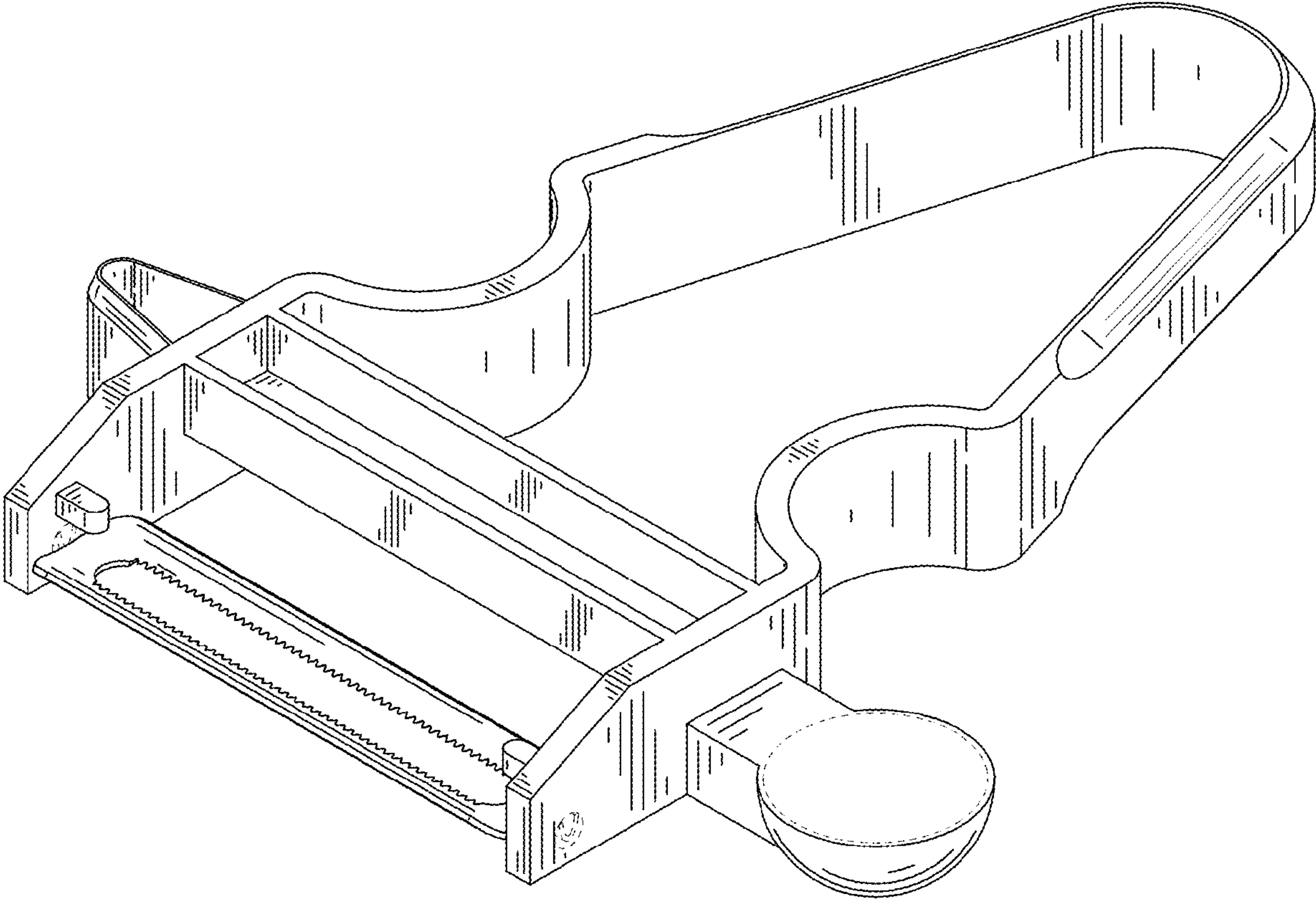


FIG. 1

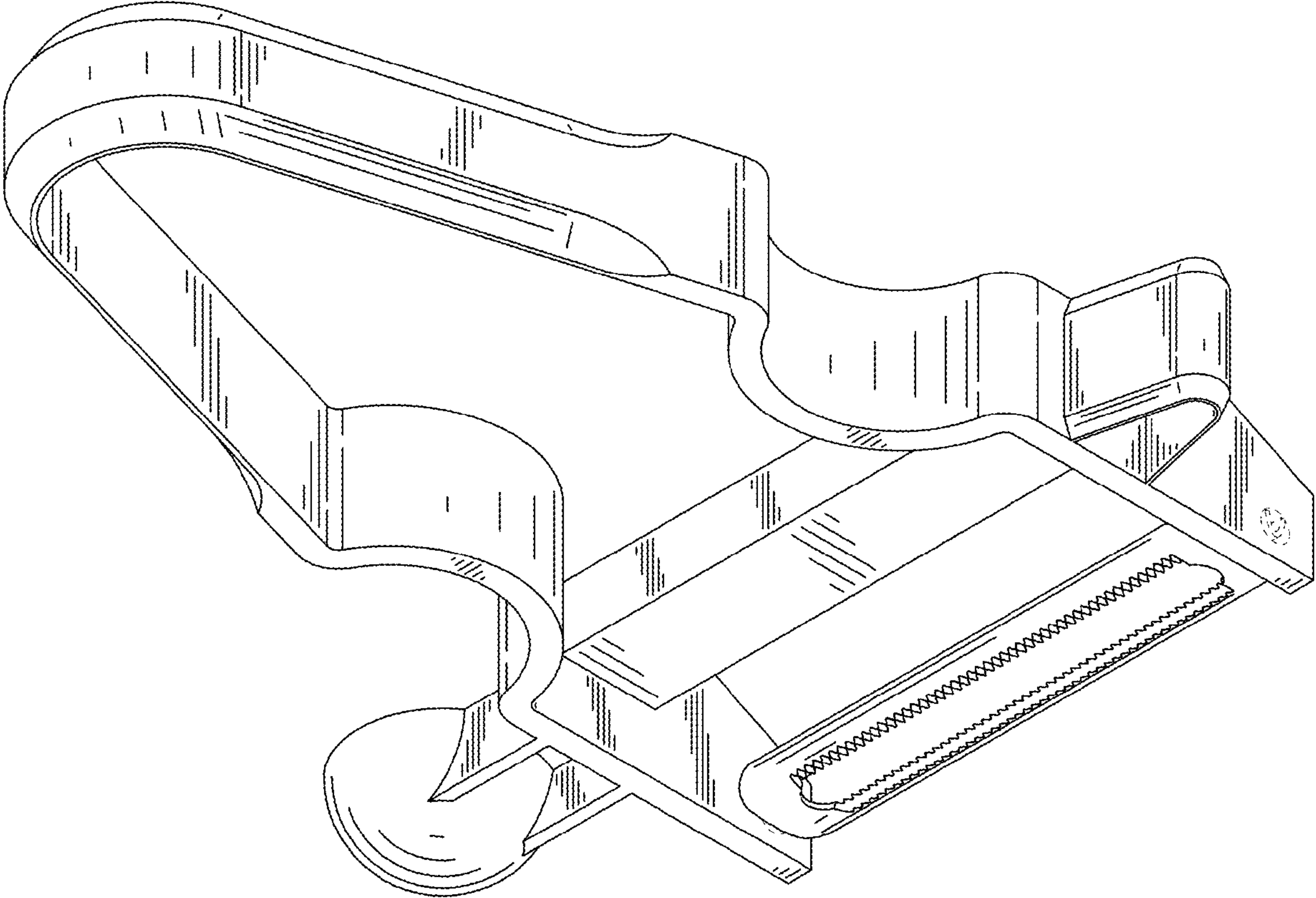


FIG. 2

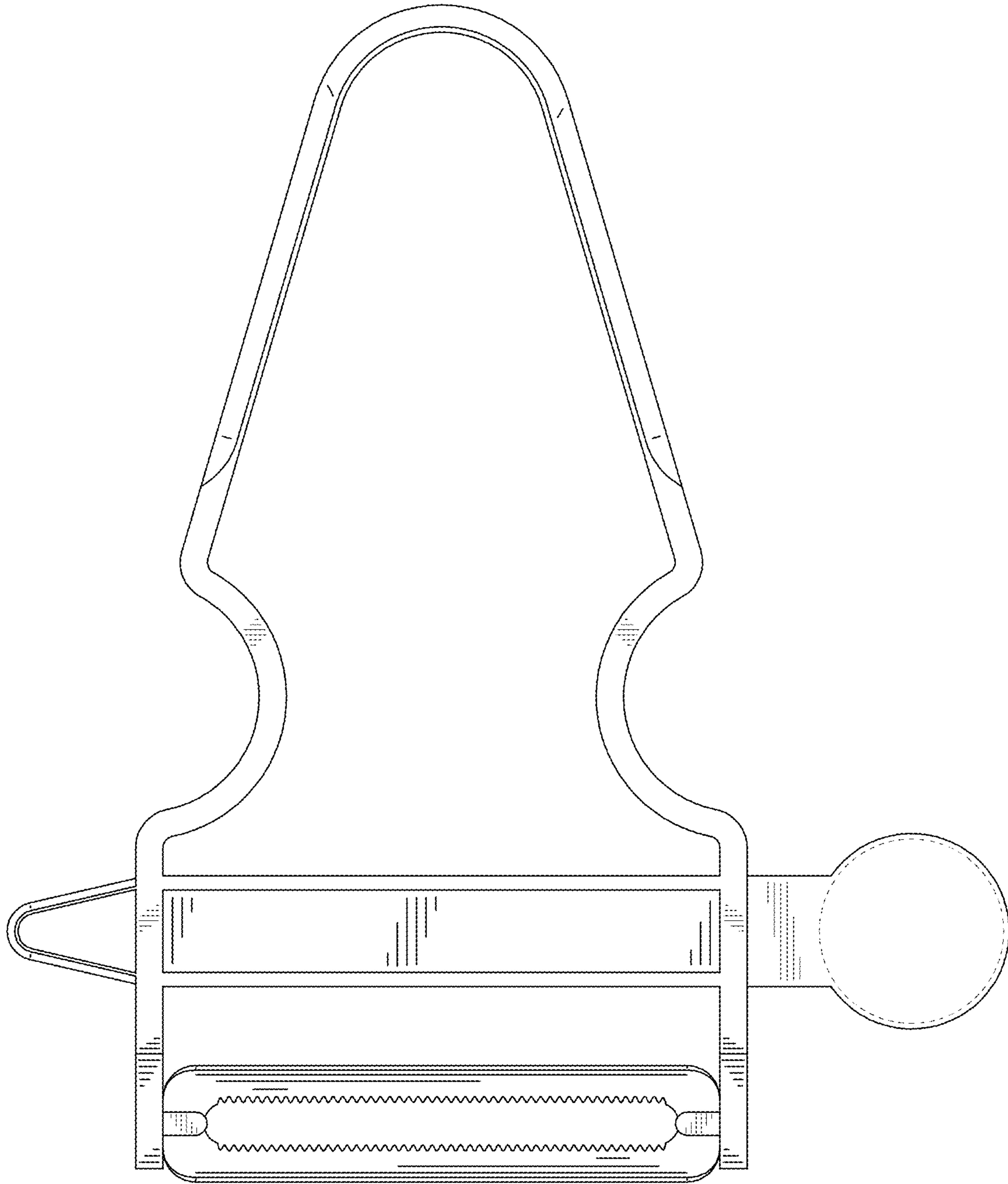


FIG. 3



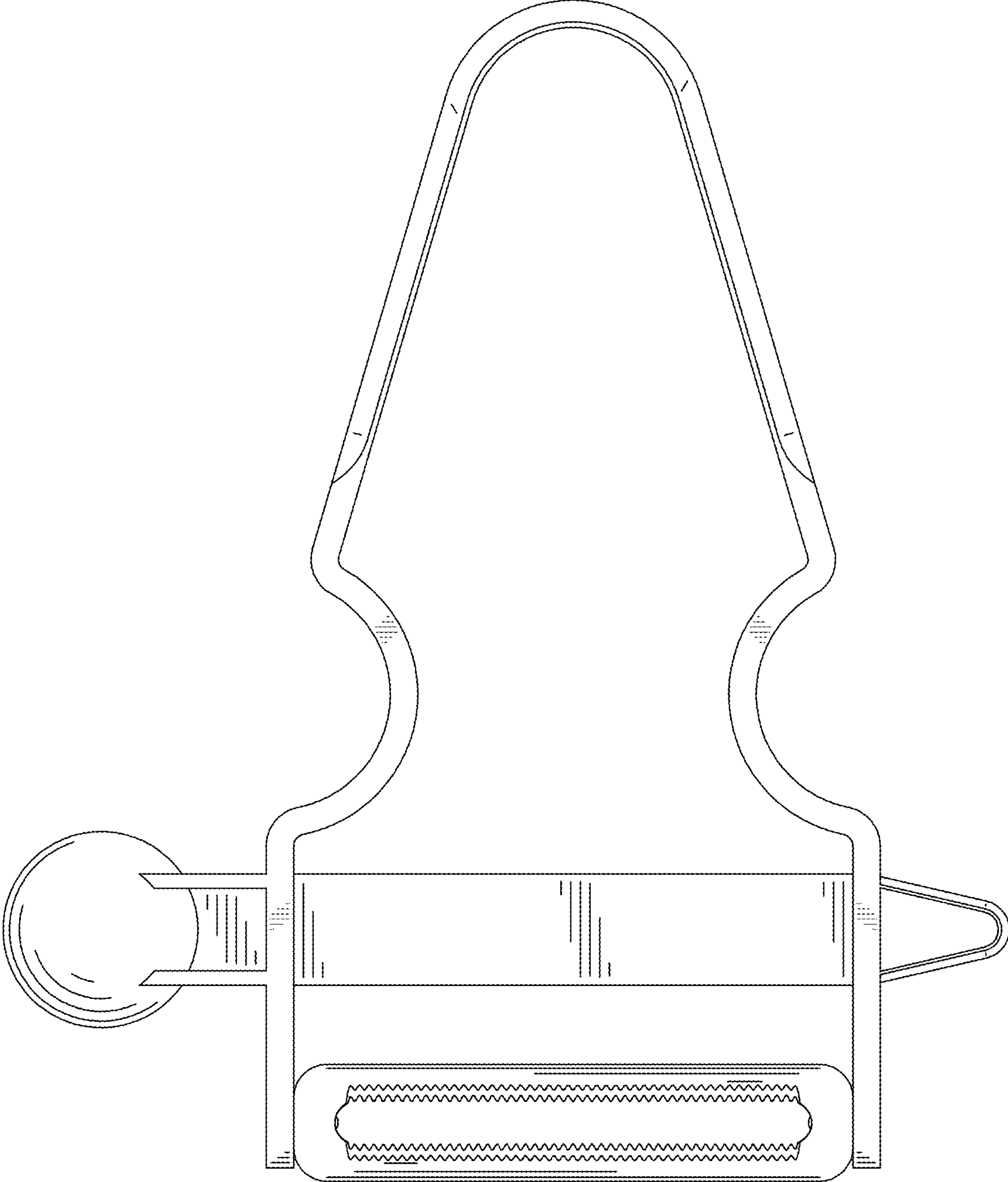


FIG. 4

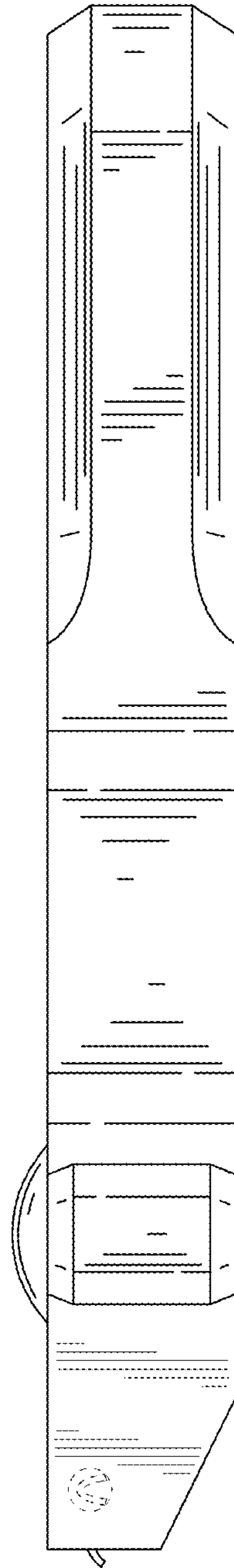


FIG. 5

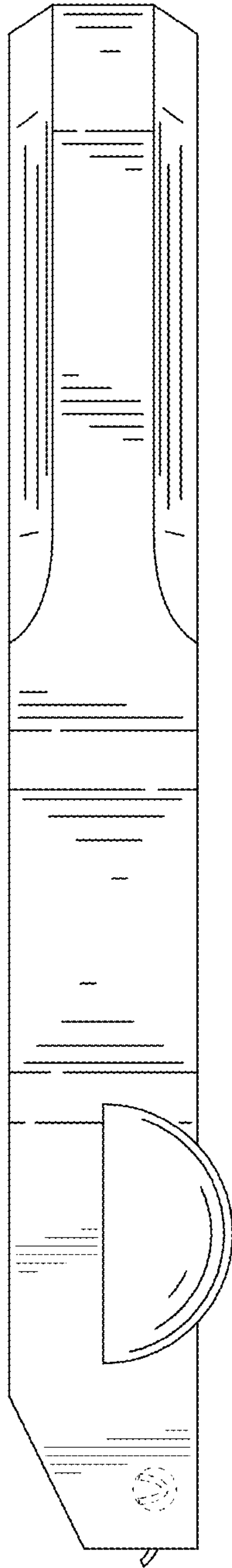


FIG. 6

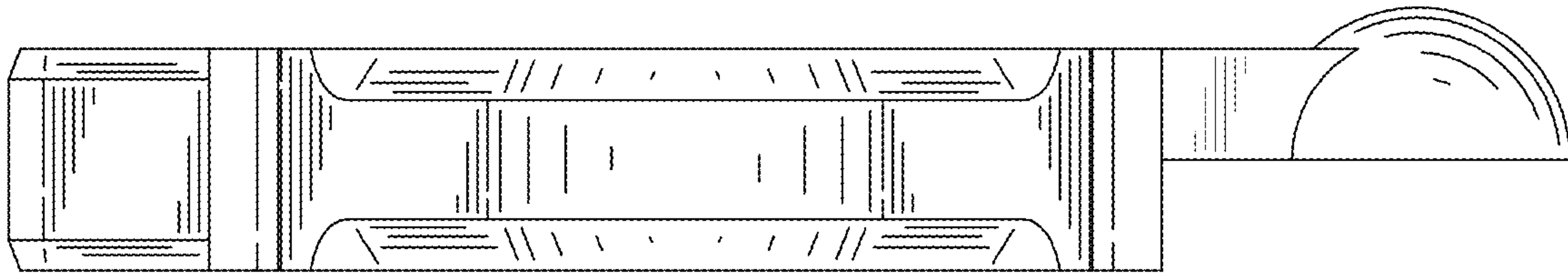


FIG. 7



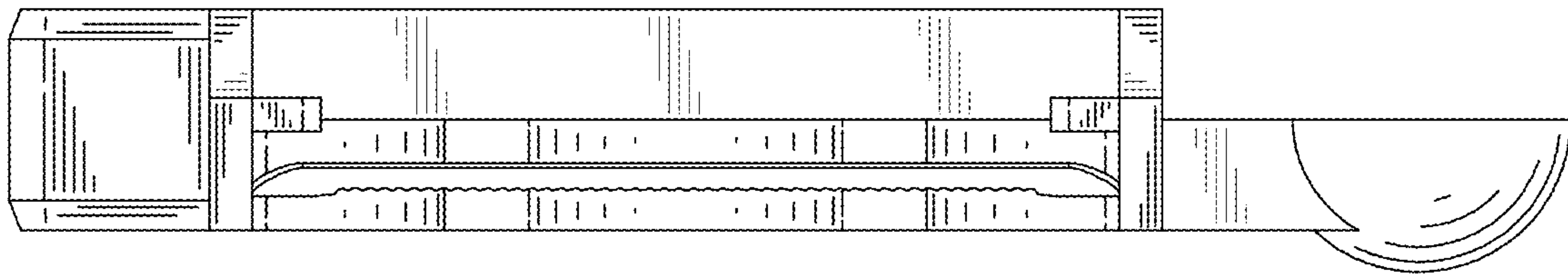


FIG. 8