



US00D935286S

(12) **United States Design Patent** (10) **Patent No.:** **US D935,286 S**  
**Lu** (45) **Date of Patent:** **\*\* Nov. 9, 2021**

(54) **GARLIC PRESS**

8,322,277 B2 \* 12/2012 Griffith ..... A47J 19/06  
100/234

(71) Applicant: **Tao Lu**, Xianyou (CN)

D791,552 S 7/2017 Rose  
2018/0220848 A1 \* 8/2018 Ebrahim ..... A47J 19/005

(72) Inventor: **Tao Lu**, Xianyou (CN)

\* cited by examiner

(\*\*) Term: **15 Years**

*Primary Examiner* — Terry A Wallace

(21) Appl. No.: **29/769,763**

(57) **CLAIM**

(22) Filed: **Feb. 8, 2021**

The ornamental design for a garlic press, as shown and described.

(51) **LOC (13) Cl.** ..... **07-04**

(52) **U.S. Cl.**

**DESCRIPTION**

USPC ..... **D7/666**

(58) **Field of Classification Search**

USPC ..... D7/669, 368, 665, 666

CPC ..... A47J 19/005; A47J 19/06; A47J 19/04;

A47J 19/00; A47J 43/286

See application file for complete search history.

FIG. 1 is a first perspective view of a garlic press showing my new design;

FIG. 2 is a second perspective view thereof;

FIG. 3 is a front view thereof;

FIG. 4 is a back view thereof;

FIG. 5 is a left side view thereof;

FIG. 6 is a right side view thereof;

FIG. 7 is a top view thereof; and,

FIG. 8 is a bottom view thereof.

The broken lines shown in the drawings depict portions of the garlic press in which the design is embodied that form no part of the claimed design.

(56) **References Cited**

U.S. PATENT DOCUMENTS

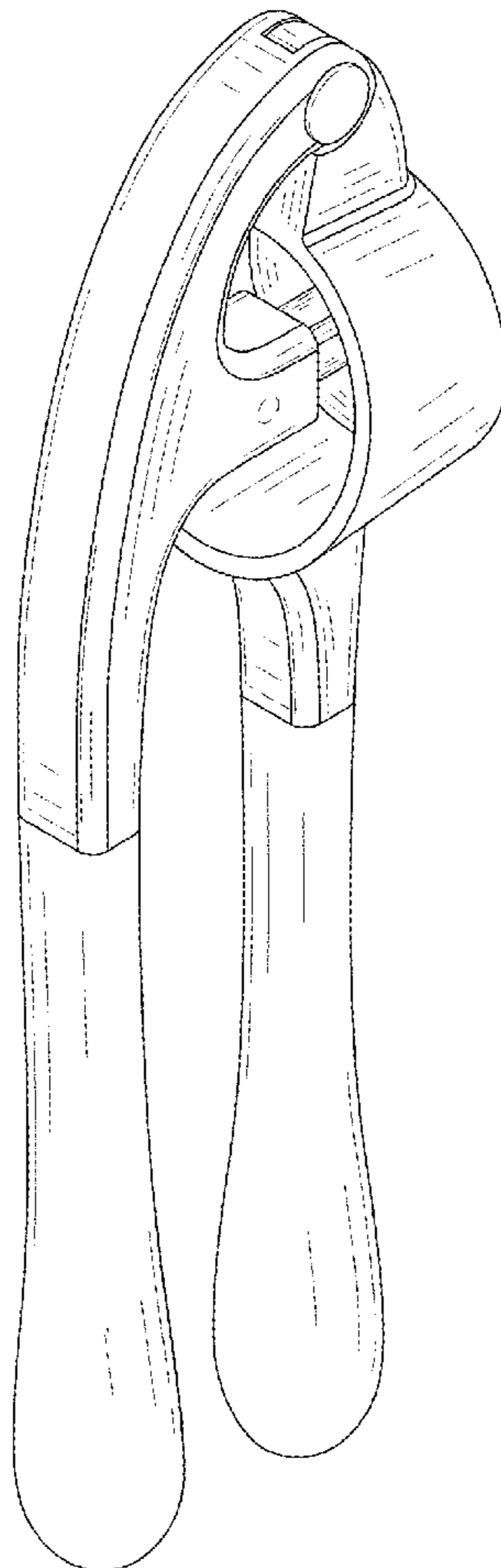
5,513,562 A \* 5/1996 Moor ..... A47J 19/06  
100/112

D425,762 S \* 5/2000 Short ..... D7/666

D530,162 S 10/2006 Hussey et al.

D608,604 S 1/2010 Griffith

**1 Claim, 8 Drawing Sheets**



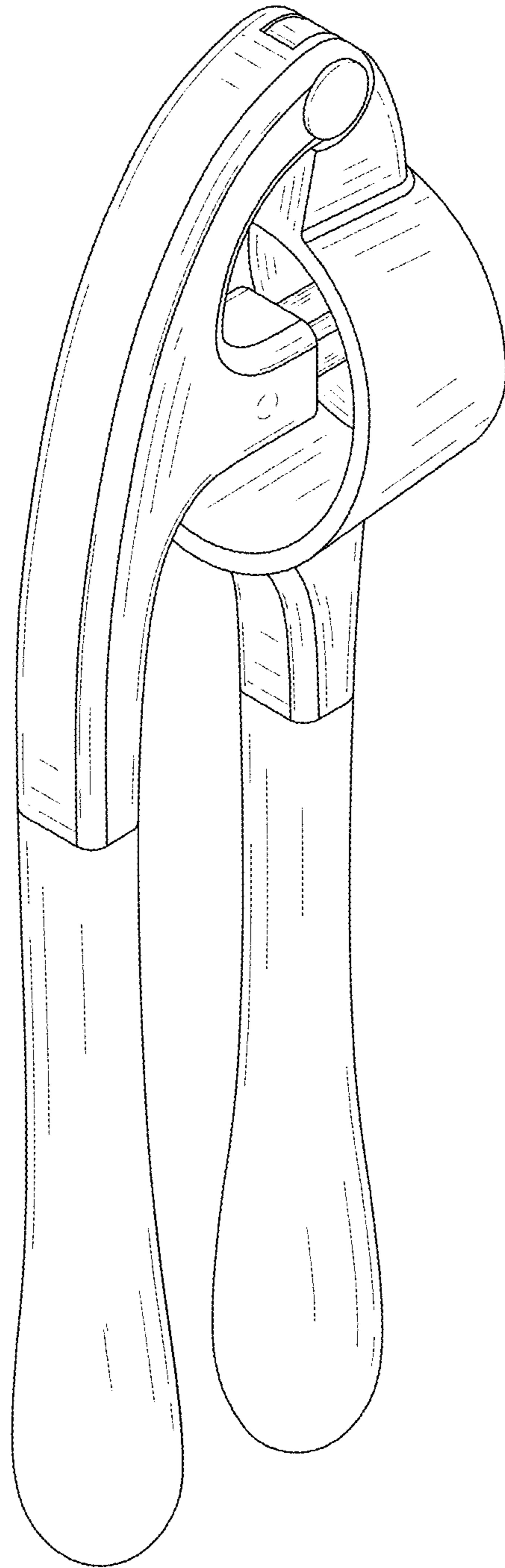


FIG. 1

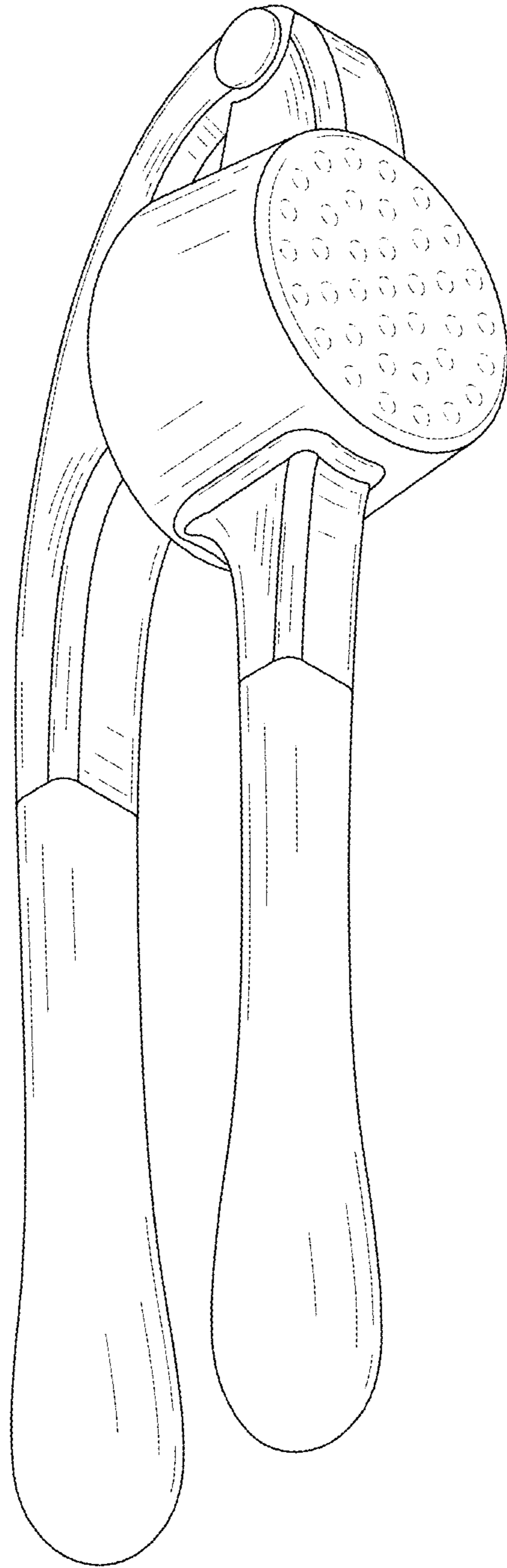


FIG. 2

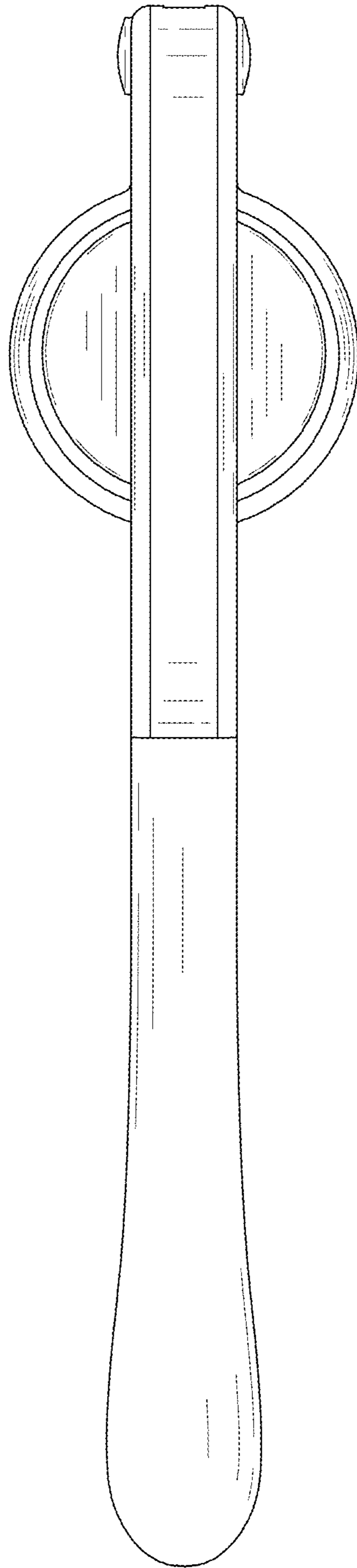


FIG. 3

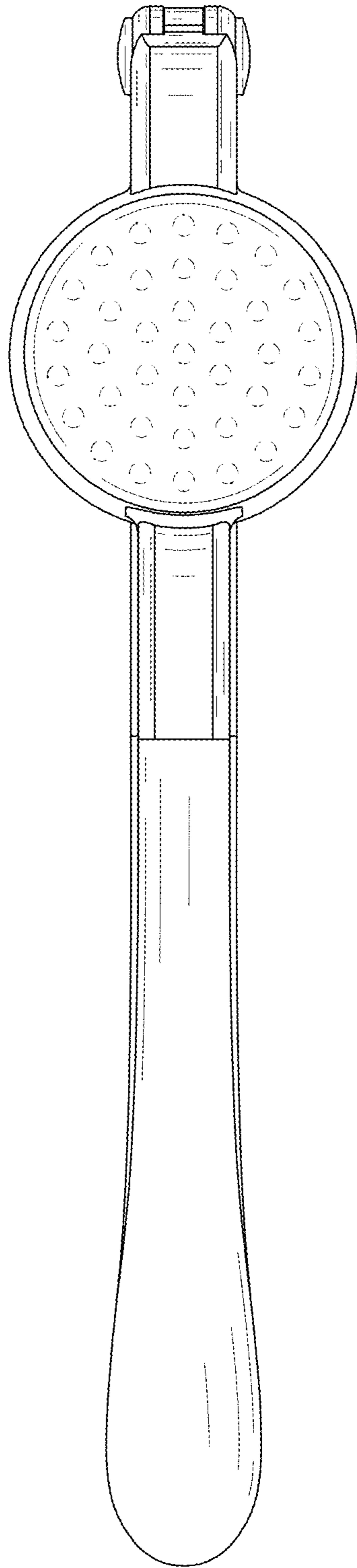


FIG. 4

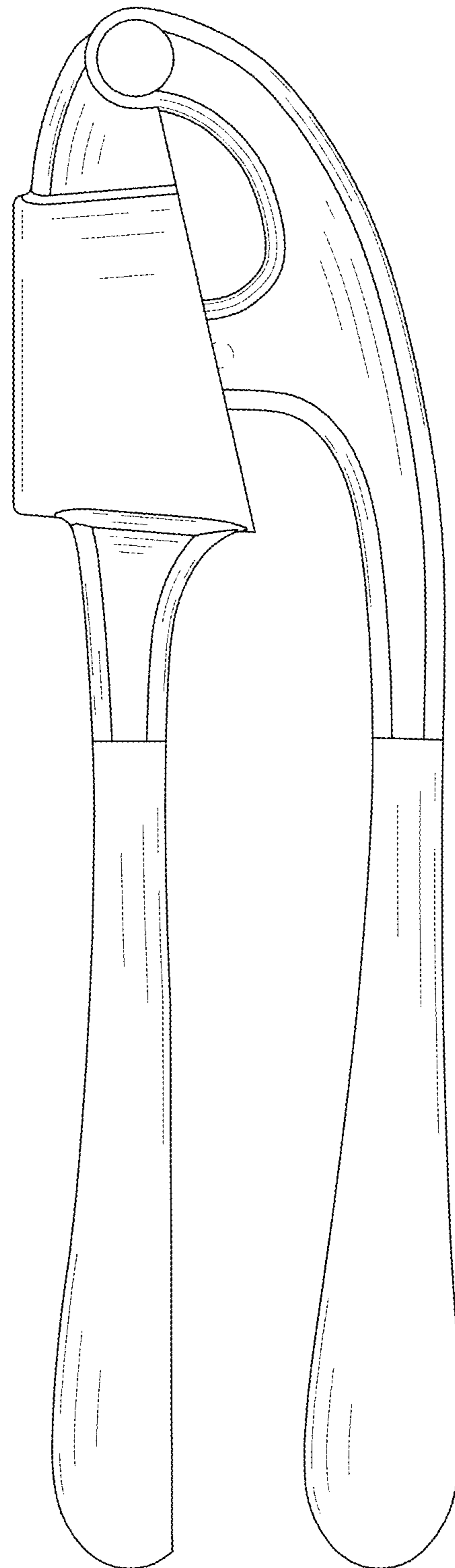


FIG. 5

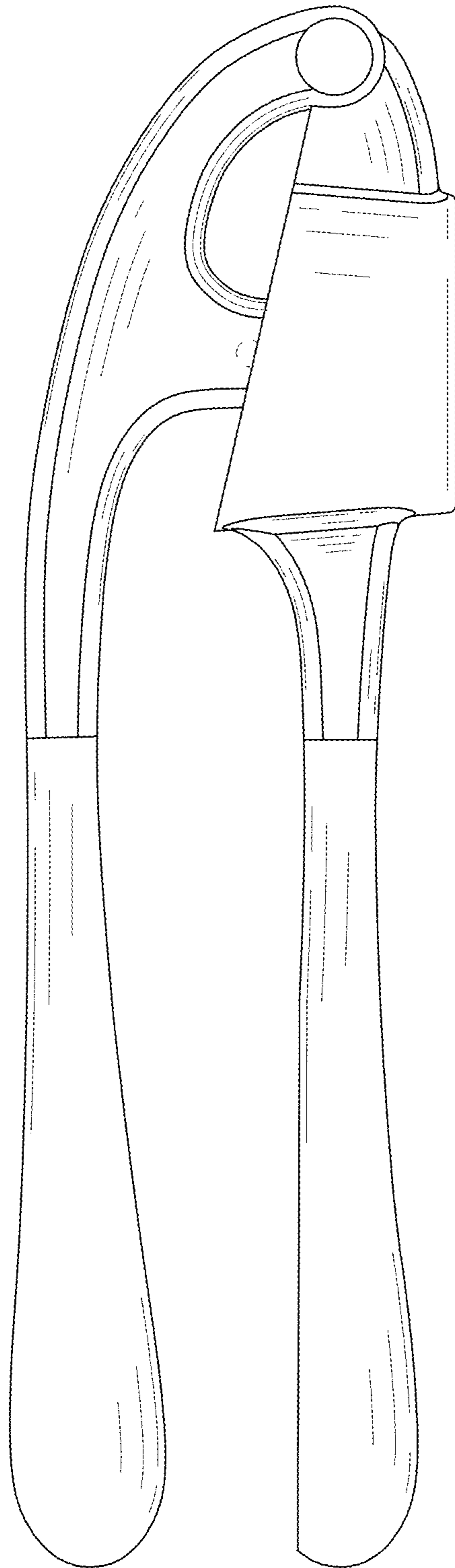


FIG. 6

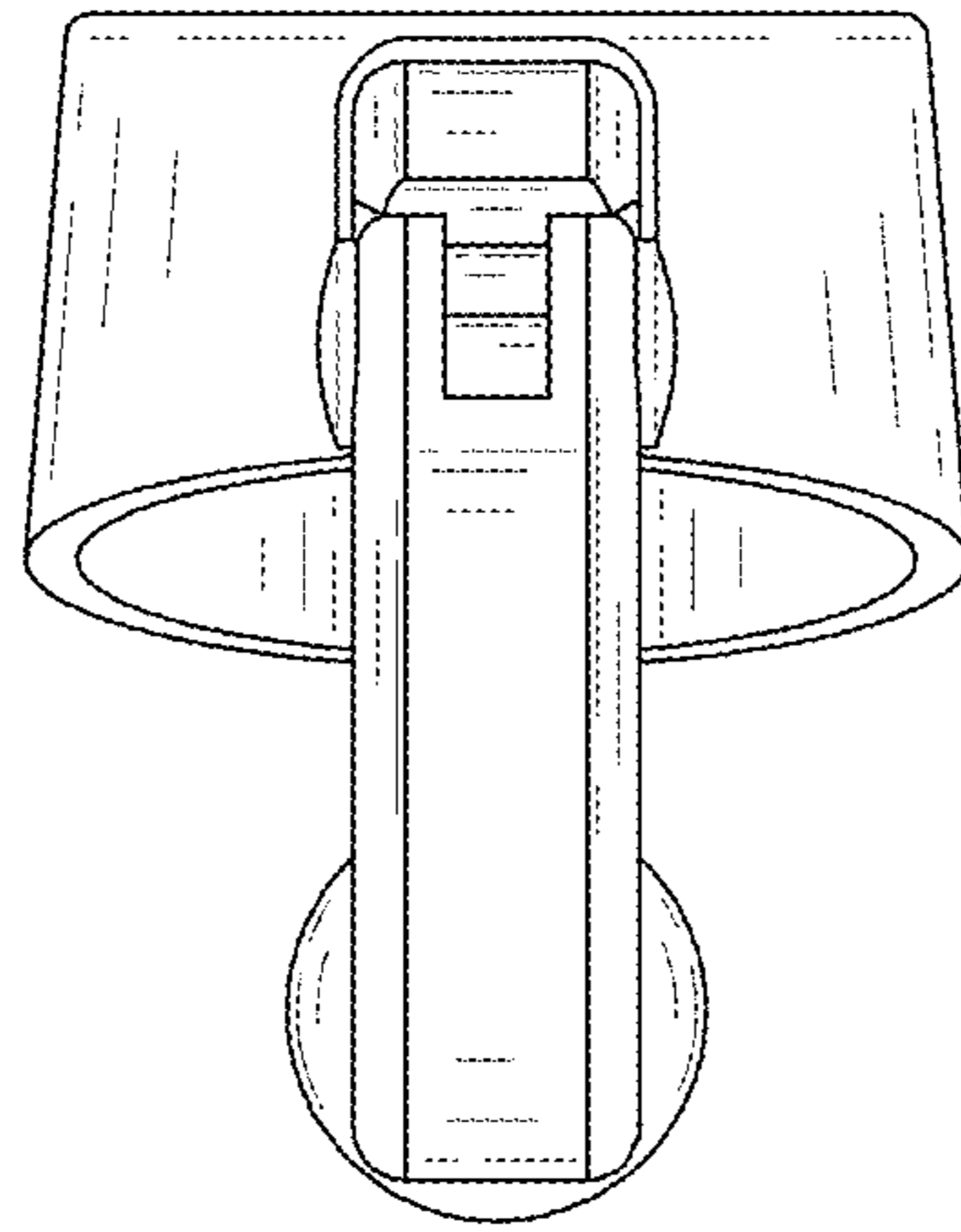


FIG. 7



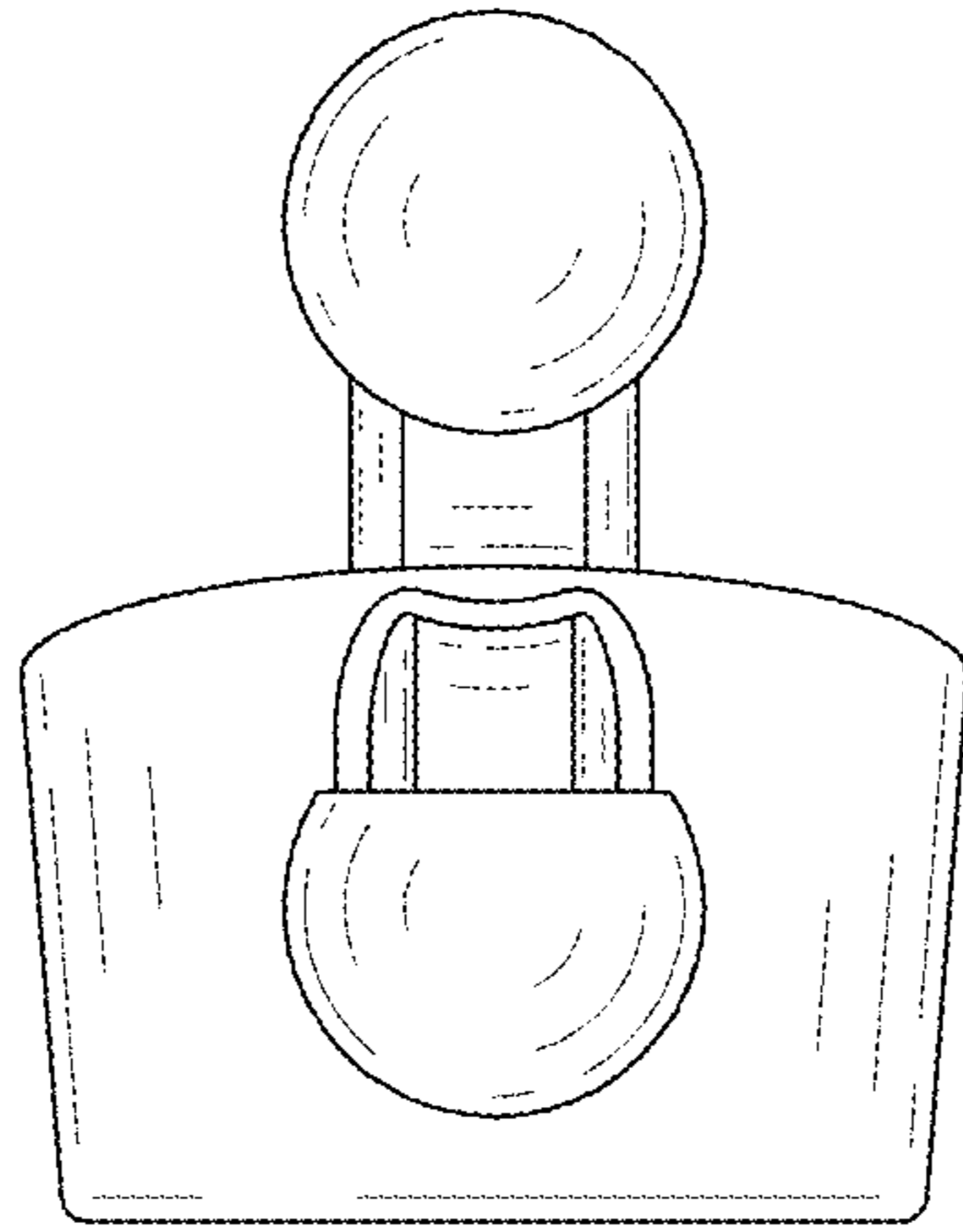


FIG. 8