



US00D935284S

(12) **United States Design Patent**
Lebeau

(10) **Patent No.:** **US D935,284 S**
(45) **Date of Patent:** **** Nov. 9, 2021**

(54) **CUTLERY SET**
(71) Applicant: **CORIOLIS**, Bagnolet (FR)
(72) Inventor: **Stéphane Lebeau**, Paris (FR)
(73) Assignee: **CORIOLIS**, Bagnolet (FR)
(**) Term: **15 Years**
(21) Appl. No.: **29/723,903**

588,174 A 8/1897 Praunegger
854,745 A 5/1907 King
972,777 A 10/1910 Richardson
1,229,696 A * 6/1917 Woods B26B 11/00
30/143
1,271,679 A * 7/1918 Duckett A47G 21/02
30/150
1,288,617 A 12/1918 Kupiszewski
1,337,174 A 4/1920 Whyte
1,372,325 A 3/1921 Willemin
1,452,337 A * 4/1923 Brecel A47G 21/06
206/349

(Continued)

(22) Filed: **Feb. 11, 2020**
(51) **LOC (13) Cl.** **07-03**
(52) **U.S. Cl.**
USPC **D7/643**; D7/645; D7/653
(58) **Field of Classification Search**
USPC D7/368, 401.2, 642-650, 653-664, 669,
D7/675-677, 683, 688-689, 691; D8/99,
D8/107, 300-301; D22/117-118
CPC ... A01D 9/02; A01D 9/04; A01D 9/06; A47G
21/00; A47G 21/004; A47G 21/005;
A47G 21/02; A47G 21/023; A47G 21/04;
A47G 21/06; A47G 21/08; A47J 43/28;
A47J 43/281; A47J 43/282; A61F 13/10;
A61J 7/0023; A61J 7/0046; B25G 1/00;
B25G 1/01; B25G 1/02; B25G 3/00;
B26B 11/00; B26B 3/00; B65D 75/56;
B65D 75/563; B65D 75/566; B67B 7/00;
B67B 7/724; B67B 7/73
See application file for complete search history.

FOREIGN PATENT DOCUMENTS

WO 072512 10/2009
Primary Examiner — Ricky Pham
(74) *Attorney, Agent, or Firm* — Lowe Graham Jones
PLLC

(57) **CLAIM**

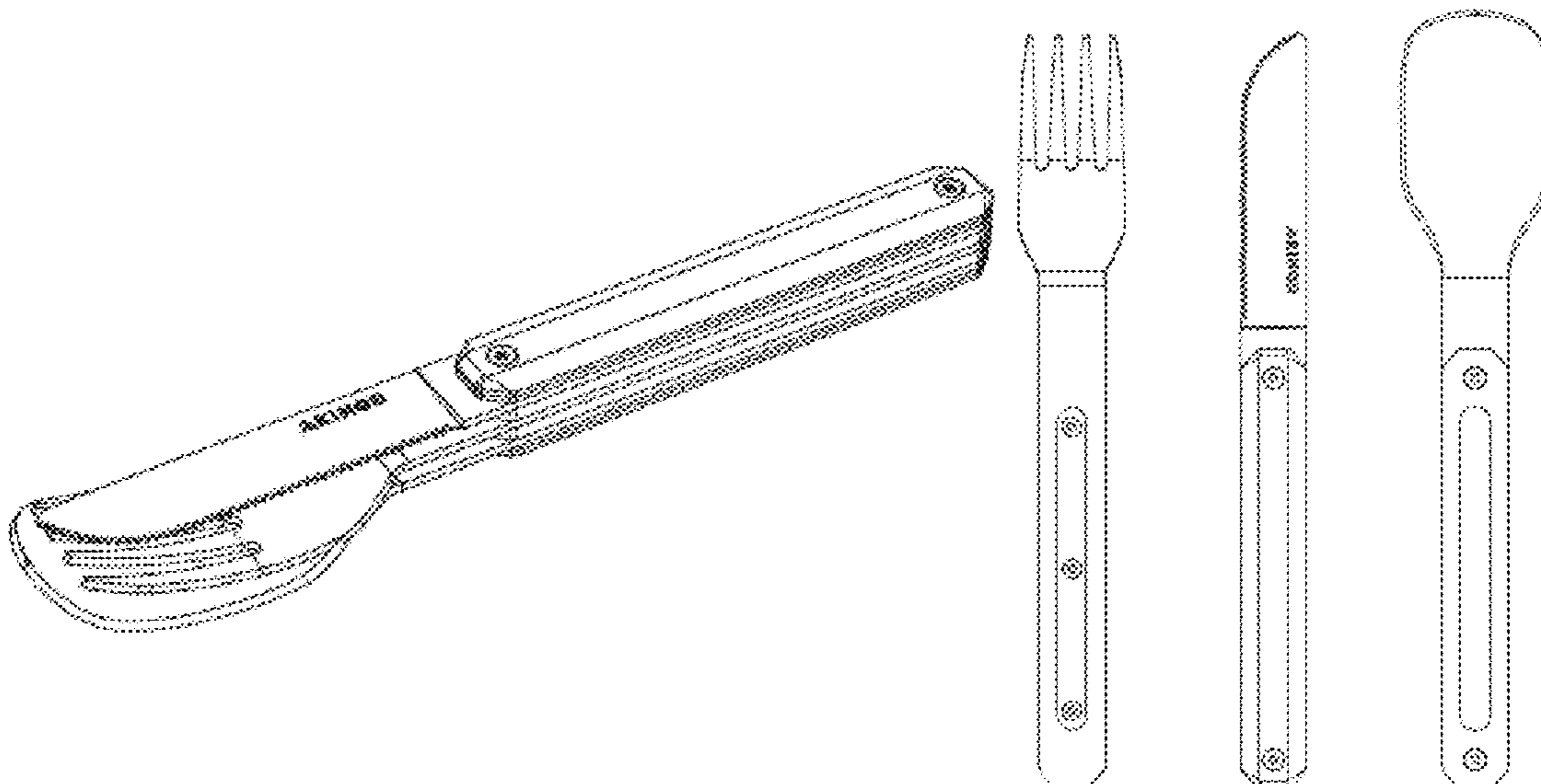
I claim the ornamental design for the cutlery set, as shown and described.

DESCRIPTION

FIG. 1 is an isometric view of the cutlery set, showing my new design;
FIG. 2 is a left side-elevational view of the cutlery set, the right side-elevational view being a mirror image;
FIG. 3A is a front view of each of the separate items, specifically, a fork, knife, and spoon;
FIG. 3B is a rear view of each of the separate items, specifically, a fork, knife, and spoon;
FIG. 4A is a front view of all three of the items connected in the cutlery set;
FIG. 4B is a rear view of all three of the items connected in the cutlery set;
FIG. 5A is a top view of the cutlery set; and,
FIG. 5B is a bottom view of the cutlery set.

1 Claim, 3 Drawing Sheets

(56) **References Cited**
U.S. PATENT DOCUMENTS
33,703 A * 11/1861 Hardie A47G 21/06
30/147
34,098 A * 1/1862 Hardie et al. A47G 21/06
30/147
34,712 A * 3/1862 Cables B26B 11/00
30/143
RE7,925 E * 10/1877 Ulmer 30/147



(56)

References Cited

U.S. PATENT DOCUMENTS

2,470,492	A *	5/1949	Jenkins	A47G 21/06
				7/154
D391,123	S	2/1998	Rey et al.	
D411,080	S	6/1999	Santini	
D414,988	S	10/1999	Santini	
D537,302	S	2/2007	Vrhovski	
D575,593	S	8/2008	Svartström	
D608,602	S	1/2010	Davies et al.	
7,856,722	B2 *	12/2010	Lago-Arenas	B26B 3/00
				30/147
D783,382	S *	4/2017	Lebeau	D8/99
D794,400	S *	8/2017	Young	D7/643
D884,439	S *	5/2020	Klipshtein	D7/649
D911,784	S *	3/2021	Young	D7/645

* cited by examiner

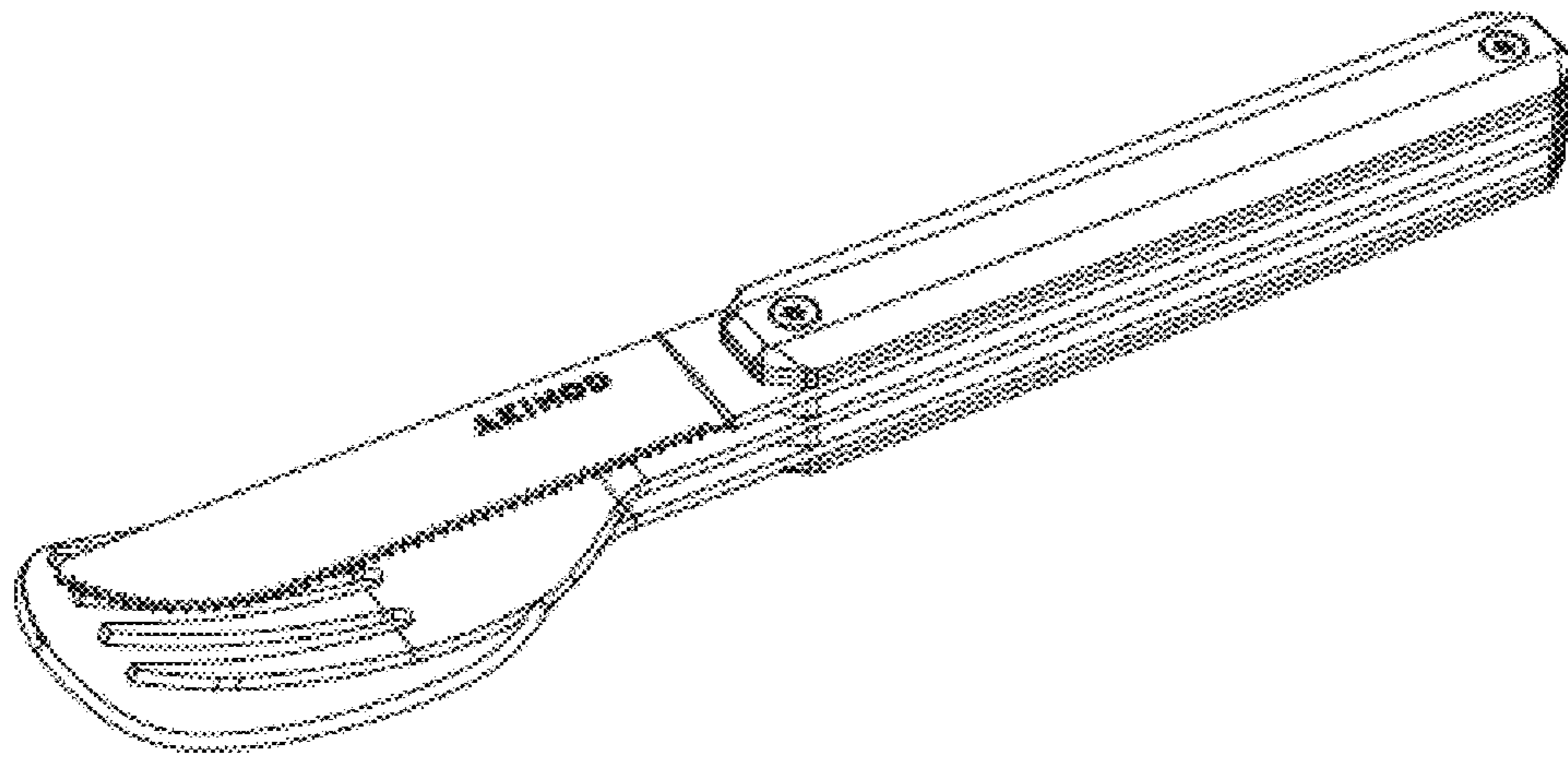


FIG. 1

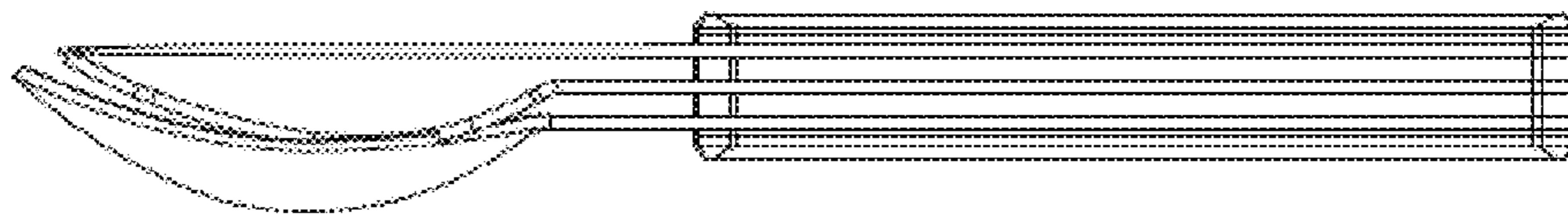


FIG. 2

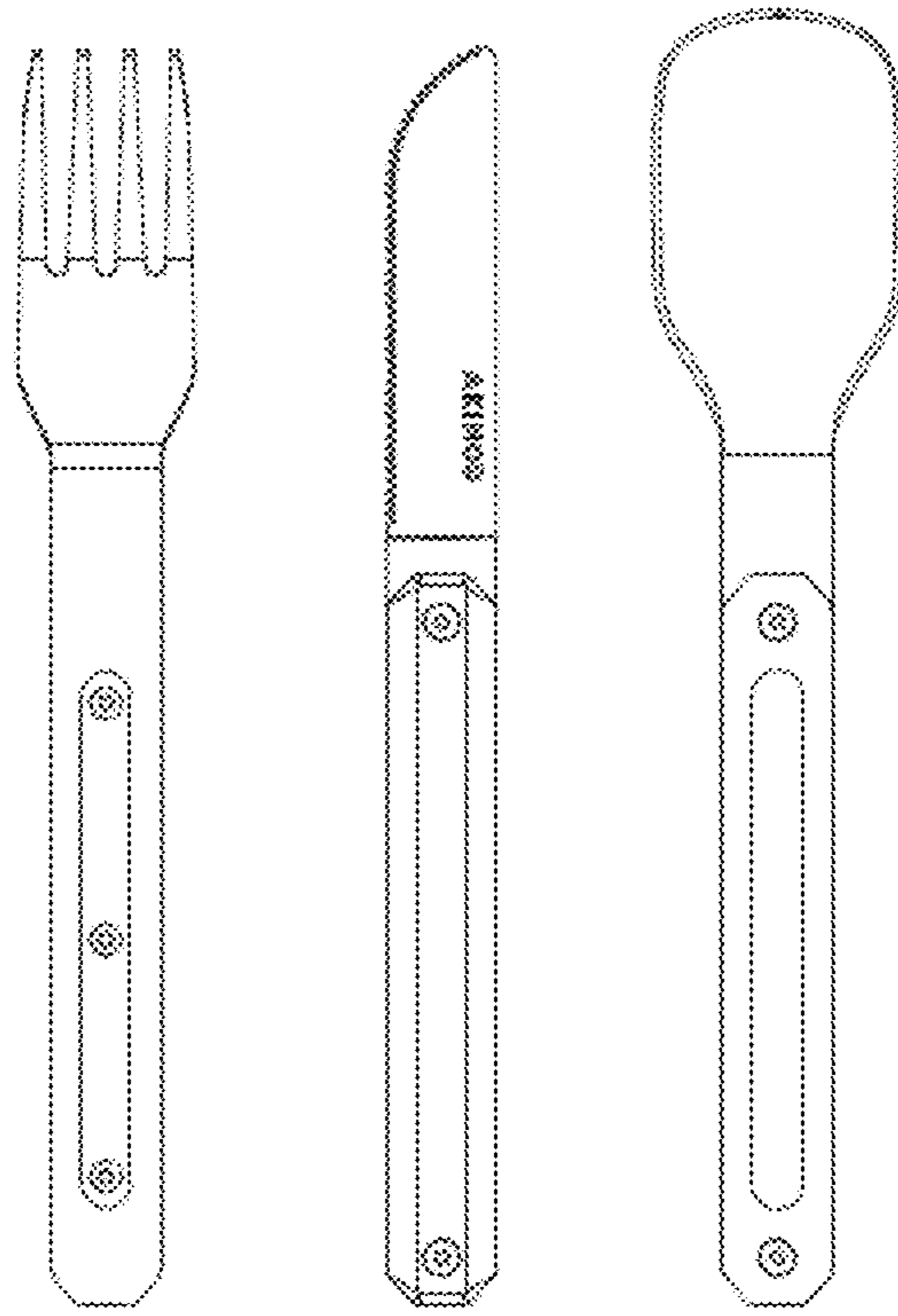


FIG. 3A

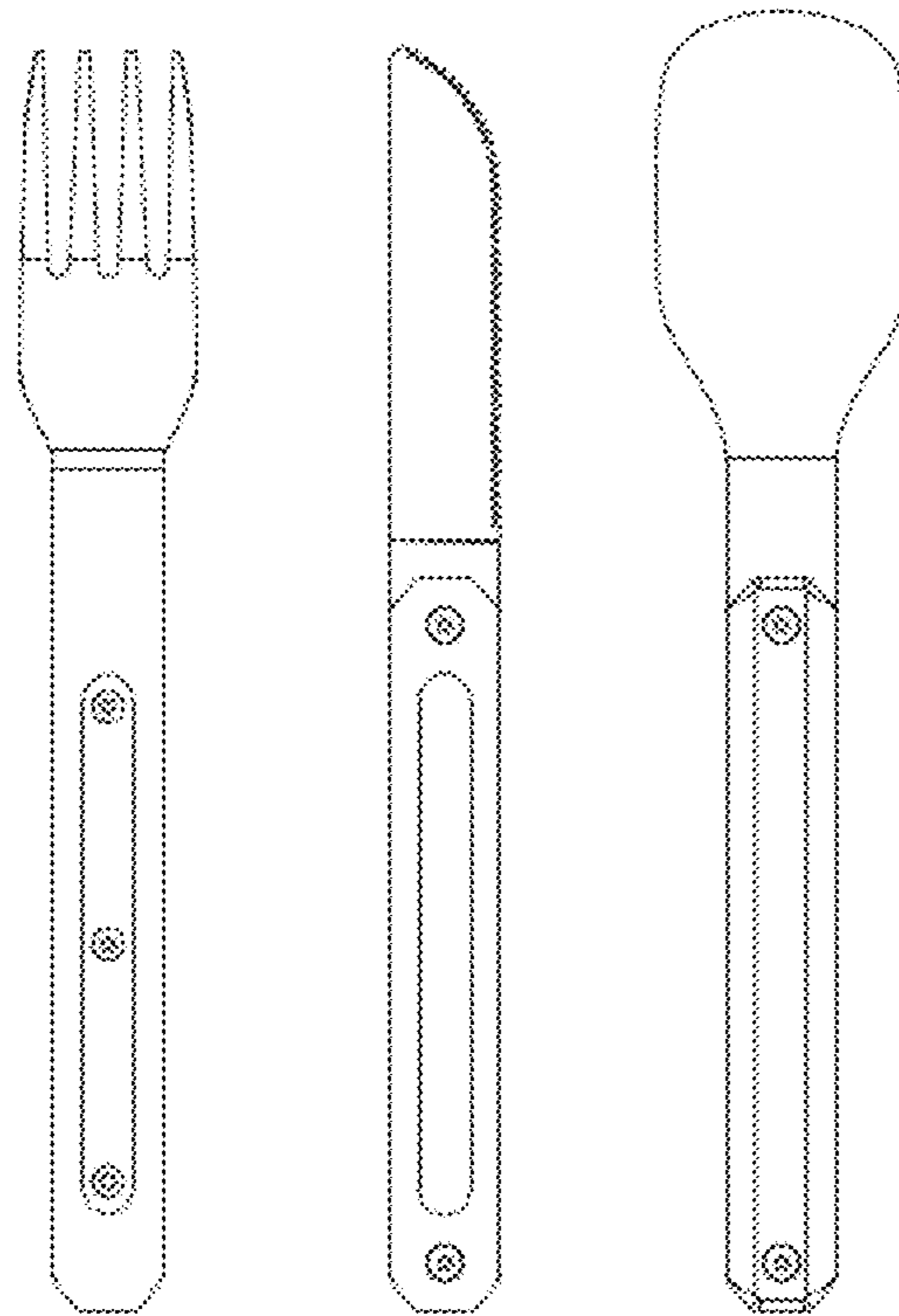


FIG. 3B

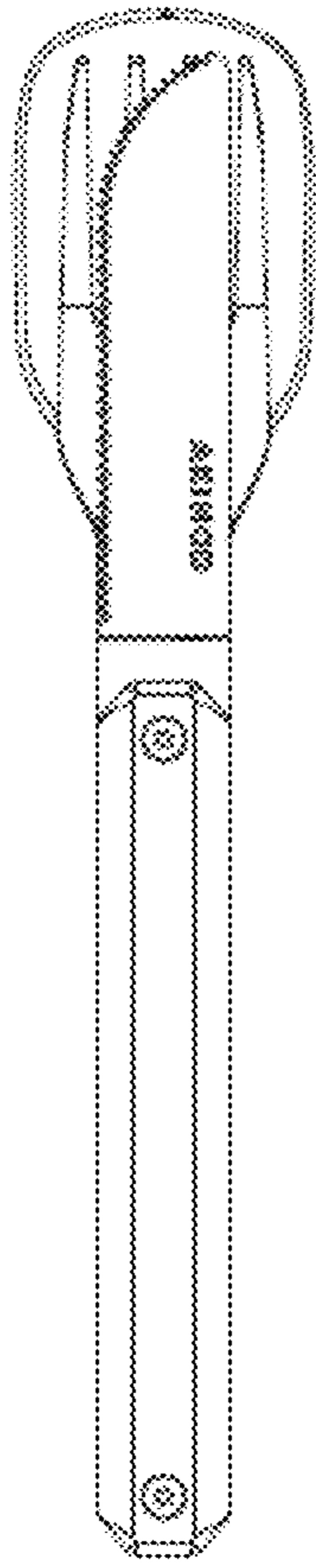


FIG. 4A

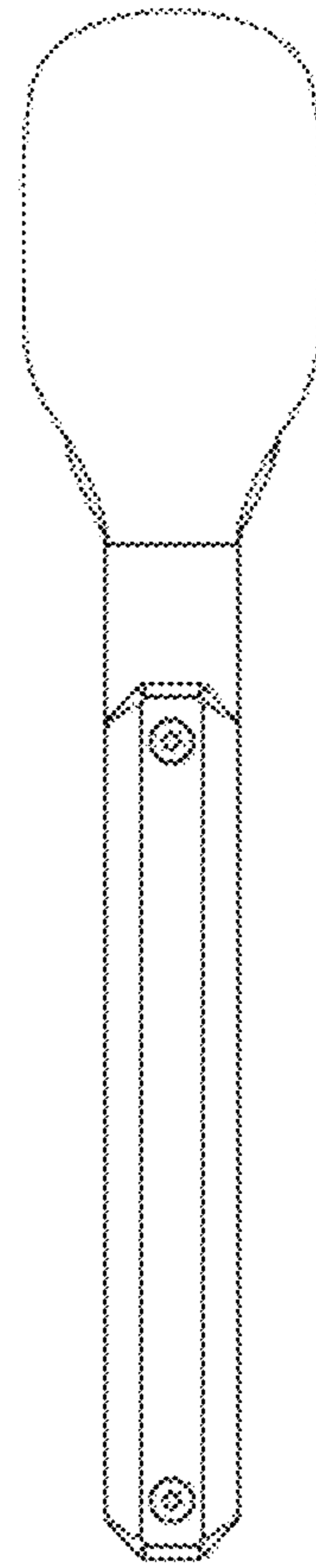


FIG. 4B

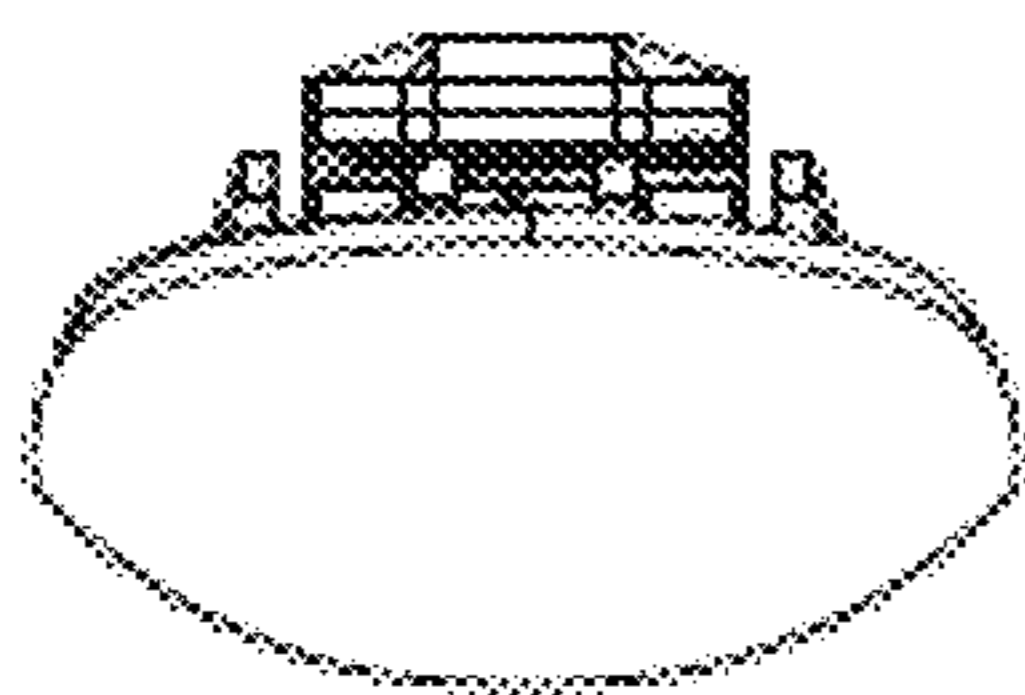


FIG. 5A

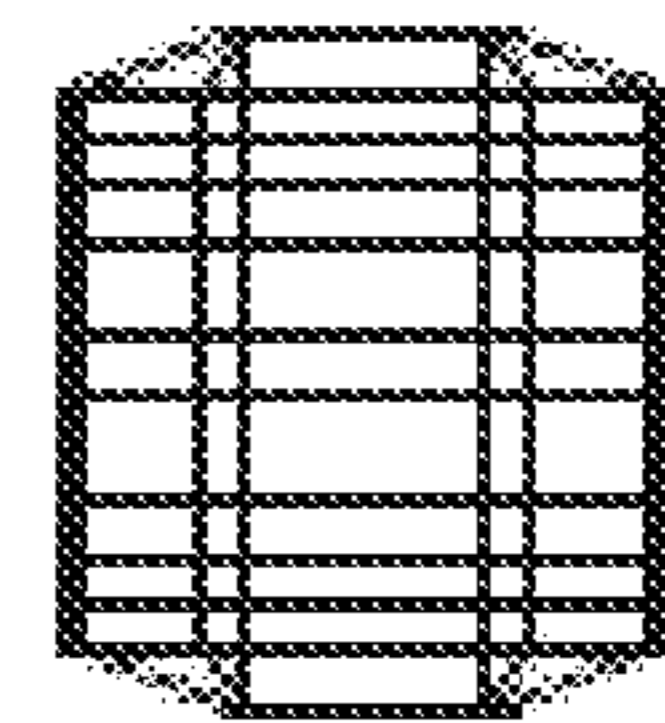


FIG. 5B