



US00D935283S

(12) **United States Design Patent**  
**Veldkamp**

(10) **Patent No.:** **US D935,283 S**

(45) **Date of Patent:** **\*\* Nov. 9, 2021**

(54) **ORGANIZER**

(71) Applicant: **Spectrum Diversified Designs, LLC**,  
Streetsboro, OH (US)

(72) Inventor: **Derek Veldkamp**, Seattle, WA (US)

(73) Assignee: **SPECTRUM DIVERSIFIED  
DESIGNS, LLC**, Streetsboro, OH (US)

(\*\*) Term: **15 Years**

(21) Appl. No.: **29/717,179**

(22) Filed: **Dec. 16, 2019**

(51) **LOC (13) Cl.** ..... **07-07**

(52) **U.S. Cl.**  
USPC ..... **D7/637**

(58) **Field of Classification Search**  
USPC ..... D3/304, 306, 316; D6/566, 567, 573,  
D6/574; D7/631, 637-641; D19/75, 81,  
D19/83-86, 90, 92  
CPC ..... A47B 88/00; A47G 21/14; A47G 21/16;  
A47G 21/184; A47G 23/06; A47G  
29/087; A47J 45/02; A47J 47/16; B65D  
1/34; B65D 1/36  
See application file for complete search history.

(56) **References Cited**

**U.S. PATENT DOCUMENTS**

D349,815 S \* 8/1994 Wolff ..... D28/61  
D402,130 S \* 12/1998 Wolff ..... D6/675  
D439,085 S \* 3/2001 Quinn ..... D19/77

D557,047 S \* 12/2007 Dretzka ..... D3/304  
D590,596 S \* 4/2009 Dretzka ..... D3/304  
D659,399 S \* 5/2012 Kraemer ..... D3/304  
D707,077 S \* 6/2014 Sarnoff ..... D7/357  
D906,061 S \* 12/2020 Stevens ..... D7/641

**OTHER PUBLICATIONS**

Design Linus Deep Drawer Organizers, The Container Store web-  
site, [https://www.containerstore.com/s/drawer-organizers/idesign-linus-deep-drawer-organizers/1d?productId=10012726&country=US&currency=USD&utm\\_source=tcscmpshop&utm\\_medium](https://www.containerstore.com/s/drawer-organizers/idesign-linus-deep-drawer-organizers/1d?productId=10012726&country=US&currency=USD&utm_source=tcscmpshop&utm_medium), dated  
Nov. 14, 2019, 6 page.

\* cited by examiner

*Primary Examiner* — Janice Patyk

(74) *Attorney, Agent, or Firm* — Tucker Ellis LLP

(57) **CLAIM**

The ornamental design for an organizer, as shown and  
described.

**DESCRIPTION**

FIG. 1 is a perspective view of an organizer showing my  
new design.

FIG. 2 is a front view thereof.

FIG. 3 is a rear view thereof.

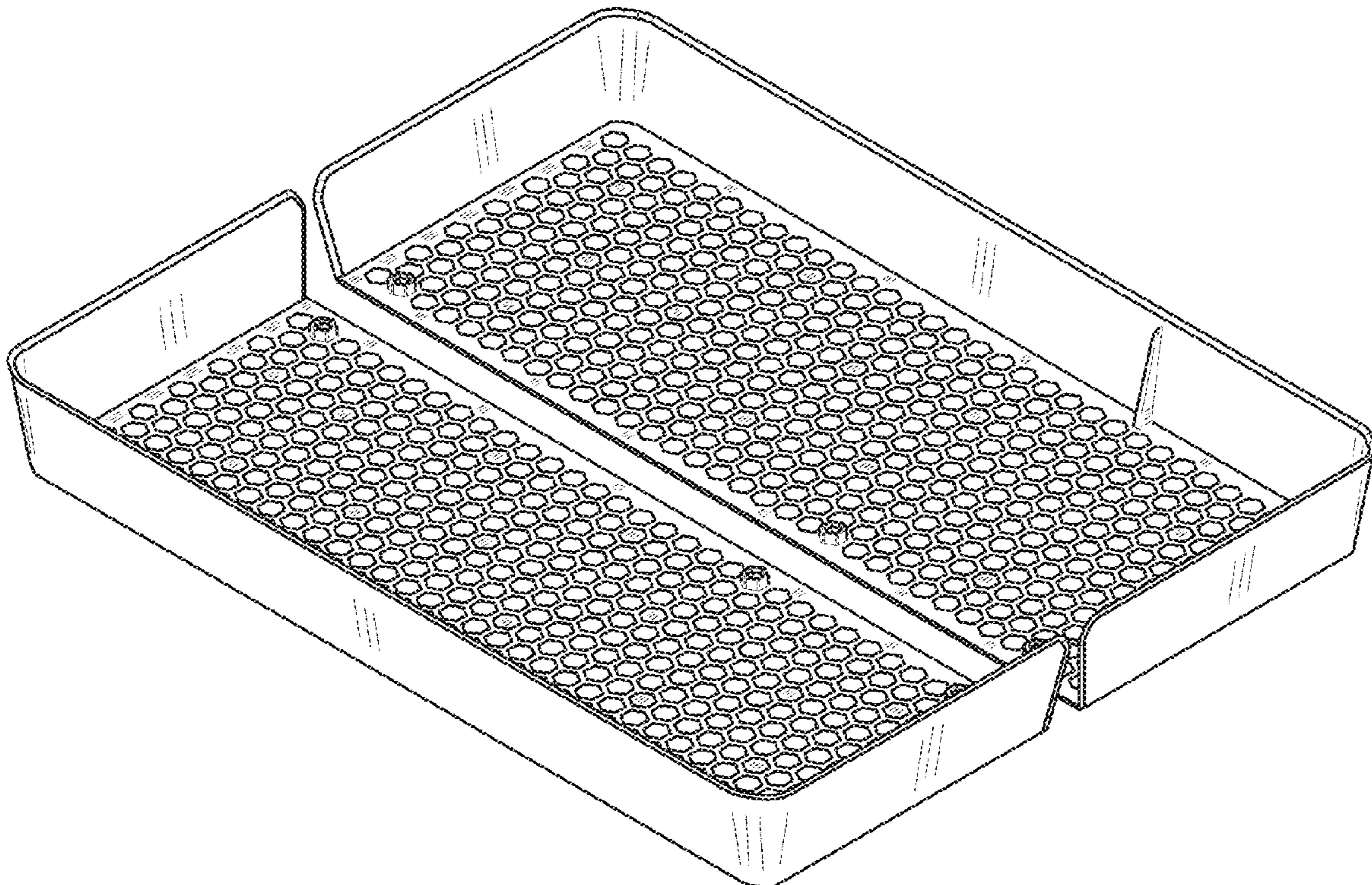
FIG. 4 is a right side view thereof.

FIG. 5 is a left side view thereof

FIG. 6 is a top view thereof; and,

FIG. 7 is a bottom view thereof.

**1 Claim, 5 Drawing Sheets**



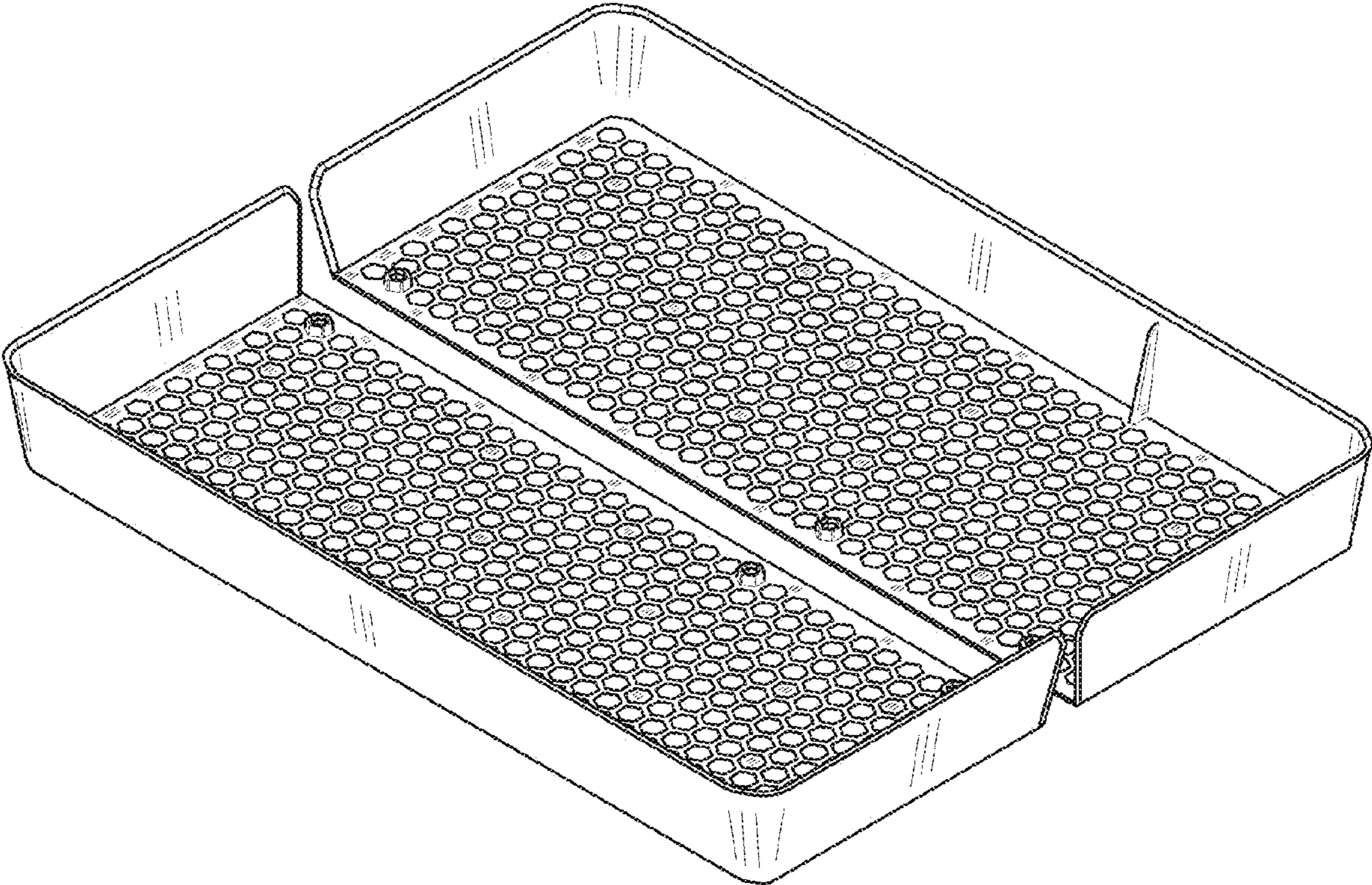


FIG. 1

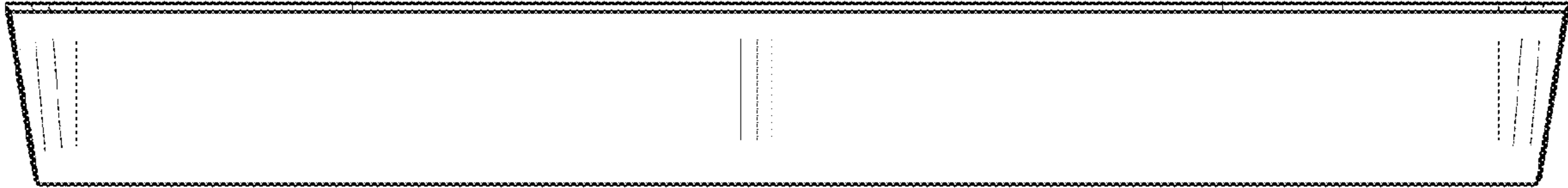


FIG. 2

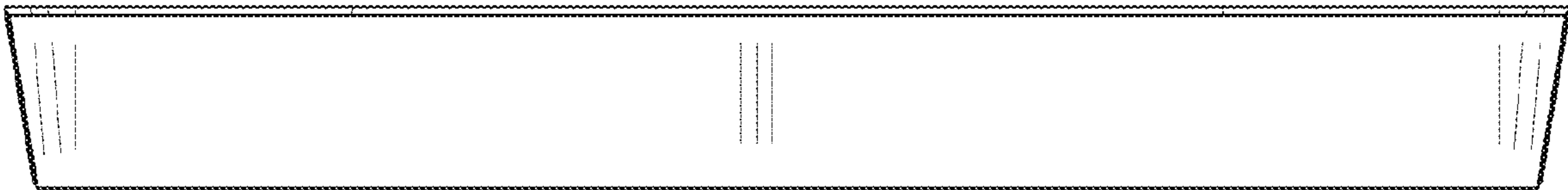


FIG. 3

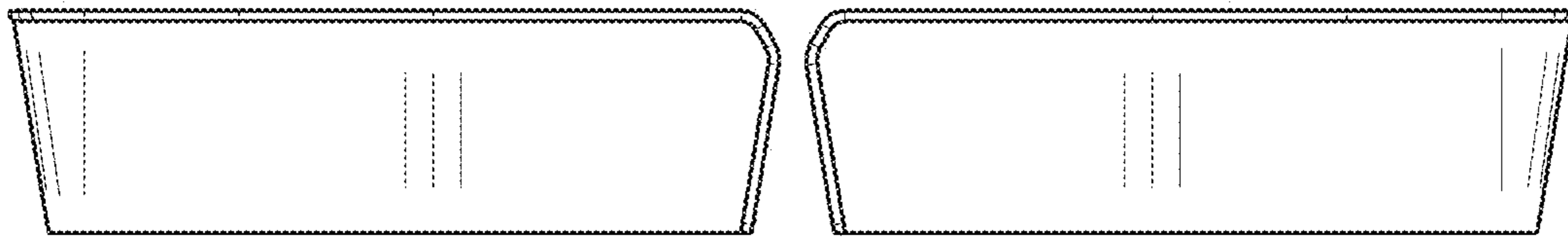


FIG. 4

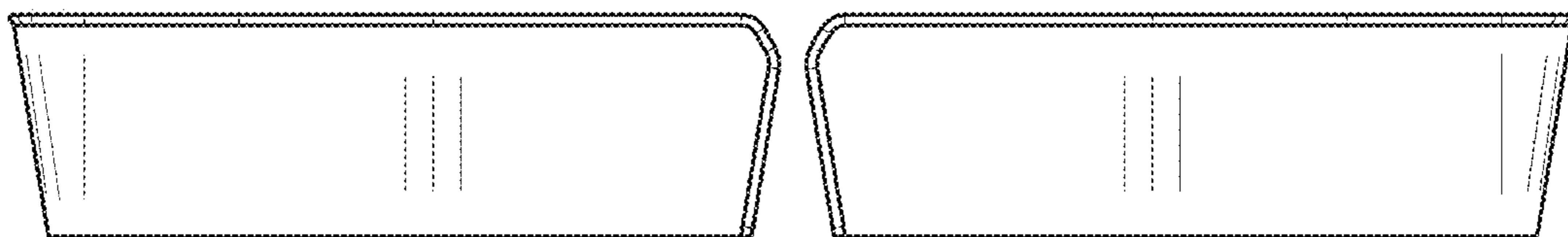


FIG. 5

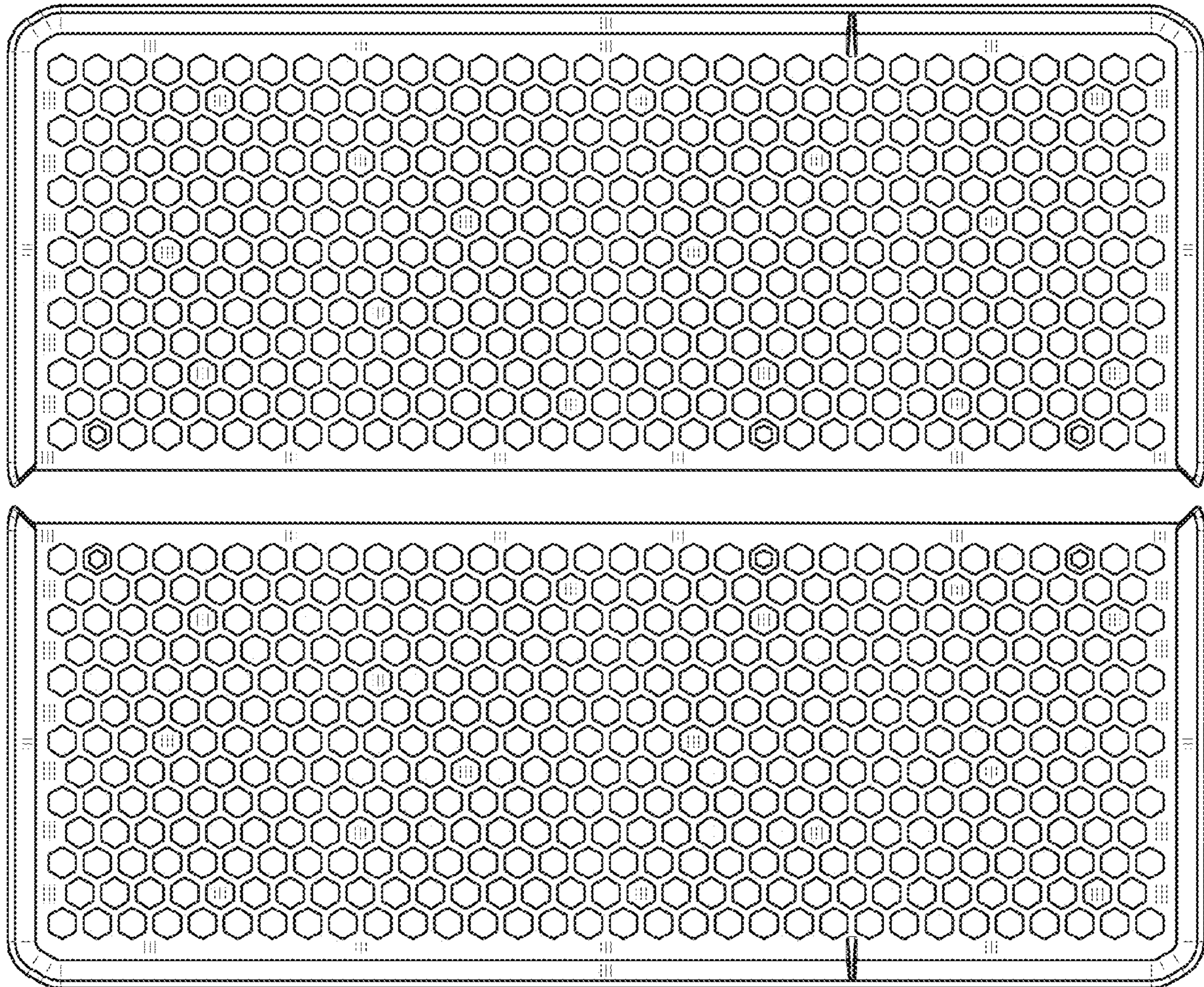


FIG. 6

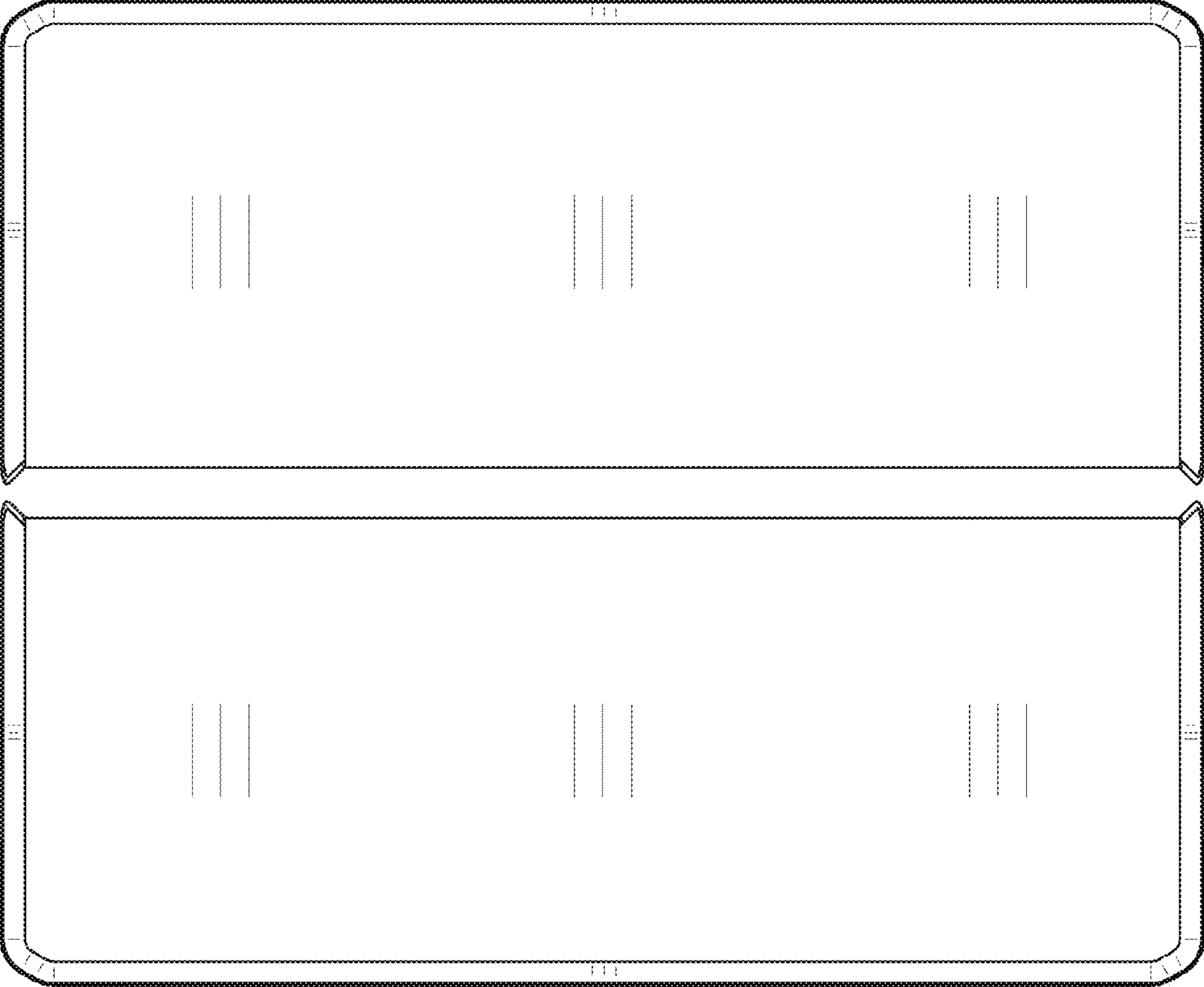


FIG. 7