



US00D935275S

(12) **United States Design Patent**  
**Ye**

(10) **Patent No.:** **US D935,275 S**  
(45) **Date of Patent:** **\*\* Nov. 9, 2021**

(54) **BLENDER CONTAINER**

(71) Applicants: **Xiushan Ye**, Guangzhou (CN);  
**Guangzhou Shengwei Electric**  
**Manufacturing Co., Ltd.**, Guangzhou  
(CN)

(72) Inventor: **Xiushan Ye**, Guangzhou (CN)

(73) Assignees: **Xiushan Ye**, Guangzhou (CN);  
**GUANGZHOU SHENGWEI**  
**ELECTRIC MANUFACTURING**  
**CO., LTD.**, Guangzhou (CN)

(\*\*) Term: **15 Years**

(21) Appl. No.: **29/773,269**

(22) Filed: **Mar. 9, 2021**

(51) **LOC (13) Cl.** ..... **31-00**

(52) **U.S. Cl.**  
USPC ..... **D7/413; D7/376; D7/378; D7/412**

(58) **Field of Classification Search**  
USPC ..... **D7/354, 358, 372, 376-386, 412-413,**  
**D7/602, 629, 665-666, 669, 679,**  
**D7/693-694**  
CPC .... **A21C 1/02; A21C 1/04; A23N 1/00; A23N**  
**1/02; A47J 27/004; A47J 27/0813; A47J**  
**43/04; A47J 43/25; A47J 43/27; A47J**  
**43/042; A47J 43/044; A47J 43/046; A47J**  
**43/075; A47J 43/0716; A47J 43/0722;**  
**A47J 43/0727; B01F 3/00; B01F 3/0807;**  
**B01F 3/0853; B01F 13/0059; B01F**  
**13/0064; B02C 1/08; B02C 2/04; B02C**  
**4/42; B02C 4/142; B02C 4/143; B02C**  
**4/423; B02C 13/1835; B28C 5/10; B28C**  
**5/12; B28C 5/14; B28C 5/16**

See application file for complete search history.

(56) **References Cited**

**U.S. PATENT DOCUMENTS**

D707,079 S \* 6/2014 Blaise ..... D7/384  
D711,182 S \* 8/2014 Roussard ..... D7/358

D854,875 S \* 7/2019 Tan ..... D7/358  
D896,022 S \* 9/2020 Ye ..... D7/384  
D896,023 S \* 9/2020 Ye ..... D7/384  
D896,563 S \* 9/2020 Lee ..... D7/354  
D899,180 S 10/2020 Ye  
D899,843 S 10/2020 Ye  
D899,844 S \* 10/2020 Ye ..... D7/386  
D900,534 S 11/2020 Ye  
D919,366 S \* 5/2021 Fung ..... D7/413

(Continued)

*Primary Examiner* — Ricky Pham

(57) **CLAIM**

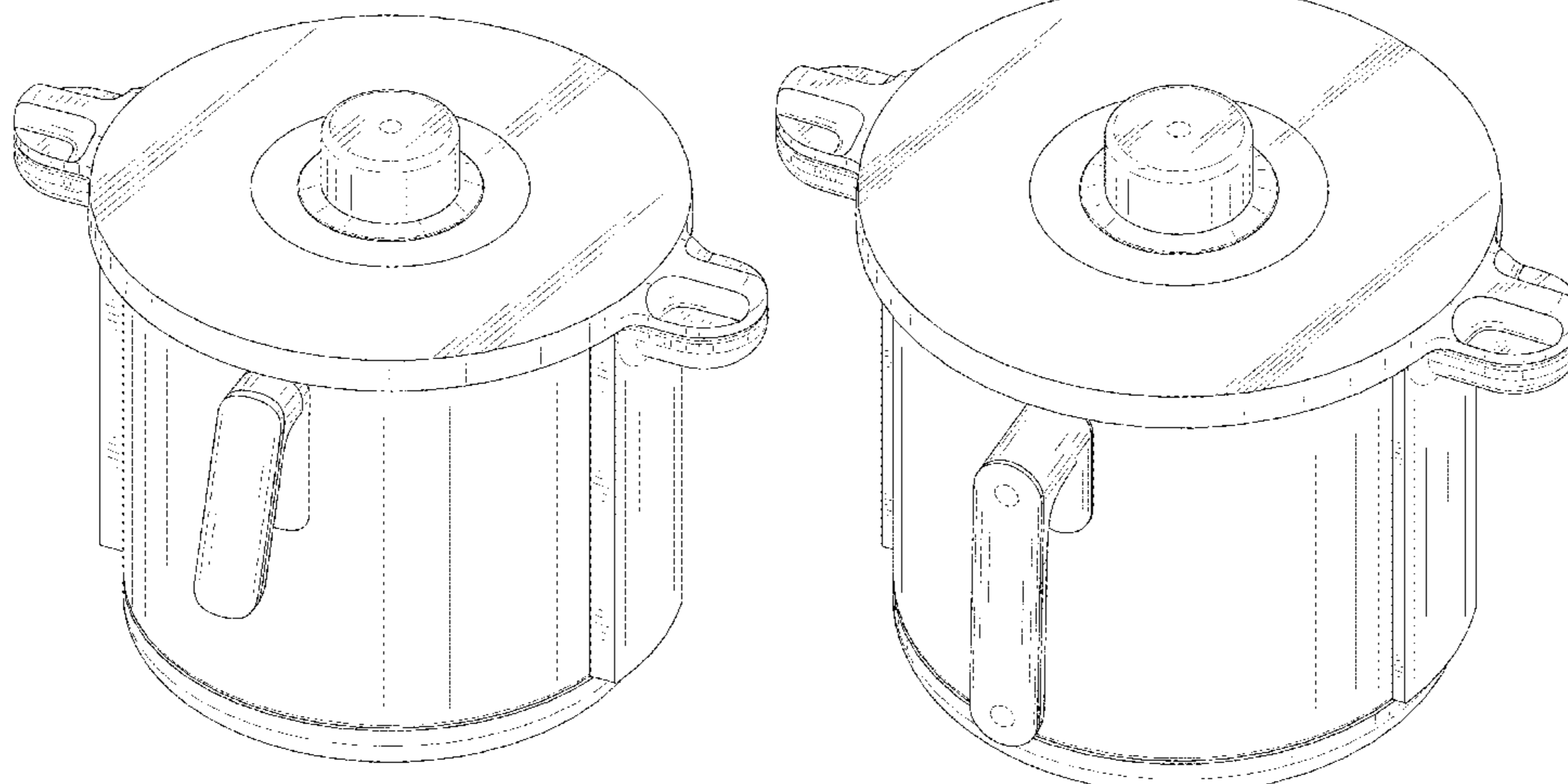
The ornamental design for a blender container, as shown and described.

**DESCRIPTION**

FIG. 1 is a perspective view of a blender container according to a first embodiment;  
FIG. 2 is another perspective view thereof;  
FIG. 3 is a front elevational view thereof;  
FIG. 4 is a rear elevational view thereof;  
FIG. 5 is a left side elevational view thereof;  
FIG. 6 is a right side elevational view thereof;  
FIG. 7 is a top plan view thereof;  
FIG. 8 is a bottom plan view thereof;  
FIG. 9 is a perspective view of a blender container according to a second embodiment;  
FIG. 10 is another perspective view thereof;  
FIG. 11 is a front elevational view thereof;  
FIG. 12 is a rear elevational view thereof;  
FIG. 13 is a left side elevational view thereof;  
FIG. 14 is a right side elevational view thereof;  
FIG. 15 is a top plan view thereof; and,  
FIG. 16 is a bottom plan view thereof.

The short dash broken lines in the drawings depict portions of the blender container that form no part of the claimed design.

**1 Claim, 16 Drawing Sheets**



(56)

**References Cited**

U.S. PATENT DOCUMENTS

D922,817 S \* 6/2021 Lu ..... D7/384  
D922,818 S \* 6/2021 Hou ..... D7/384  
2012/0181363 A1\* 7/2012 Huang ..... A47J 27/004  
241/65  
2013/0019759 A1\* 1/2013 Tumenbatur ..... A47J 27/0813  
99/337  
2017/0217042 A1\* 8/2017 Zakowski ..... A47J 43/0716

\* cited by examiner

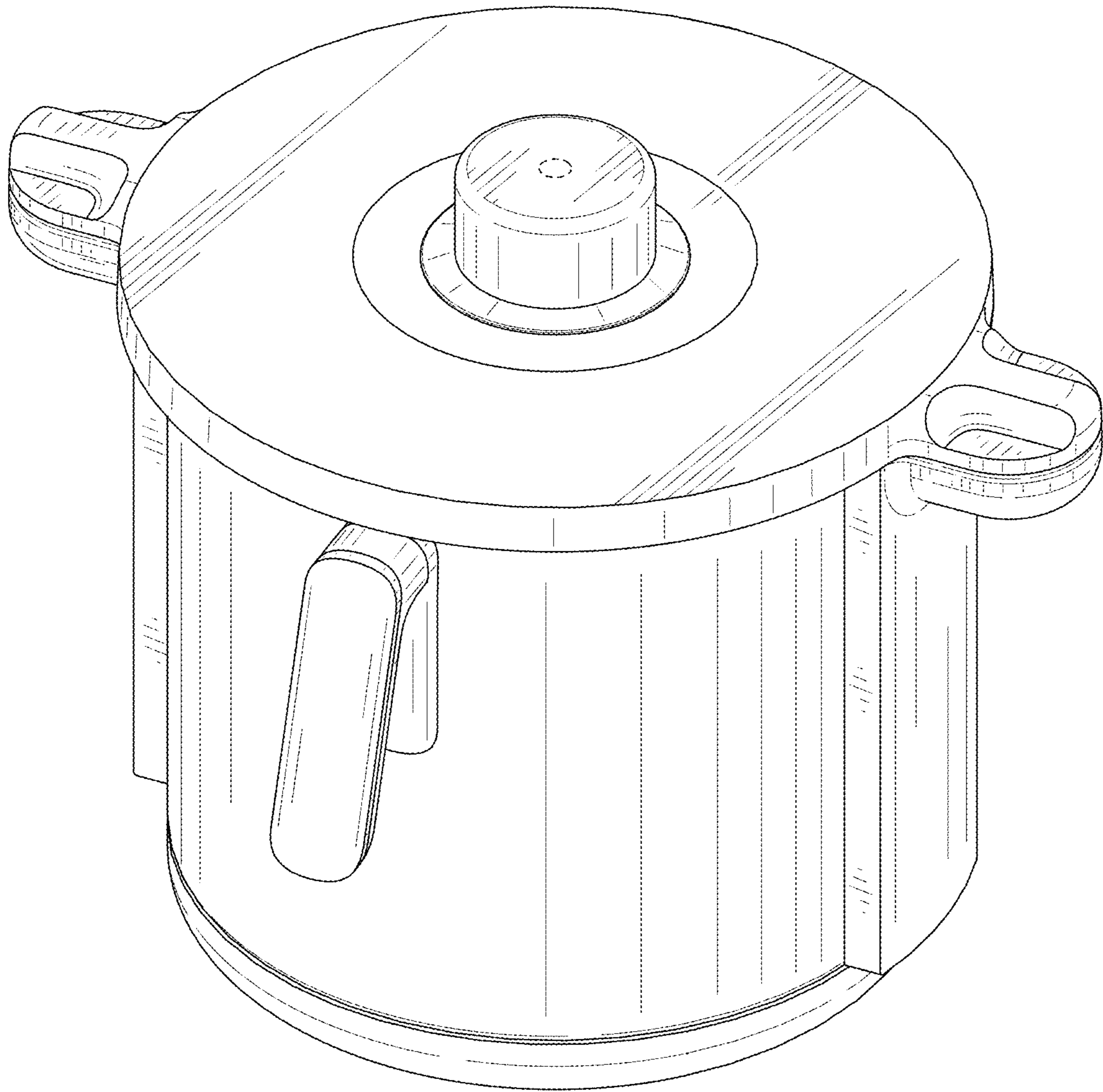


FIG. 1

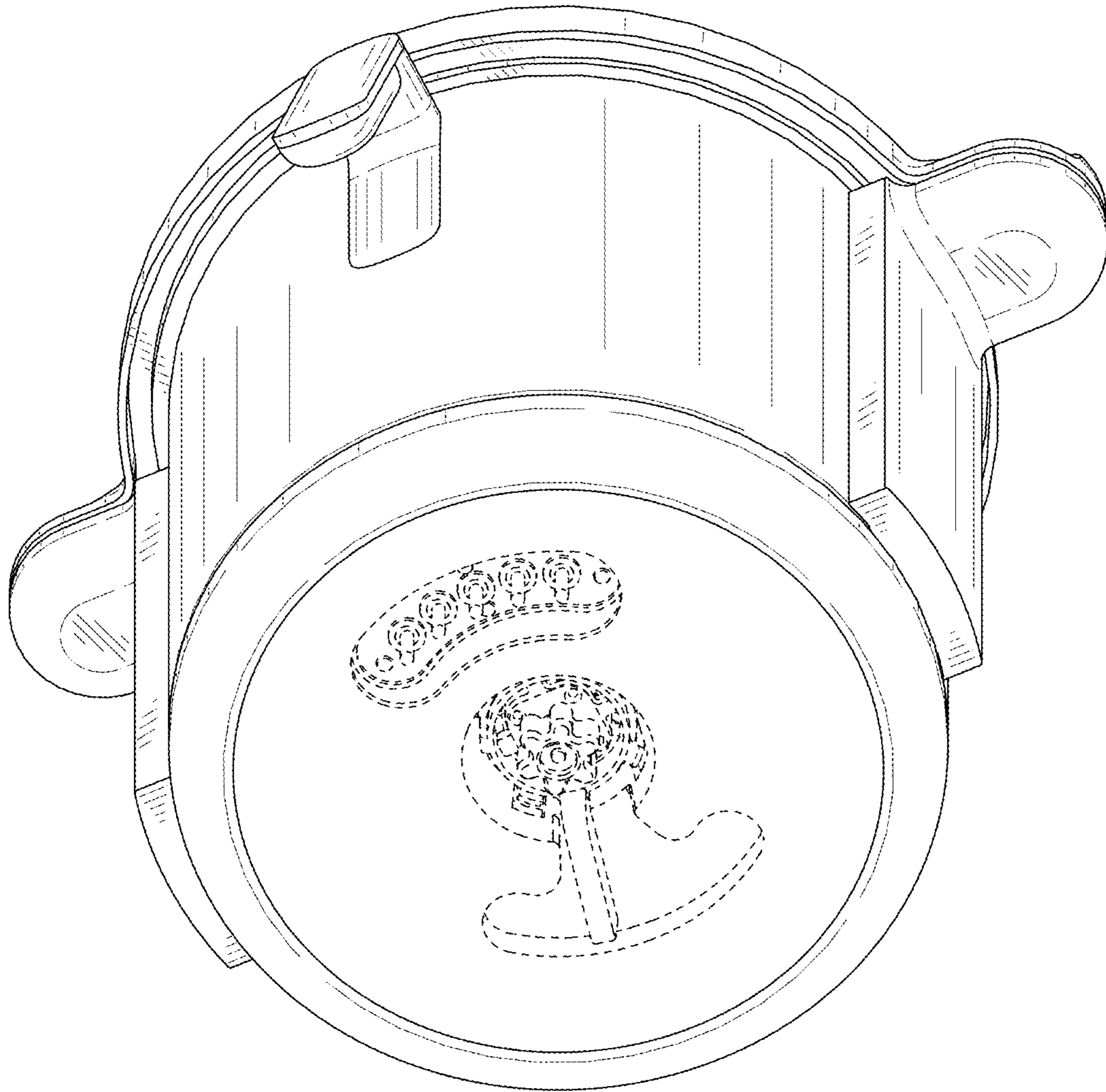


FIG. 2



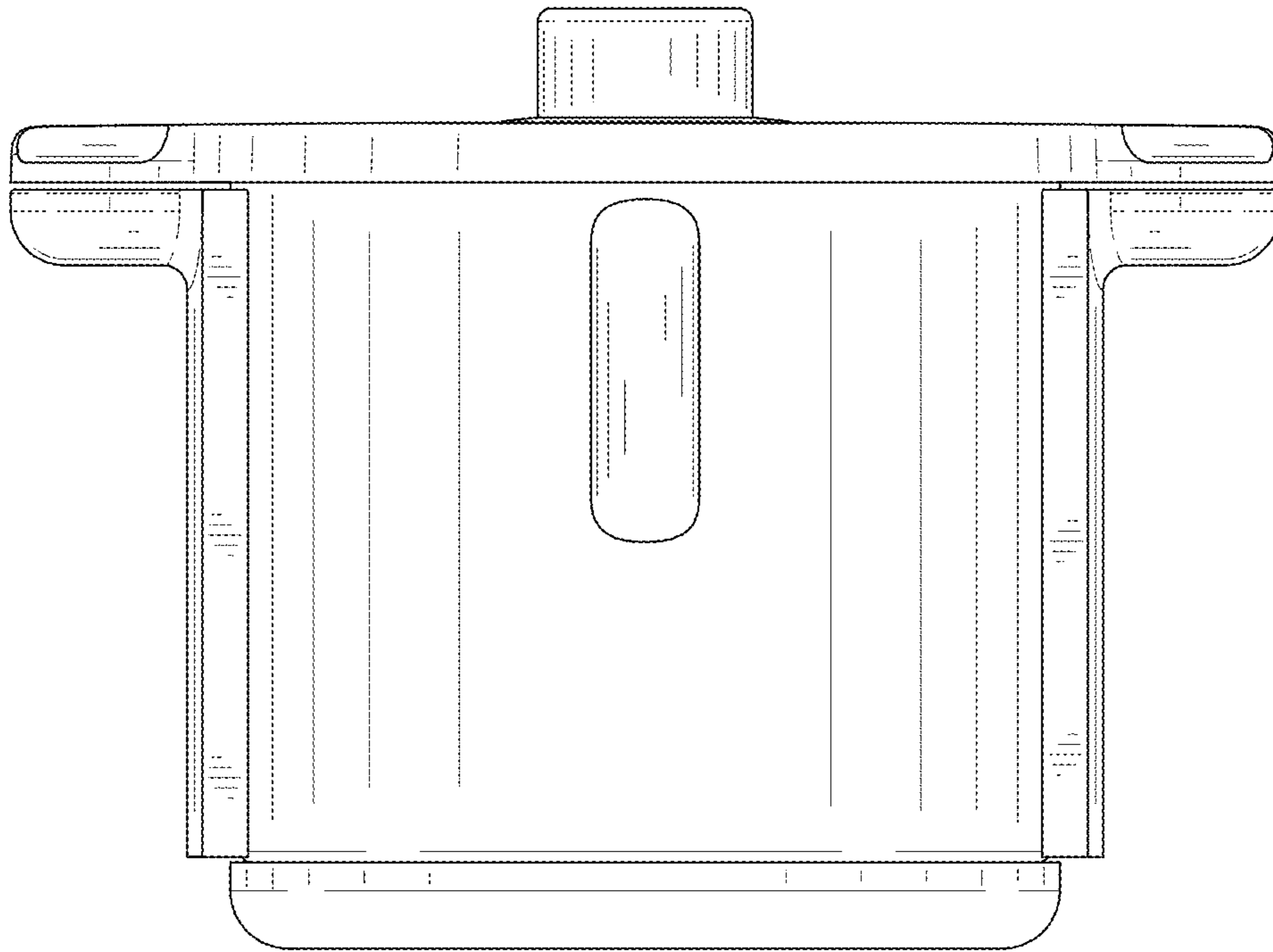


FIG. 3

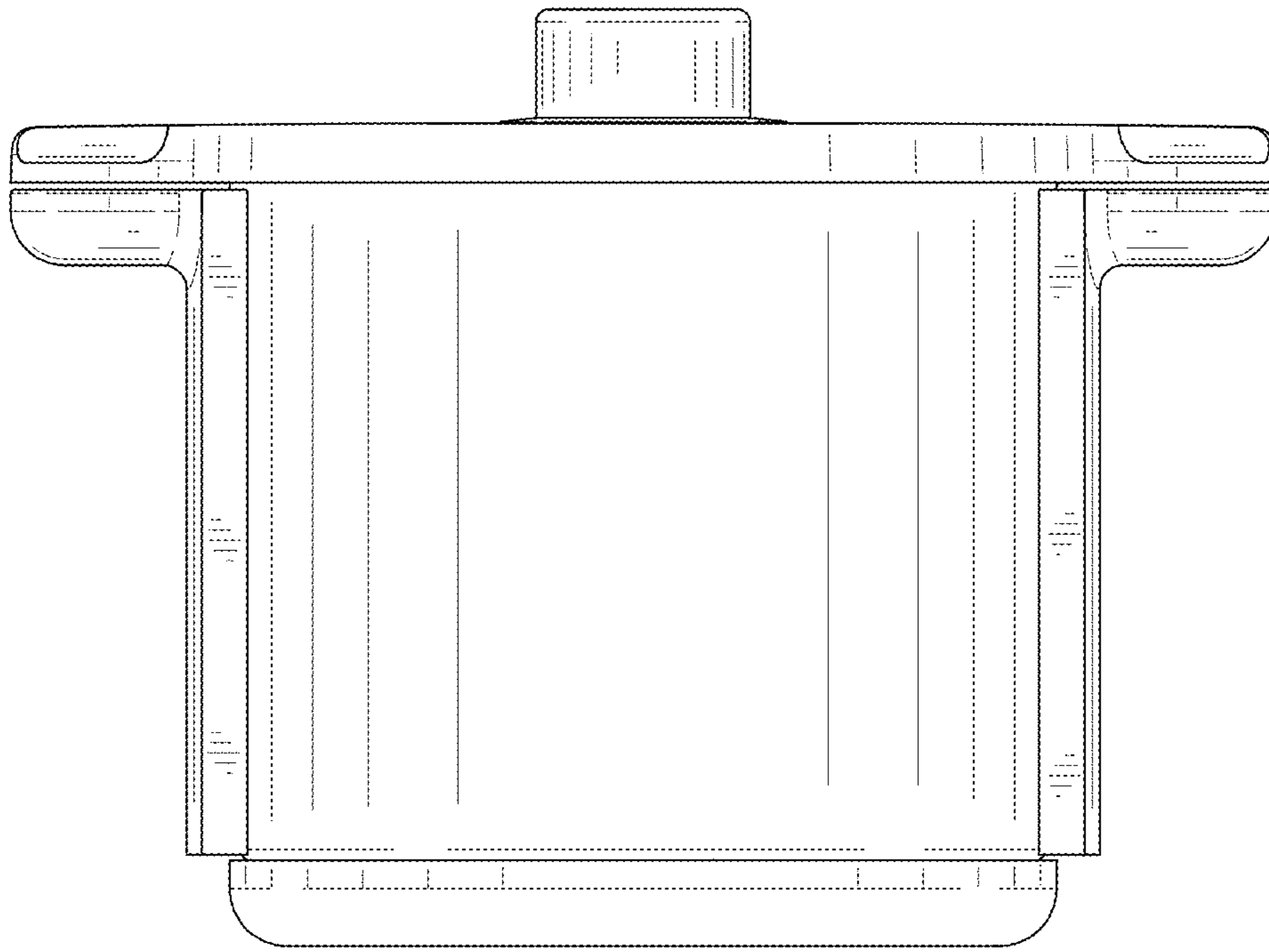


FIG. 4

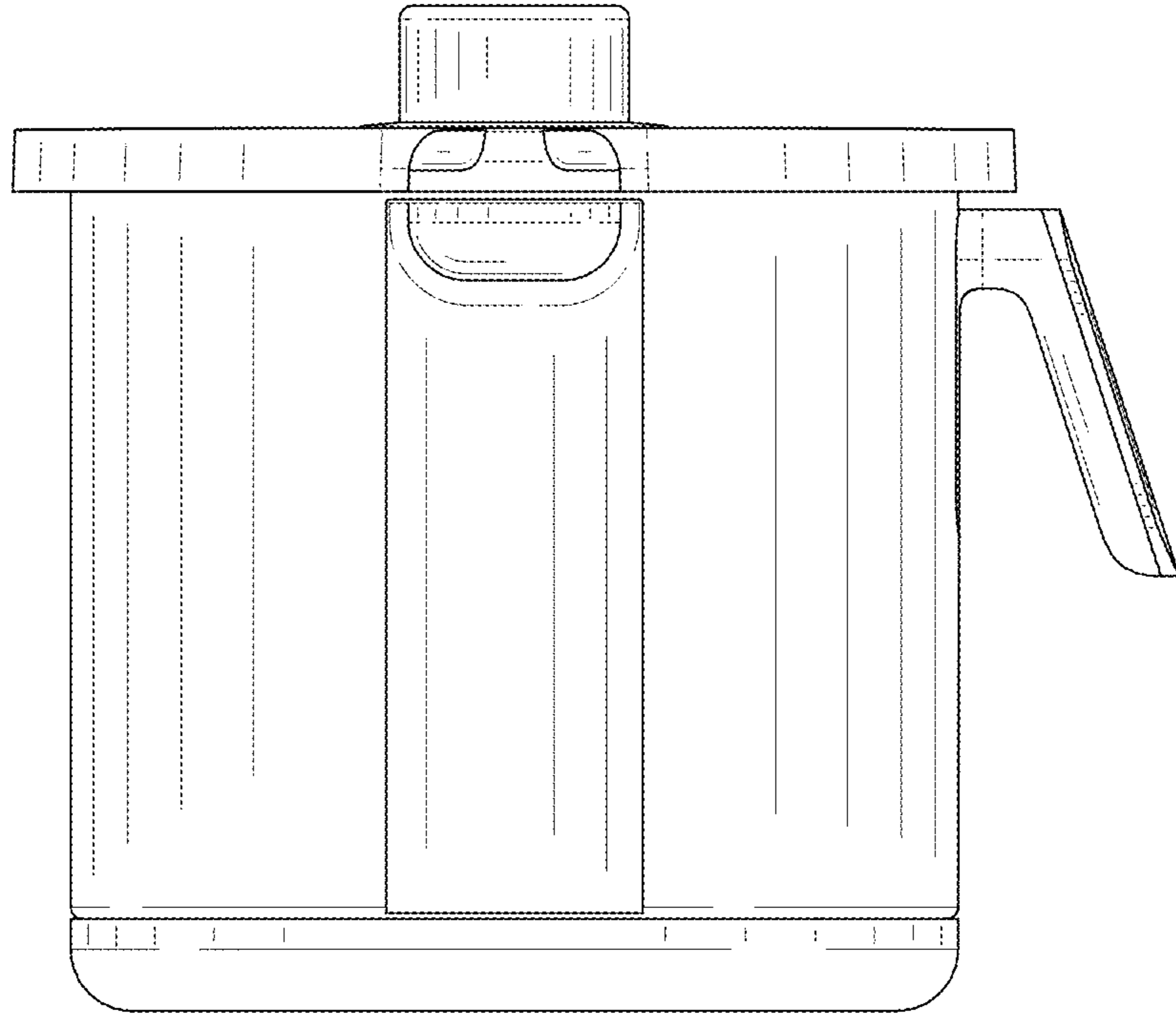


FIG. 5

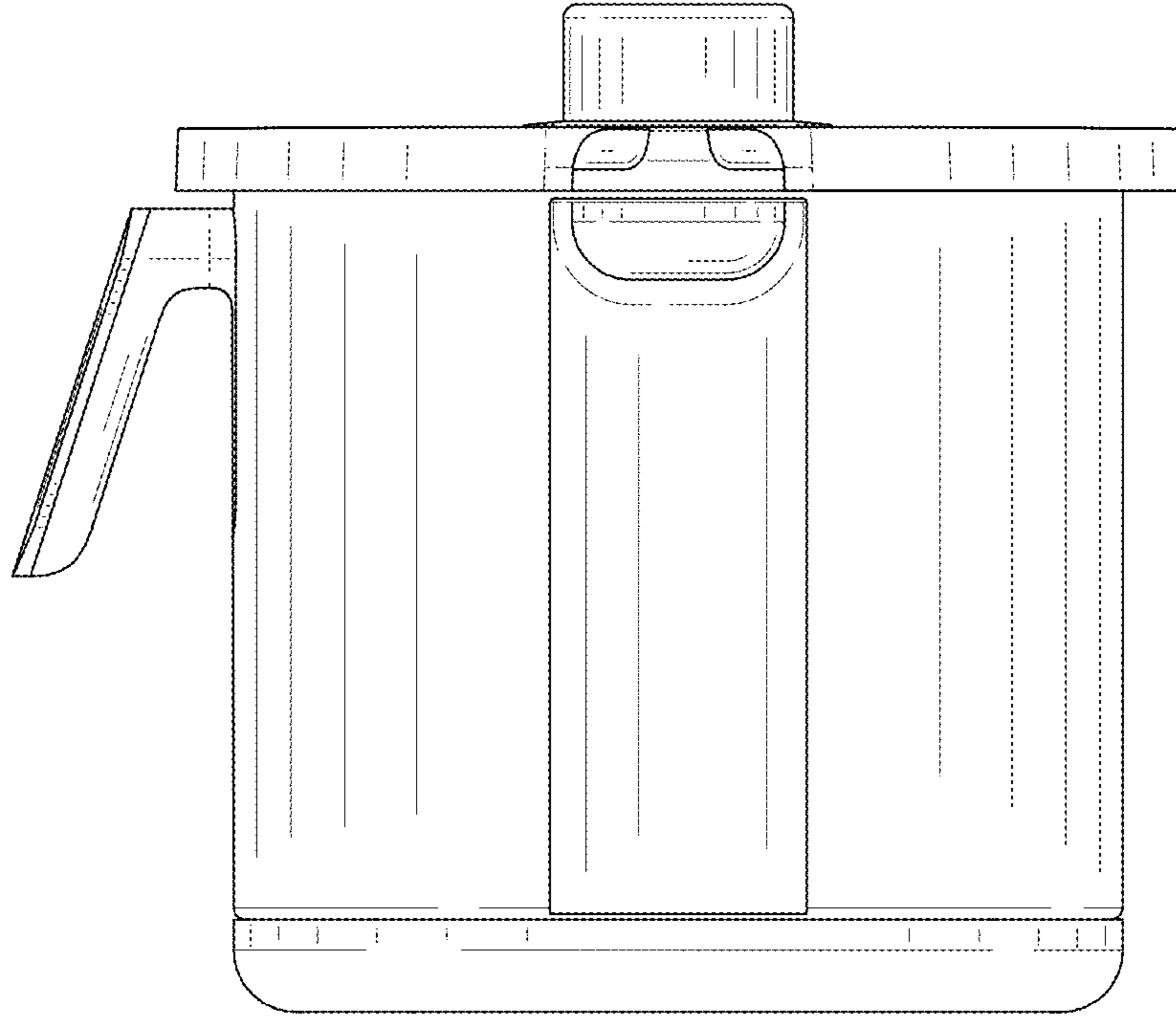


FIG. 6



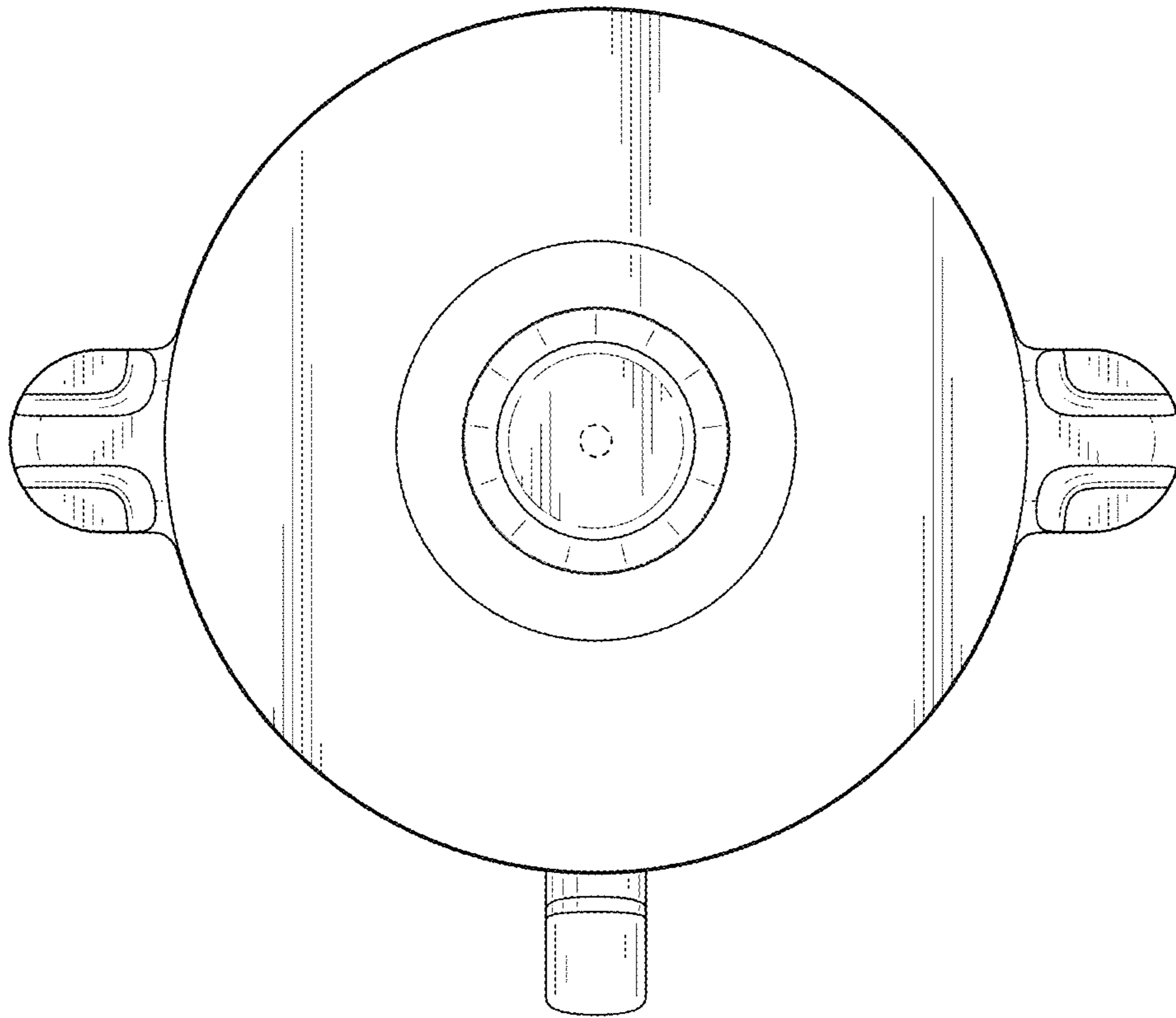


FIG. 7

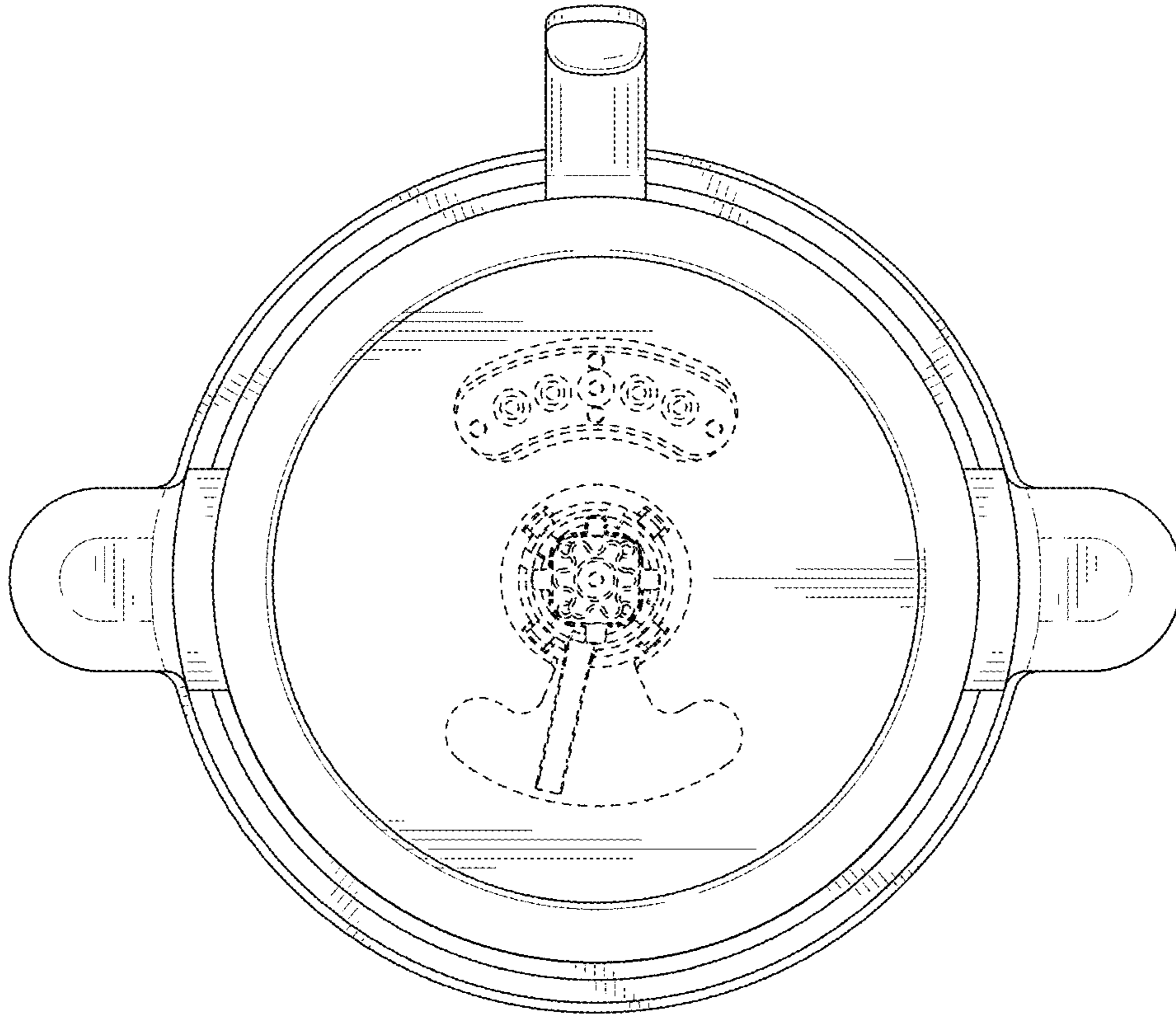


FIG. 8

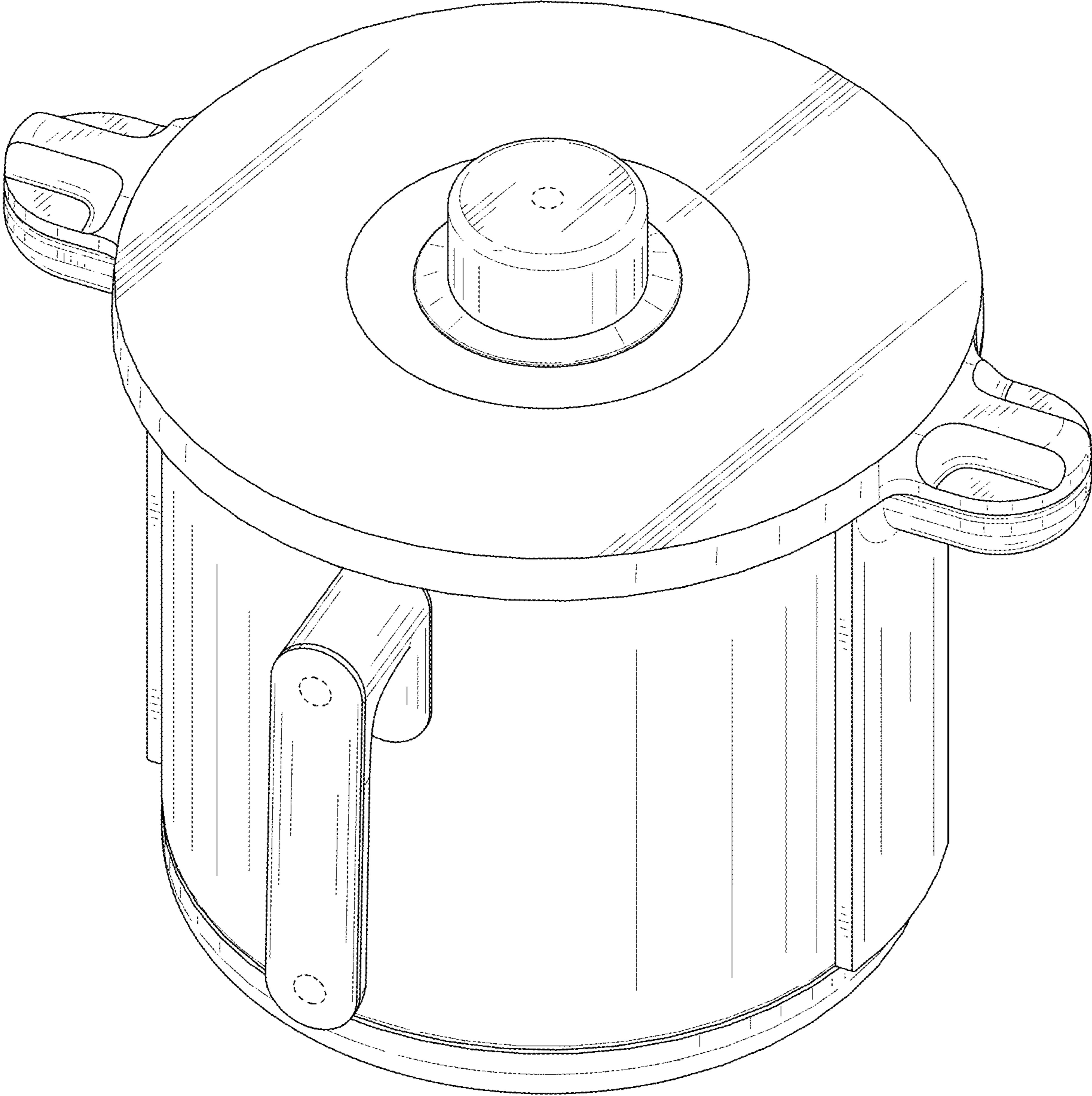


FIG. 9

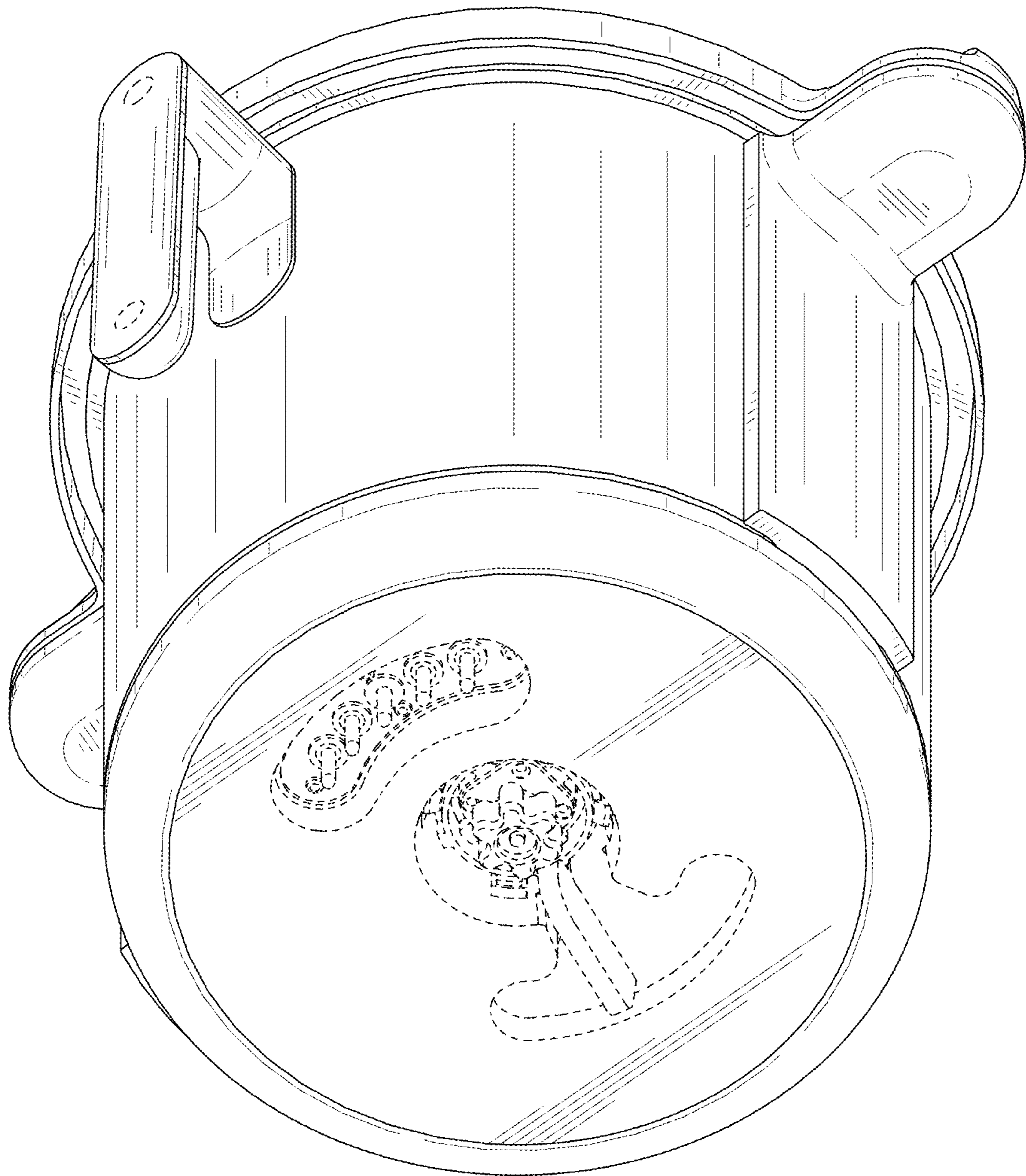


FIG. 10

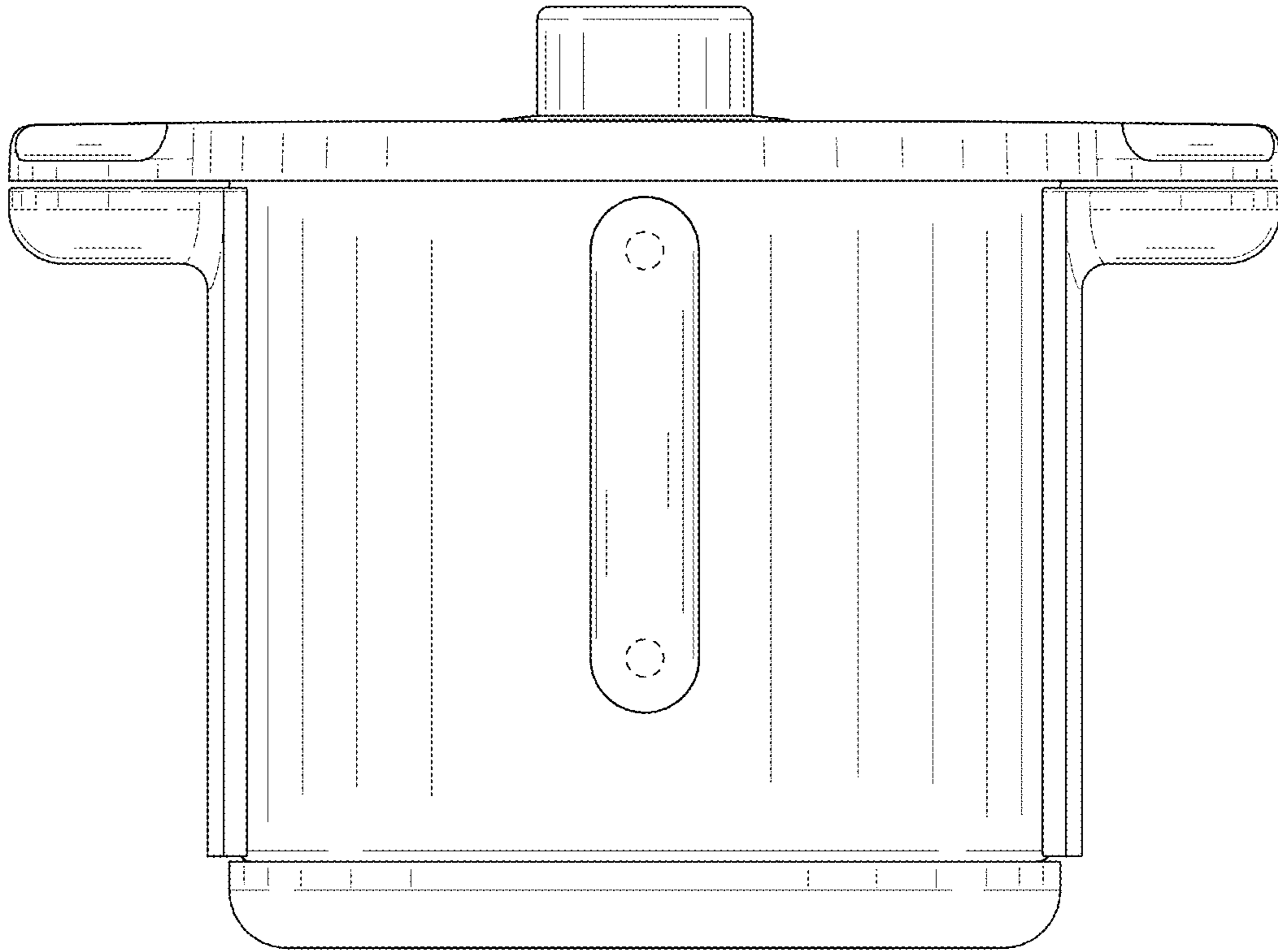


FIG. 11

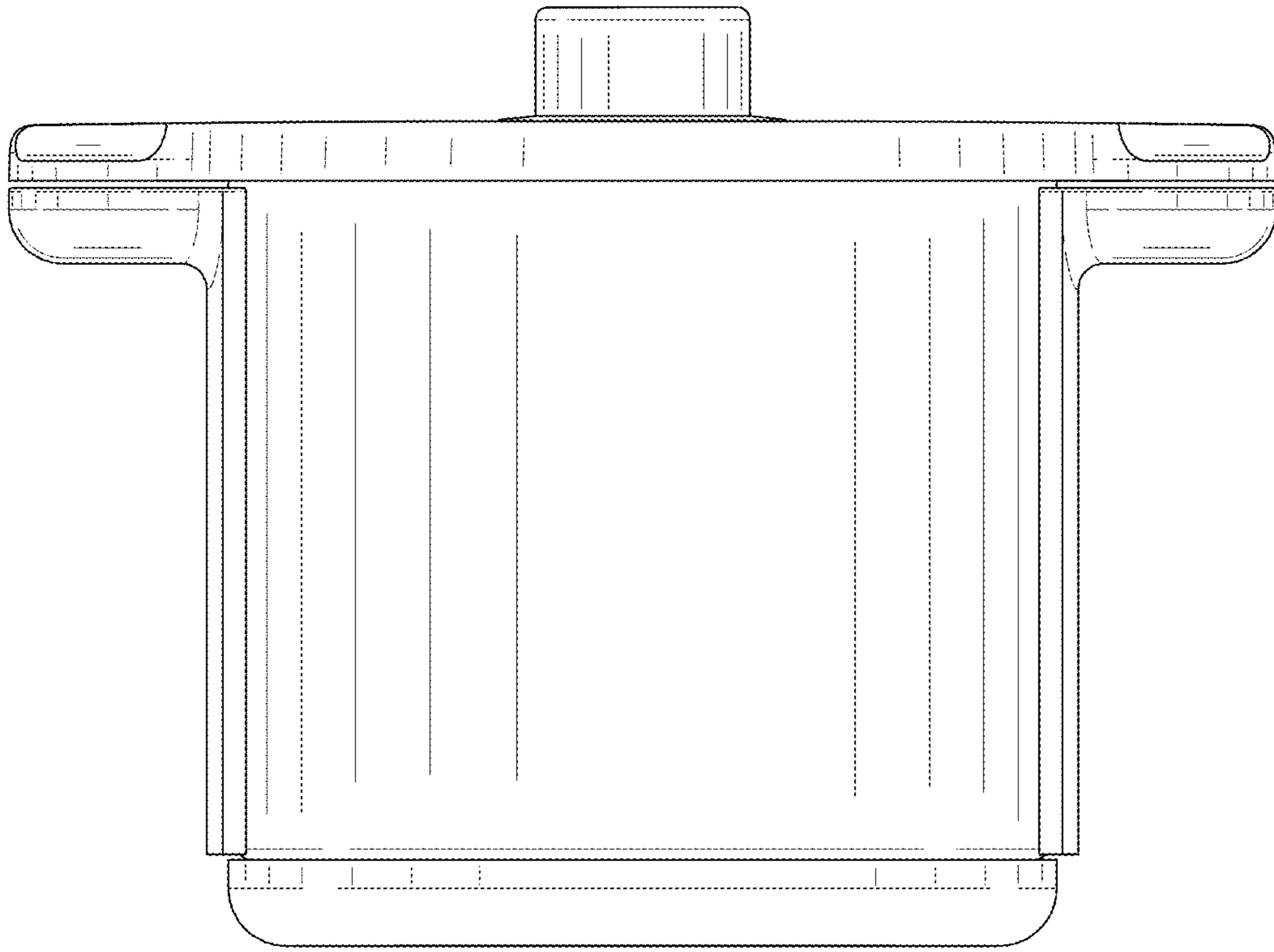


FIG. 12



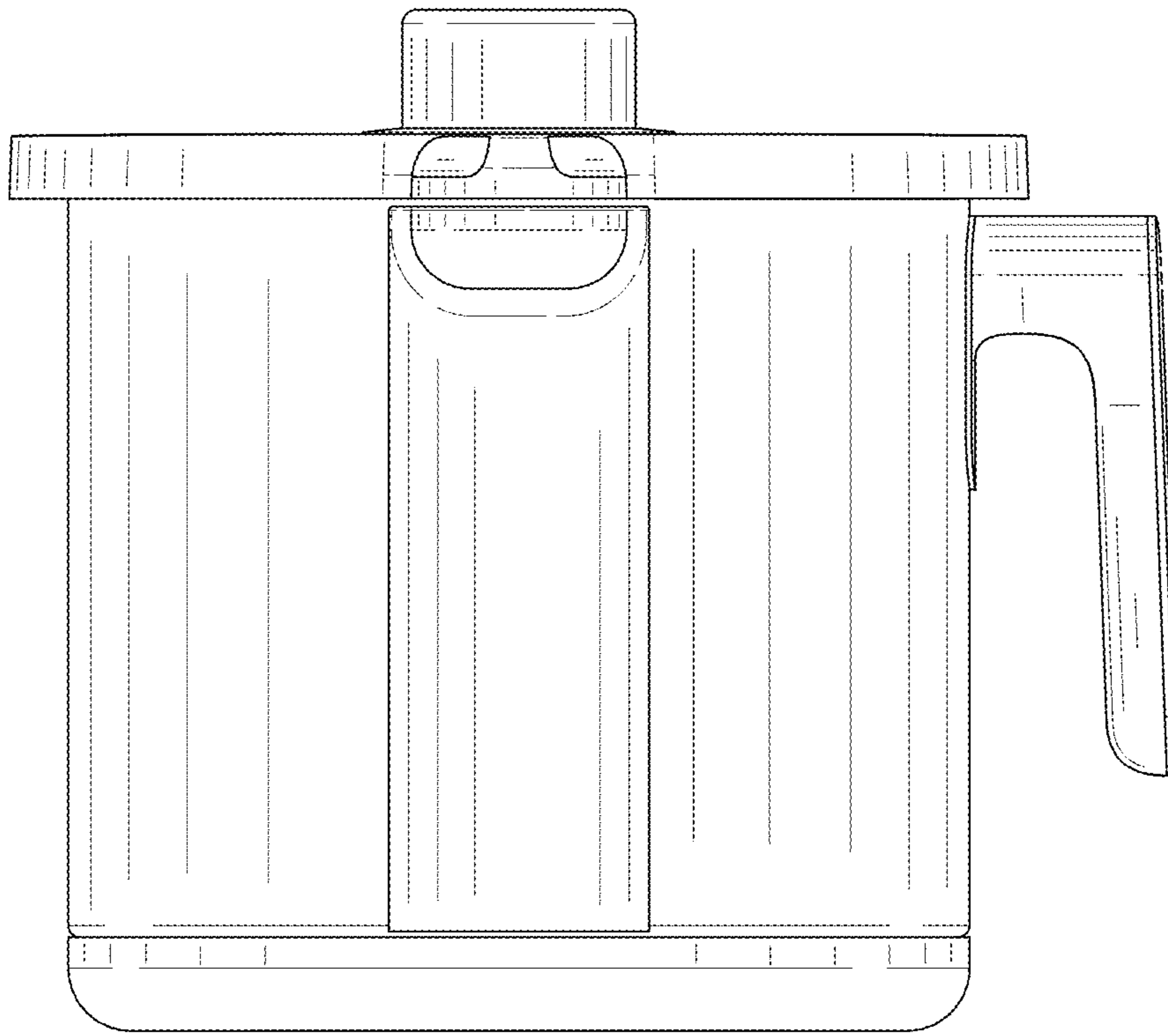


FIG. 13

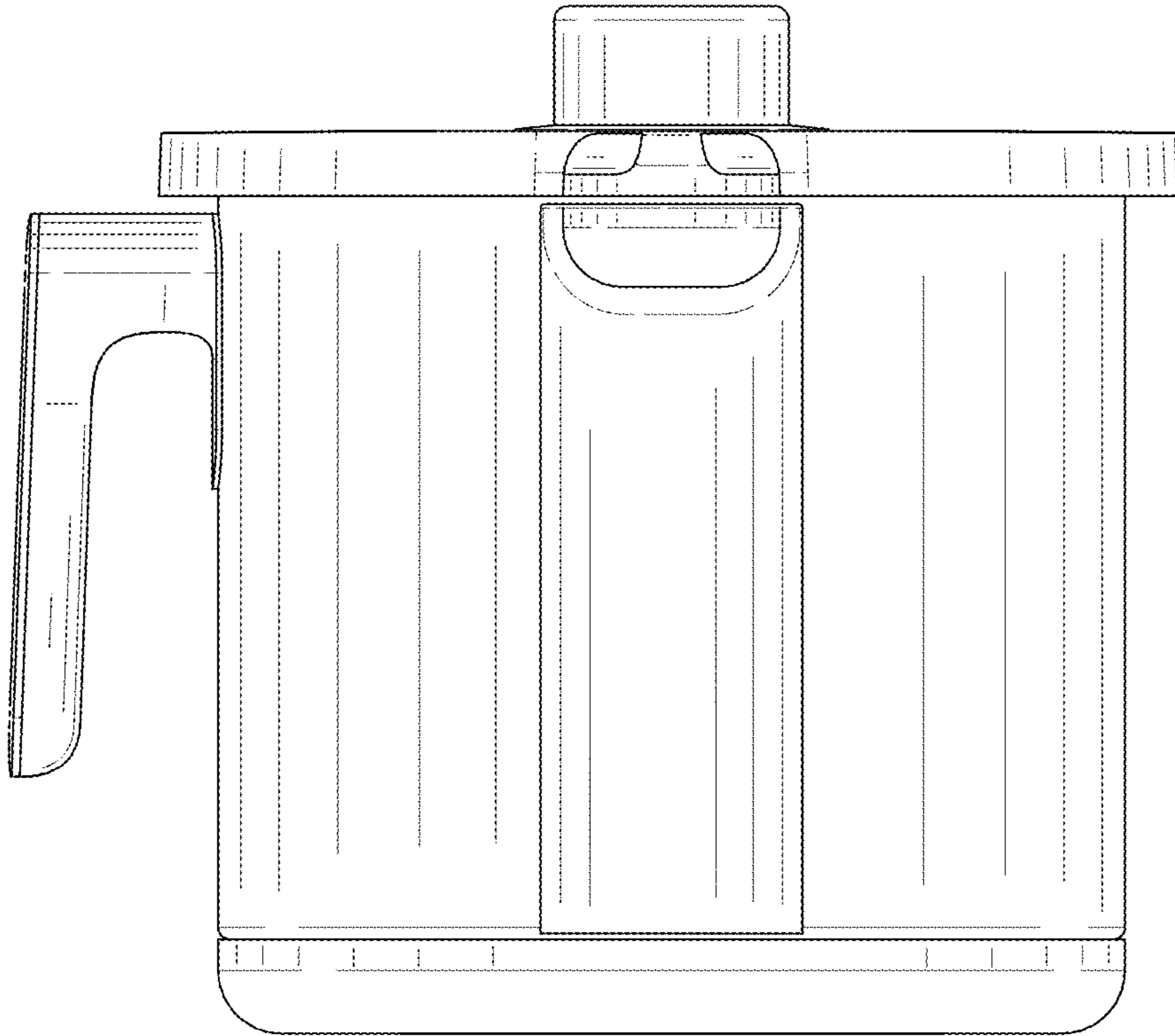


FIG. 14

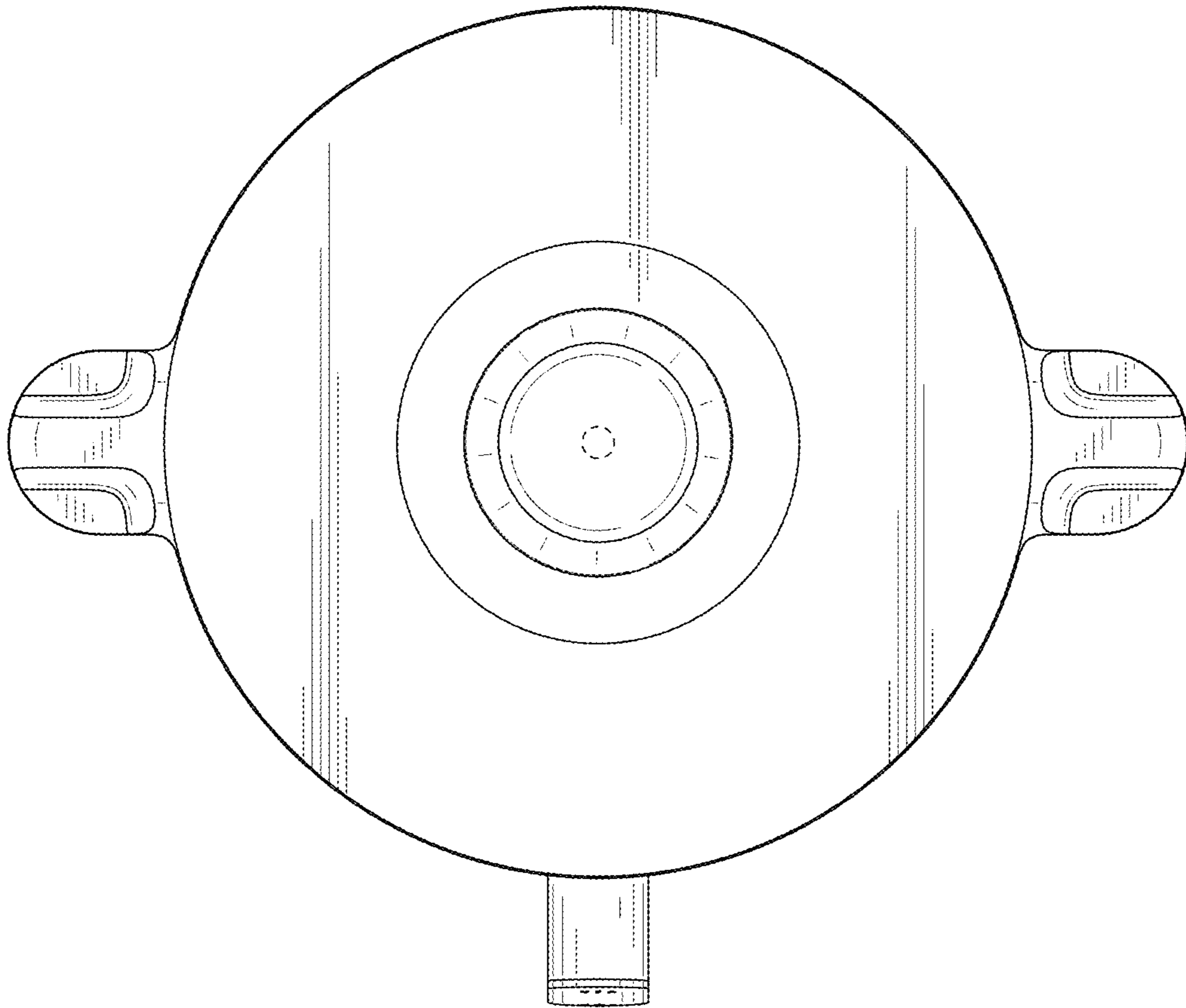


FIG. 15

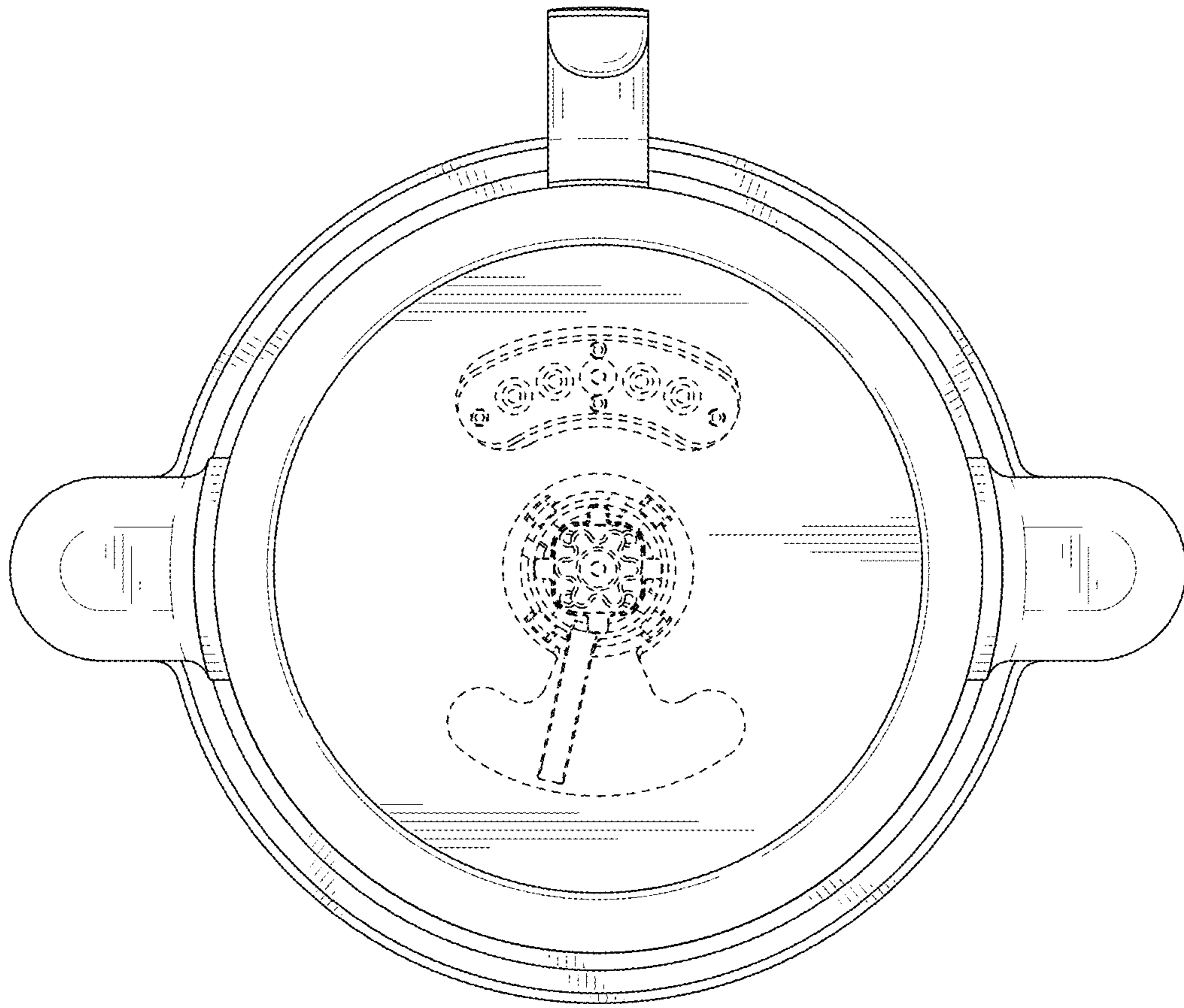


FIG. 16