



US00D935273S

(12) **United States Design Patent**
Bacharach

(10) **Patent No.:** **US D935,273 S**

(45) **Date of Patent:** **** Nov. 9, 2021**

(54) **COOKWARE DEVICE**

(71) Applicant: **Eliahu Bacharach**, Lakewood, NJ (US)

(72) Inventor: **Eliahu Bacharach**, Lakewood, NJ (US)

(**) Term: **15 Years**

(21) Appl. No.: **29/739,936**

(22) Filed: **Jun. 30, 2020**

(51) **LOC (13) Cl.** **07-02**

(52) **U.S. Cl.**

USPC **D7/409**; D7/357; D7/366

(58) **Field of Classification Search**

USPC D7/323, 332, 335-337, 354-355, 357,
D7/359-364, 387-388, 402, 407-409,

D7/501, 553.6; D9/425, 757

CPC A21B 2/00; A21B 3/00; A21B 3/13; A21B
3/15; A21B 5/00; A21B 5/02; A23N

12/06; A23N 12/08; A23N 12/10; A47J

37/00; A47J 37/04; A47J 37/041; A47J

37/042; A47J 37/06; A47J 37/0688; A47J

37/0694; A47J 37/07; A47J 37/0704;

A47J 37/10; A47J 47/20; A47J 36/2405;

A47J 2037/00; A47J 2037/06; A47J

2037/0611; A47J 2037/07; A47J

2037/0786; A47J 2037/0795; B28B

7/241; F24C 15/10; F24C 15/12; F24C

15/14; F24C 15/16; F24C 15/18; F24C

15/164

See application file for complete search history.

(56) **References Cited**

U.S. PATENT DOCUMENTS

1,070,476 A * 8/1913 Hunholz B28B 7/241

249/119

3,034,496 A * 5/1962 Greenwald A47J 36/24

126/261

D208,648 S * 9/1967 Warner D7/611

D393,775 S * 4/1998 Otero D7/553.6

D459,988 S * 7/2002 Hogman D9/757

D506,638 S * 6/2005 Claypool D7/357

D576,838 S * 9/2008 Wong D7/501

D696,896 S * 1/2014 Weskamp D7/357

D774,387 S * 12/2016 Joergensen D9/425

D848,779 S * 5/2019 Szymanski D7/357

D848,780 S * 5/2019 Lombardo D7/357

D892,536 S * 8/2020 Zou D7/357

* cited by examiner

Primary Examiner — Ricky Pham

(57) **CLAIM**

I claim the ornamental design for a cookware device, substantially as shown and described.

DESCRIPTION

FIG. 1 is a top perspective view of the cookware device showing my new design;

FIG. 2 is a front elevation view thereof; the rear view being mirror image;

FIG. 3 is a side elevation view thereof; the opposite side view being mirror image;

FIG. 4 is a top view thereof;

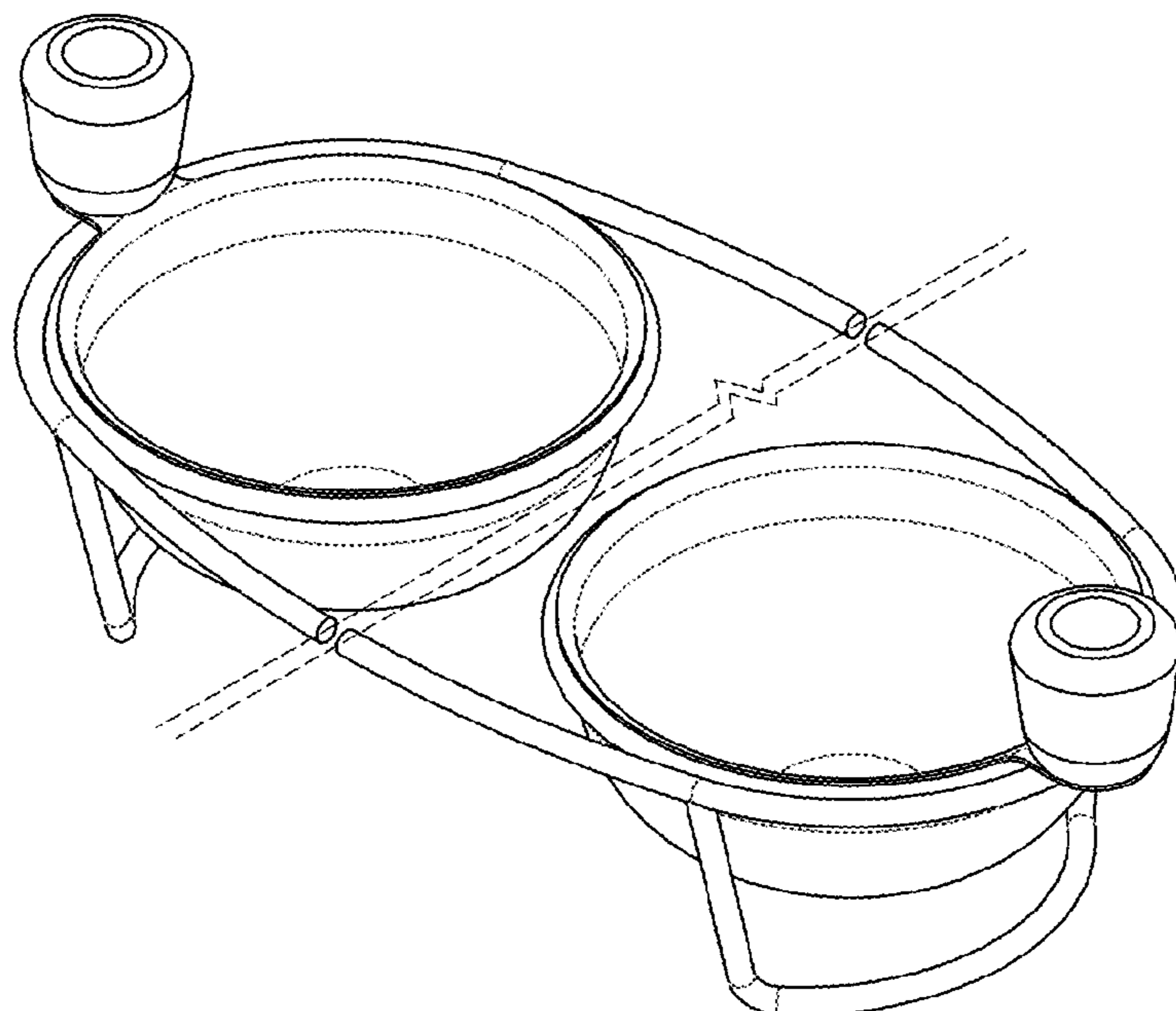
FIG. 5 is a bottom view thereof; and,

FIG. 6 is a bottom, perspective thereof.

A description of the appearance of the article is as follows:

A cookware device, the broken lines showing portions of the design in the figures are included for the purpose of illustrating environment and unclaimed features and forms not part of the claimed design.

1 Claim, 6 Drawing Sheets



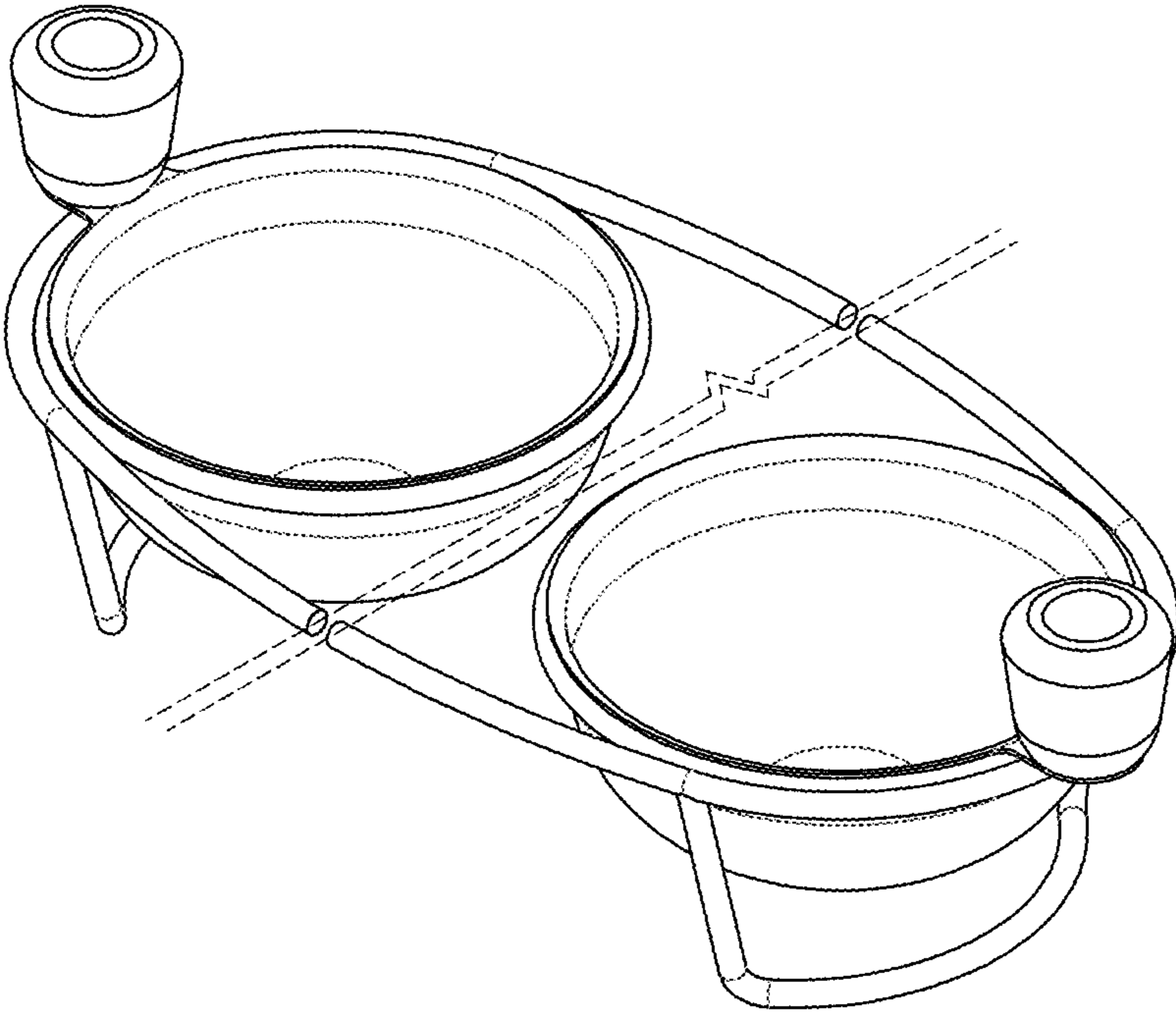


FIG. 1

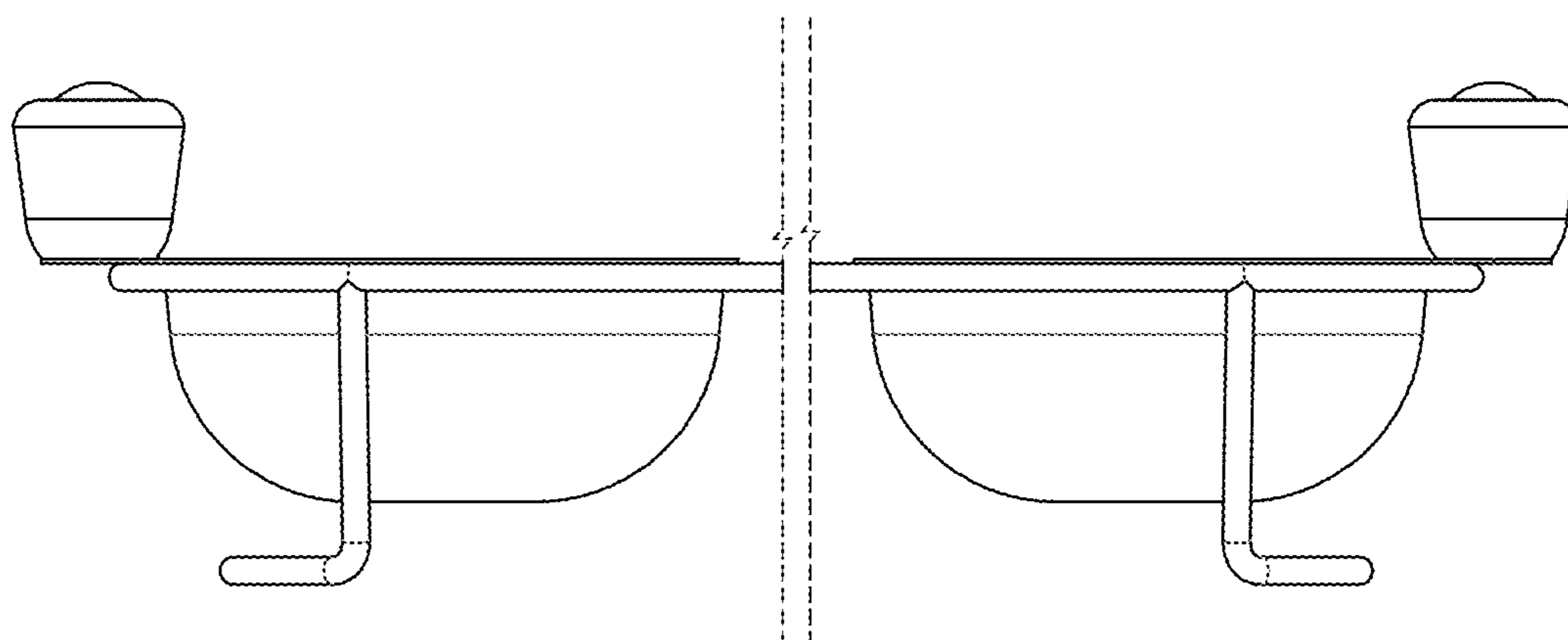


FIG. 2

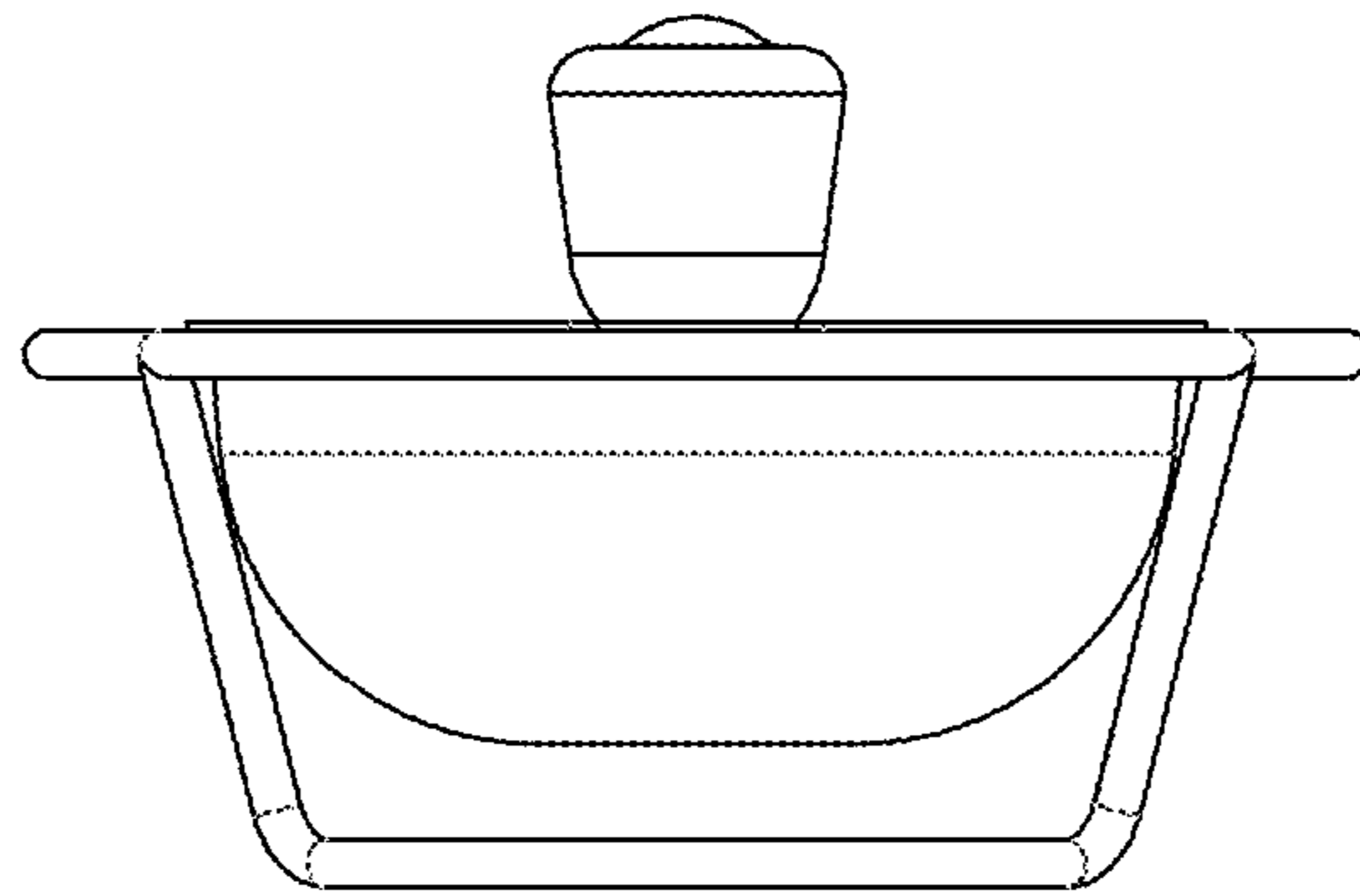


FIG. 3

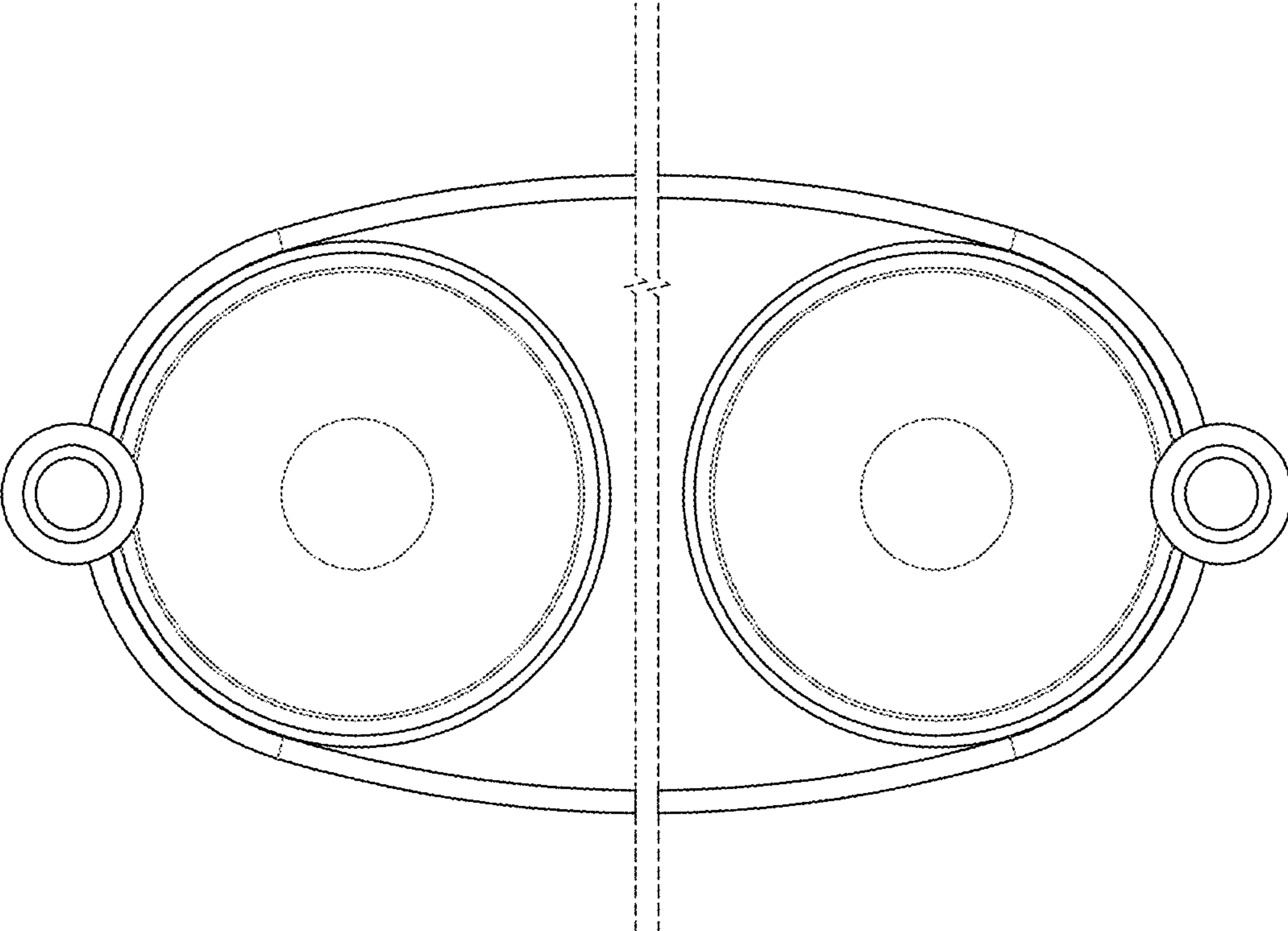


FIG. 4

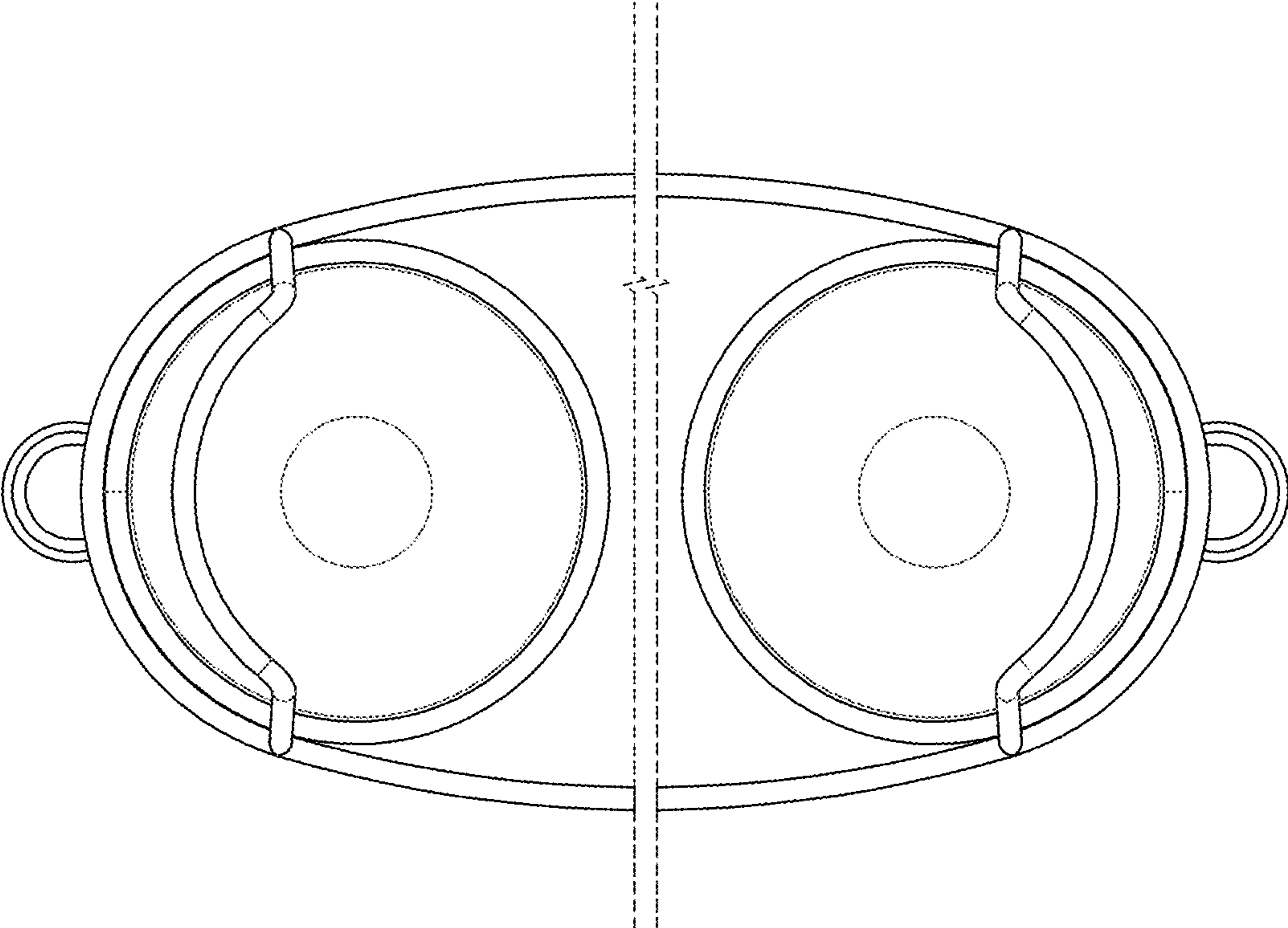


FIG. 5

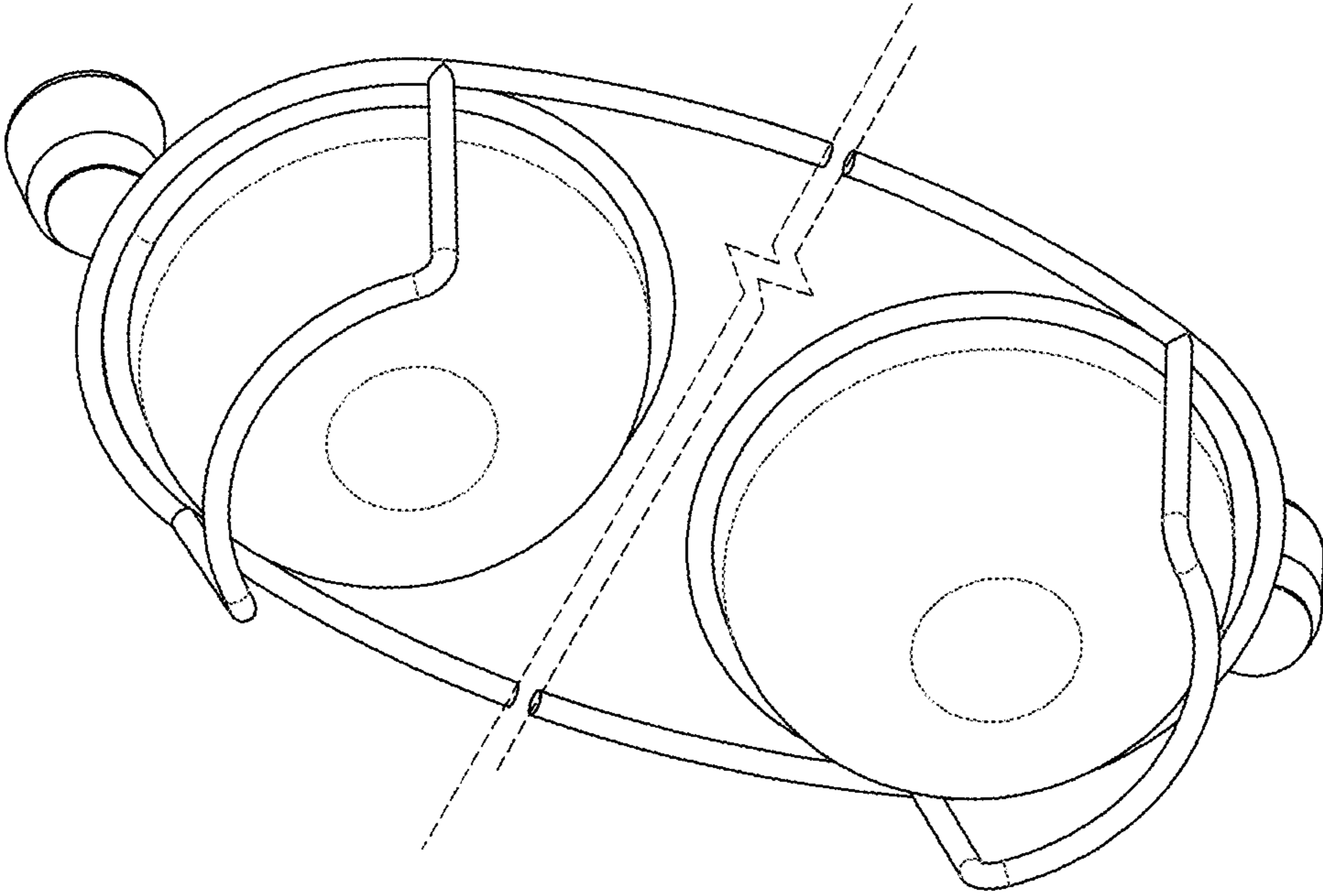


FIG. 6