



US00D935272S

(12) **United States Design Patent**
Peterson et al.

(10) **Patent No.:** **US D935,272 S**
(45) **Date of Patent:** **** Nov. 9, 2021**

- (54) **RACK FOR A SMOKER**
- (71) Applicants: **Edwin Peterson**, Chattanooga, TN
(US); **Leo Kanugh**, Gilbert, AR (US)
- (72) Inventors: **Edwin Peterson**, Chattanooga, TN
(US); **Leo Kanugh**, Gilbert, AR (US)
- (**) Term: **15 Years**
- (21) Appl. No.: **29/683,582**
- (22) Filed: **Mar. 14, 2019**
- (51) **LOC (13) Cl.** **07-02**
- (52) **U.S. Cl.**
USPC **D7/409**
- (58) **Field of Classification Search**
USPC D7/323, 332, 335-337, 354-355,
D7/359-364, 387-388, 393, 394, 402,
D7/407-409, 552.1, 554.3, 698; D19/92
CPC A21B 2/00; A21B 3/00; A21B 3/13; A21B
3/15; A21B 5/00; A21B 5/02; A23N
12/06; A23N 12/08; A23N 12/10; A45D
2/002; A47J 37/00; A47J 37/04; A47J
37/041; A47J 37/042; A47J 37/06; A47J
37/067; A47J 37/0676; A47J 37/0688;
A47J 37/0694; A47J 37/07; A47J
37/0704; A47J 37/0786; A47J 37/10;
A47J 47/20; A47J 2037/00; A47J
2037/06; A47J 2037/0611; A47J 2037/07;
A47J 2037/0786; A47J 2037/0795; B21D
53/74; F24C 15/024; F24C 15/10; F24C
15/12; F24C 15/14; F24C 15/16; F24C
15/18; F24C 15/164
See application file for complete search history.

5,906,193 A	5/1999	Leach et al.	
6,142,140 A	11/2000	Shumaker	
D436,004 S	1/2001	Wagner	
D454,753 S	3/2002	Pai	
6,666,343 B1	12/2003	Liu	
6,718,865 B1	4/2004	Monteleone	
D588,815 S	3/2009	Ghiorghie	
7,647,866 B2 *	1/2010	Button	A47J 37/067 99/422
7,665,456 B2	2/2010	DeMars	
D613,117 S *	4/2010	Richburg	D7/409
D614,915 S *	5/2010	Schnitman	D7/409
D641,210 S *	7/2011	Hamilton	D7/554.3
D655,989 S *	3/2012	Nelms	D7/698
8,176,841 B2	5/2012	Hatjopoulos et al.	
D676,721 S *	2/2013	Button	D7/698
9,032,949 B2	5/2015	Nilssen, II	
D745,802 S *	12/2015	Yao	D7/363
9,883,770 B2	2/2018	Hunt et al.	
D833,207 S *	11/2018	Zemel	D7/363
D848,204 S *	5/2019	Chung	D7/363
10,327,588 B2 *	6/2019	Dahle	A47J 37/0786

(Continued)

Primary Examiner — Ricky Pham
(74) *Attorney, Agent, or Firm* — Cramer Patent & Design,
PLLC; Aaron R. Cramer

(57) **CLAIM**

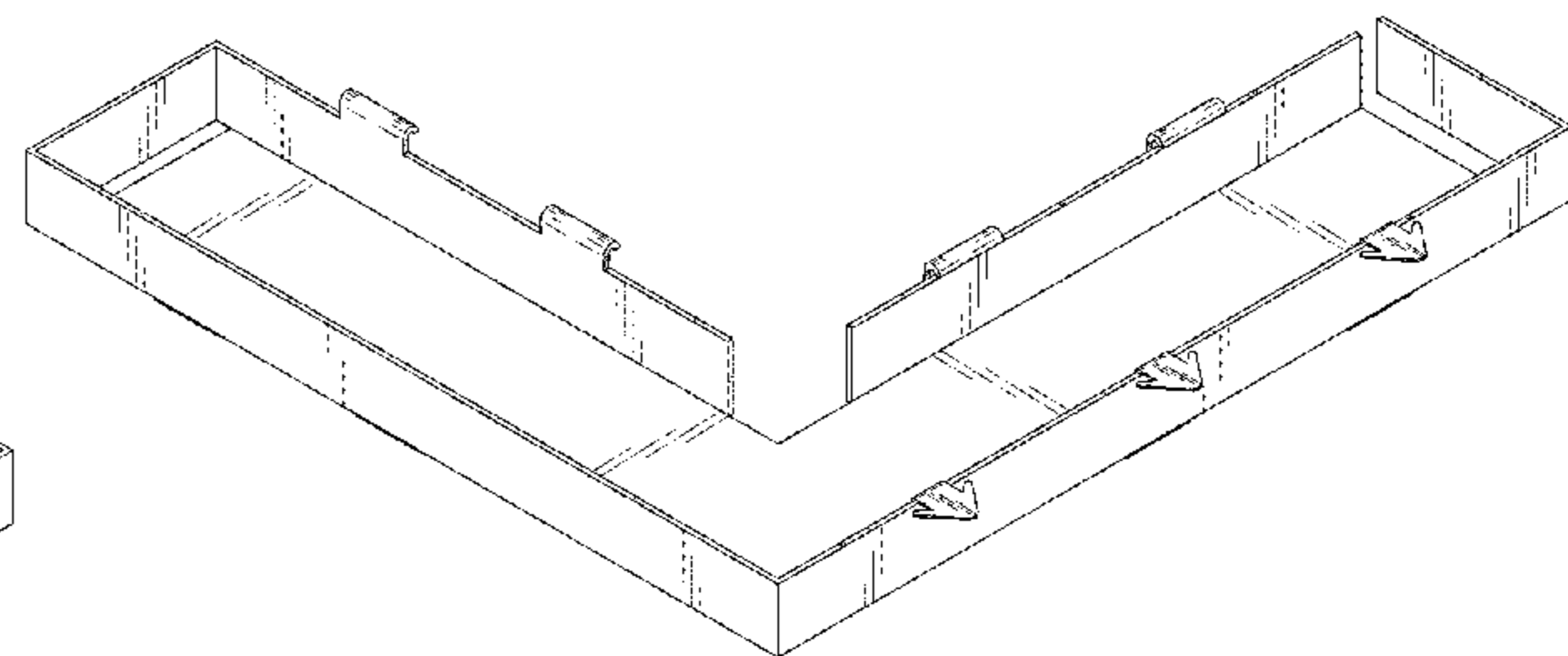
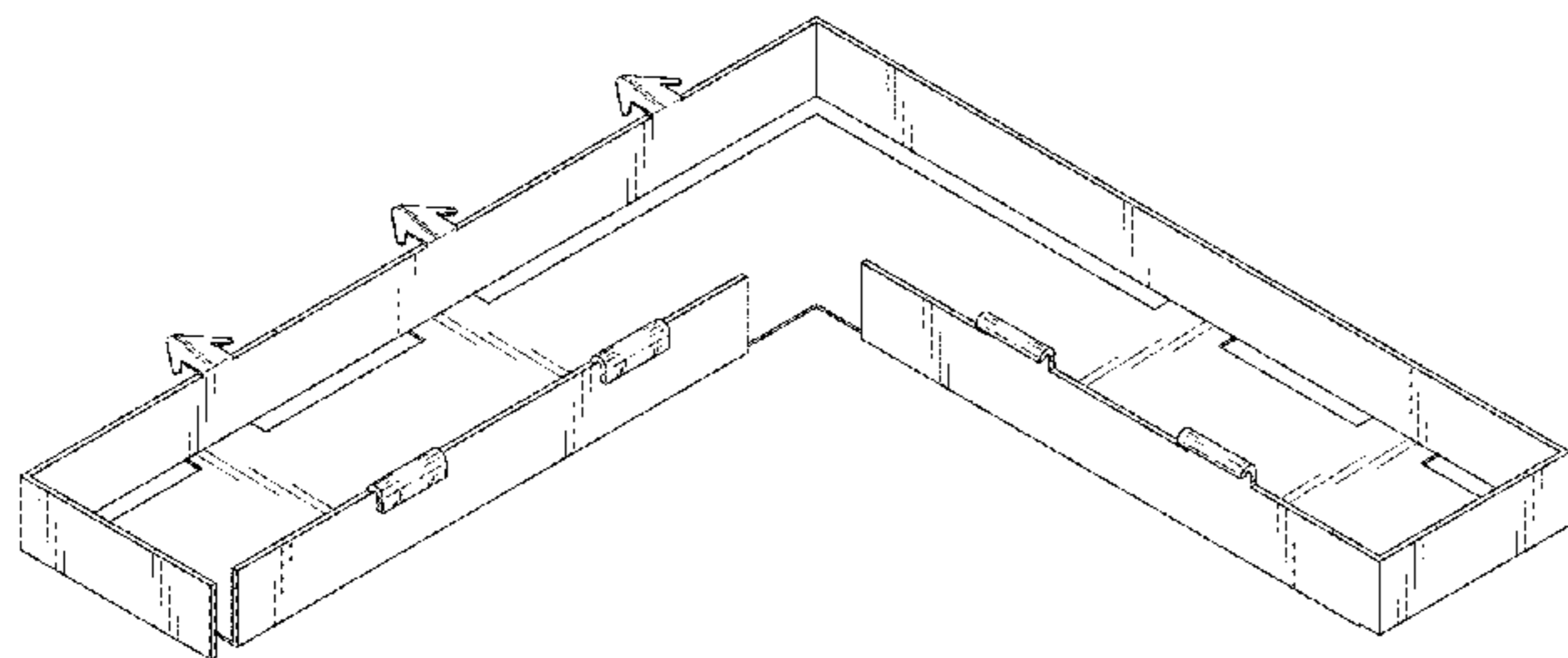
The ornamental design for a rack for a smoker, as shown and described.

DESCRIPTION

FIG. 1 is a perspective top front right view of a rack for a smoker, showing our new design;
FIG. 2 is a perspective top rear left view thereof;
FIG. 3 is a front elevation view thereof;
FIG. 4 is a rear elevation view thereof;
FIG. 5 is a right elevation view thereof;
FIG. 6 is a left elevation plan view thereof;
FIG. 7 is a top plan view thereof; and,
FIG. 8 is a bottom plan view thereof.

1 Claim, 6 Drawing Sheets

- (56) **References Cited**
U.S. PATENT DOCUMENTS
D260,907 S * 9/1981 Giulie D19/92
D377,735 S 2/1997 Craven



(56)

References Cited

U.S. PATENT DOCUMENTS

2010/0199857 A1* 8/2010 Storiz A47J 37/067
99/422

* cited by examiner

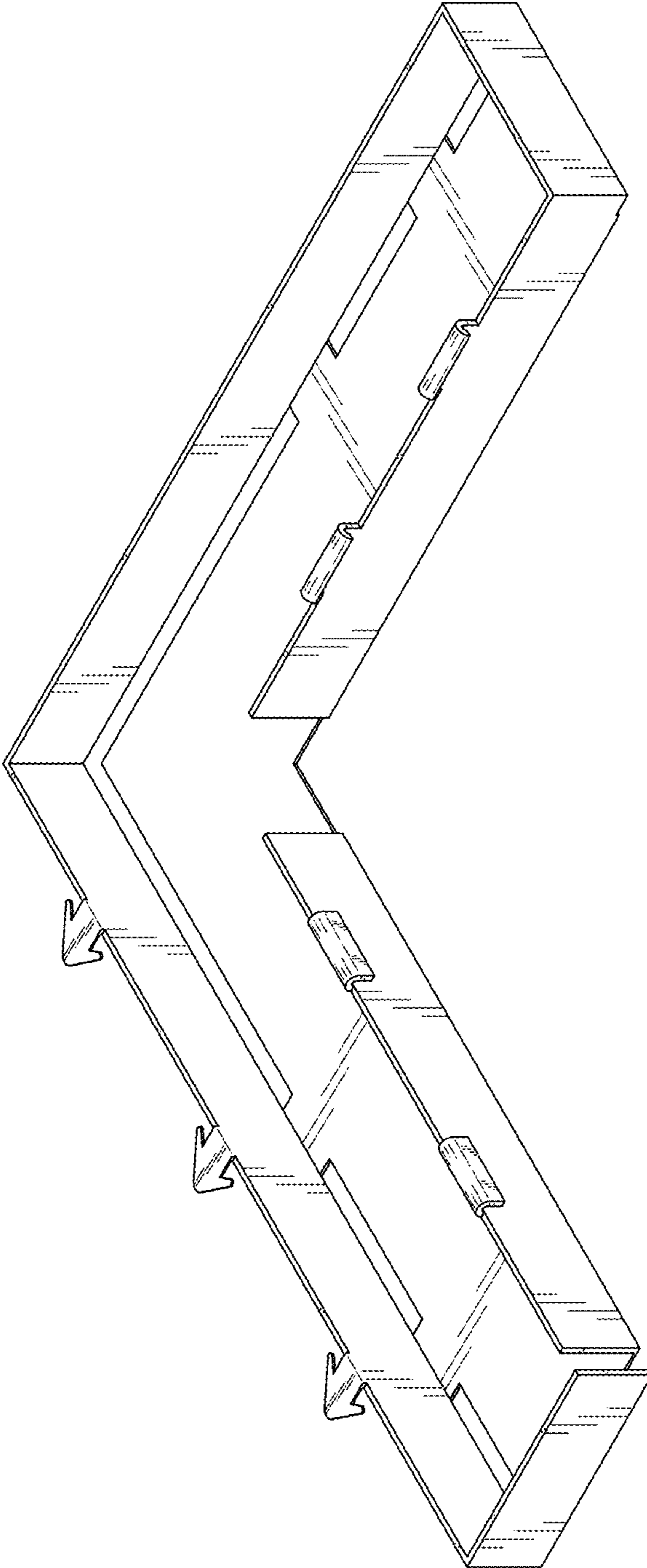


FIG. 1

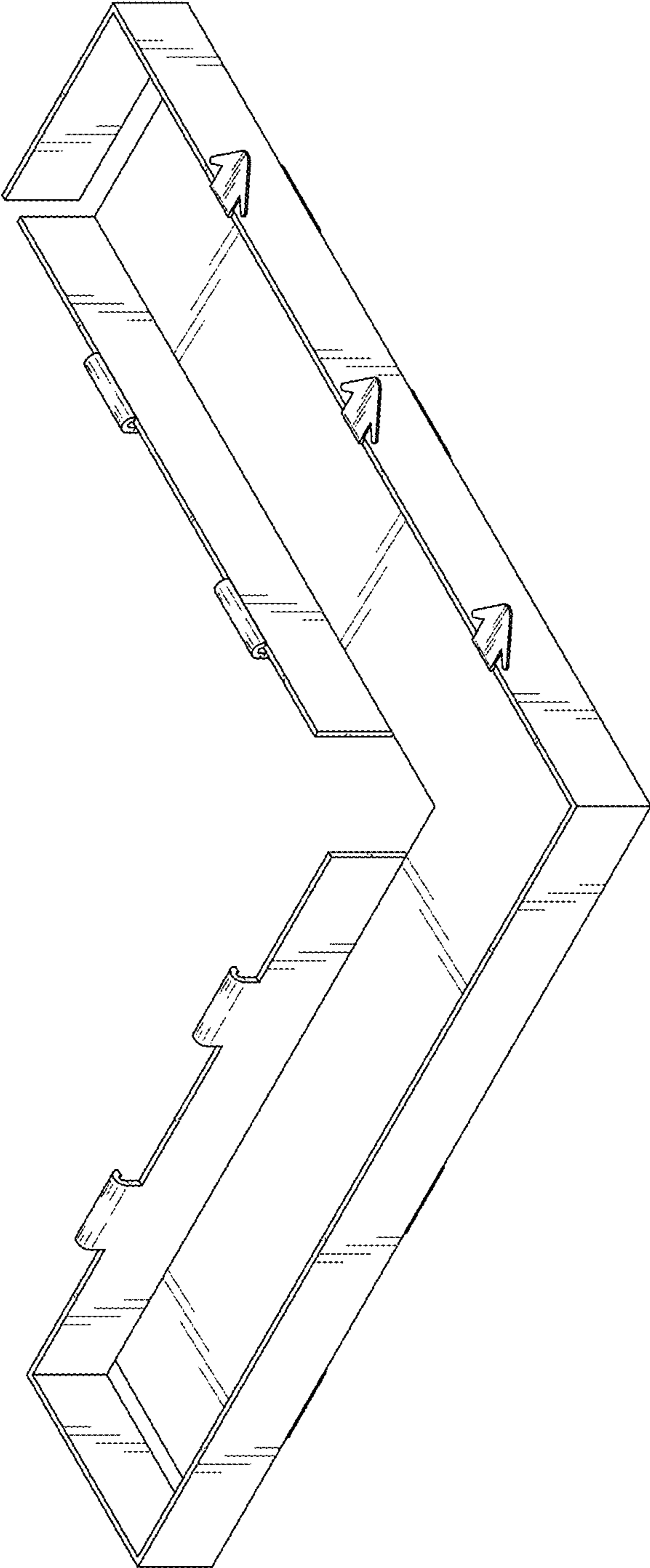


FIG. 2

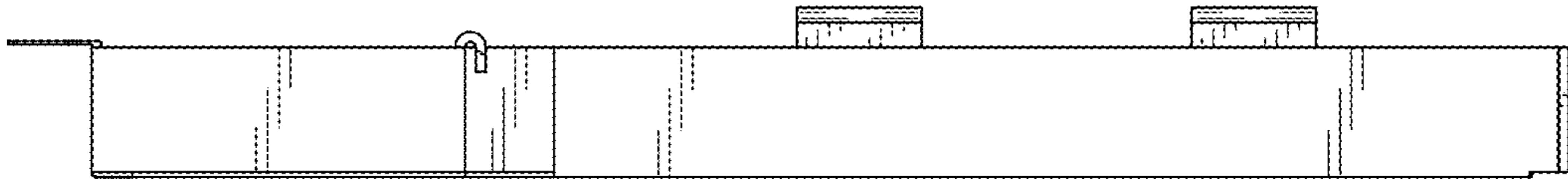


FIG. 3

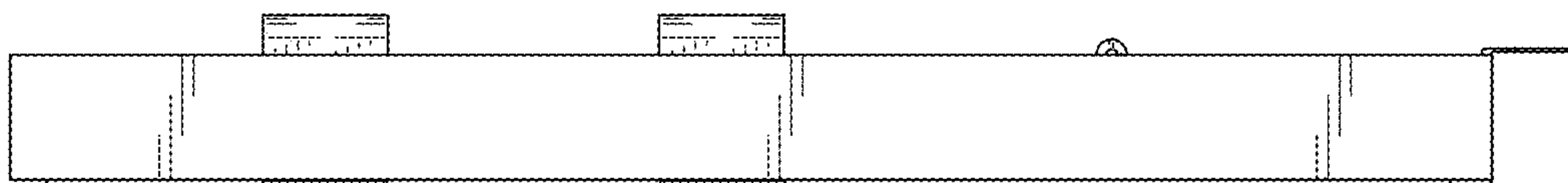


FIG. 4

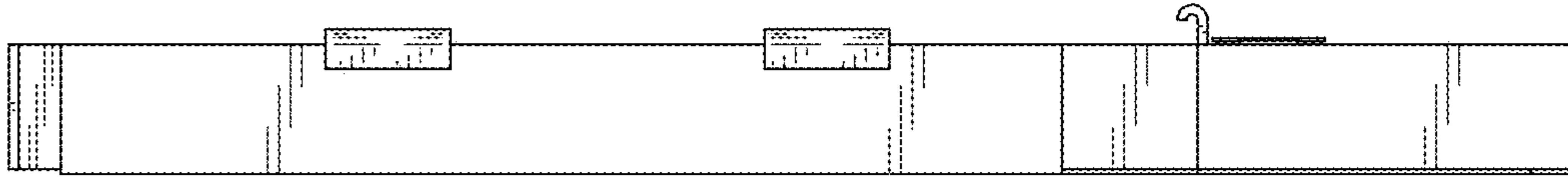


FIG. 5

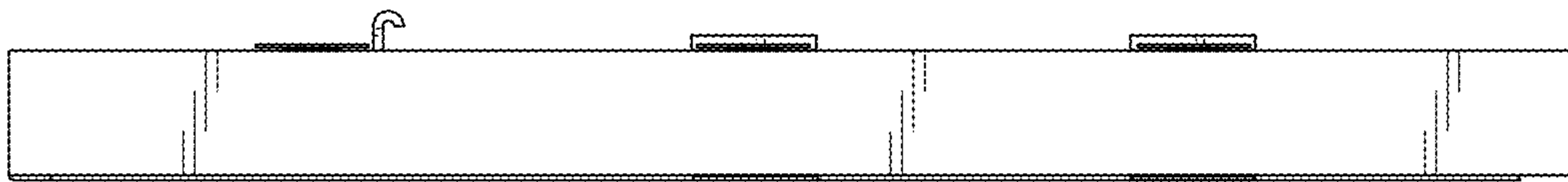


FIG. 6

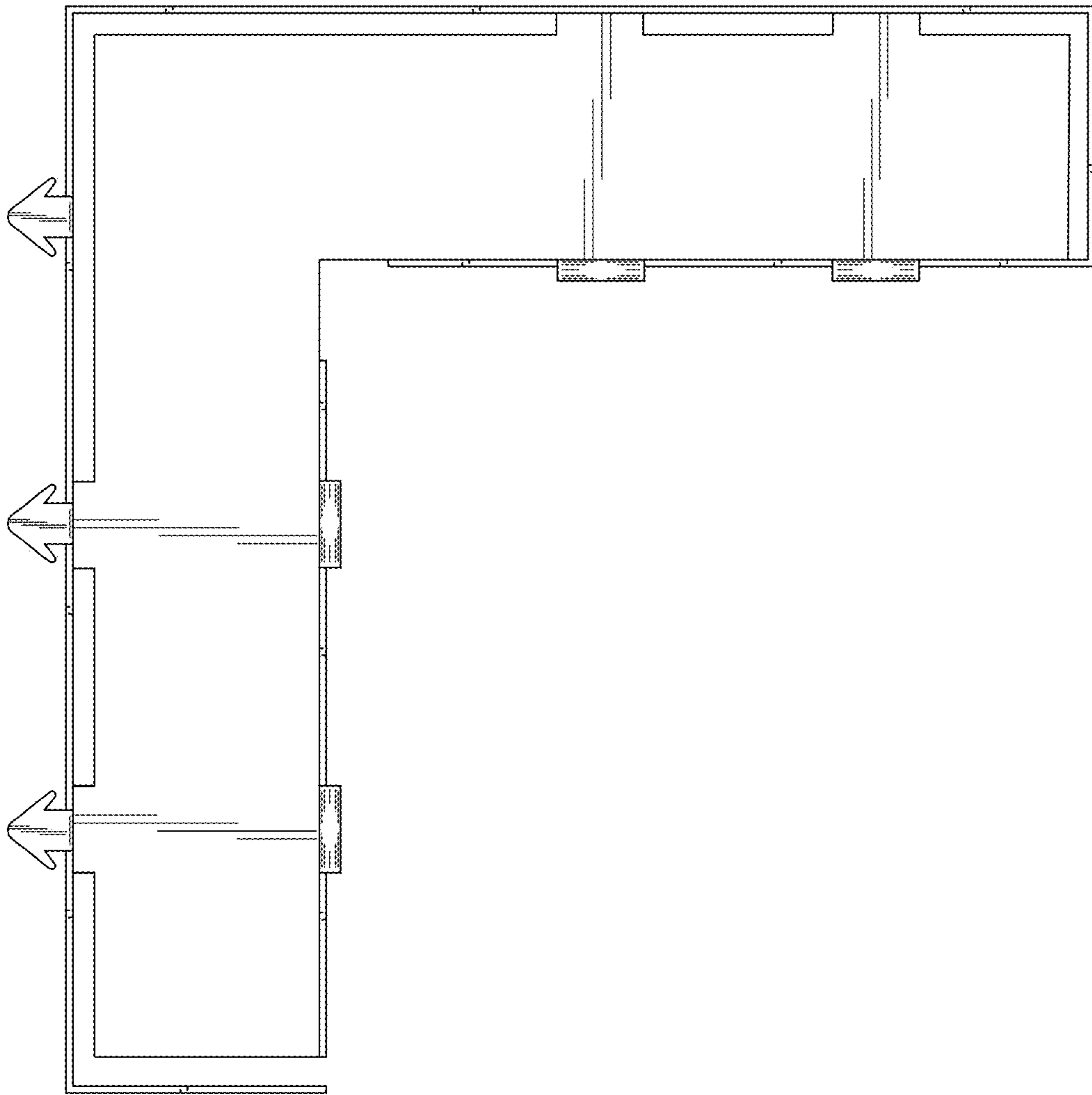


FIG. 7

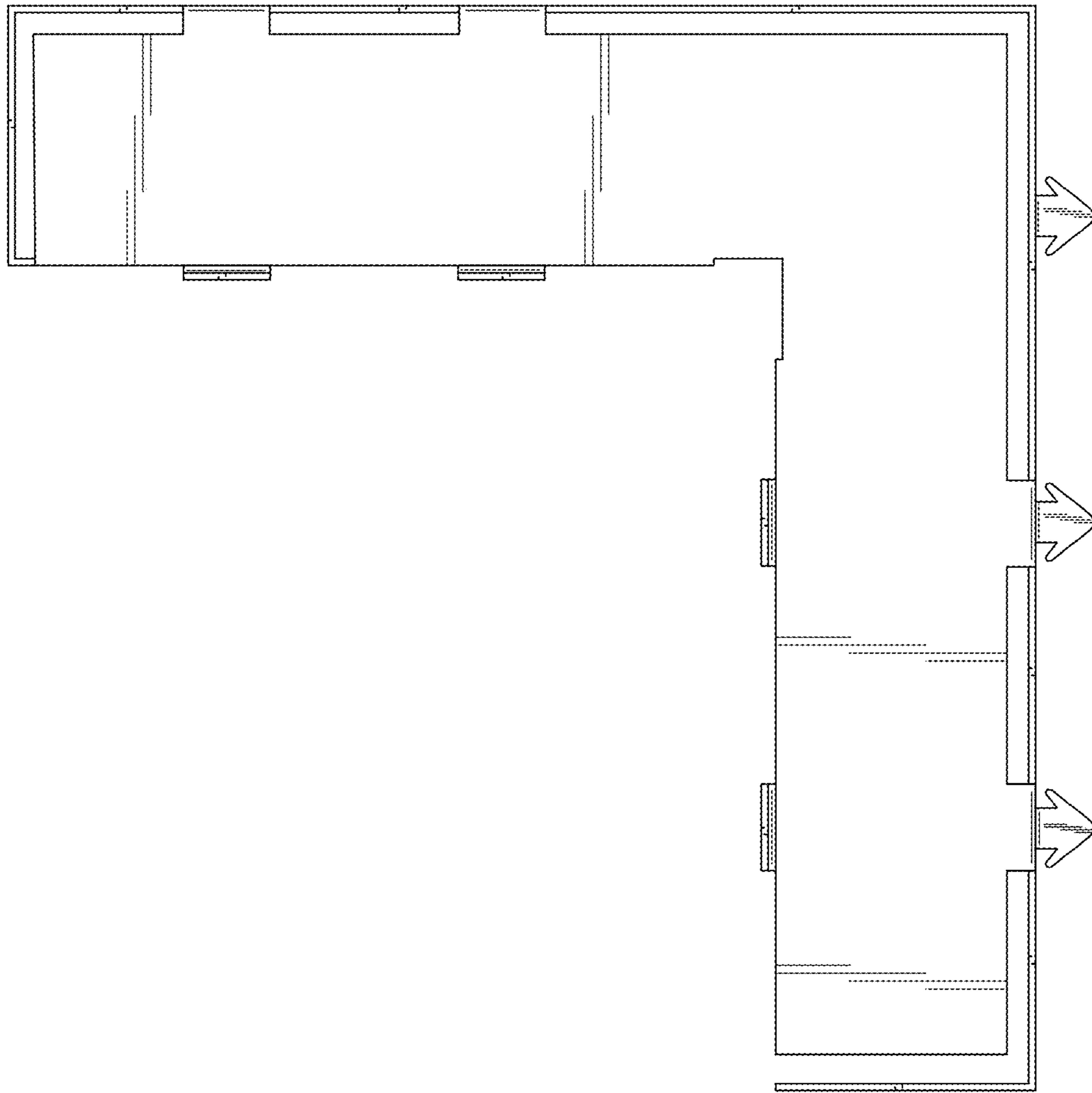


FIG. 8