



US00D935271S

(12) **United States Design Patent** (10) **Patent No.:** **US D935,271 S**
Moon et al. (45) **Date of Patent:** **** Nov. 9, 2021**

(54) **LID FOR A BEVERAGE CARTRIDGE**
(71) Applicant: **NuWave, LLC**, Libertyville, IL (US)
(72) Inventors: **Jung S. Moon**, Long Grove, IL (US);
Jian Jiang Liu, Jiangmen (CN); **Jong Rok Kim**, Seoul (KR)
(73) Assignee: **NuWave, LLC**, Vernon Hills, IL (US)
(**) Term: **15 Years**
(21) Appl. No.: **29/735,077**
(22) Filed: **May 18, 2020**

D710,485 S * 8/2014 Nudo D23/262
D720,838 S * 1/2015 Yamagishi D23/261
D726,286 S * 4/2015 Zeyfang D23/260
D765,163 S * 8/2016 Seymour D17/5
D785,766 S * 5/2017 Sato D23/259
D793,526 S * 8/2017 Behdjat D23/213
D807,171 S * 1/2018 Miller D9/435
9,938,075 B2 * 4/2018 Trombley B65D 85/8043
D829,306 S * 9/2018 Ikedo D23/261
D832,035 S * 10/2018 Scheiber D7/396.2
D834,686 S * 11/2018 Yamada D23/261
D838,816 S * 1/2019 Gerger D23/260
D842,032 S * 3/2019 Thomas D7/400
D844,379 S * 4/2019 Simonazzi D7/400
D844,758 S * 4/2019 Ball A47K 1/14
D23/259

(Continued)

Related U.S. Application Data

(62) Division of application No. 29/646,069, filed on May 1, 2018, now Pat. No. Des. 887,205.
(51) **LOC (13) Cl.** **07-99**
(52) **U.S. Cl.**
USPC **D7/400**
(58) **Field of Classification Search**
USPC D7/300, 302, 303, 305, 397, 399,
D7/316-319, 321, 400, 401, 600, 602,
D7/619.1, 667; D9/434, 435, 452;
D23/209, 259, 260, 261; D3/273, 294
CPC A47J 27/21058; A47J 31/40; A47J 31/41;
A47J 31/44; A47J 47/00; A47G 19/12;
A47G 19/14; A47G 19/145; B01D 35/02;
B65B 39/00; B65D 47/06
See application file for complete search history.

Primary Examiner — Susan E Krakower

Assistant Examiner — Andrew Kerr

(74) *Attorney, Agent, or Firm* — Bishop, Diehl & Lee, Ltd.

(57) **CLAIM**

The ornamental design for a lid for a beverage cartridge, as shown and described.

DESCRIPTION

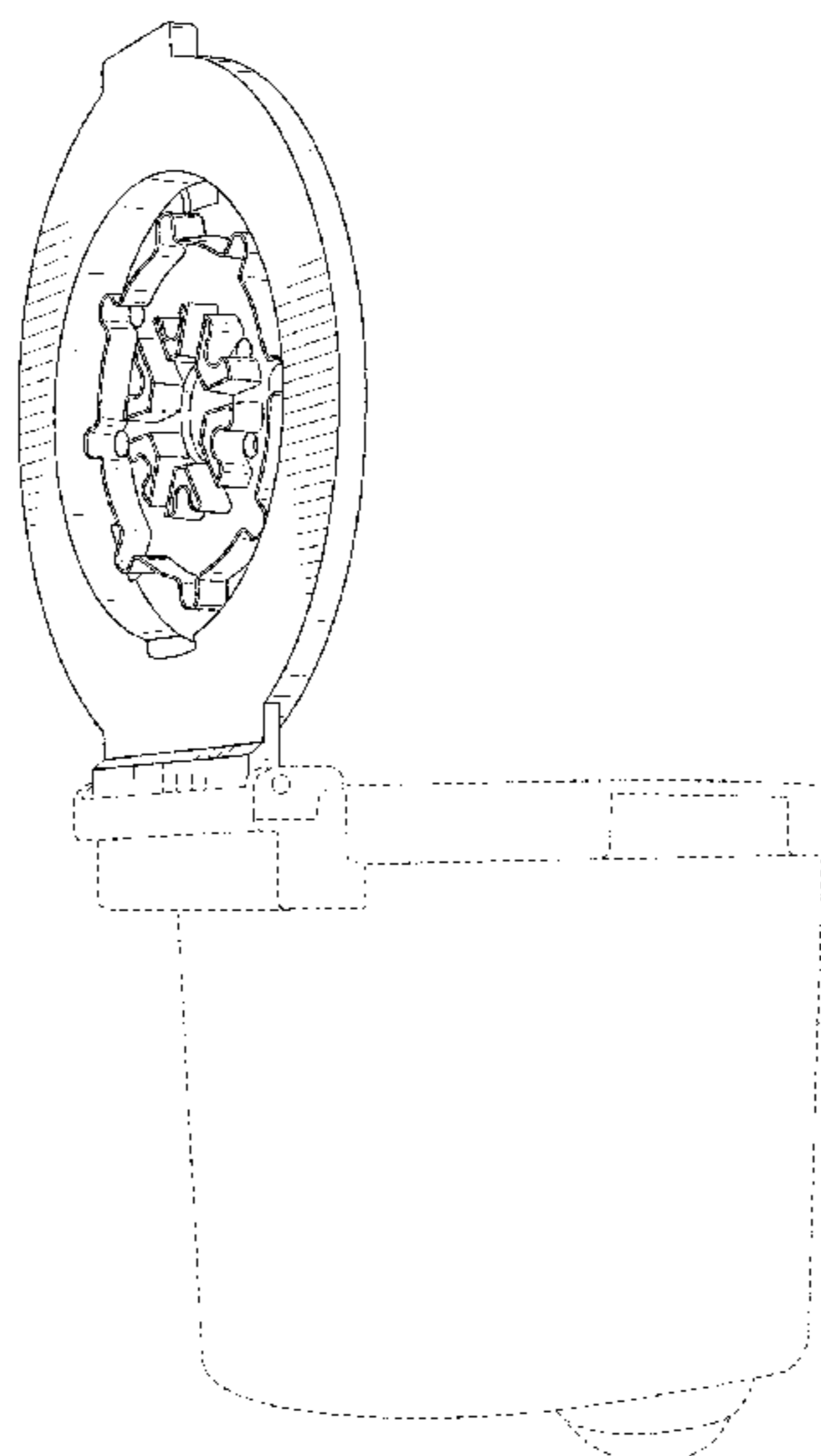
FIG. 1 is rear perspective view of a lid for a beverage cartridge, showing our new design;
FIG. 2 is front perspective view thereof;
FIG. 3 is a front elevation view thereof;
FIG. 4 is a rear elevation view thereof;
FIG. 5 is a left side elevation view thereof;
FIG. 6 is a right side elevation view thereof;
FIG. 7 is a top plan view thereof; and,
FIG. 8 is a bottom plan view thereof.
The broken lines in the drawings depict portions of the lid for a beverage cartridge that form no part of the claimed design. The dash-dot broken lines represent the boundary of the claimed design.

(56) **References Cited**

U.S. PATENT DOCUMENTS

D337,511 S * 7/1993 Donaldson D3/24
D494,670 S * 8/2004 Snyder D23/393
7,055,184 B2 * 6/2006 Humber E03D 11/16
4/252.4
D565,552 S * 4/2008 Yoshinaga D14/216
D607,437 S * 1/2010 Kamo D14/216

1 Claim, 7 Drawing Sheets



(56)

References Cited

U.S. PATENT DOCUMENTS

D880,437 S *	4/2020	Lee	D13/182
2006/0207003 A1 *	9/2006	Harmes	A47K 1/14
				4/286
2013/0220455 A1 *	8/2013	Lin	E03C 1/28
				137/511
2015/0074891 A1 *	3/2015	Ychie	E03C 1/264
				4/292

* cited by examiner

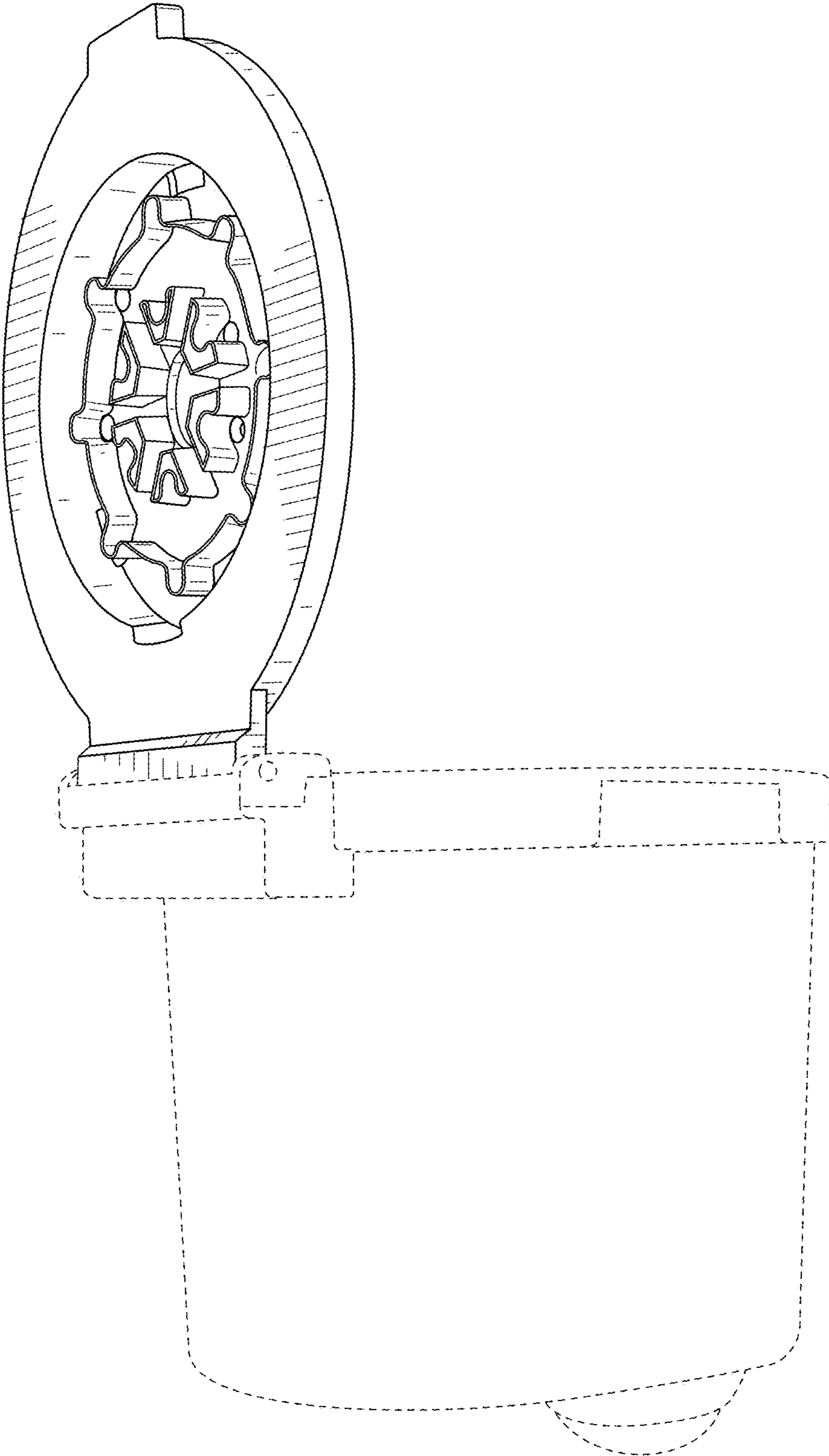


FIG. 1

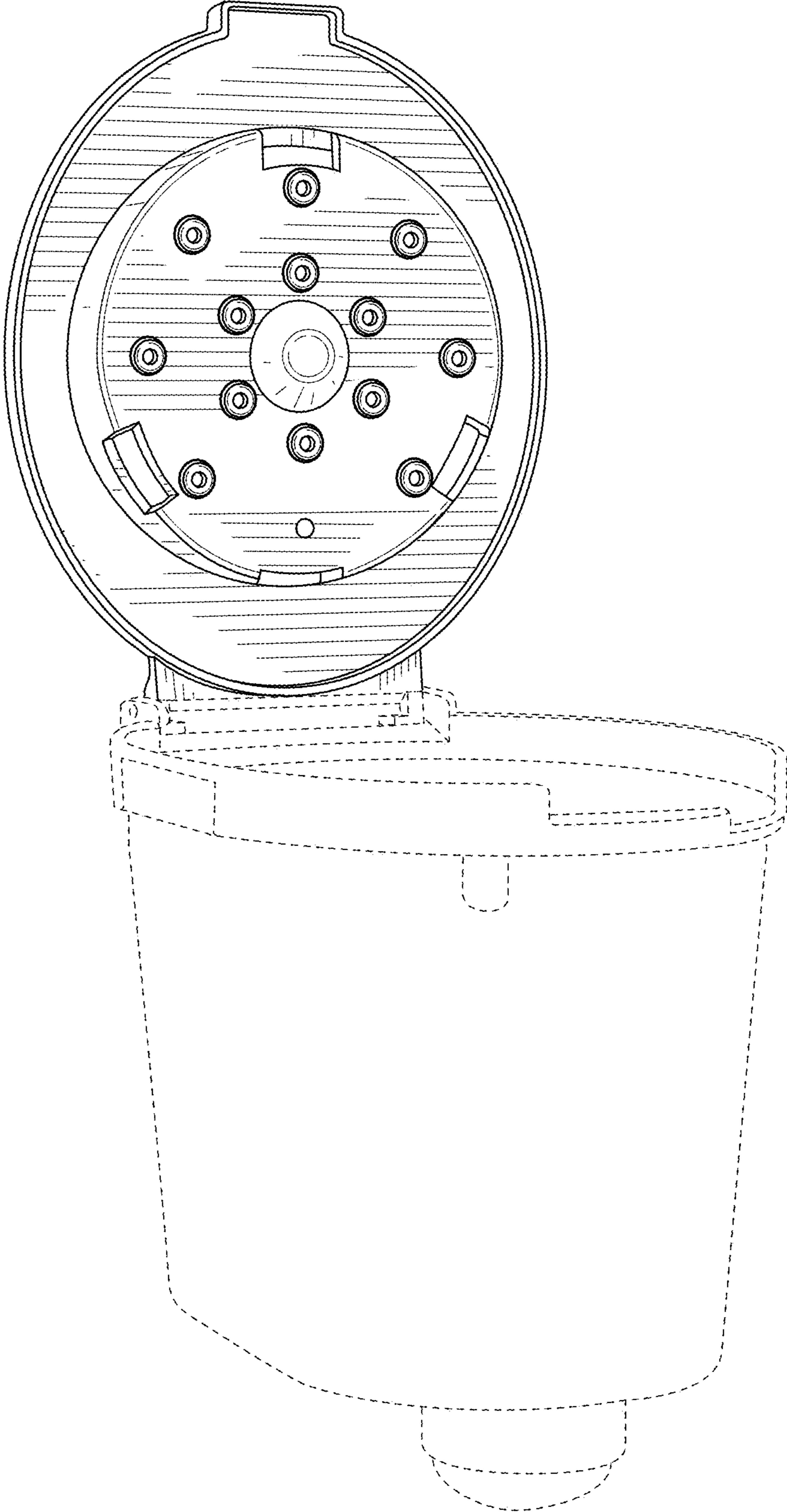


FIG. 2

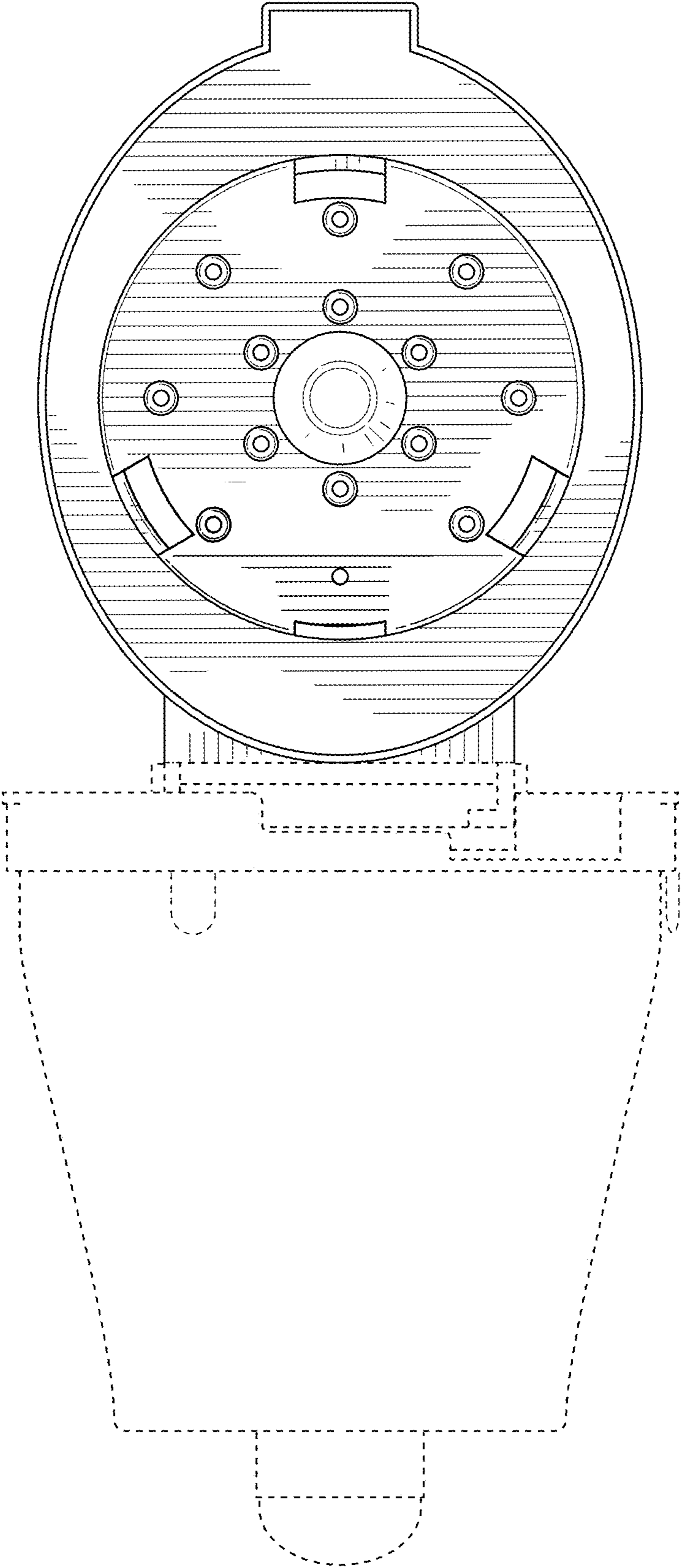


FIG. 3

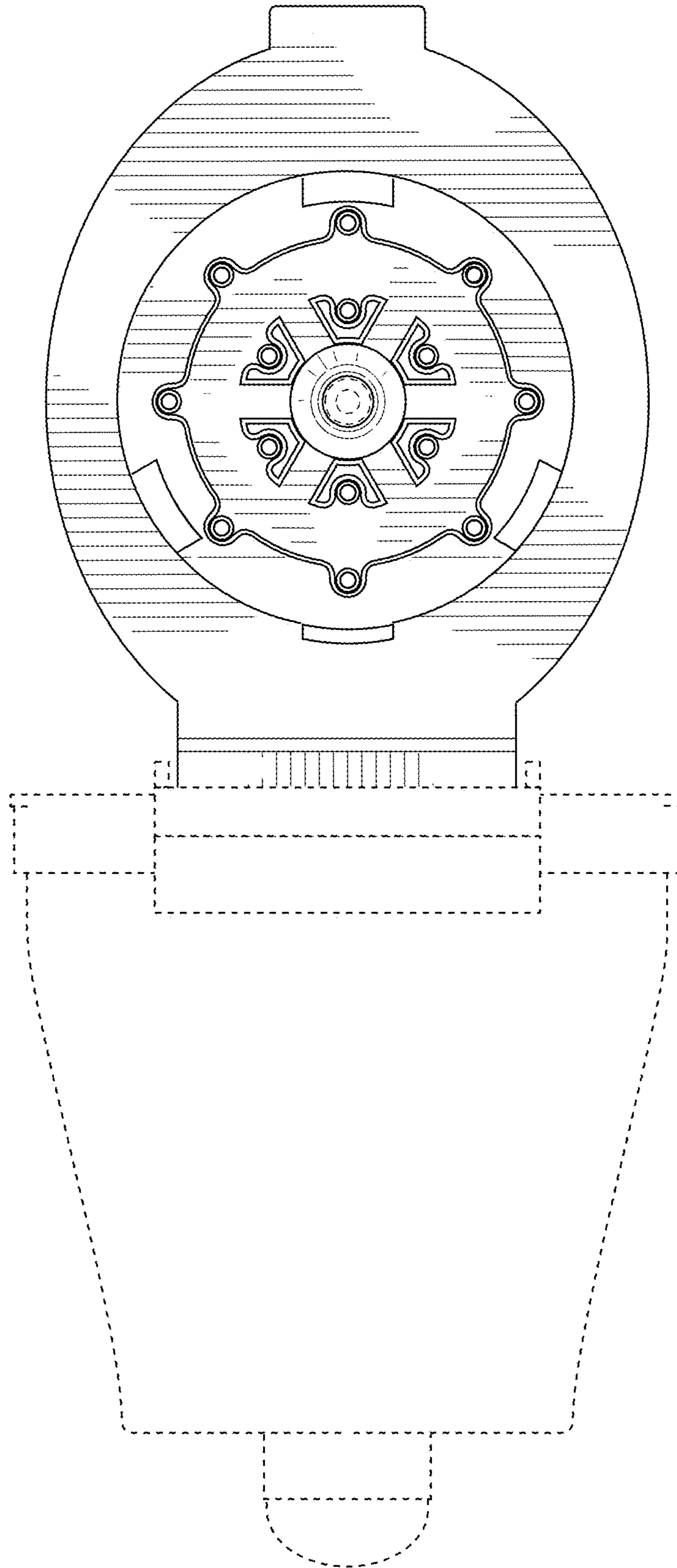


FIG. 4

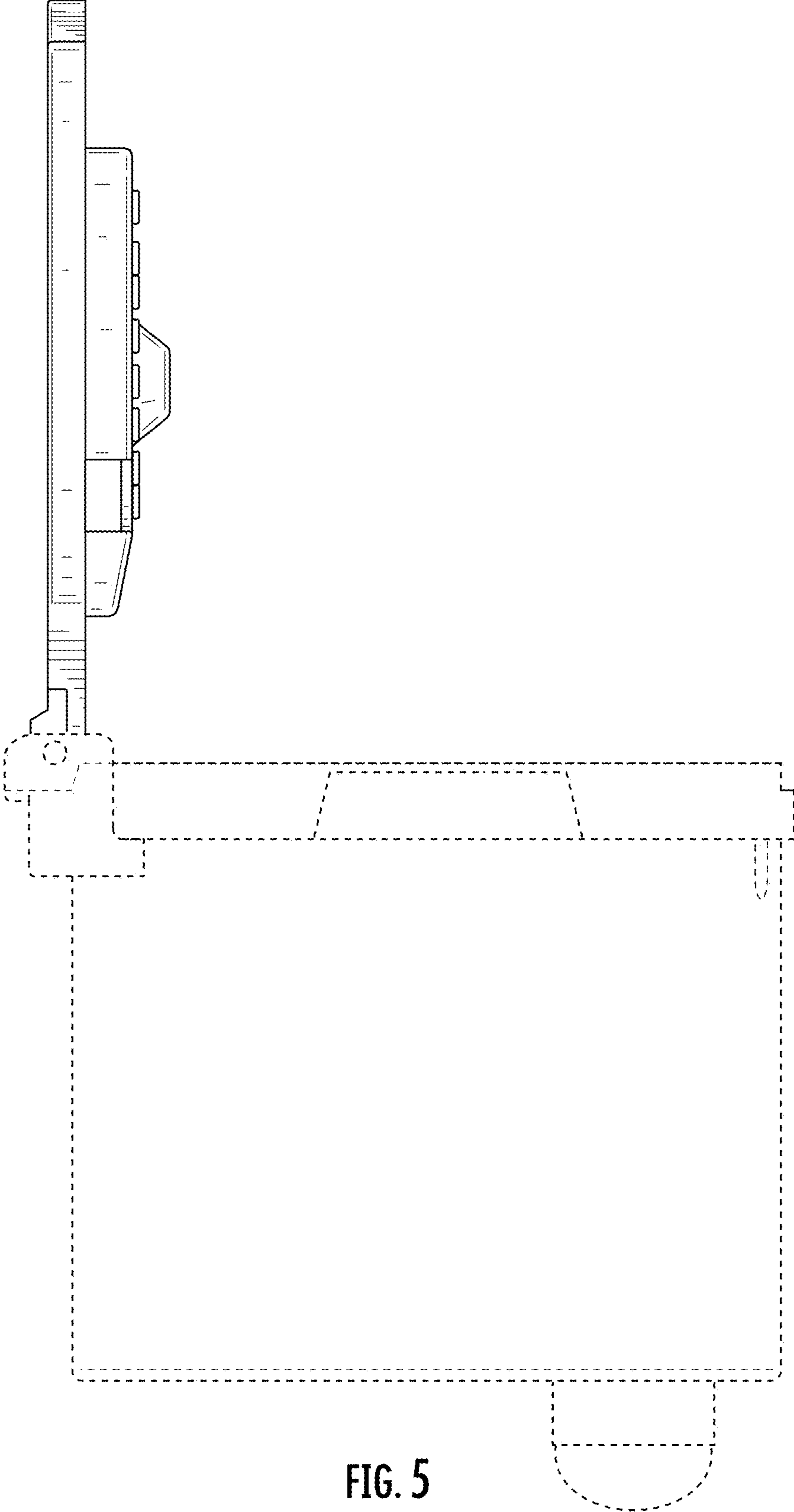


FIG. 5

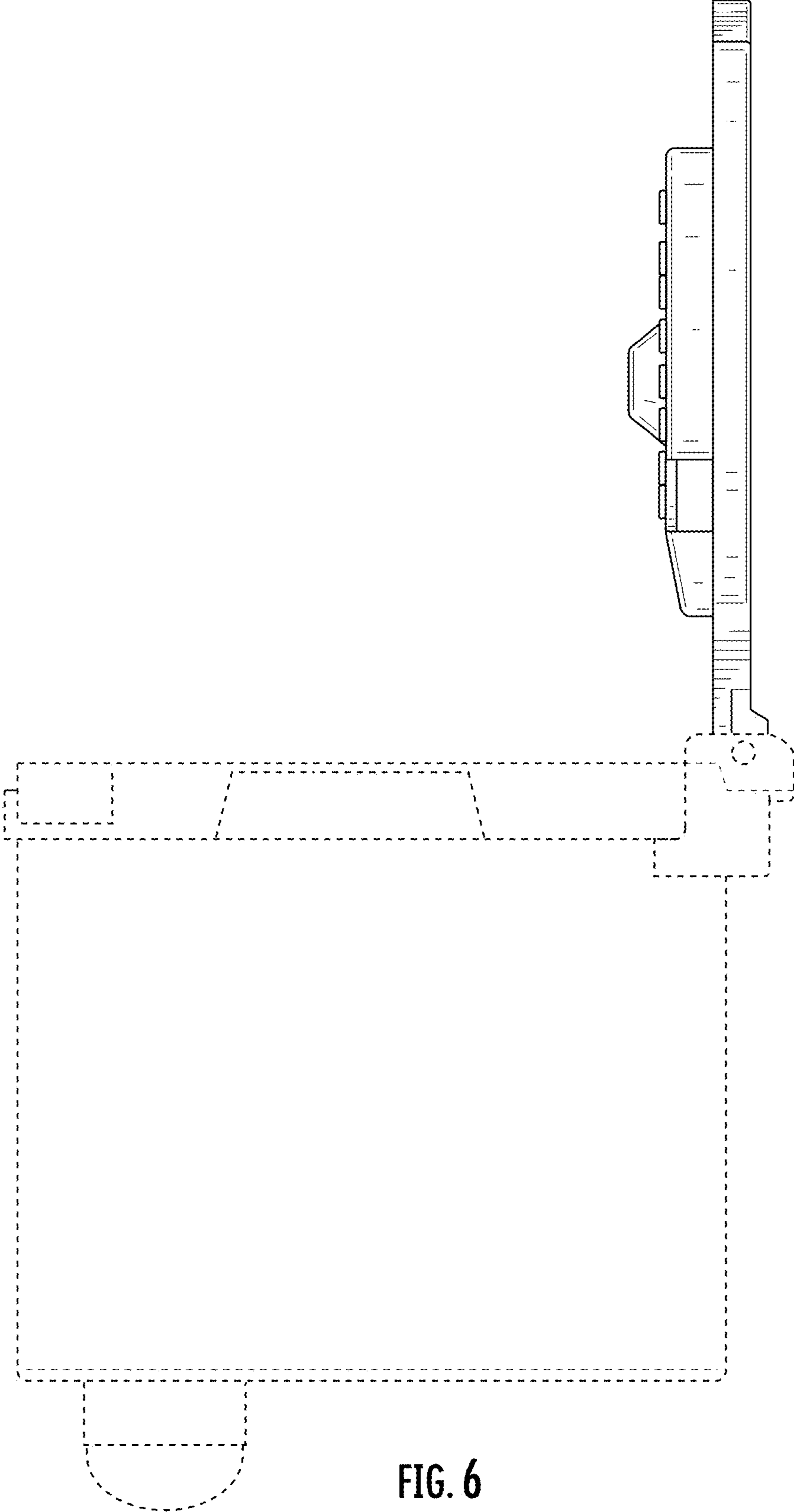


FIG. 6

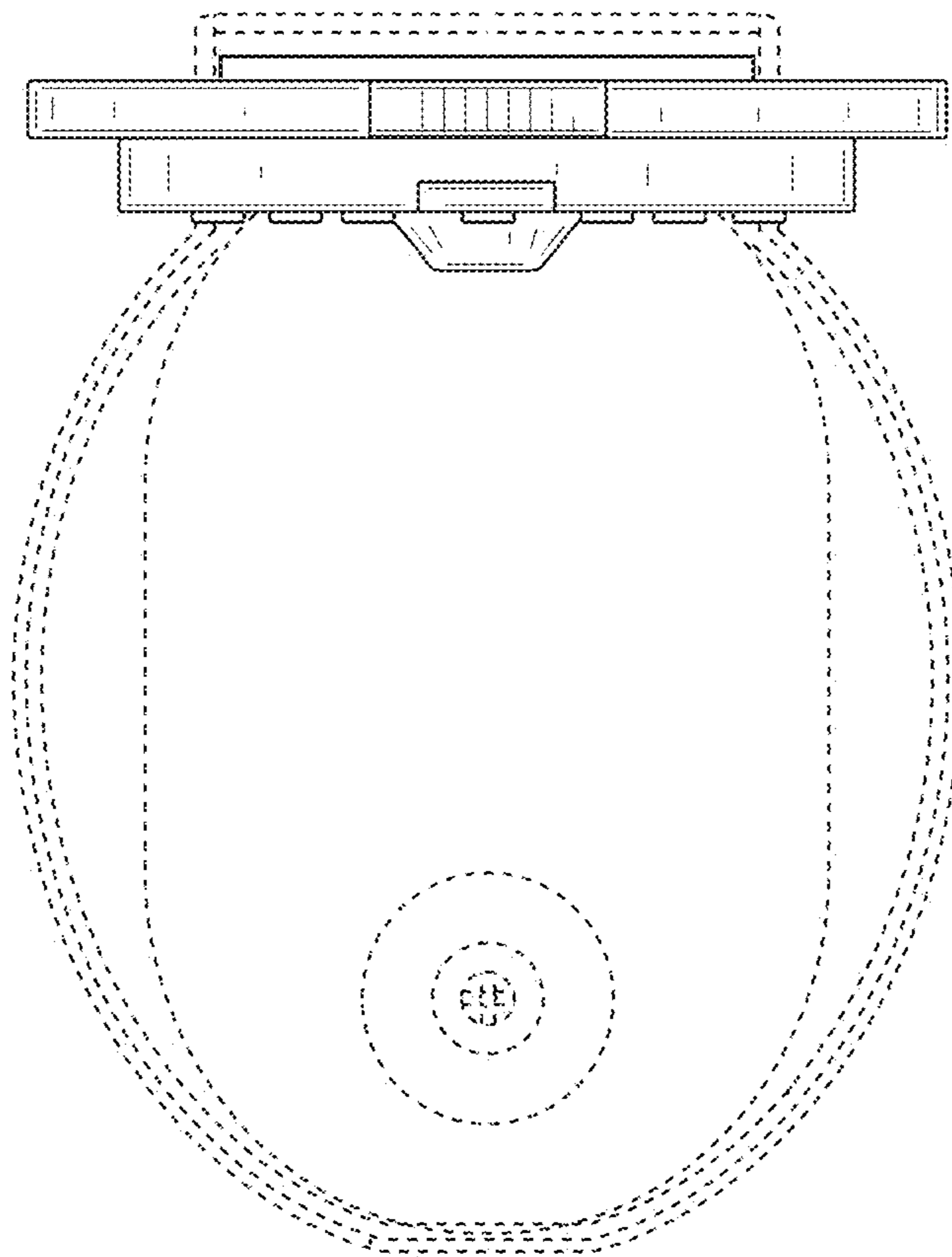


FIG. 7

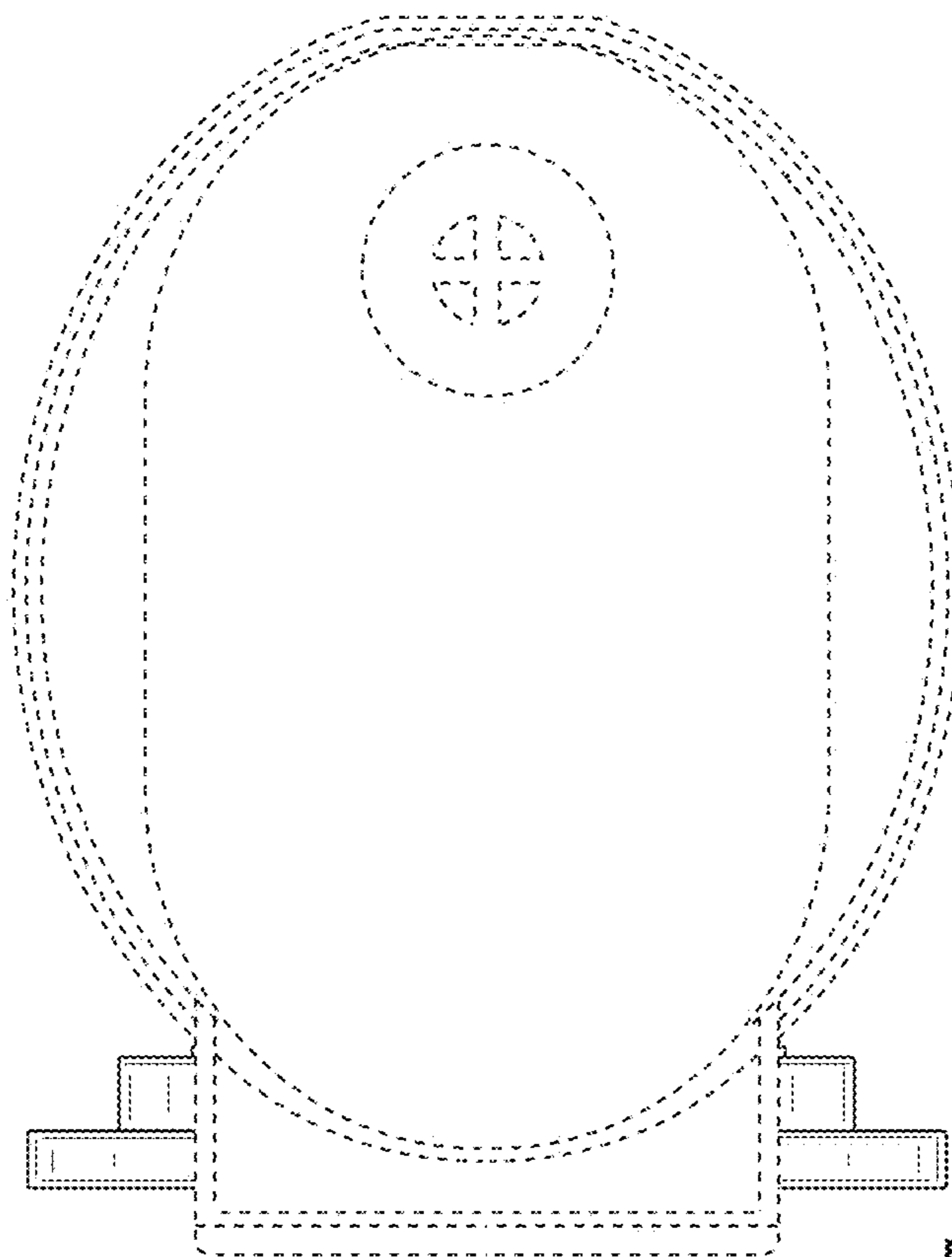


FIG. 8