



US00D935270S

(12) **United States Design Patent** (10) **Patent No.:** **US D935,270 S**
Kennedy et al. (45) **Date of Patent:** **** Nov. 9, 2021**

(54) **TEA BAG HOLDER**

(71) Applicant: **Kennedy Associates, LLC**, Lakewood, CO (US)

(72) Inventors: **Danielle Y. Kennedy**, Lakewood, CO (US); **Tom Kennedy**, Lakewood, CO (US)

(73) Assignee: **KENNEDY ASSOCIATES, LLC**, Lakewood, CO (US)

(**) Term: **15 Years**

(21) Appl. No.: **29/690,772**

(22) Filed: **May 10, 2019**

(51) **LOC (13) Cl.** **07-01**

(52) **U.S. Cl.**
USPC **D7/400; D7/559**

(58) **Field of Classification Search**
USPC D7/300, 301, 305-313, 316, 317, D7/319-322, 354, 359, 367, 372, 373, D7/386, 387, 397-400, 551.2, 559, 604, D7/606, 628, 647, 665, 667, 679, 700; D9/416, 428, 429, 435, 436; D16/200, D16/207; D19/61; D32/29.1; D11/63, D11/84, 139, 151, 157, 225, 241; D30/121, 129, 132; D15/80-82, 150; D23/200, 207; D20/1, 4
CPC A47J 31/02; A47J 31/06; A47J 31/061; A47J 31/0615; A47J 31/0626; A47J 31/0689; A47J 31/18; A47J 31/24; A47J 31/36; A47J 31/44; A47J 31/4403; A47J 31/4482; A47J 31/46; A47J 31/467; A47J

(Continued)

(56) **References Cited**

U.S. PATENT DOCUMENTS

987,360 A * 3/1911 Harrington B01D 29/085
210/476
1,040,179 A * 10/1912 Evans A47J 31/02
99/323

(Continued)

FOREIGN PATENT DOCUMENTS

CN 3370612 * 5/2004
CN 301332239 * 9/2010

(Continued)

OTHER PUBLICATIONS

MBS Nutrition, "Rotating Musical Flower Candle," Jun. 11, 2014, YouTube.com, www.youtube.com/watch?v=nVxn5mFe7NA (Year: 2014).*

(Continued)

Primary Examiner — Janice Patyk

Assistant Examiner — Arva P Adams

(74) *Attorney, Agent, or Firm* — Trenner Law Firm, LLC; Mark D. Trenner

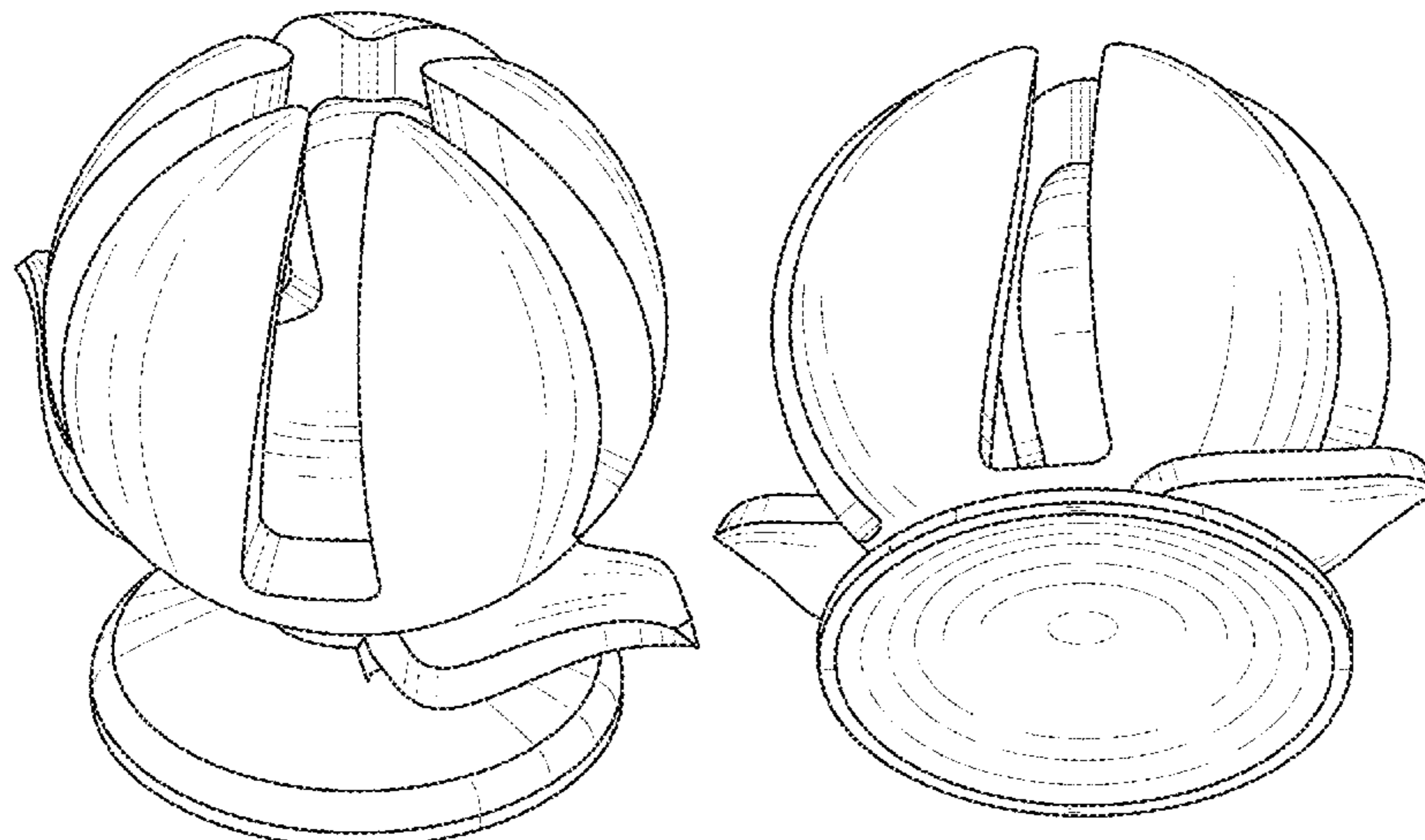
(57) **CLAIM**

The ornamental design for a tea bag holder, as shown and described.

DESCRIPTION

FIG. 1 is a top perspective view of a tea bag holder, showing our new design;
FIG. 2 is a front view of the tea bag holder;
FIG. 3 is a right-side view of the tea bag holder;
FIG. 4 is a back view of the tea bag holder;
FIG. 5 is a left-side view of the tea bag holder;
FIG. 6 is a top view of the tea bag holder;
FIG. 7 is a bottom view of the tea bag holder;
FIG. 8 is a bottom perspective view of the tea bag holder; and,
FIG. 9 is a top perspective view of the tea bag holder, shown in a reduced scale, in environmental use.
The broken line showing of a mug and tea bag in FIG. 9 is for the purpose of illustrating environmental structure and forms no part of the claimed design.

1 Claim, 9 Drawing Sheets



(58) **Field of Classification Search**

CPC . 31/50; A47J 31/56; A47J 36/22; A47J 19/00;
 A47J 19/005; A47J 19/02; A47J 19/023;
 A47J 19/027; A47J 19/06; A47J 2203/00;
 A47J 27/04; A47J 27/60; A47J 42/50;
 A47J 31/3633; A47J 31/407; A47G
 19/04; A47G 19/22; B65D 85/804; B65D
 85/8043; B65D 85/808; B65D 2581/3409;
 B67D 3/00; B67D 1/0004; B67D 1/0021;
 B67D 1/0085; B67D 1/0086; B67D
 1/0089; B67D 1/0857; B67D 1/0867;
 B67D 2001/0087; A23F 5/262; B65B
 39/00; B67C 11/02; B67C 11/06

See application file for complete search history.

(56)

References Cited

U.S. PATENT DOCUMENTS

1,722,946 A * 7/1929 Raffa A47J 36/22
 210/471
 1,764,039 A * 6/1930 Cooper A47J 36/22
 99/409
 2,591,606 A 4/1952 Reed
 2,678,000 A 5/1954 Scheidt et al.
 D216,365 S * 12/1969 Benz A47J 36/22
 D19/61
 D232,236 S * 7/1974 La Borde D23/209
 D336,727 S * 6/1993 Skerker B01D 29/085
 D7/409
 D337,614 S * 7/1993 Turner D11/151
 D338,725 S * 8/1993 Trampush D23/261
 5,620,724 A 4/1997 Adler
 D396,826 S * 8/1998 Weder D11/164
 D407,954 S * 4/1999 Lehn D7/665
 D416,044 S * 11/1999 Martin D19/59
 D449,960 S * 11/2001 Durbin D7/399
 D569,488 S * 5/2008 Lindsay D23/267
 D605,465 S * 12/2009 Benton D7/396.2
 D635,823 S * 4/2011 Mauffette D7/397

D705,119 S * 5/2014 Dubow A47J 36/22
 D11/157
 9,060,629 B2 6/2015 Bougdanos
 D747,914 S * 1/2016 Schuler D7/359
 D813,921 S * 3/2018 van Hoff D16/200
 D815,896 S * 4/2018 Fan A47J 31/02
 D7/400
 D834,300 S * 11/2018 Sapara, Jr. C11D 3/0084
 D3/201
 D859,070 S * 9/2019 Biesinger D7/400
 2012/0174795 A1 7/2012 Uspenski et al.
 2014/0134311 A1 5/2014 Hong
 2016/0376094 A1 12/2016 Smyth et al.
 2020/0352367 A1* 11/2020 Kennedy B65D 85/808
 2021/0163860 A1* 6/2021 Meier C11D 3/0084

FOREIGN PATENT DOCUMENTS

CN 301535824 * 5/2011
 CN 301622299 * 7/2011
 CN 303195103 * 5/2015
 CN 303195123 * 5/2015
 FR 23453-001 * 2/1933
 SE 2004/0228-0001 * 3/2004

OTHER PUBLICATIONS

Little Yellow Teapot, "Choosing the Right Tea Infuser/Strainer,"
 Sep. 2, 2014, Tea Blog: Official Blog of the English Tea Store,
<https://blog.english-teastore.com/2014/09/02/choosing-the-right-infuserstrainer/> (Year: 2014).*

ShalinIndia, "ShalinIndia Aarti Diya Oil Wick Lamp Lotus Brass
 Statue," Aug. 1, 2016, Amazon.ca, www.amazon.ca/dp/B0154CT1RG (Year: 2016).*

ApolloBox, "Animal Tea Mug With Infuser," Reviewed Nov. 22,
 2017, TheApolloBox.com, www.theapollobox.com/product/sku2119/animal-tea-mug-with-infuser (Year: 2017).*

* cited by examiner

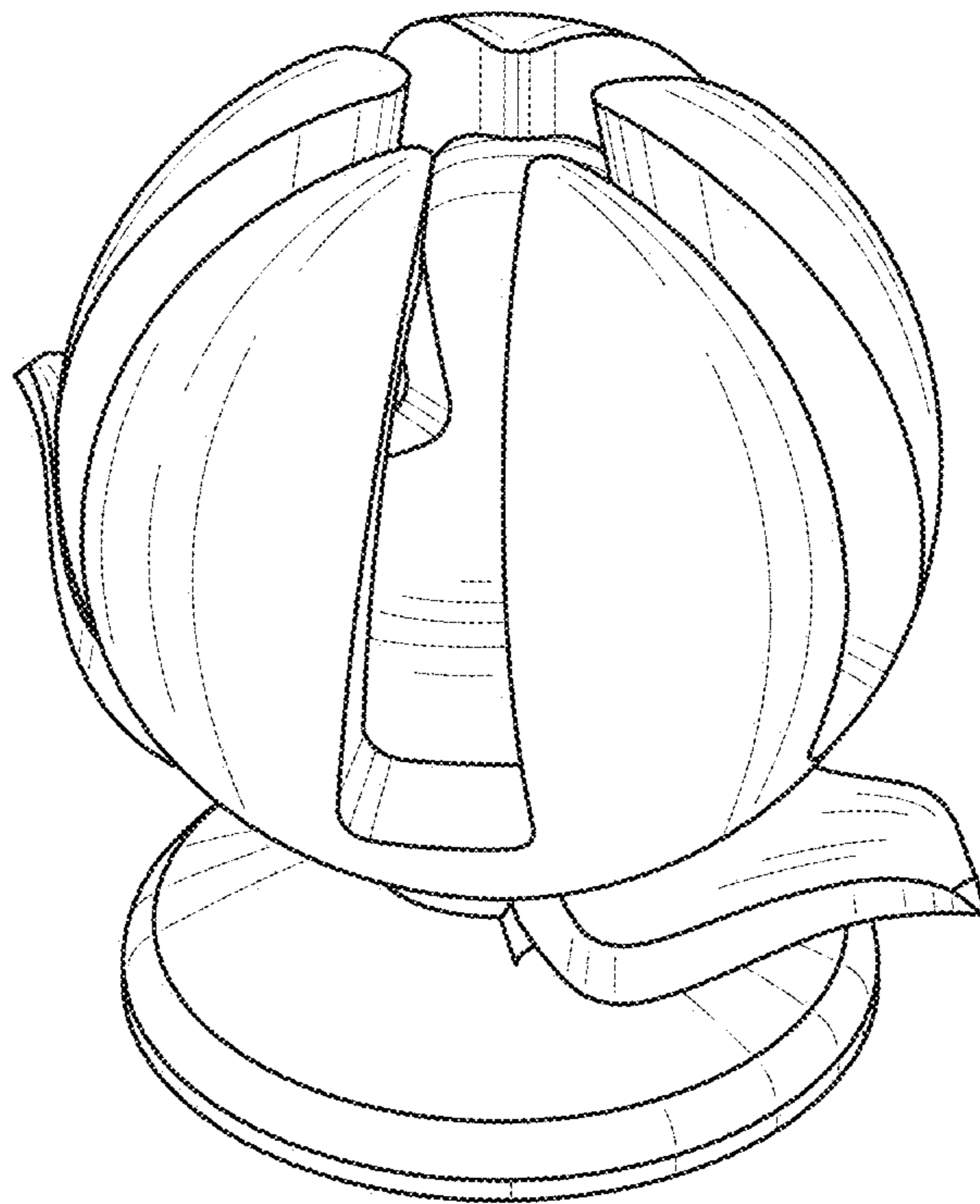


FIG. 1

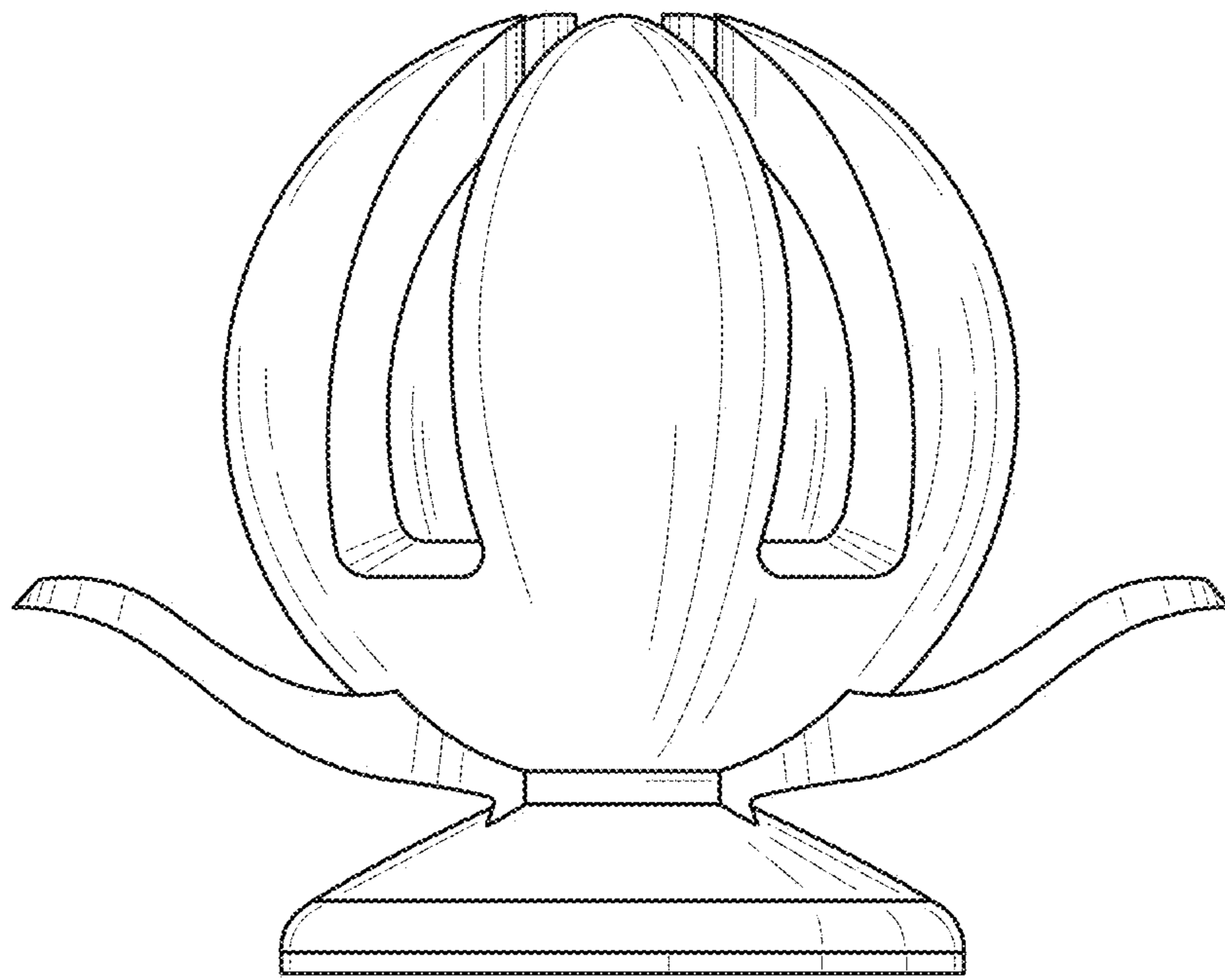


FIG. 2

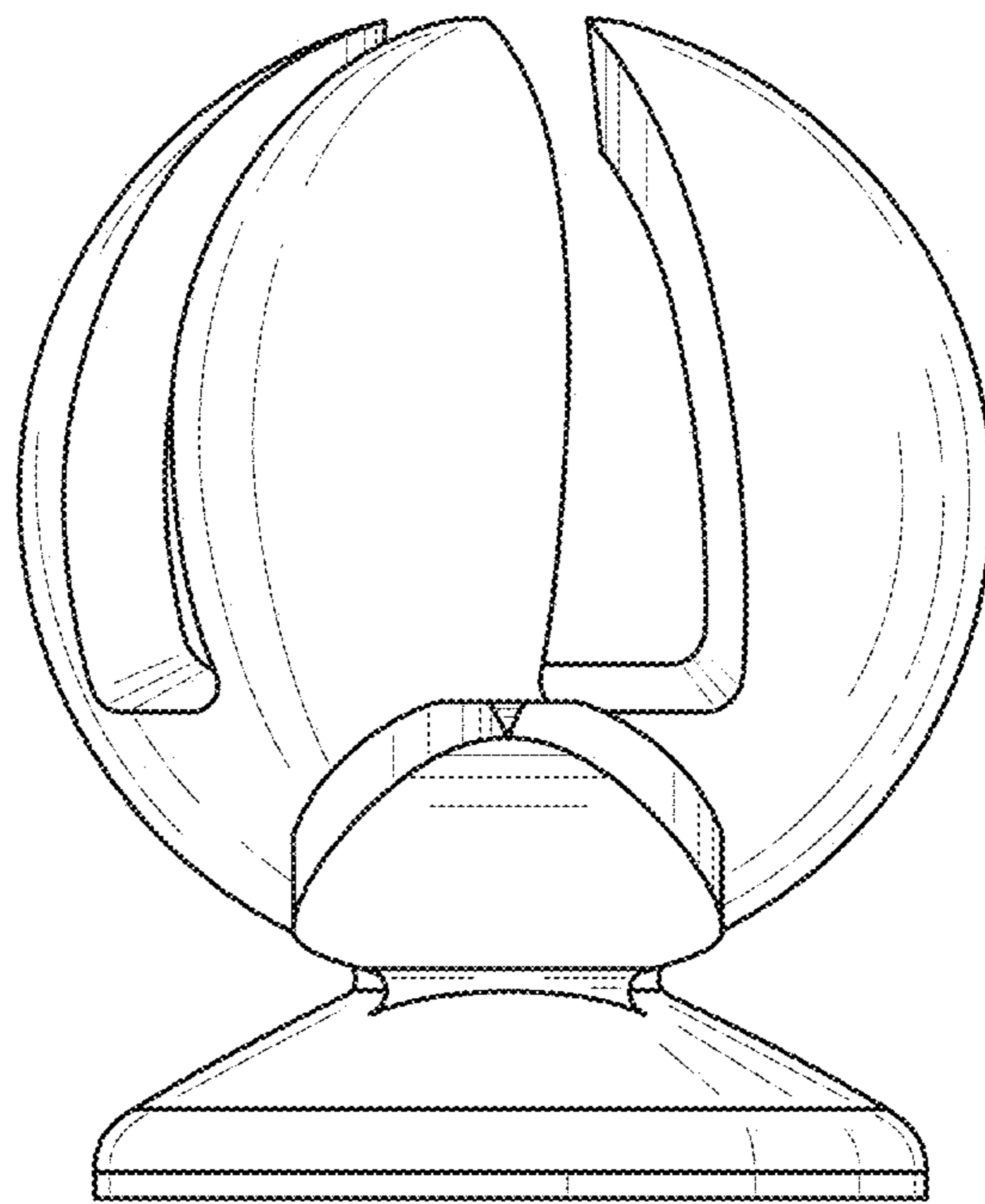


FIG. 3

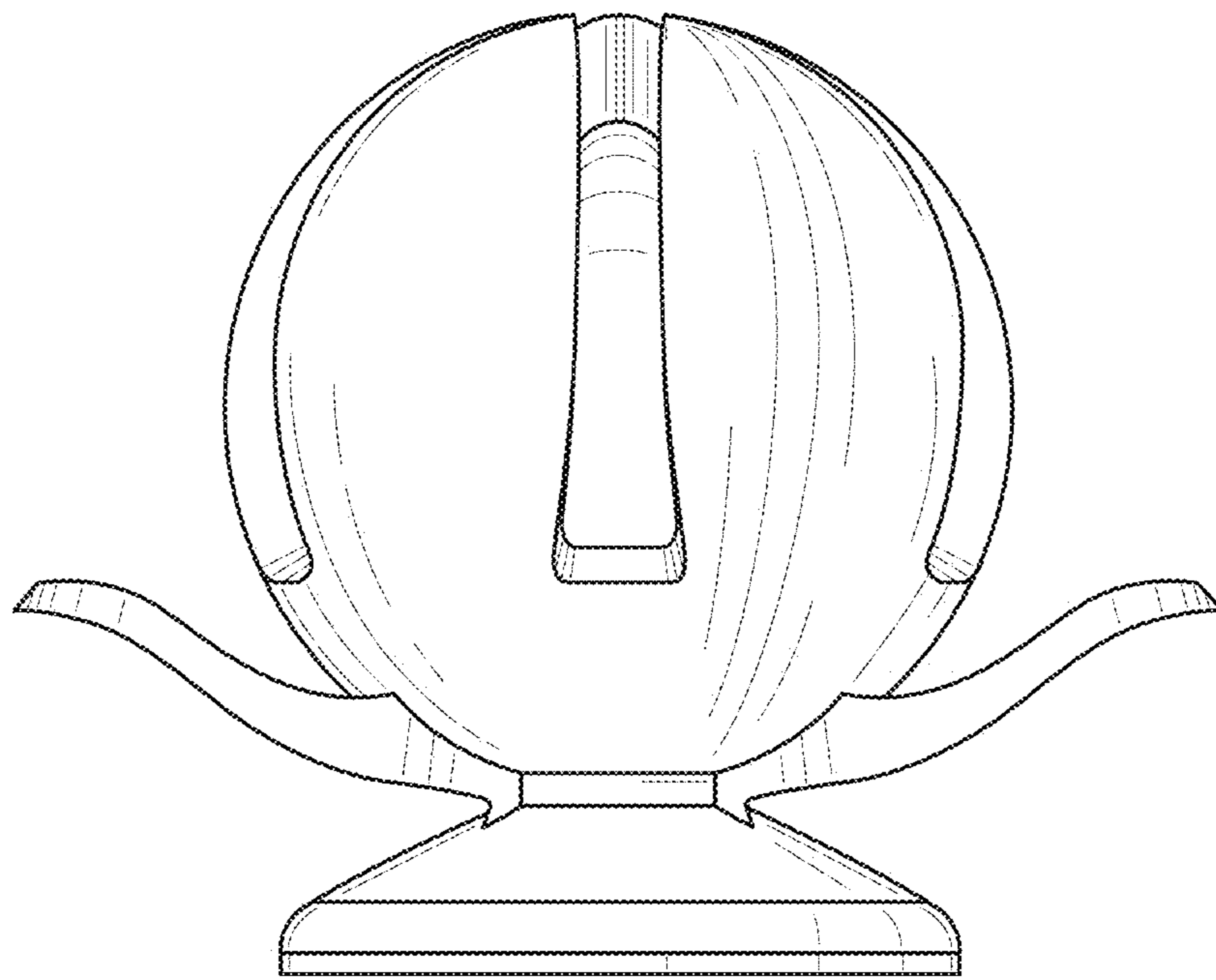


FIG. 4

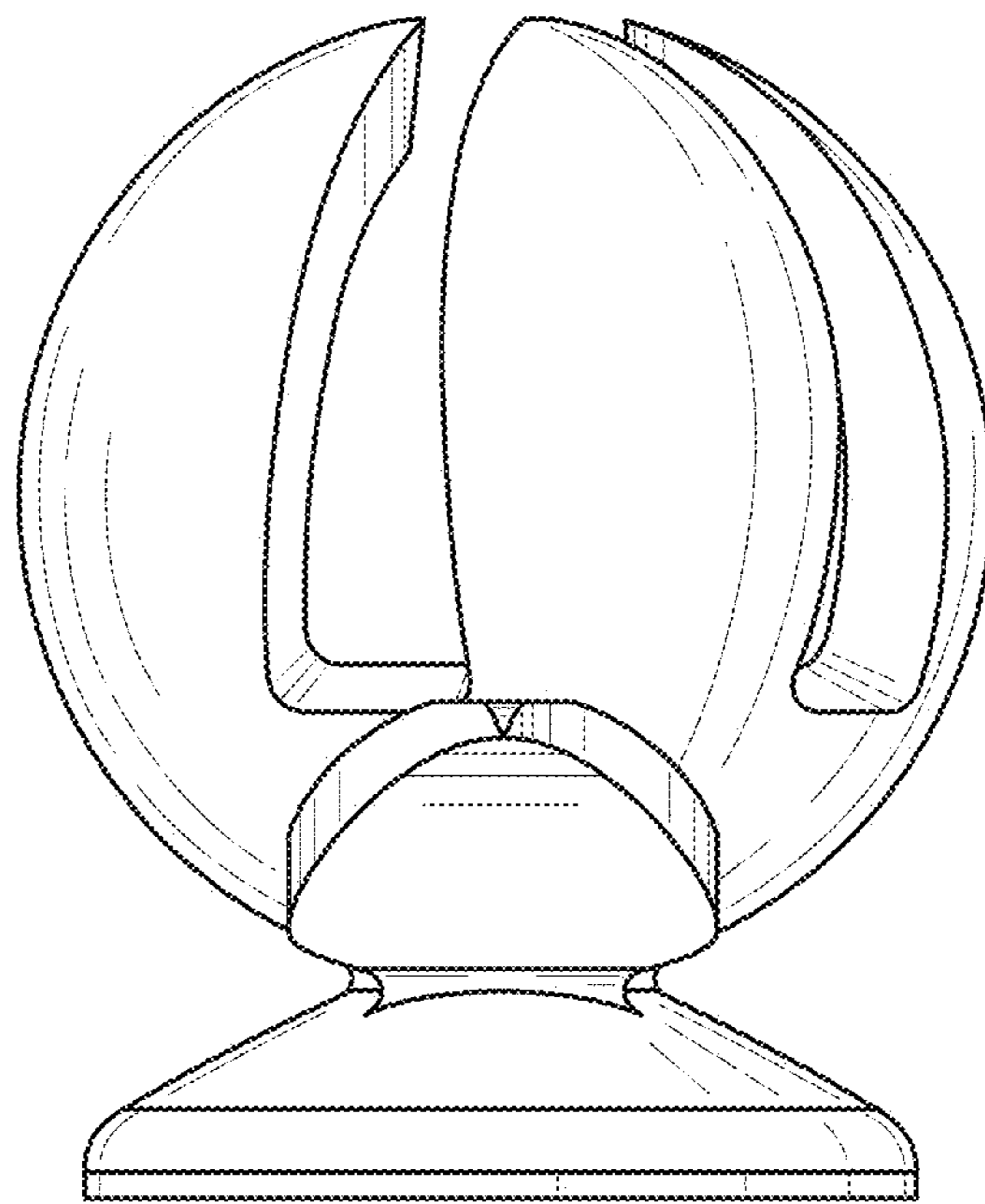


FIG. 5

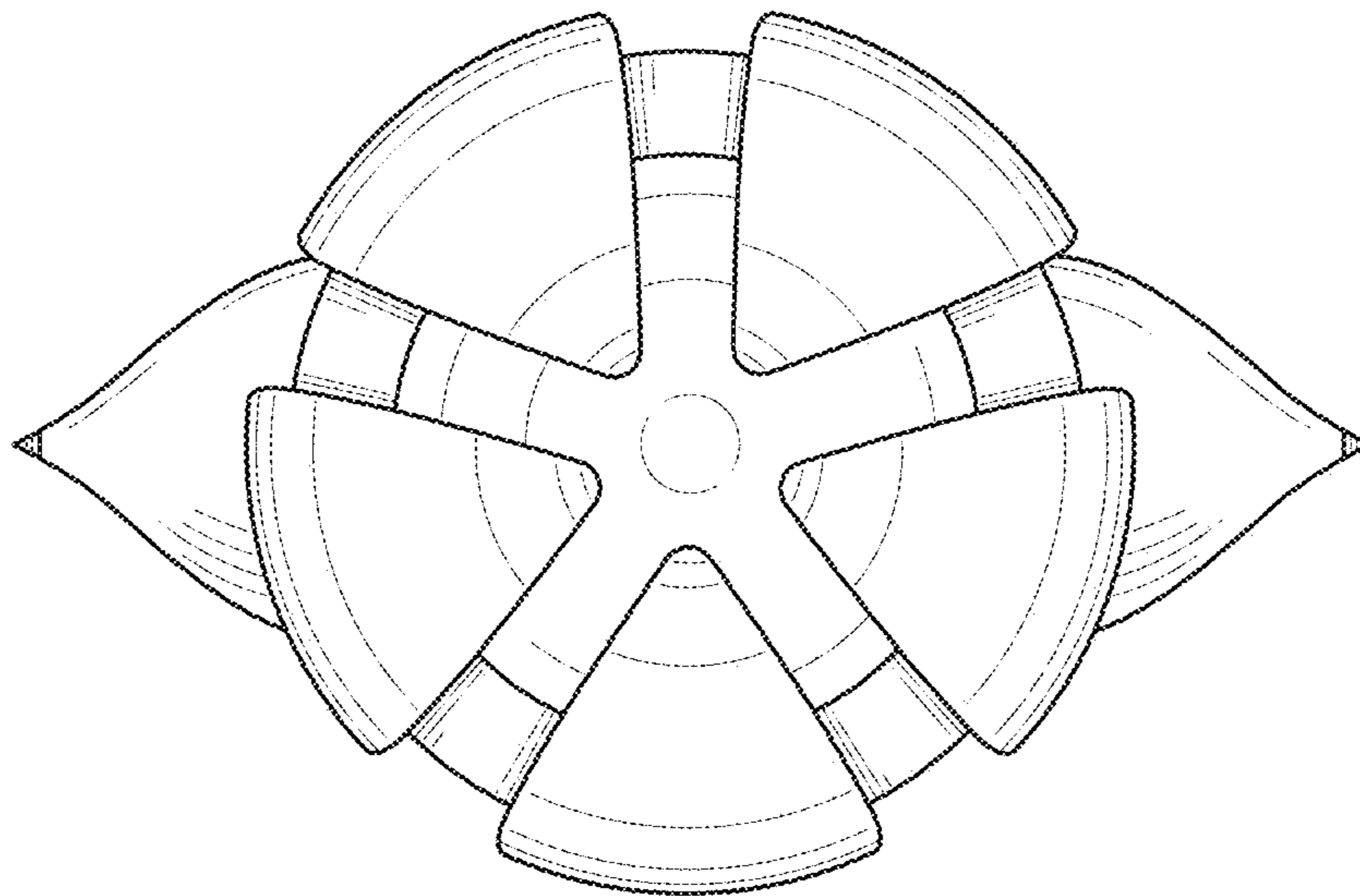


FIG. 6

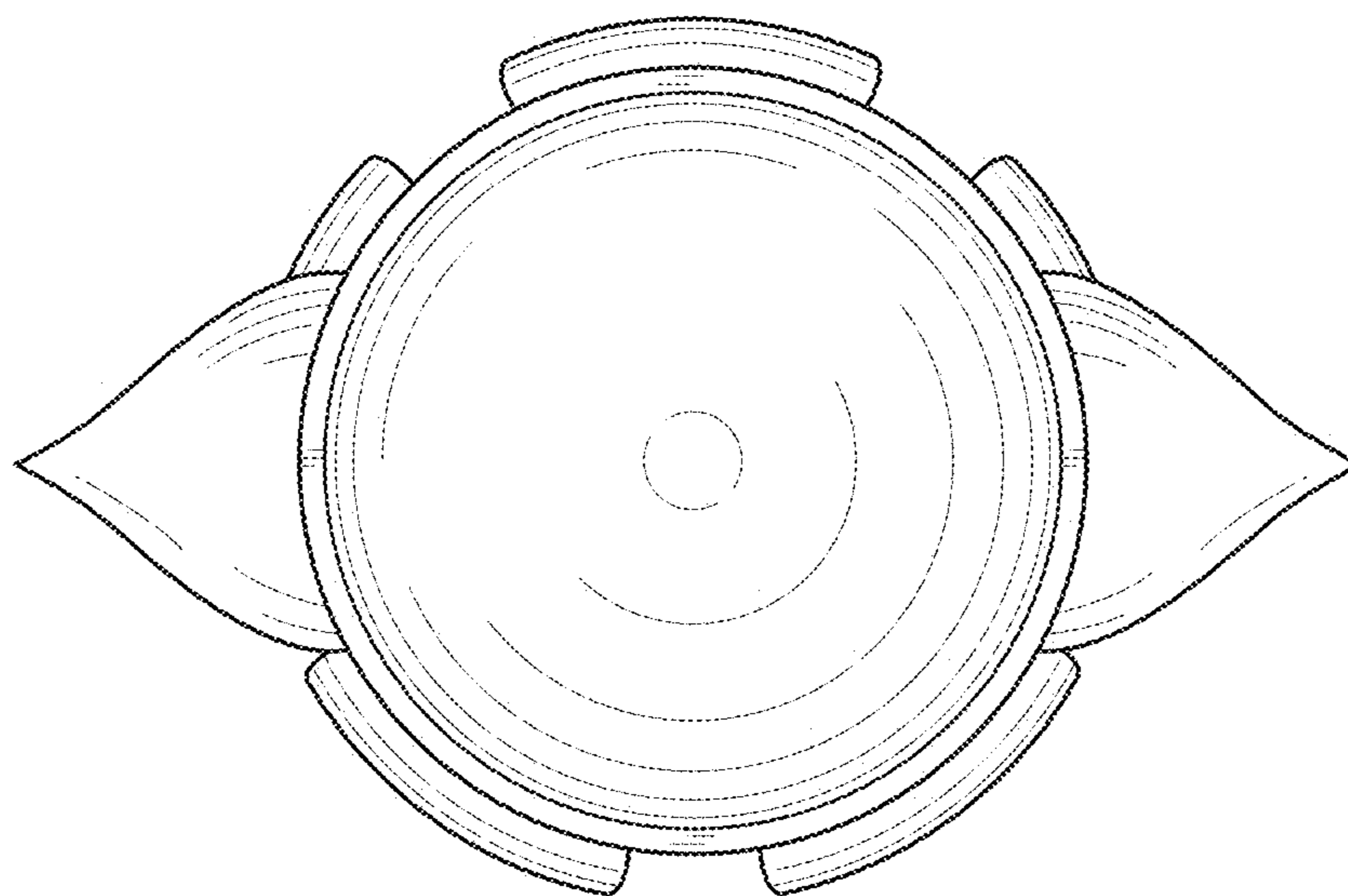


FIG. 7

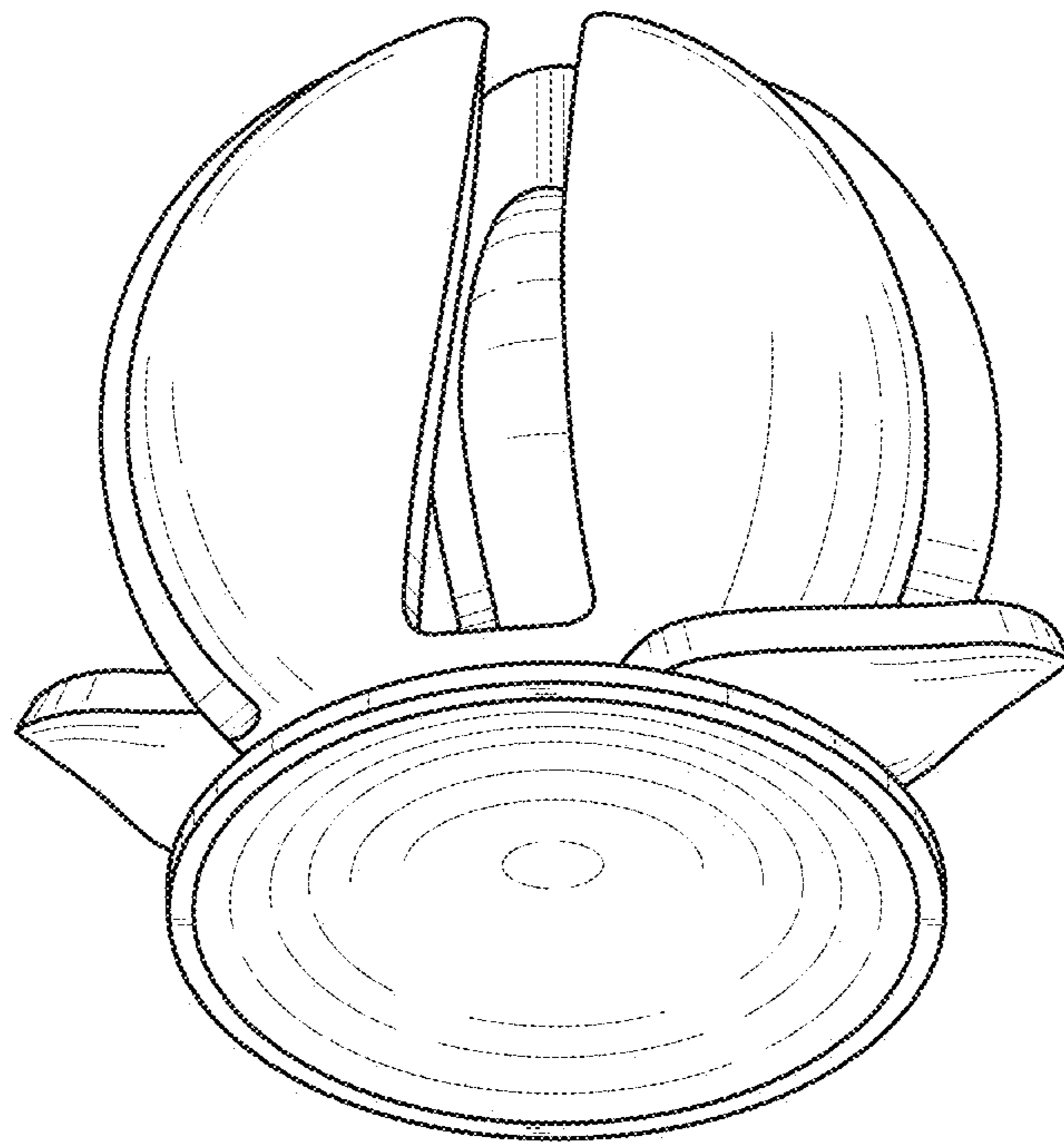


FIG. 8

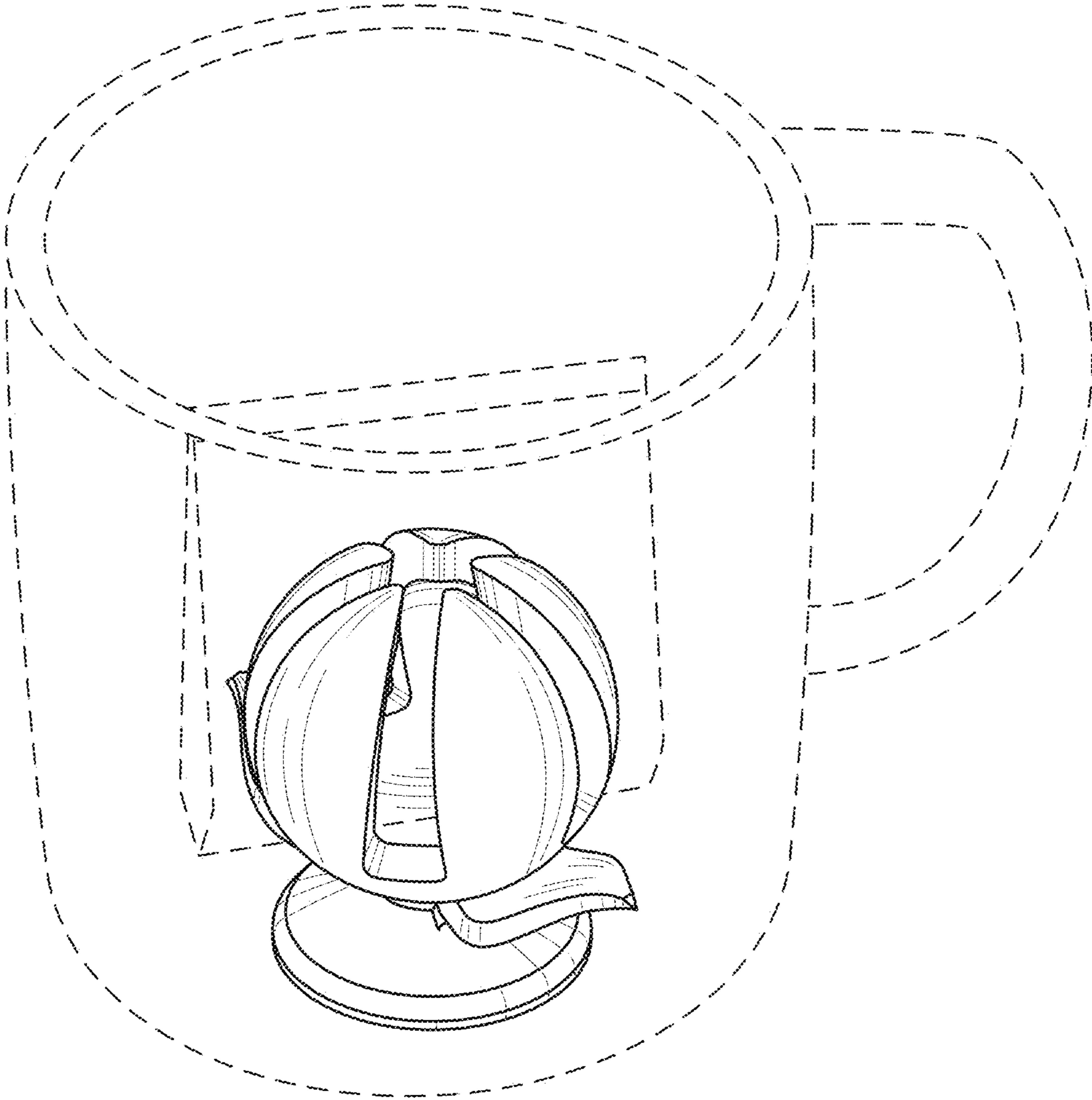


FIG. 9