



US00D935267S

(12) **United States Design Patent** (10) **Patent No.:** **US D935,267 S**
West et al. (45) **Date of Patent:** **** Nov. 9, 2021**

(54) **COOKING APPLIANCE CONTROL DIAL**
(71) Applicant: **Spark Grills, Inc.**, Boulder, CO (US)
(72) Inventors: **Benjamin West**, Boulder, CO (US); **Miguel Christophy**, San Francisco, CA (US); **Bret Recor**, San Francisco, CA (US); **Kenneth Young**, San Francisco, CA (US); **Virosh Rangalla**, San Francisco, CA (US); **Merric French**, San Francisco, CA (US); **Jack Knoebber**, San Francisco, CA (US)

(73) Assignee: **Spark Grills, Inc.**, Boulder, CO (US)
(**) Term: **15 Years**

(21) Appl. No.: **29/722,800**
(22) Filed: **Jan. 31, 2020**
(51) **LOC (13) Cl.** **07-02**
(52) **U.S. Cl.**
USPC **D7/393**
(58) **Field of Classification Search**
USPC D7/332-334, 337, 339-341, 346, 348, D7/349, 354, 360, 361, 391, 393-396,
(Continued)

(56) **References Cited**
U.S. PATENT DOCUMENTS
D521,801 S * 5/2006 Huxhold D7/393
D524,097 S * 7/2006 Magnouloux D7/393
(Continued)

FOREIGN PATENT DOCUMENTS
WO WO2021155060 8/2021

OTHER PUBLICATIONS
Spark Grill Launches Pre-Order Waitlist, Promises Gas Style Precision with Charcoal, first available Apr. 3, 2020, The Spoon,

[online], [site visited Mar. 3, 2021], Available from internet URL: <https://thespoon.tech/spark-grill-launches-pre-orders-promises-gas-style-precision-with-charcoal/> (Year: 2020).*
(Continued)

Primary Examiner — Mary Ann Calabrese
Assistant Examiner — Natalya M Rapundalo
(74) *Attorney, Agent, or Firm* — Weaver Austin Villeneuve & Sampson LLP

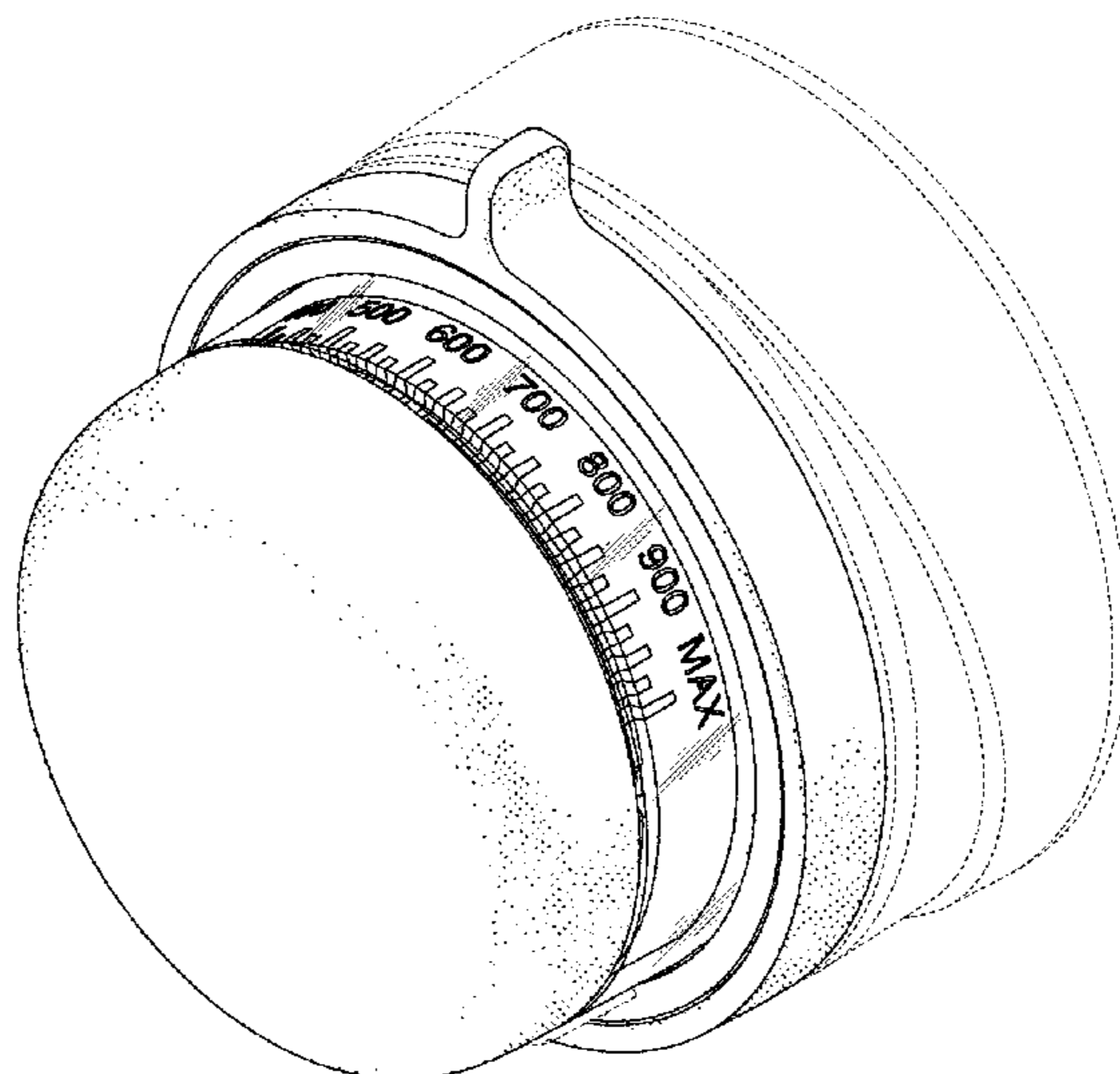
(57) **CLAIM**

We claim the ornamental design for a cooking appliance control dial, as shown and described.

DESCRIPTION

FIG. 1 depicts a top right perspective view of a cooking appliance control dial.
FIG. 2 depicts a front view of the cooking appliance control dial of FIG. 1.
FIG. 3 depicts a back view of the cooking appliance control dial of FIG. 1.
FIG. 4 depicts a right-side view of the cooking appliance control dial of FIG. 1.
FIG. 5 depicts a left side view of the cooking appliance control dial of FIG. 1.
FIG. 6 depicts a top left side perspective view of the cooking appliance control dial of FIG. 1.
FIG. 7 depicts a top view of the cooking appliance control dial of FIG. 1.
FIG. 8 depicts a bottom view of the cooking appliance control dial of FIG. 1; and,
FIG. 9 depicts a bottom right perspective view of the cooking appliance control dial of FIG. 1.
The cooking appliance control dial may be part of a cooking appliance such as, for example, a grill, bar-b-que, stove, or smoker.
The broken lines depict portions of the article that form no part of the claimed design.

1 Claim, 5 Drawing Sheets



(58) **Field of Classification Search**

USPC D7/402, 406, 350.1, 350.3, 350.4, 351;
D8/300, 303, 310, 311, 315, 321;
D15/89; D32/5, 6, 8, 25, 28; D10/49,
D10/50, 122, 126
CPC .. A47J 27/00; A47J 36/00; A47J 36/06; A47J
37/0623; A47J 37/0647; A47J 37/07;
A47J 37/0713; A47J 37/0727; A47J
37/074; A47J 37/0763; A47J 37/10; A47J
37/101; A47J 45/06; A47J 45/061; A47J
45/062; A47J 45/063; A47J 45/068; A47J
45/07; A47J 45/071; A47J 45/072; A47J
45/074; F24B 1/00; F24B 1/191; F24B
1/20; F24C 1/00; F24C 3/00; F24C
3/002; F24C 3/008; F24C 3/02; F24C
3/04; F24C 3/042; F24C 3/047; F24C
3/06; F24C 3/062; F24C 3/067; F24C
15/16; F24C 15/168; F24C 15/26

See application file for complete search history.

(56)

References Cited

U.S. PATENT DOCUMENTS

D682,614 S * 5/2013 Loyd D7/406
9,384,921 B2 * 7/2016 Bekaert B60K 37/06
10,824,183 B1 * 11/2020 Cruz-Perez F24C 3/126
D920,741 S * 6/2021 Kam D7/406

OTHER PUBLICATIONS

Design No. D1679483, Jan. 29, 2021—Japan Patent Office Publication Date—Feb. 15, 2021 Owner—Spark Grills, Incorporated, Designer—West, Benjamin, et al. WIPO, available at <https://www3.wipo.int/designdb/en/index.jsp> (Year: 2021).*
Spark One, Spark Grills, [online], [site visited Mar. 3, 2021], Available from internet URL: <https://www.sparkgrills.com/products/spark-one> (Year: 2021).*
U.S. Appl. No. 29/722,800, filed Jan. 31, 2020, West et al.
U.S. Appl. No. 62/968,957, filed Jan. 31, 2020, West et al.
U.S. Non-Final Office Action, dated Aug. 24, 2021 for Design U.S. Appl. No. 29/772,796.

* cited by examiner

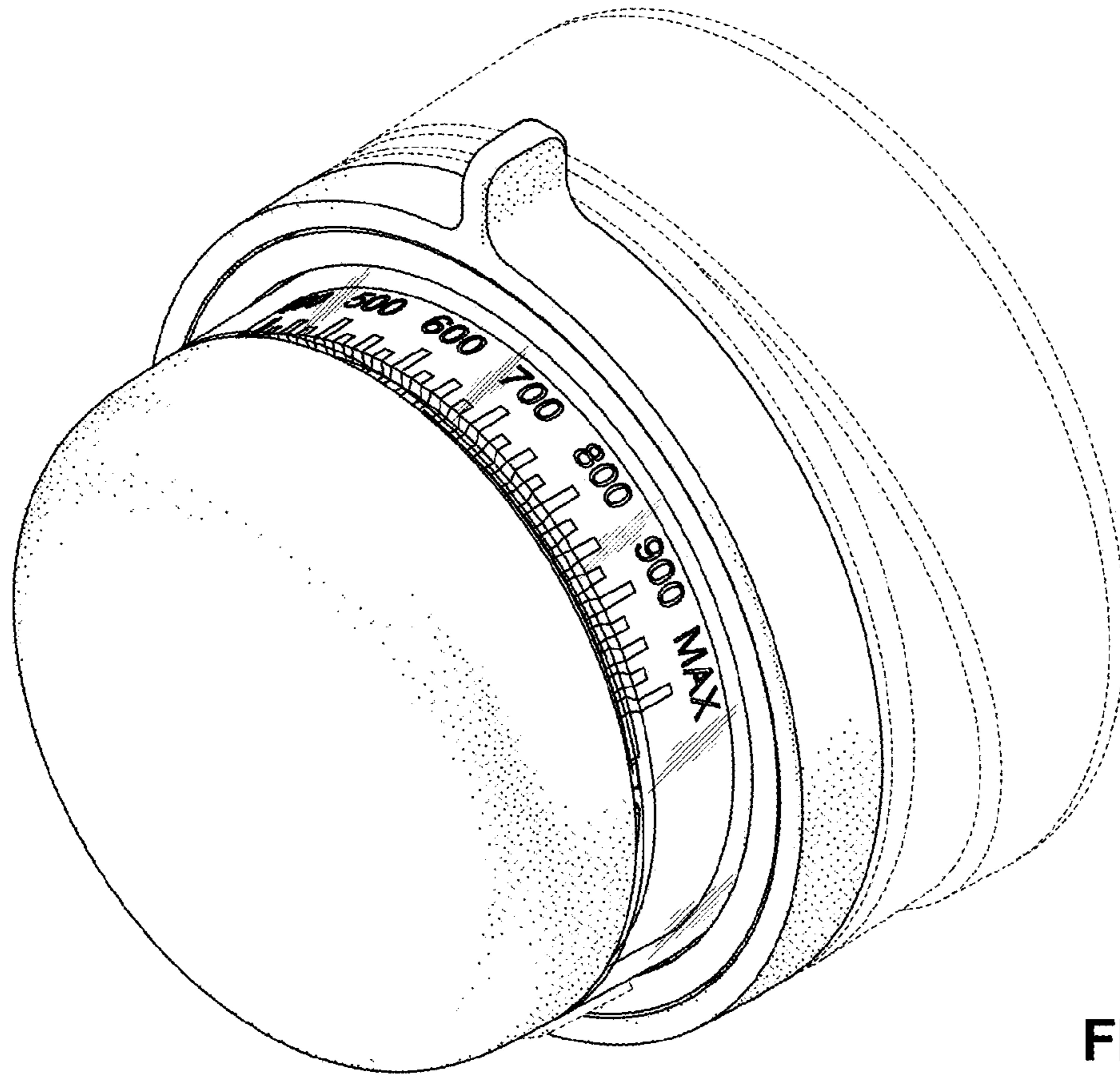


FIG. 1

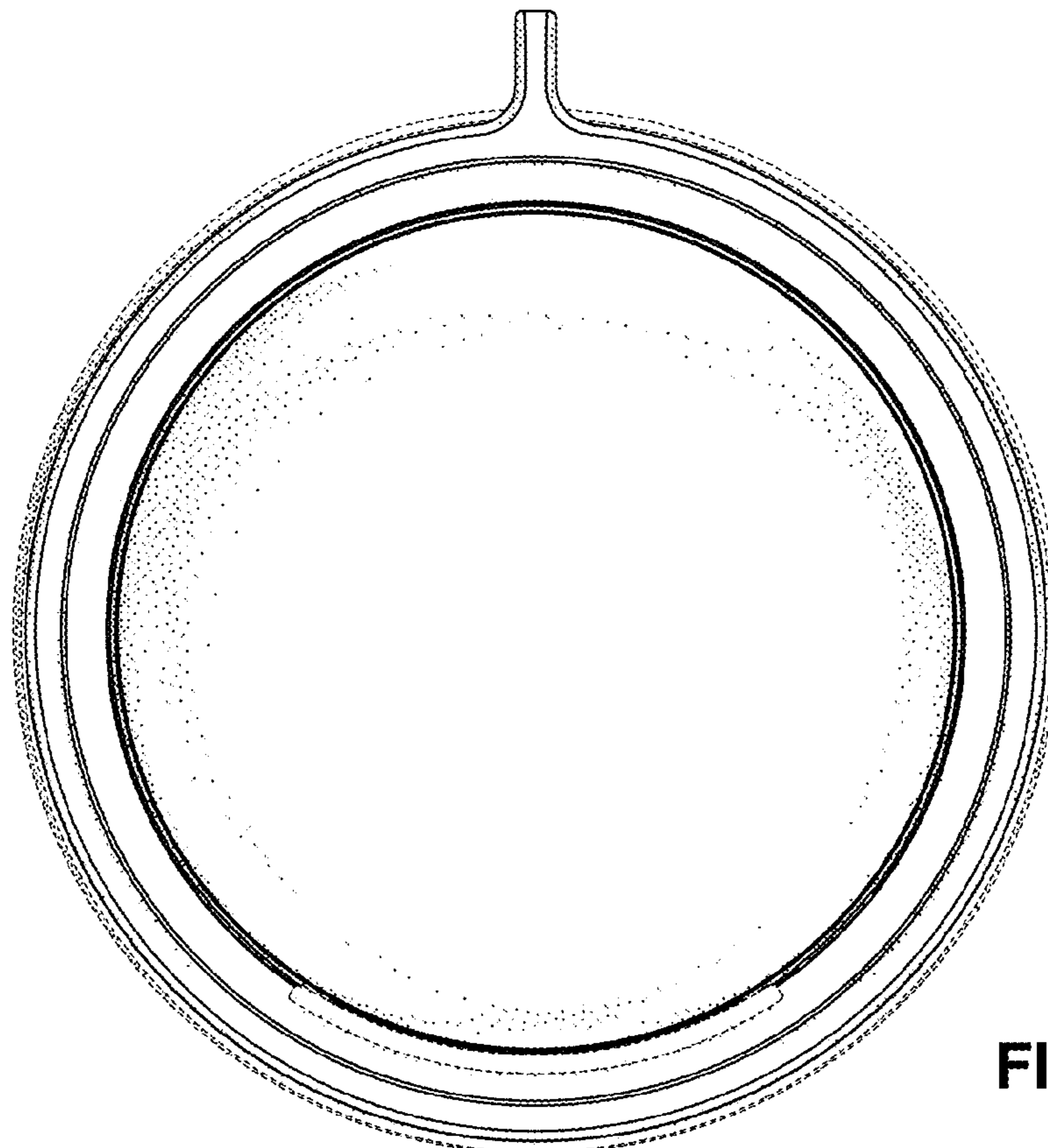


FIG. 2

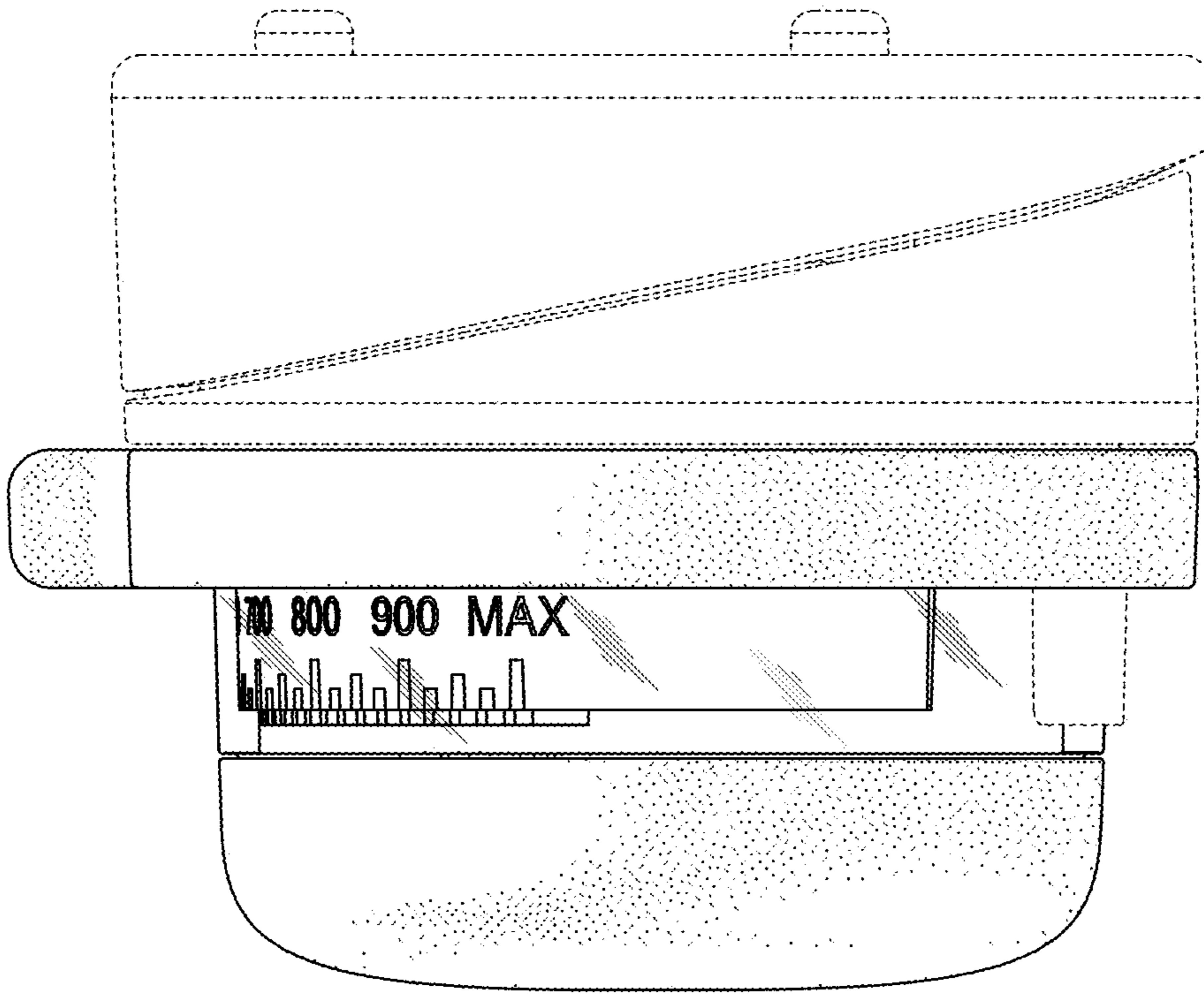


FIG. 4

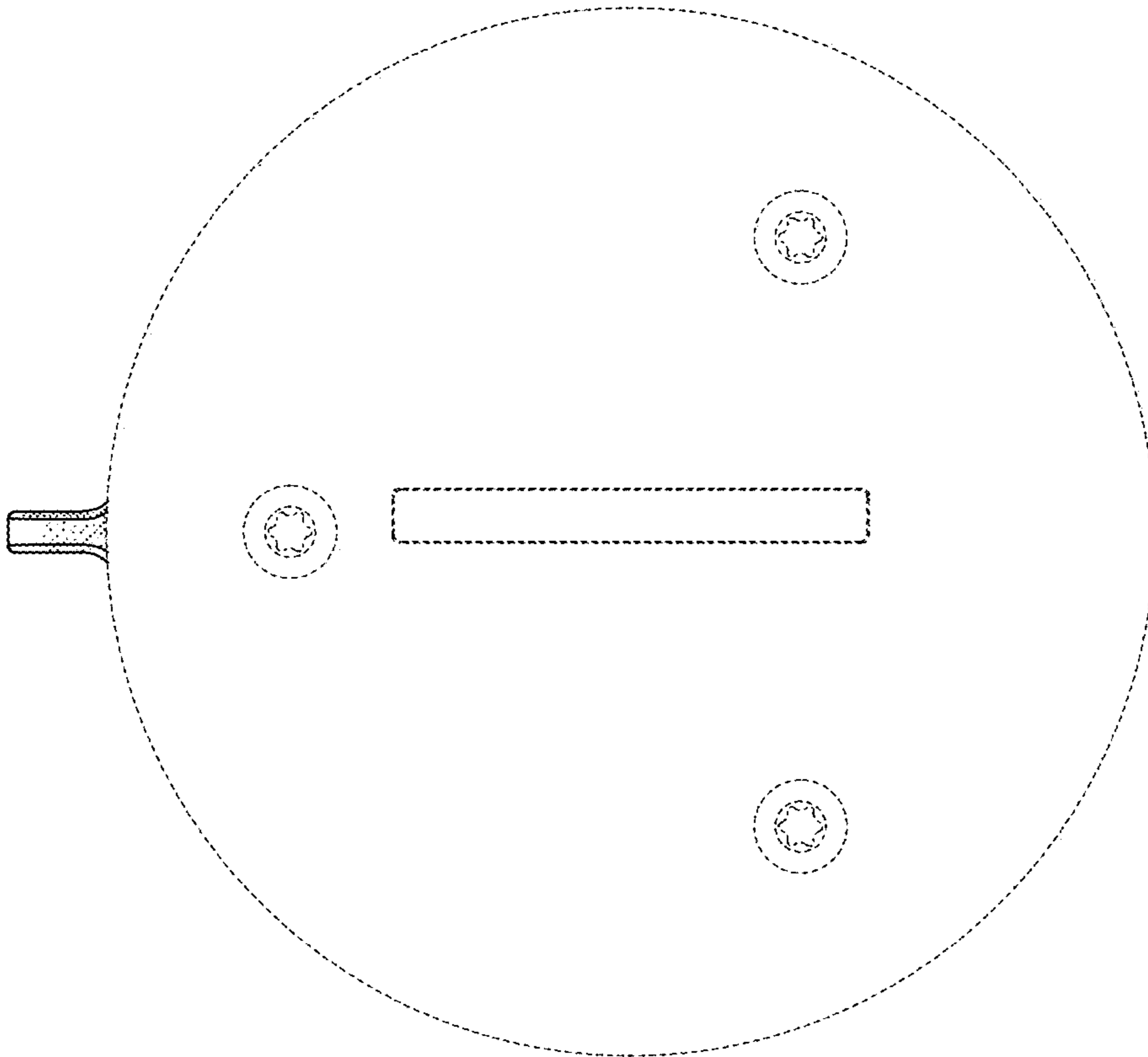


FIG. 3

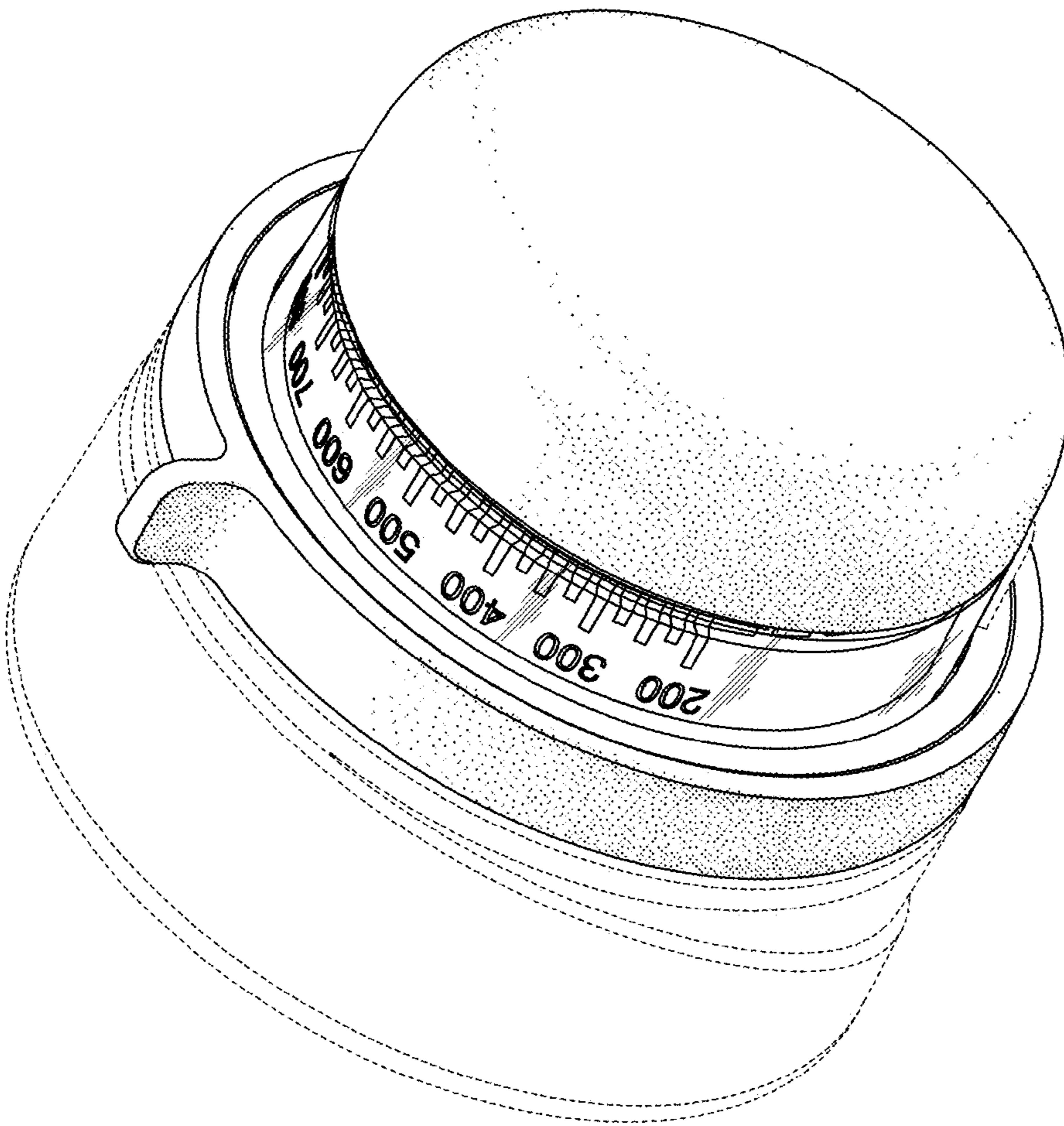


FIG. 6

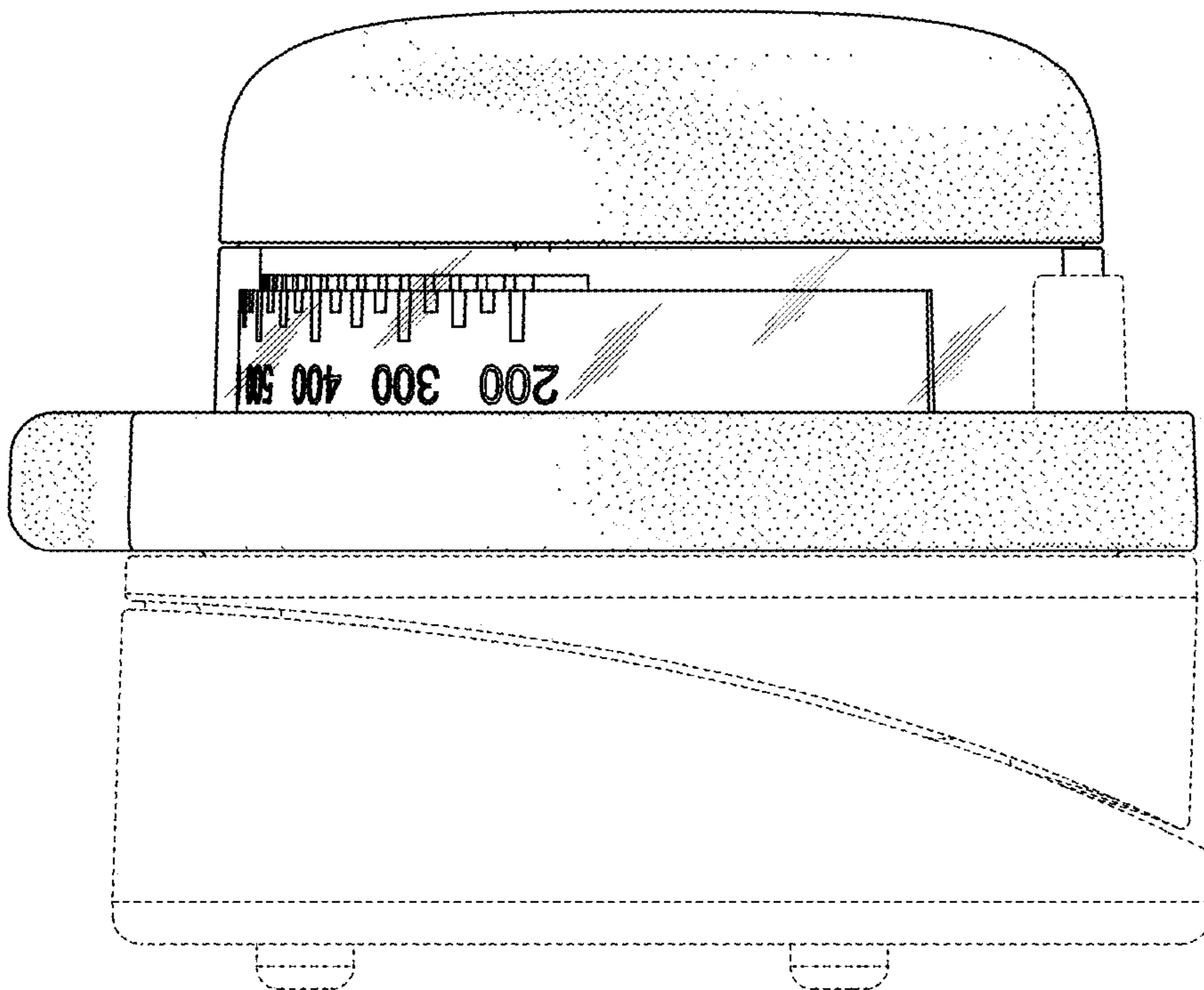


FIG. 5

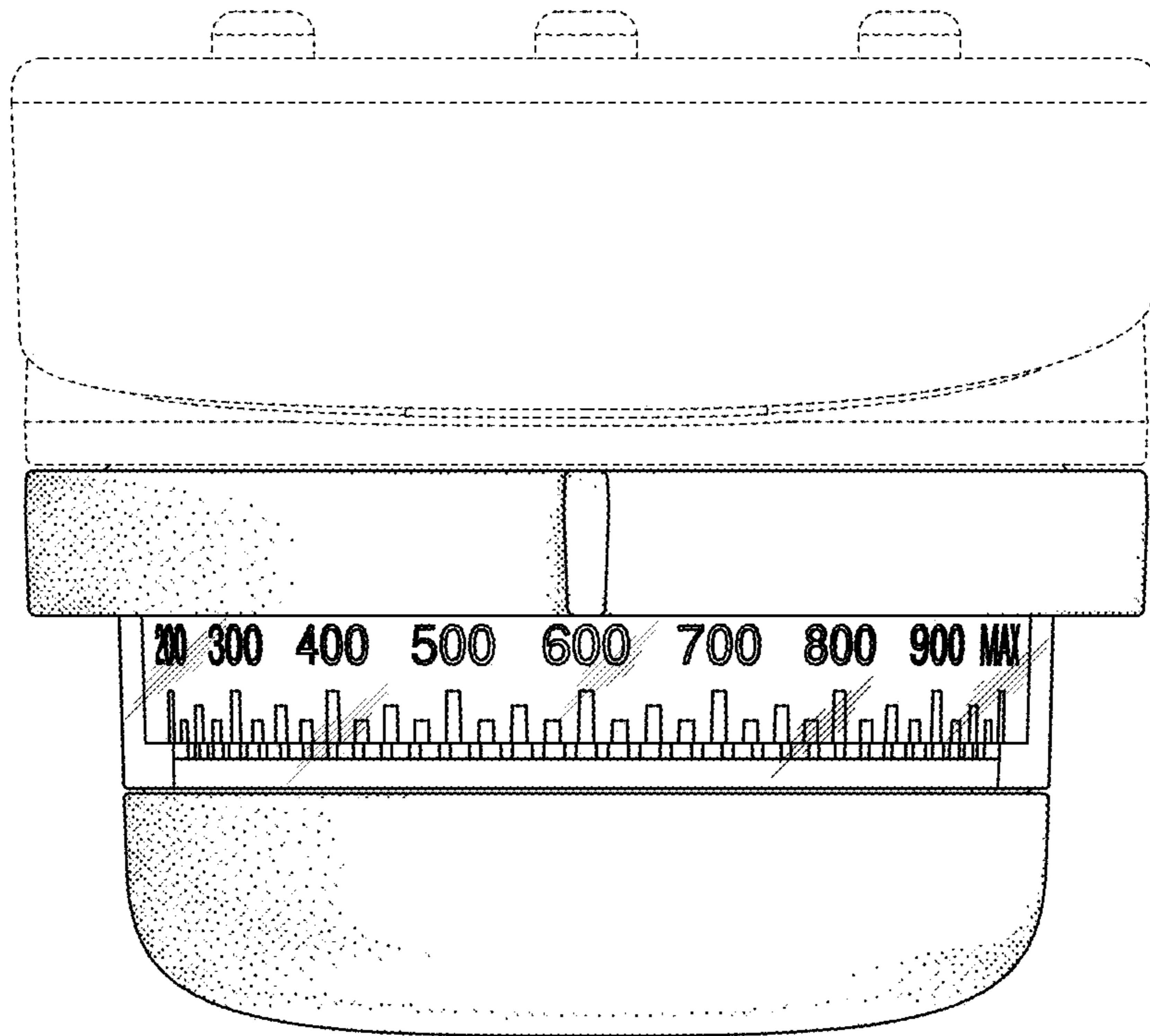


FIG. 7

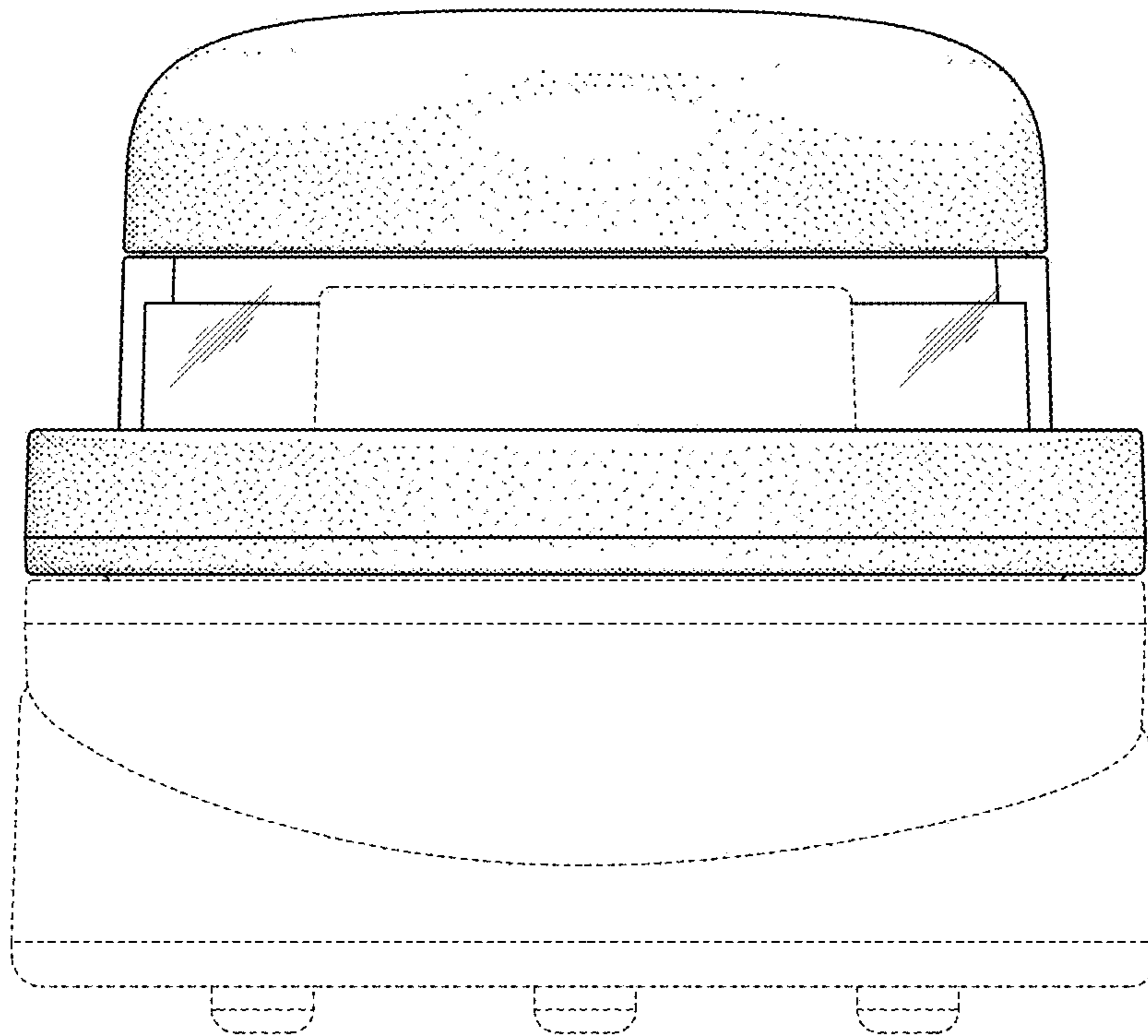


FIG. 8

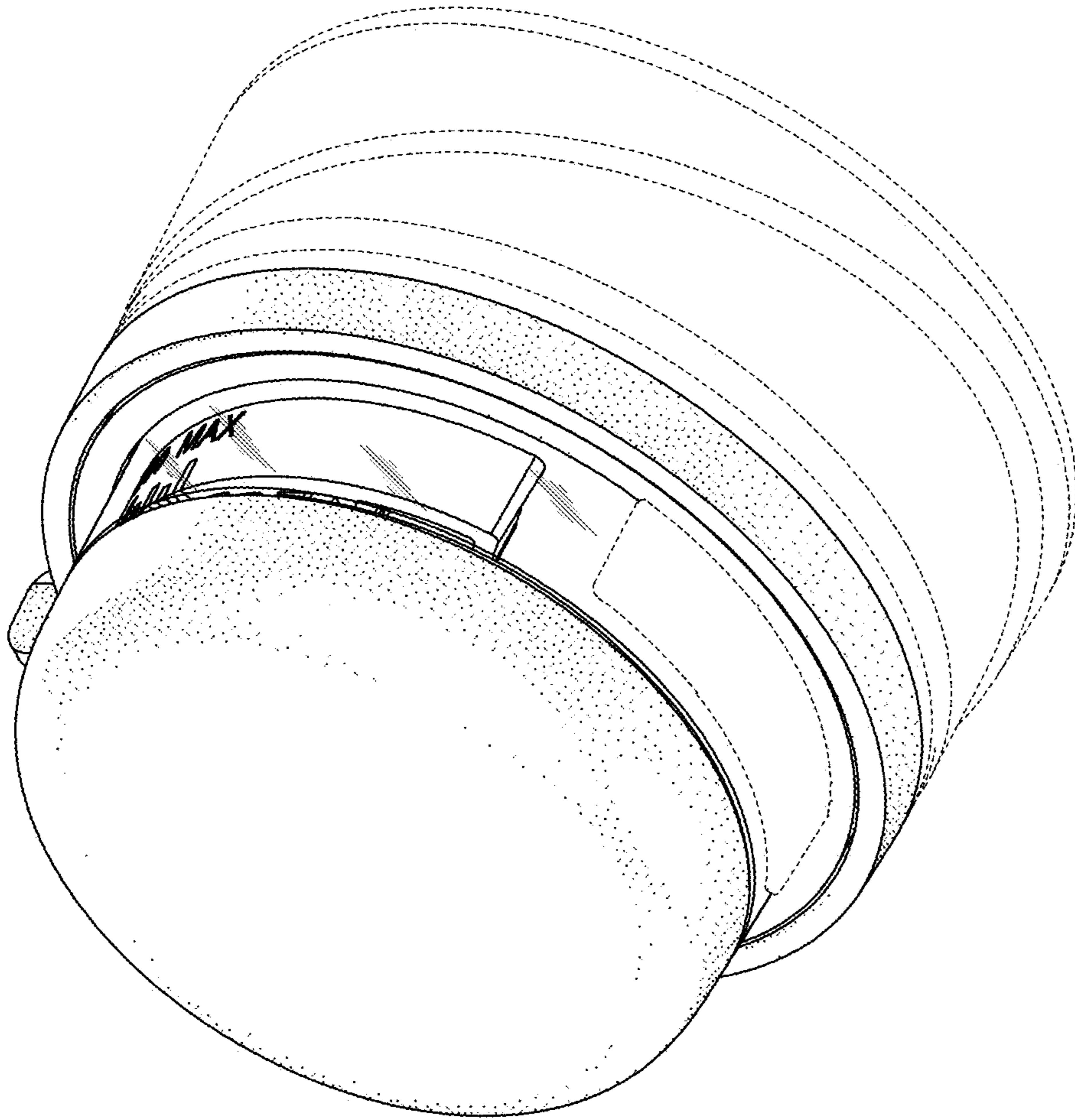


FIG. 9