



US00D935266S

(12) **United States Design Patent**  
**Chen**

(10) **Patent No.:** **US D935,266 S**

(45) **Date of Patent:** **\*\* Nov. 9, 2021**

(54) **BOTTLE LID**

(71) Applicant: **ZHEJIANG HONGLING  
INDUSTRY AND TRADE CO., LTD.,  
Zhejiang (CN)**

(72) Inventor: **Xiaolei Chen, Zhejiang (CN)**

(73) Assignee: **ZHEJIANG HONGLING  
INDUSTRY AND TRADE CO., LTD.,  
Zhejiang (CN)**

(\*\*) Term: **15 Years**

(21) Appl. No.: **29/764,924**

(22) Filed: **Jan. 4, 2021**

(51) **LOC (13) Cl.** ..... **07-01**

(52) **U.S. Cl.**  
USPC ..... **D7/392.1**

(58) **Field of Classification Search**  
USPC ..... D7/392, 392.1, 396.1, 396.2, 397, 509,  
D7/510, 533, 619.1, 622; D9/435, 443,  
D9/516  
CPC ..... B65D 47/2037; B65D 47/066; A47G  
19/2272  
See application file for complete search history.

(56) **References Cited**

**U.S. PATENT DOCUMENTS**

3,307,752	A *	3/1967	Anderson	.....	B65D 23/108 222/465.1
D763,688	S *	8/2016	Breit	.....	D9/443
D801,111	S *	10/2017	Eyal	.....	D7/392.1
D811,879	S	3/2018	Way		
D817,084	S *	5/2018	Hammer	.....	D7/392.1
D817,085	S *	5/2018	Davis	.....	D7/392.1
D824,721	S *	8/2018	Hu	.....	D7/392.1
D830,783	S *	10/2018	Diener	.....	D7/608
D843,778	S *	3/2019	Yao	.....	D7/392.1
D853,238	S	7/2019	Yao		
D858,181	S *	9/2019	Lown	.....	D7/392.1

D894,670	S *	9/2020	Adams, Jr.	.....	D7/392.1
D903,404	S *	12/2020	Bram	.....	D7/392.1
2009/0236341	A1 *	9/2009	McKinney	.....	A47G 19/2266 220/375
2015/0173539	A1 *	6/2015	Mason	.....	B65D 47/063 220/707

**OTHER PUBLICATIONS**

“Simple Modern: Summit Water Bottle Lid 3-Pack: Flip Lid with Handle, Insulated Straw Lid, and Insulated Chug Lid”. Found online Apr. 16, 2021 at amazon.com. Reference dated Aug. 7, 2019. Retrieved from [https://www.amazon.com/Simple-Modern-Summit-Water-Bottle/dp/B07W7W7R5J/ref=sr\\_1\\_1\\_sspa?.](https://www.amazon.com/Simple-Modern-Summit-Water-Bottle/dp/B07W7W7R5J/ref=sr_1_1_sspa?)\*  
“Camelbak: Chute Water Bottle”. Found online Jun. 9, 2017 at shopnaturally.com. Reference dated May 10, 2015. Retrieved from [http://www.shopnaturally.com.au/camelbak-chute-water-bottle-bpa-free-tritan-plastic-with-screw-lid-600ml-blastoff-blue.html.](http://www.shopnaturally.com.au/camelbak-chute-water-bottle-bpa-free-tritan-plastic-with-screw-lid-600ml-blastoff-blue.html)\*

(Continued)

*Primary Examiner* — Kendra Leslie Hamilton  
(74) *Attorney, Agent, or Firm* — ScienBiziP, P.C.

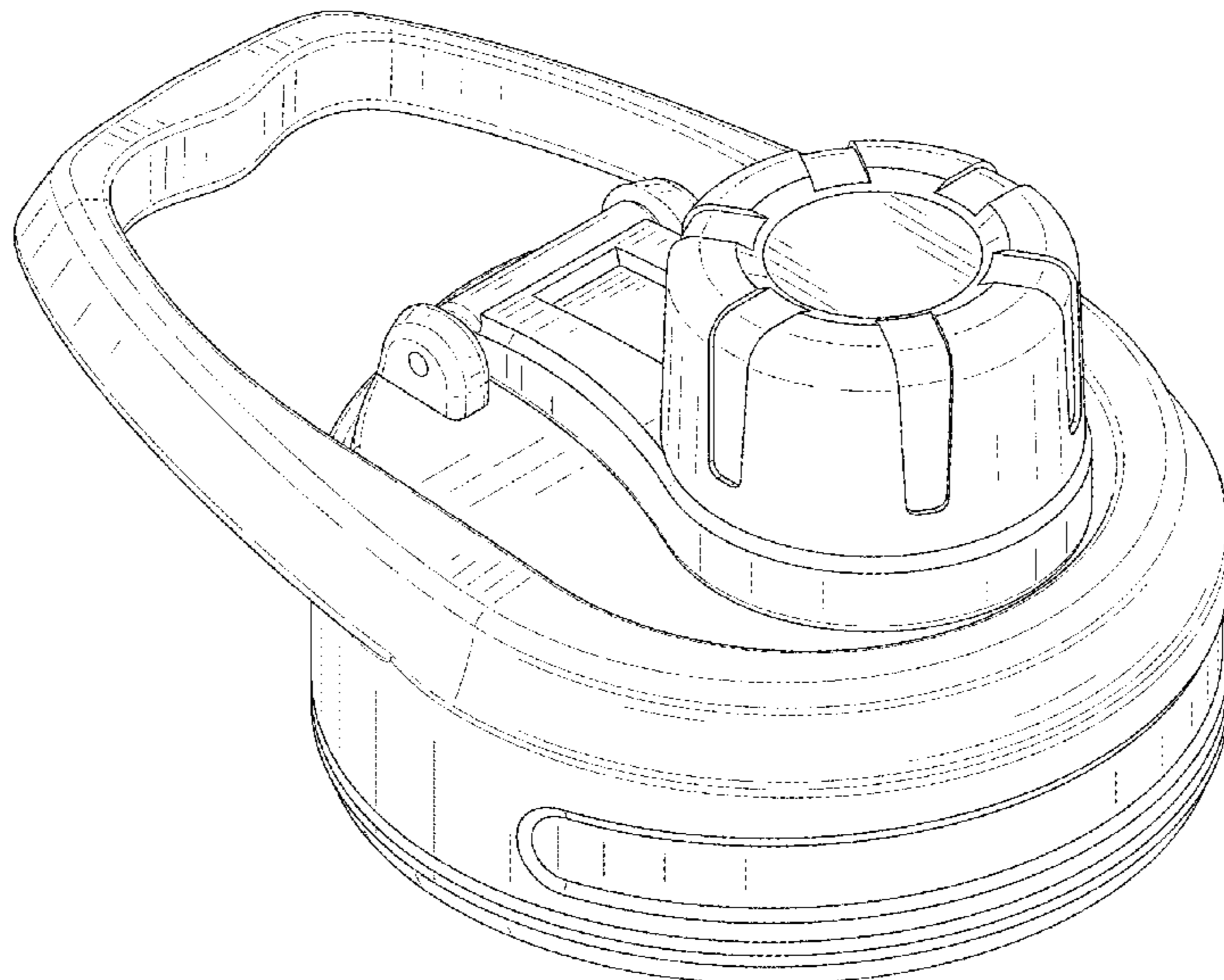
(57) **CLAIM**

The ornamental design for a bottle lid, as shown and described.

**DESCRIPTION**

FIG. 1 is a front, left, and top perspective view of a bottle lid, showing my design.  
FIG. 2 is a rear, right, and top perspective view thereof.  
FIG. 3 is a front elevation view thereof.  
FIG. 4 is a rear elevation view thereof.  
FIG. 5 is a left side elevation view thereof.  
FIG. 6 is a right side elevation view thereof.  
FIG. 7 is a top plan view thereof; and,  
FIG. 8 is a bottom plan view thereof.  
The broken lines in the drawings depict portions of the bottle lid that form no part of the claimed design.

**1 Claim, 8 Drawing Sheets**



(56)

**References Cited**

OTHER PUBLICATIONS

“RTIC: Bottle Sport Lid”. Found online Apr. 16, 2021 at amazon.com. Reference dated Feb. 4, 2017. Retrieved from <https://www.amazon.com/RTIC-Bottle-Sport-Mouth-Bottles/dp/B01N18PG9W>.\*

“AeroBottle Primus Steel Water Bottle”. Found online Mar. 6, 2020 at amazon.com. Reference dated May 5, 2018. Retrieved from [https://www.amazon.com/AeroBottle-Primus-Bottle-Protein-Shaker/dp/B07CQ7V7T2/ref=sr\\_1\\_33?keywords=primus%2Bbottle&qid=1583531841&sr=8-33&th=1](https://www.amazon.com/AeroBottle-Primus-Bottle-Protein-Shaker/dp/B07CQ7V7T2/ref=sr_1_33?keywords=primus%2Bbottle&qid=1583531841&sr=8-33&th=1).\*

\* cited by examiner

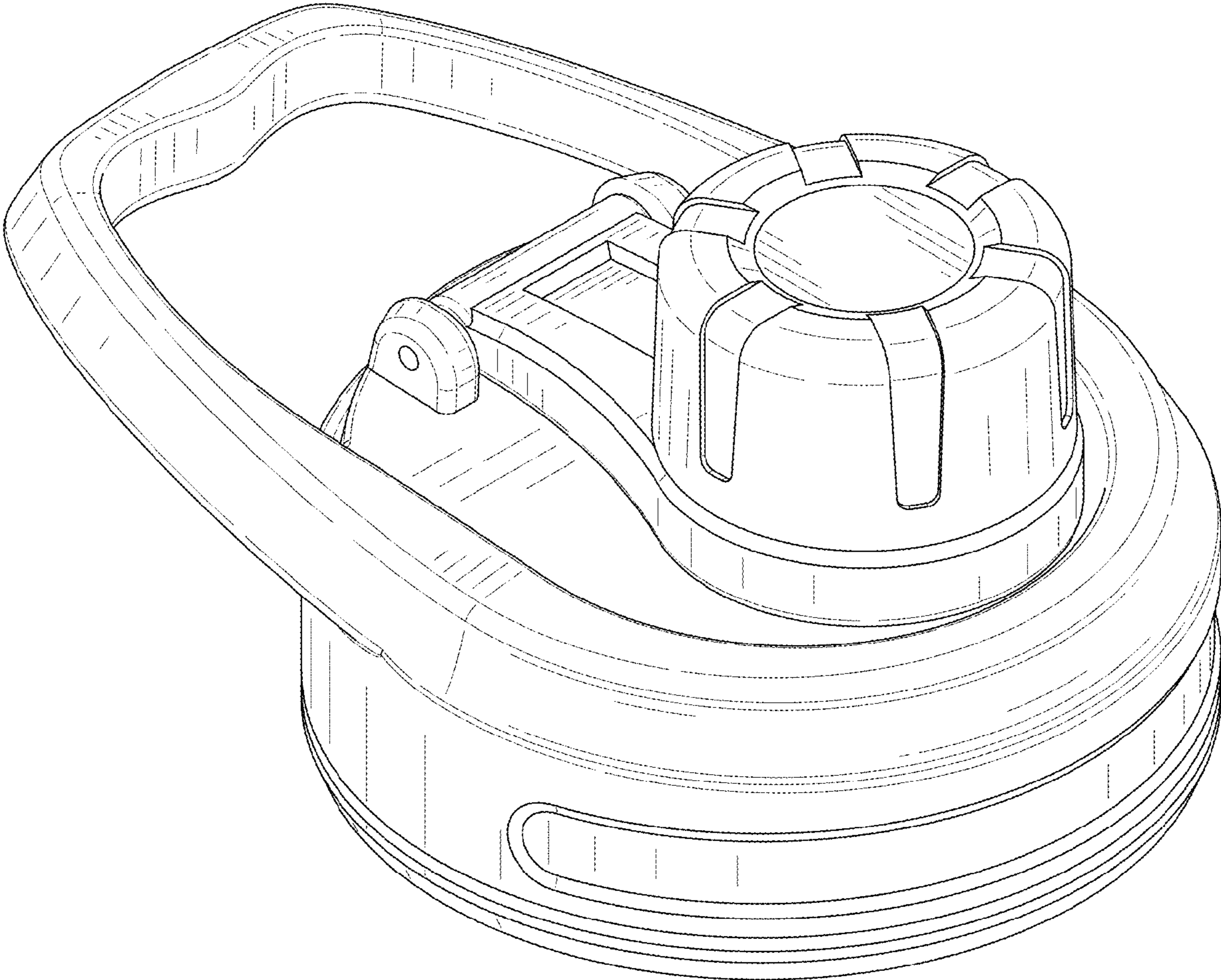


FIG. 1



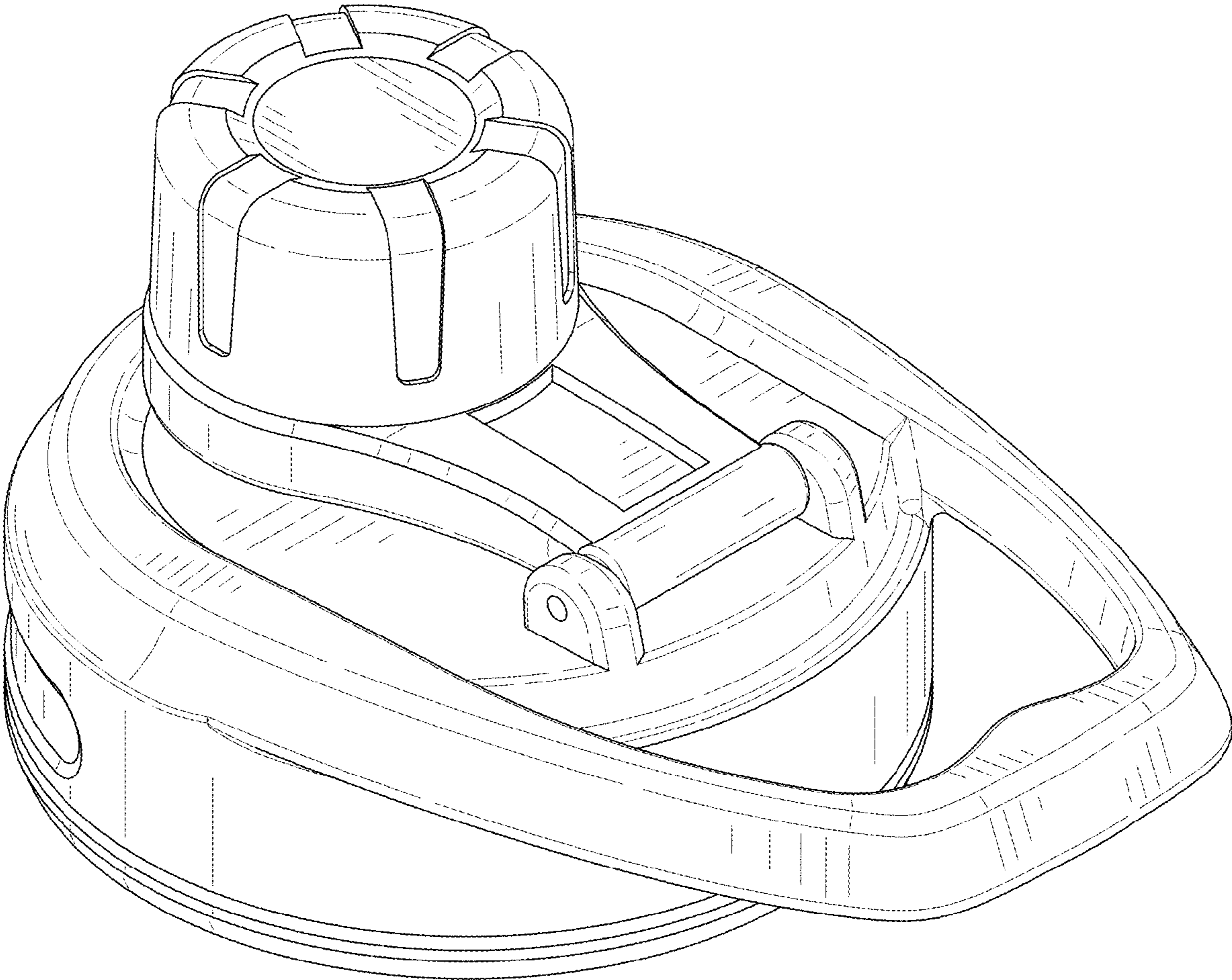


FIG. 2

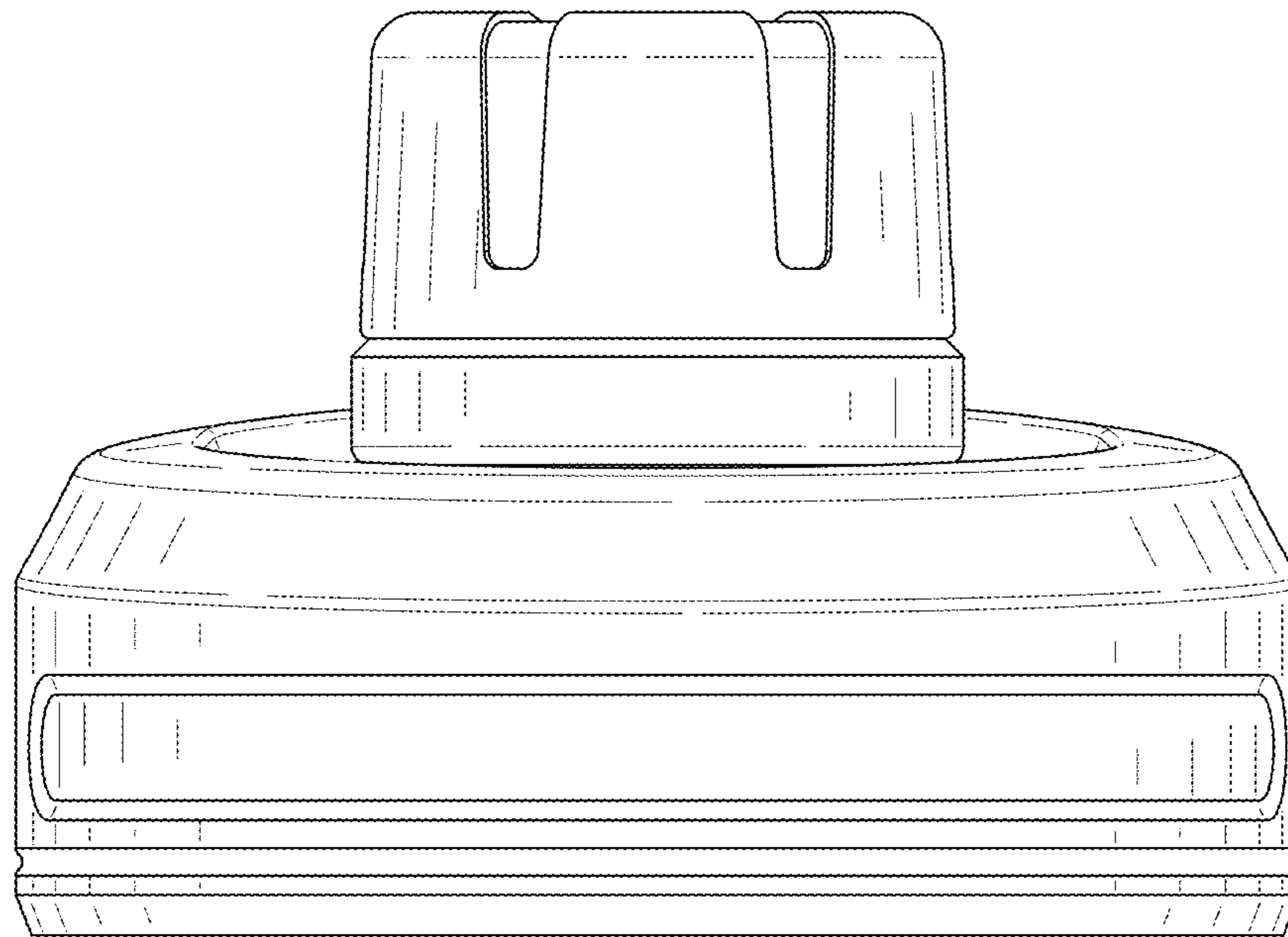


FIG. 3

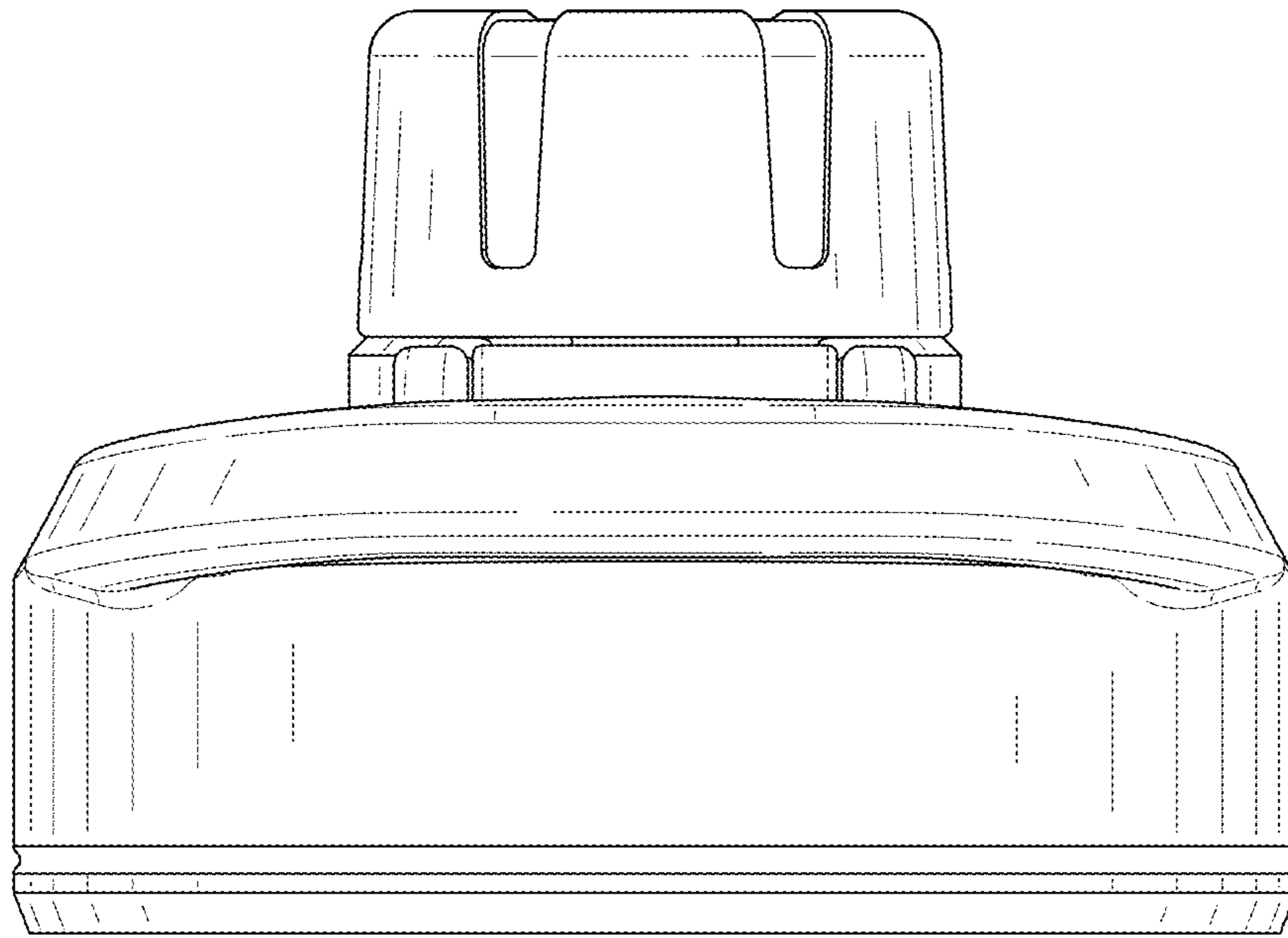


FIG. 4

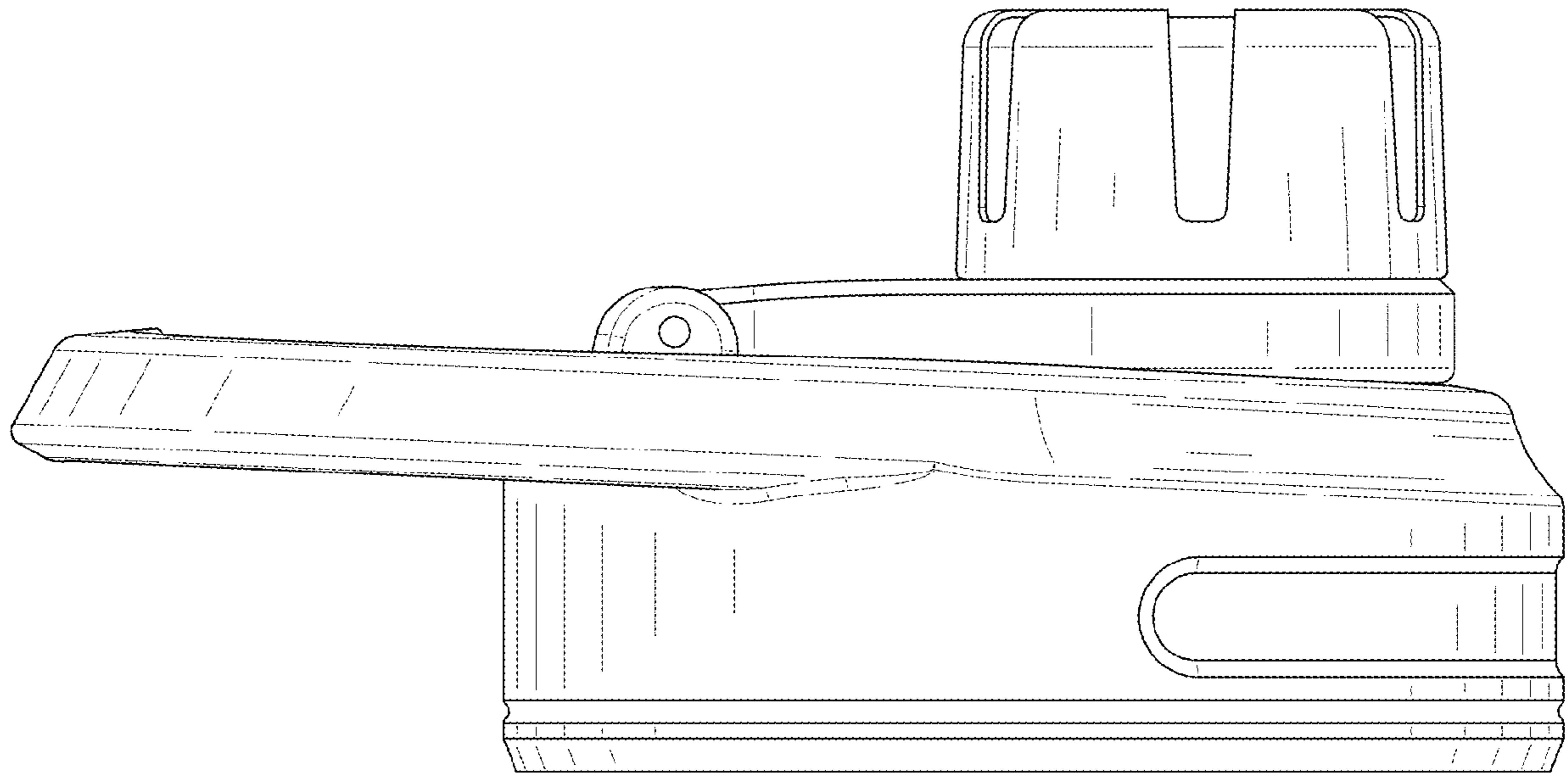


FIG. 5

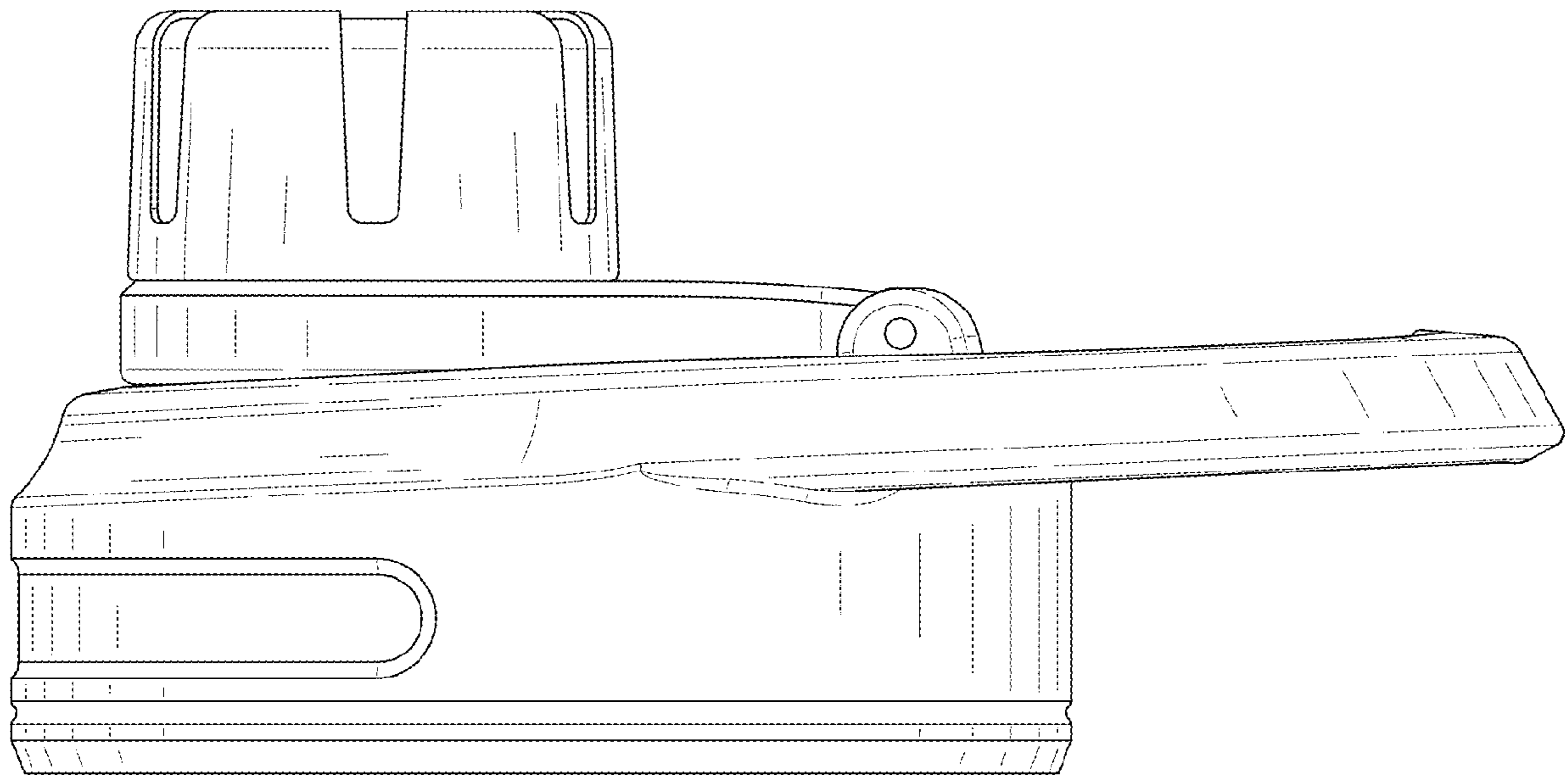


FIG. 6



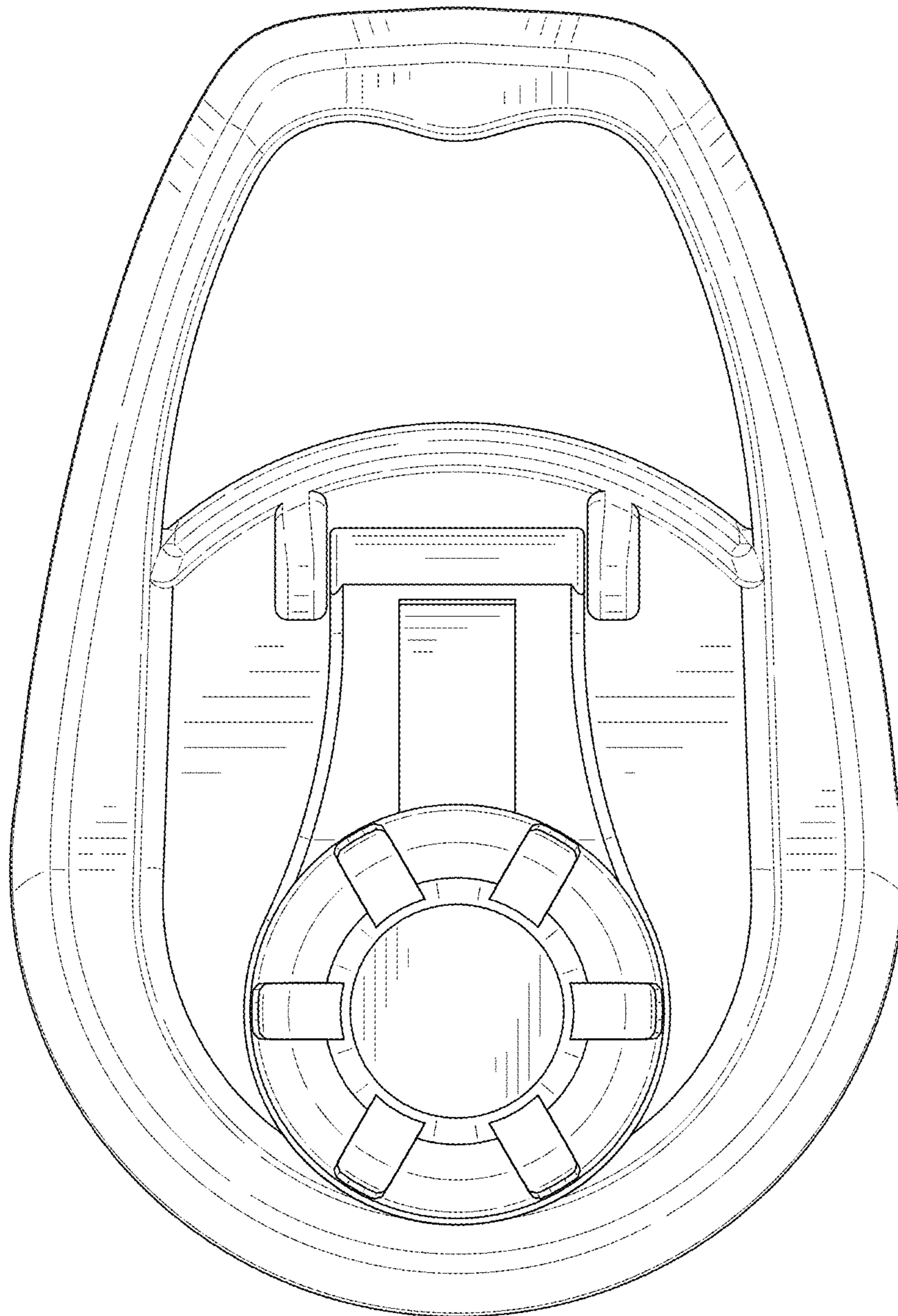


FIG. 7

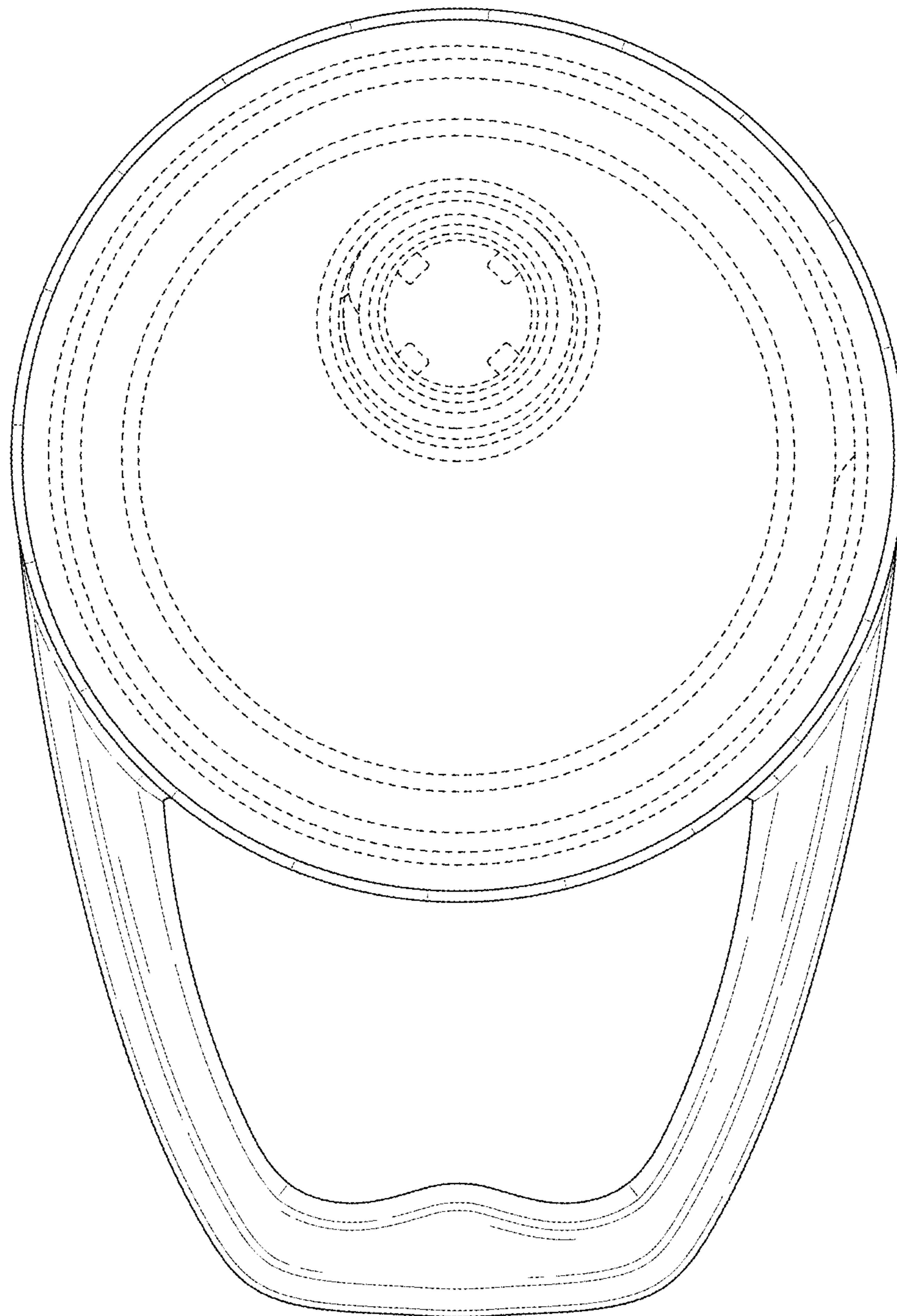


FIG. 8