



US00D935265S

(12) **United States Design Patent**  
**Chen**

(10) **Patent No.:** **US D935,265 S**

(45) **Date of Patent:** **\*\* Nov. 9, 2021**

(54) **STRAW CUP LID**

(71) Applicant: **ZHEJIANG HONGLING  
INDUSTRY AND TRADE CO., LTD,**  
Zhejiang (CN)

(72) Inventor: **Xiaolei Chen,** Anhui (CN)

(73) Assignee: **ZHEJIANG HONGLING  
INDUSTRY AND TRADE CO., LTD,**  
Zhejiang (CN)

(\*\*) Term: **15 Years**

(21) Appl. No.: **29/749,260**

(22) Filed: **Sep. 3, 2020**

(51) **LOC (13) Cl.** ..... **07-99**

(52) **U.S. Cl.**  
USPC ..... **D7/392.1**

(58) **Field of Classification Search**  
USPC .... D6/515, 542; D7/391, 392, 392.1, 396.1,  
D7/396.2, 397, 398; D9/434, 435, 436,  
D9/439, 440, 447, 448, 449, 450, 452,  
D9/454, 682, 685, 686, 688, 690, 723,  
D9/729, 503, 504, 505, 516, 529, 548,  
D9/549

CPC ..... B65D 47/065; B65D 47/066; B65D 1/46;  
B65D 41/00; B65D 41/38; B65D 41/56;  
B65D 41/63; B65D 47/00; B65D 47/06;  
B65D 47/08; B65D 2251/00; B65D  
85/804; B65D 25/082; A47G 19/2205;  
A47G 19/2222; A45F 3/16; A45F 3/20;  
B67D 7/06; B67D 7/0004; A61J 1/00;  
A61J 1/1412; A47J 31/407

See application file for complete search history.

(56) **References Cited**

**U.S. PATENT DOCUMENTS**

D649,879 S \* 12/2011 Gullickson ..... D9/450  
D727,092 S 4/2015 Rudisill  
D729,569 S \* 5/2015 Herbst ..... D7/392

D802,993 S \* 11/2017 Joseph ..... D7/392.1  
D808,711 S \* 1/2018 Joseph ..... D7/392.1  
D811,162 S \* 2/2018 Rane ..... D7/396.2  
D812,966 S \* 3/2018 Murosky ..... D7/392.1  
D814,855 S \* 4/2018 Hammer ..... D7/392.1  
D820,637 S \* 6/2018 Davis ..... D7/392.1  
D839,731 S 2/2019 Lin  
D870,508 S \* 12/2019 Palkon ..... D7/392.1  
D871,144 S \* 12/2019 Zhang ..... D7/510  
D884,419 S \* 5/2020 Backs ..... D7/396.2

(Continued)

**OTHER PUBLICATIONS**

WaterFit Straw Lid: Announced Feb. 8, 2021 (online). Site Visited  
[Mar. 23, 2021], Available from Internet URL: [https://www.amazon.com/WaterFit-Straw-Hydro-Flask-Bottle/dp/B07QK8163J/ref=sr\\_1\\_245?dchild=1&keywords=Sports+Bottle+Caps&qid=1616556%E2%80%A6](https://www.amazon.com/WaterFit-Straw-Hydro-Flask-Bottle/dp/B07QK8163J/ref=sr_1_245?dchild=1&keywords=Sports+Bottle+Caps&qid=1616556%E2%80%A6).\*

(Continued)

*Primary Examiner* — Catherine S Posthauer  
(74) *Attorney, Agent, or Firm* — ScienBiziP, P.C.

(57) **CLAIM**

The ornamental design for a straw cup lid, as shown and described.

**DESCRIPTION**

FIG. 1 is a front perspective view of a straw cup lid, showing my design.

FIG. 2 is a rear perspective view thereof.

FIG. 3 is a front elevation view thereof.

FIG. 4 is a rear elevation view thereof.

FIG. 5 is a left side elevation view thereof.

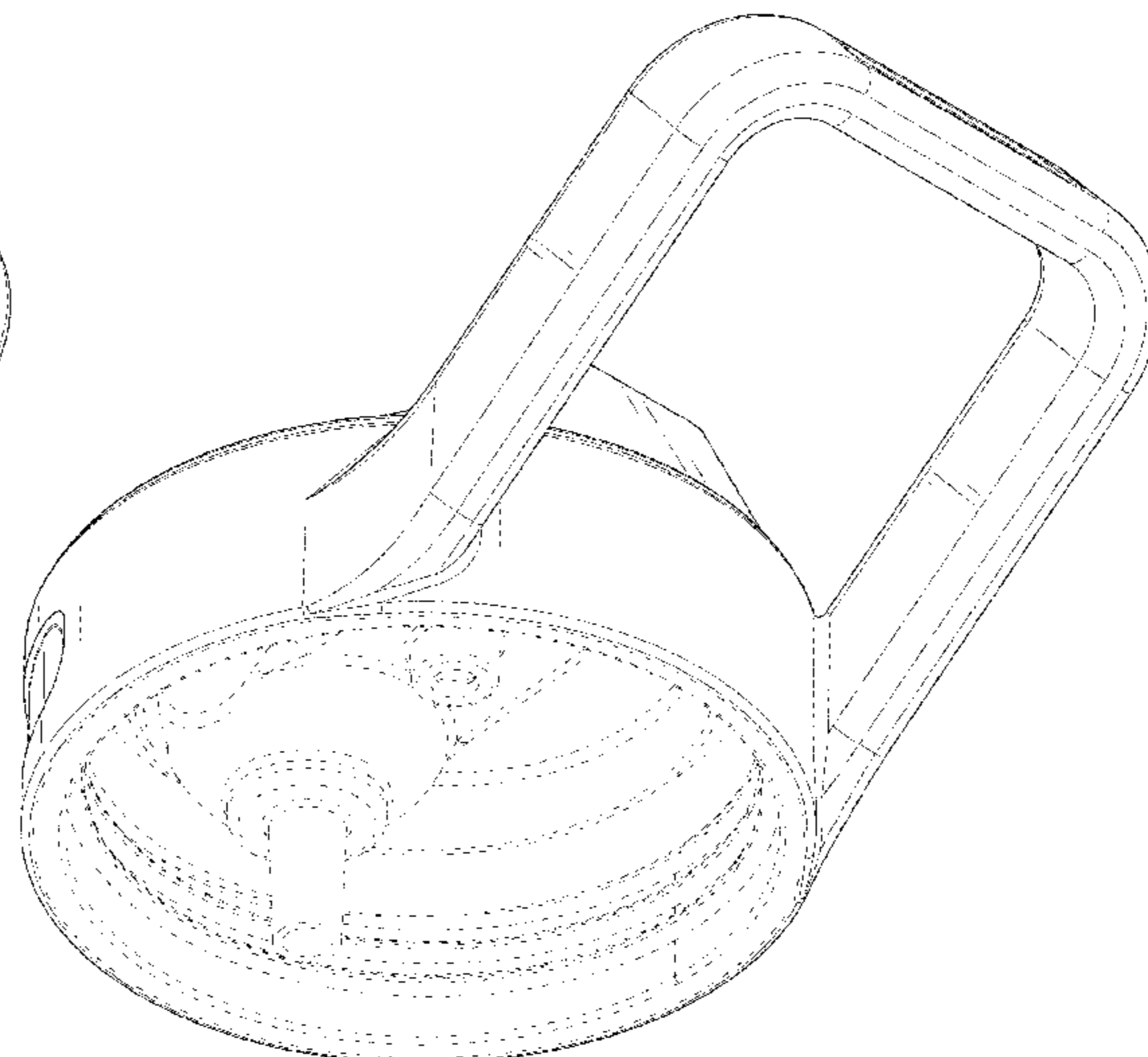
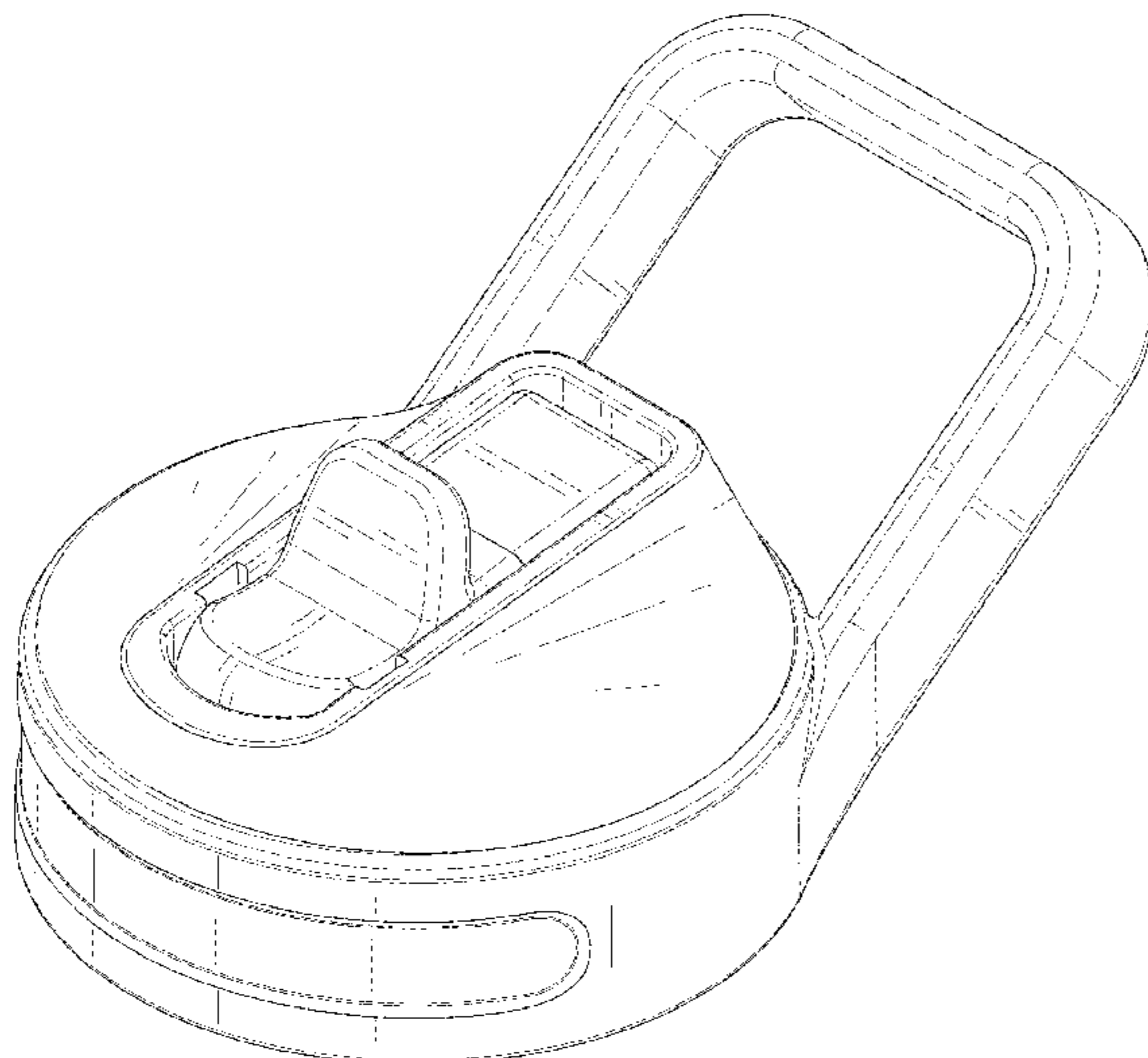
FIG. 6 is a right side elevation view thereof.

FIG. 7 is a top plan view thereof; and,

FIG. 8 is a bottom plan view thereof.

The broken lines immediately adjacent to the shaded areas depict the bounds of the claimed design, while all other broken lines illustrate portions of the straw cup lid. The broken lines form no part of the claimed design.

**1 Claim, 8 Drawing Sheets**



(56)

**References Cited**

## U.S. PATENT DOCUMENTS

D887,776 S \* 6/2020 Bo ..... D7/392.1  
D893,245 S \* 8/2020 Zhang ..... D7/392.1  
D897,146 S \* 9/2020 Lane ..... D7/392  
D897,760 S \* 10/2020 Feng ..... D7/392.1  
D900,537 S \* 11/2020 Yao ..... D7/392.1  
D900,538 S \* 11/2020 Yao ..... D7/392.1  
D903,403 S \* 12/2020 Ames ..... D7/392  
D911,101 S \* 2/2021 Fang ..... D7/392.1  
2021/0002041 A1 \* 1/2021 Starner ..... B65D 47/305

## OTHER PUBLICATIONS

Gallon Water Bottle with Straw: Announced Sep. 20, 2019 (online). Site Visited Mar. 23, 2021], Available from Internet URL: [https://www.amazon.com/Gallon-Bottle-Motivational-Bottles-Handles/dp/B083GL4QVV/ref=sr\\_1\\_147\\_sspa?dchild=1&keywords=Sports%2BBottle%E2%80%A6](https://www.amazon.com/Gallon-Bottle-Motivational-Bottles-Handles/dp/B083GL4QVV/ref=sr_1_147_sspa?dchild=1&keywords=Sports%2BBottle%E2%80%A6).\*

Kodee Straw Lid: Announced Jan. 13, 2021 (online). Site Visited [Mar. 23, 2021], Available from Internet URL: [https://www.amazon.com/kodee-Compatible-Bottles-Replacement-Brushes/dp/B08B5RRMHL/ref=sr\\_1\\_60\\_sspa?dchild=1&keywords=Sports%2BBot%E2%80%A6](https://www.amazon.com/kodee-Compatible-Bottles-Replacement-Brushes/dp/B08B5RRMHL/ref=sr_1_60_sspa?dchild=1&keywords=Sports%2BBot%E2%80%A6).\*

Camel Bak: Announced Dec. 13, 2020 (online). Site Visited [Mar. 23, 2021], Available from Internet URL: <https://www.camelbak.com/recreation/bottles/stainless-steel/CB-1650.html>.\*

UCGYM Sport Water Bottle: Announced Dec. 10, 2020 (online). Site Visited [Mar. 23, 2021], Available from Internet URL: [https://www.hizmetSunm.com/index.php?main\\_page=product\\_info&products\\_id=540275](https://www.hizmetSunm.com/index.php?main_page=product_info&products_id=540275).\*

\* cited by examiner

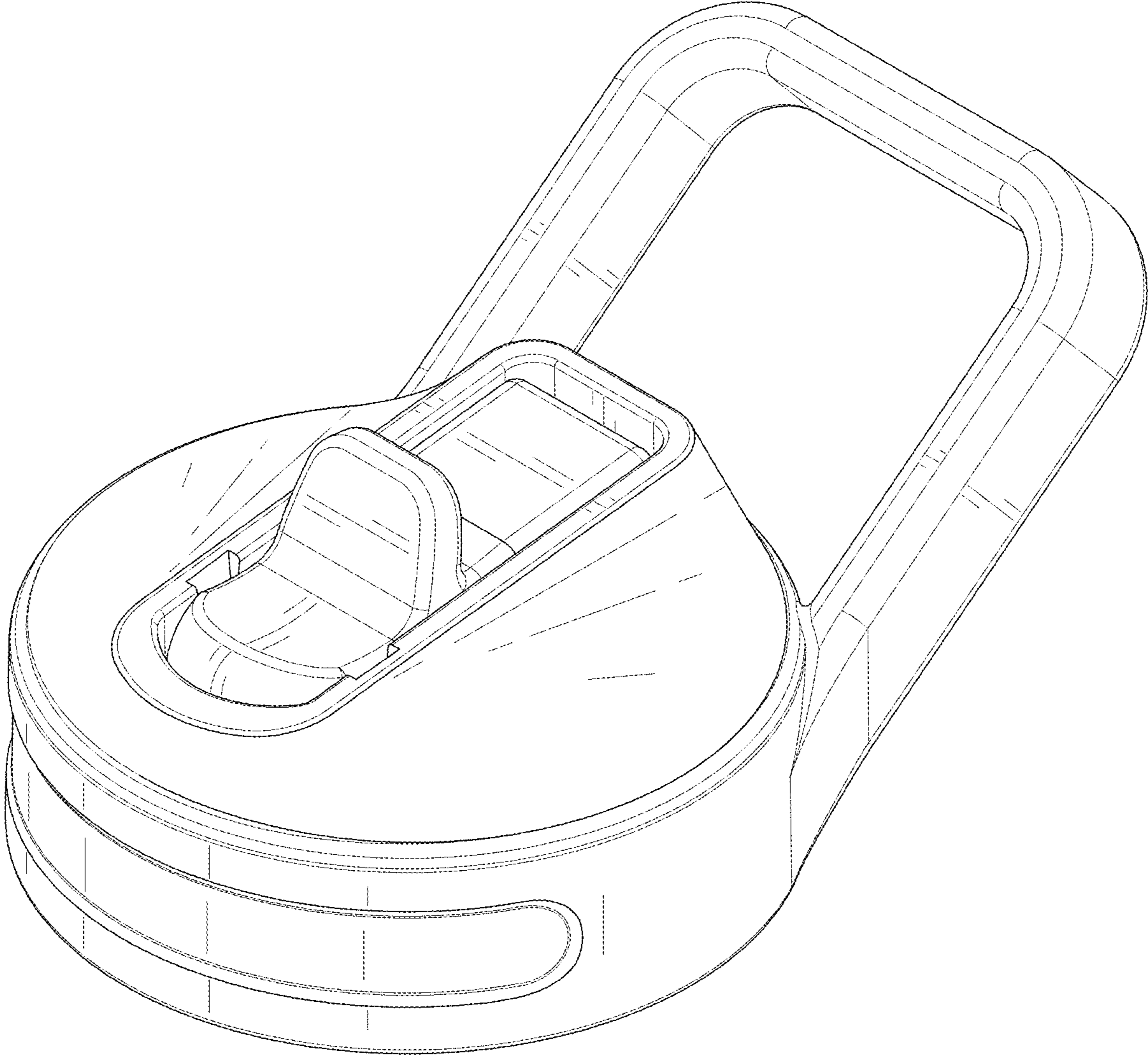


FIG.1



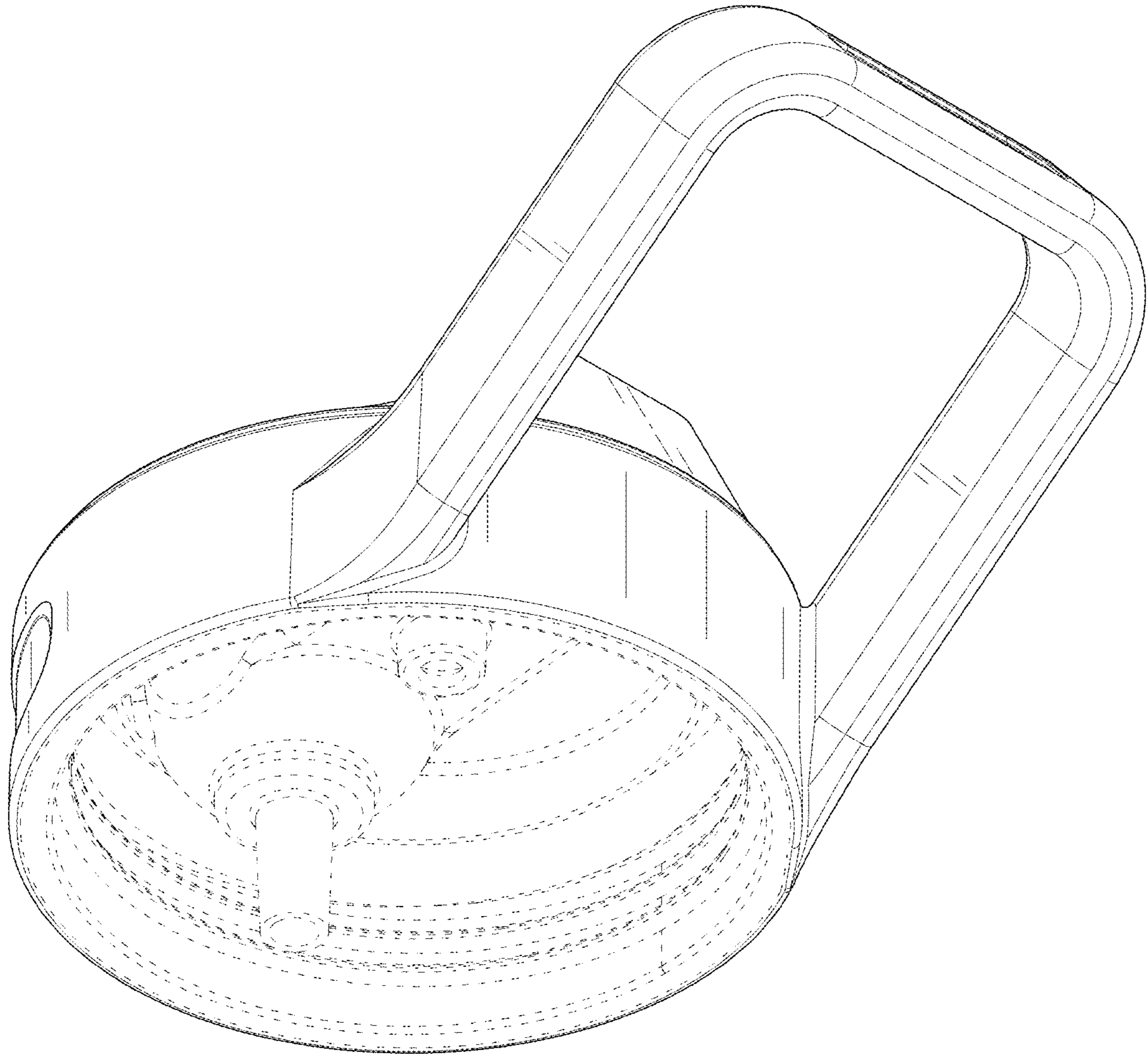


FIG.2

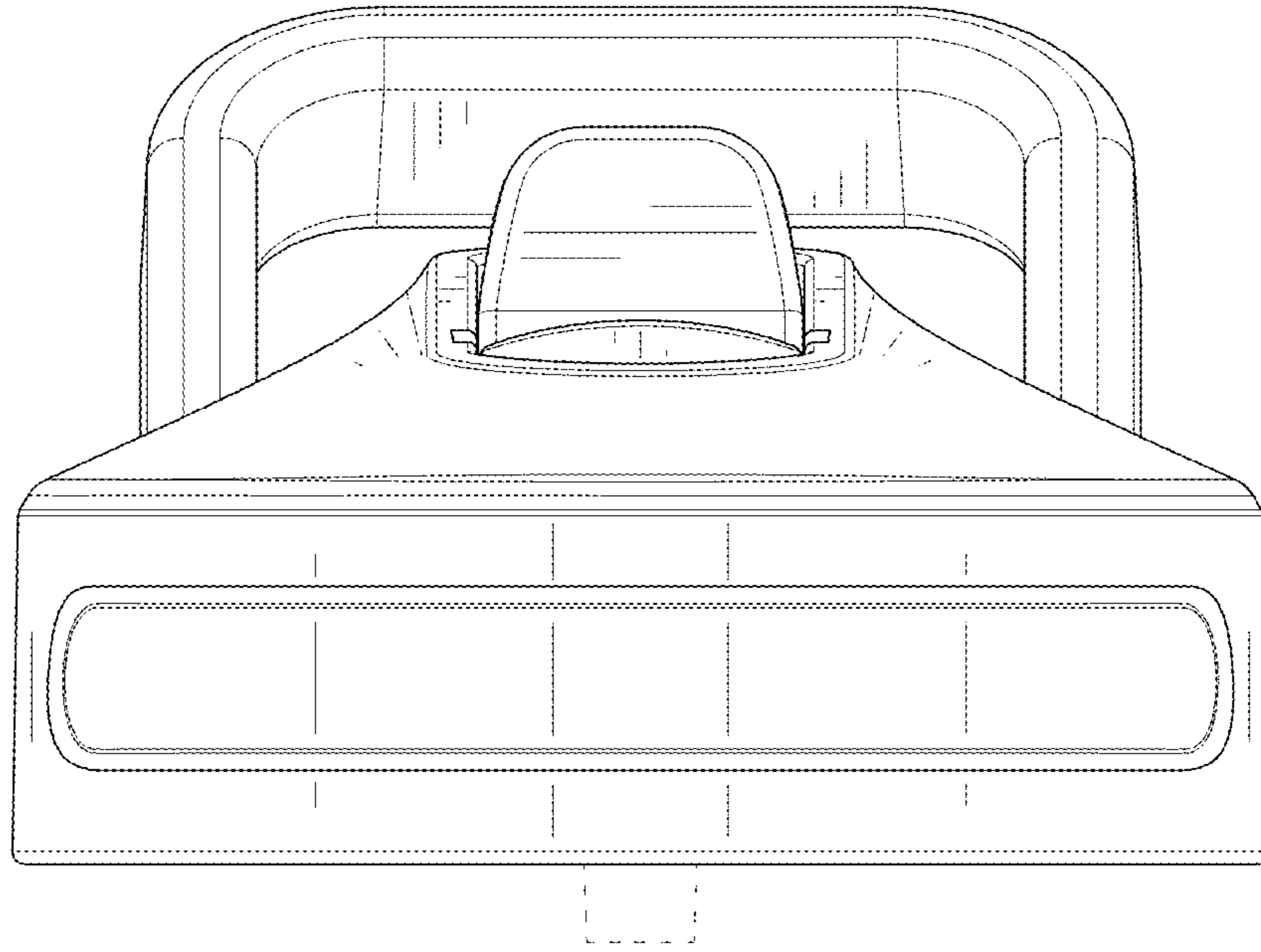


FIG.3

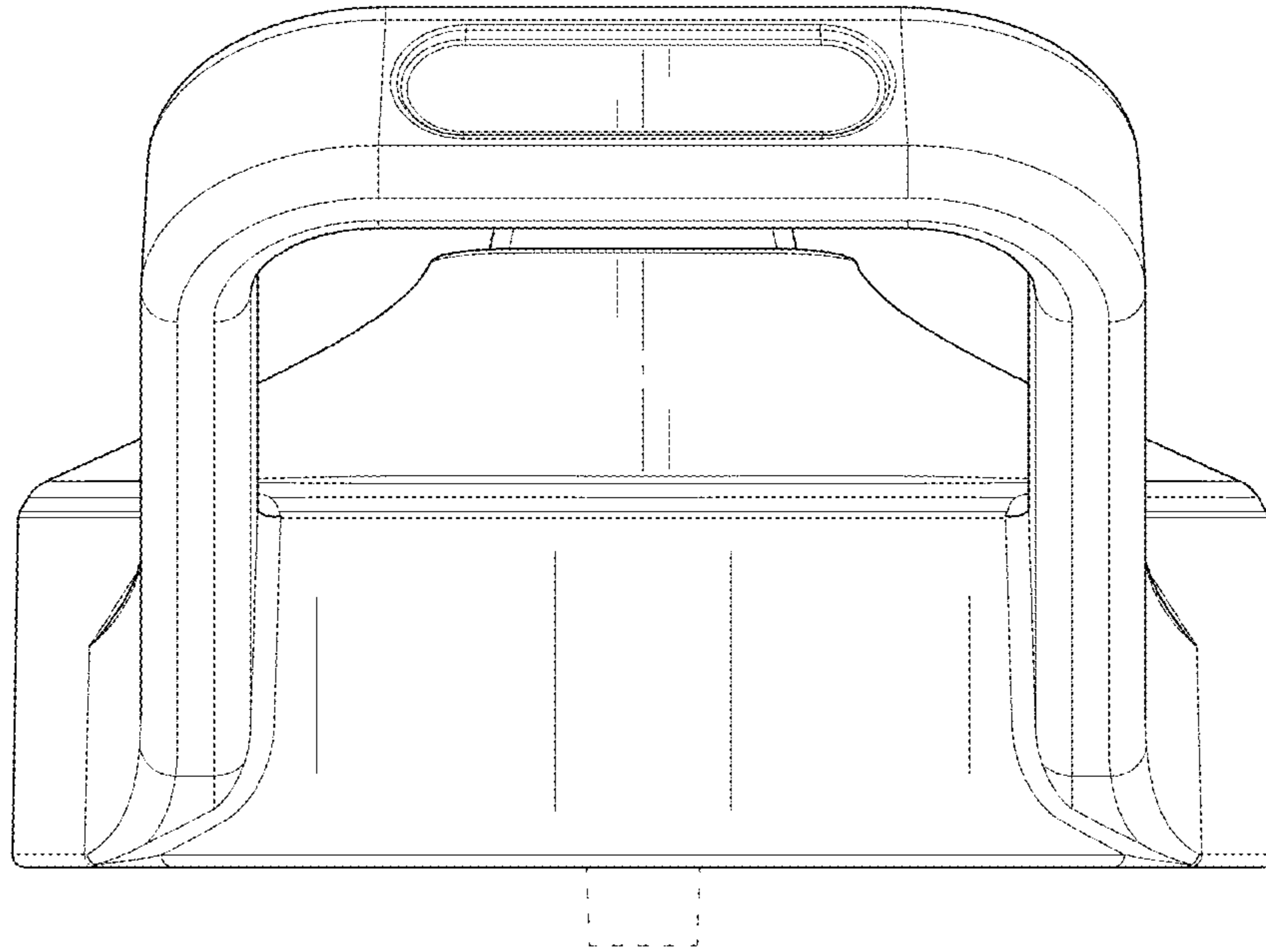


FIG.4

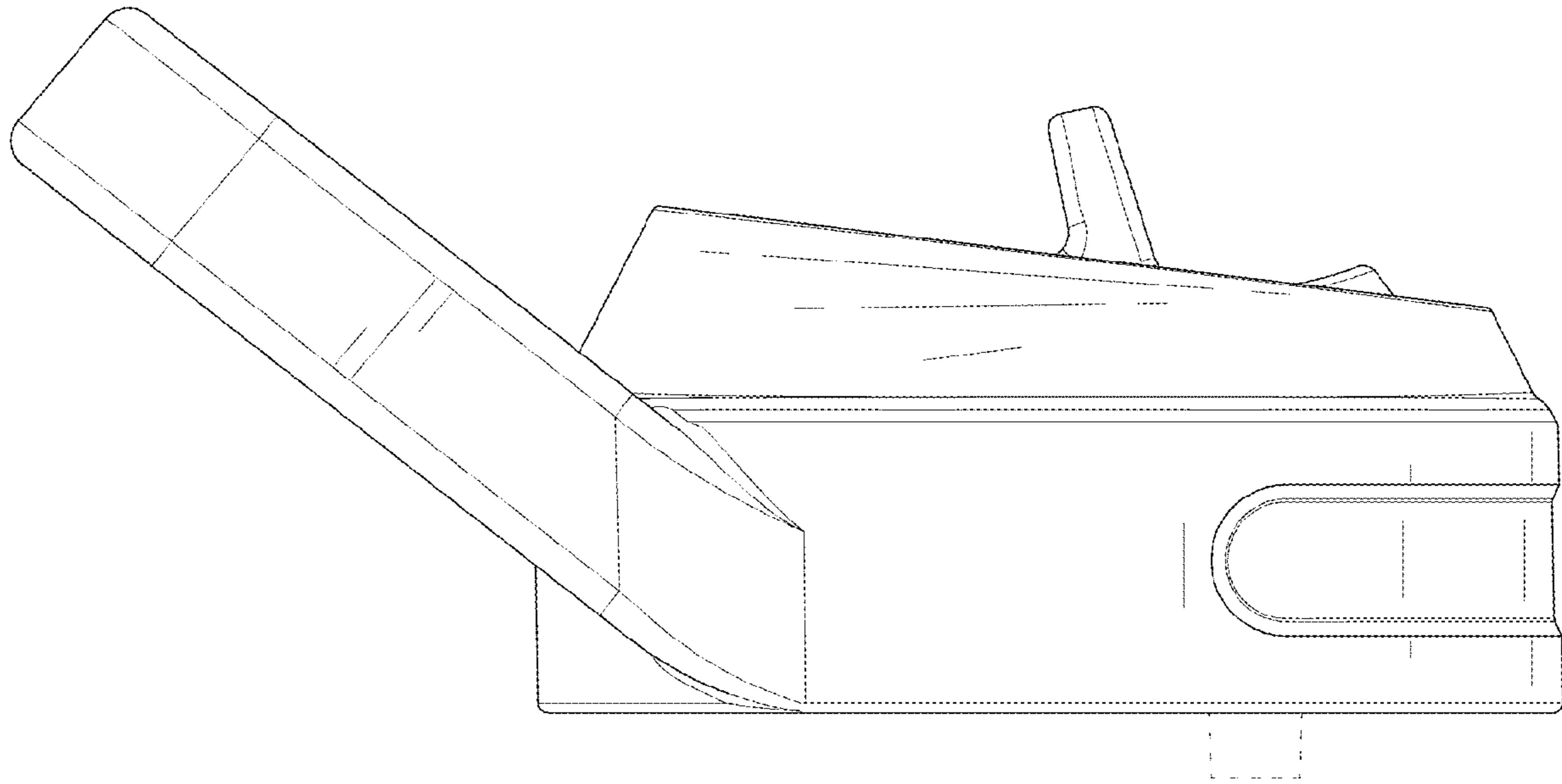


FIG.5

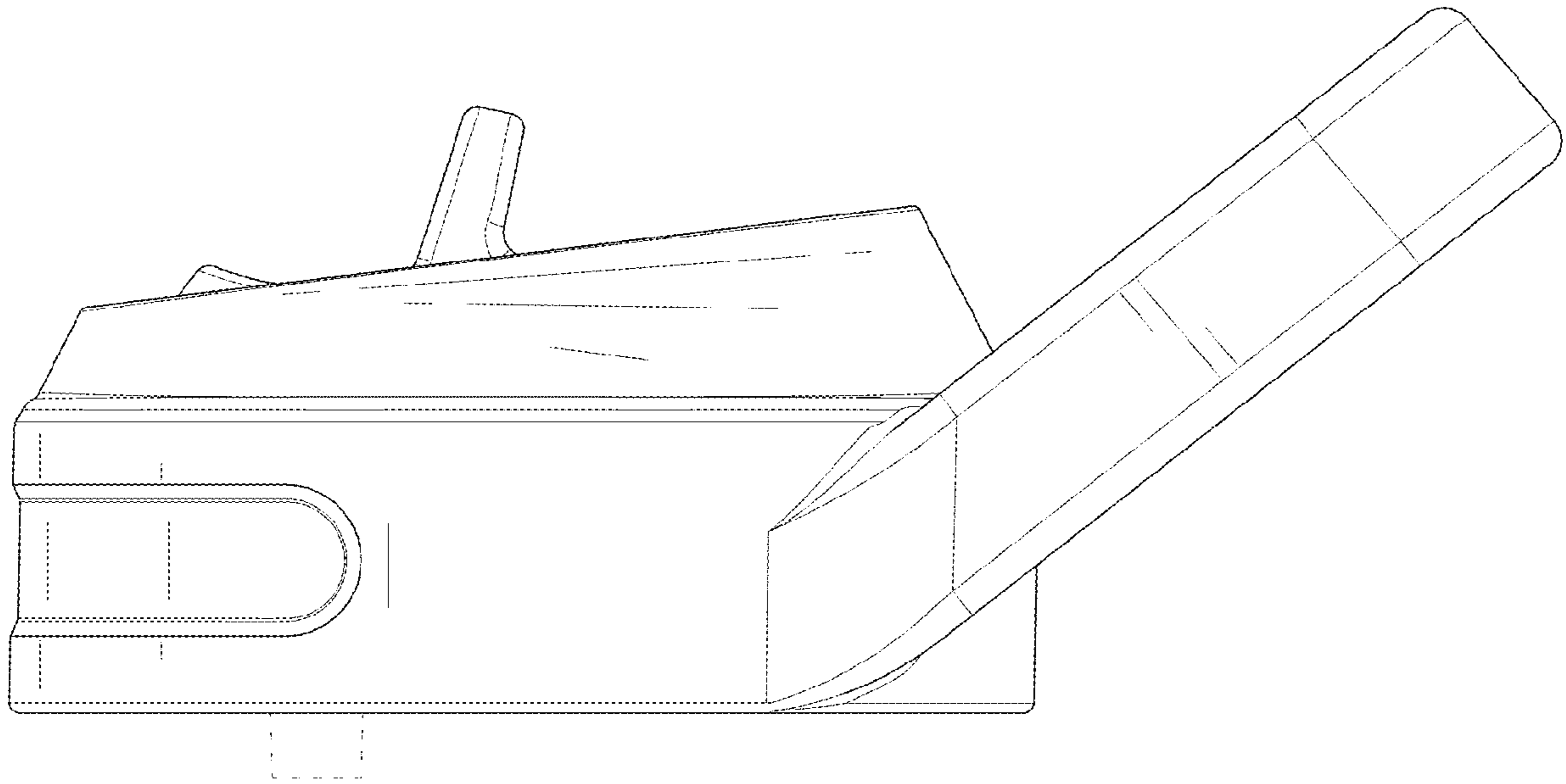


FIG.6



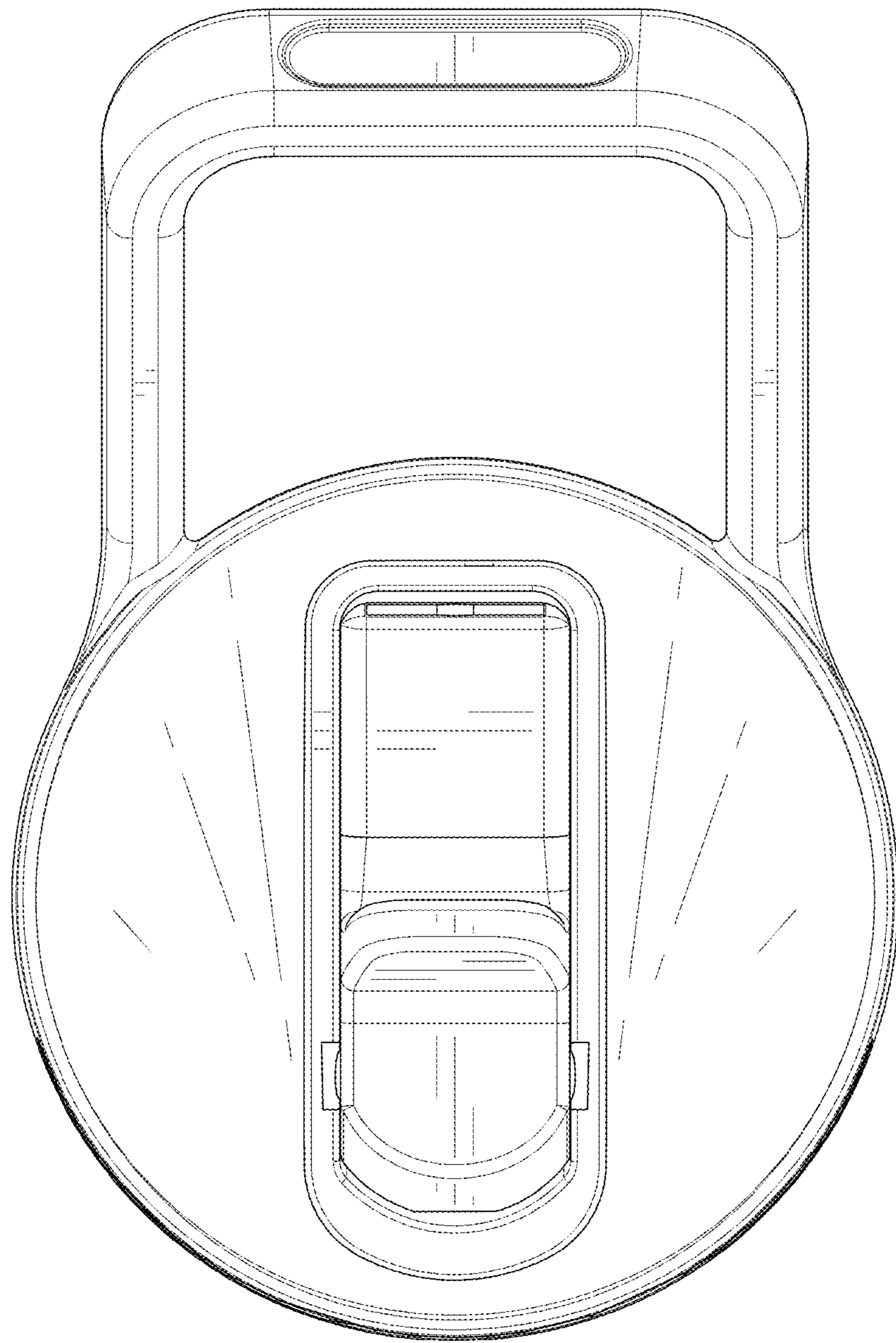


FIG. 7

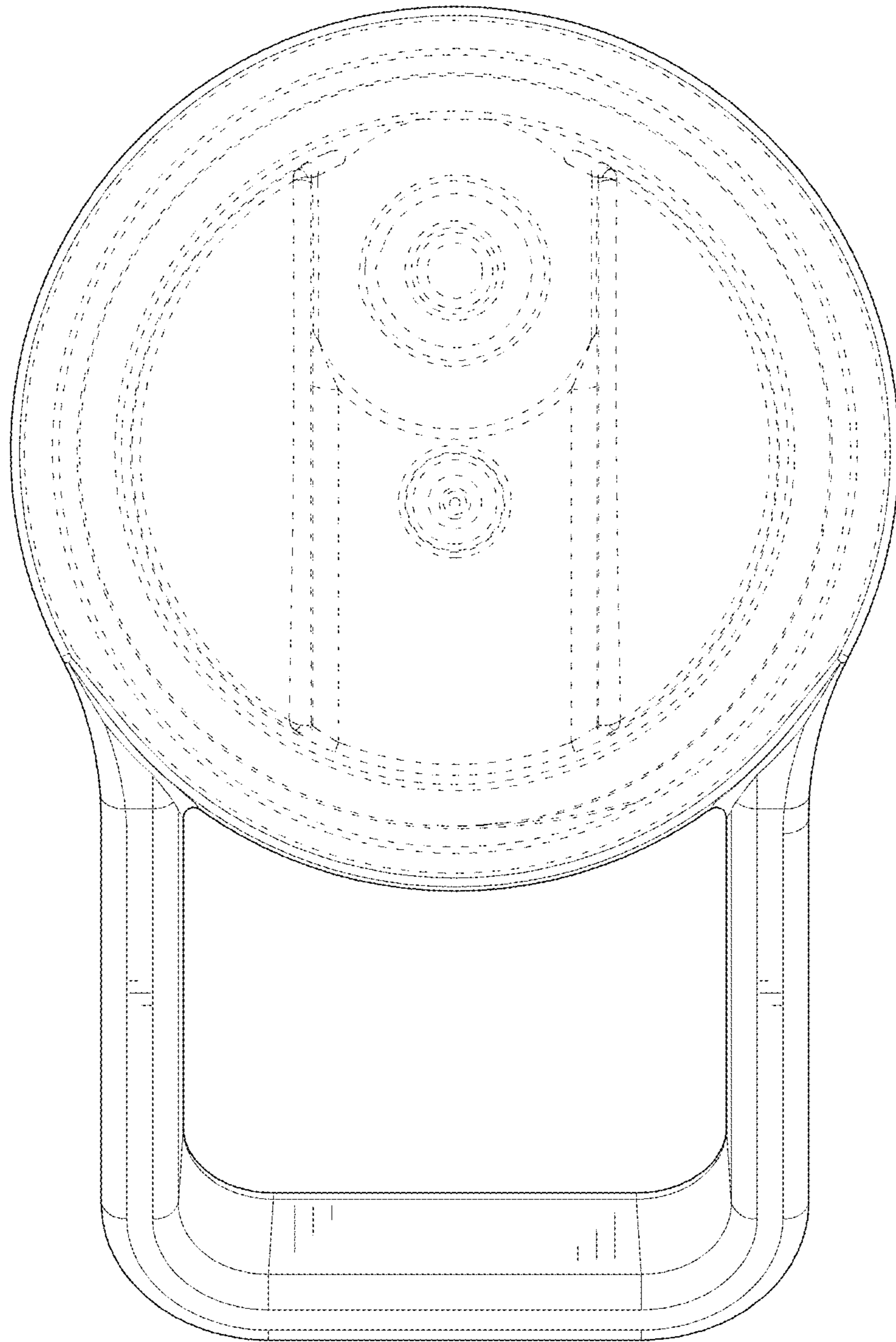


FIG. 8