



US00D935264S

(12) **United States Design Patent**  
**Kutlug**

(10) **Patent No.:** **US D935,264 S**

(45) **Date of Patent:** **\*\* \*Nov. 9, 2021**

(54) **WATER BOTTLE STRAW LID**

(71) Applicant: **Adam Kutlug**, Irvine, CA (US)

(72) Inventor: **Adam Kutlug**, Irvine, CA (US)

(\*) Notice: This patent is subject to a terminal disclaimer.

(\*\*) Term: **15 Years**

(21) Appl. No.: **29/747,955**

(22) Filed: **Aug. 26, 2020**

(51) **LOC (13) Cl.** ..... **07-99**

(52) **U.S. Cl.**  
USPC ..... **D7/392.1**

(58) **Field of Classification Search**

USPC .... D6/515, 542; D7/391, 392, 392.1, 396.1, D7/396.2, 397, 398; D9/434, 435, 436, D9/439, 440, 447, 448, 449, 450, 452, D9/454, 682, 685, 686, 688, 690, 723, D9/729, 503, 504, 505, 516, 529, 548, D9/549

CPC ..... B65D 47/065; B65D 47/066; B65D 1/46; B65D 41/00; B65D 41/38; B65D 41/56; B65D 41/63; B65D 47/00; B65D 47/06; B65D 47/08; B65D 2251/00; B65D 85/804; B65D 25/082; A47G 19/2205; A47G 19/2222; A45F 3/16; A45F 3/20; B67D 7/06; B67D 7/0004; A61J 1/00; A61J 1/1412; A47J 31/407

See application file for complete search history.

(56) **References Cited**

**U.S. PATENT DOCUMENTS**

D338,714 S	8/1993	Oliphant et al.
D547,607 S	7/2007	Forsman
D579,720 S	11/2008	Rohe
D591,108 S	4/2009	Pesach et al.
D596,459 S	7/2009	Ghiassi
D629,644 S	12/2010	Zhuang et al.
D704,986 S	5/2014	Manies
D720,218 S	12/2014	Hutson et al.

D734,151 S	7/2015	Herbst
D768,439 S	10/2016	Shin et al.
D786,012 S	5/2017	Hein et al.
D799,320 S	10/2017	Goodwin et al.
9,776,777 B2	10/2017	Gorbald
D806,468 S	1/2018	Goodwin et al.
D811,162 S	2/2018	Rane et al.
D812,966 S	3/2018	Murosky et al.
10,016,079 B2	7/2018	Chiang et al.
D828,723 S	9/2018	Gauss

(Continued)

**OTHER PUBLICATIONS**

Life Factory Pivot Straw Cap: Announced Mar. 24, 2020 [online]. Site Visited [Mar. 23, 2021]. Available from Internet URL: [https://www.amazon.com/Lifefactory-Accessory-12-Ounce-16-Ounce-22-Ounce/dp/B083TNBNHG/ref=pd\\_sbs\\_6?pd\\_rd\\_w=jbm8G&pf\\_rd\\_p=527ea27%E2%80%A6](https://www.amazon.com/Lifefactory-Accessory-12-Ounce-16-Ounce-22-Ounce/dp/B083TNBNHG/ref=pd_sbs_6?pd_rd_w=jbm8G&pf_rd_p=527ea27%E2%80%A6).\*

*Primary Examiner* — Catherine S Posthauer

(74) *Attorney, Agent, or Firm* — Alexander Chen, Esq.

(57) **CLAIM**

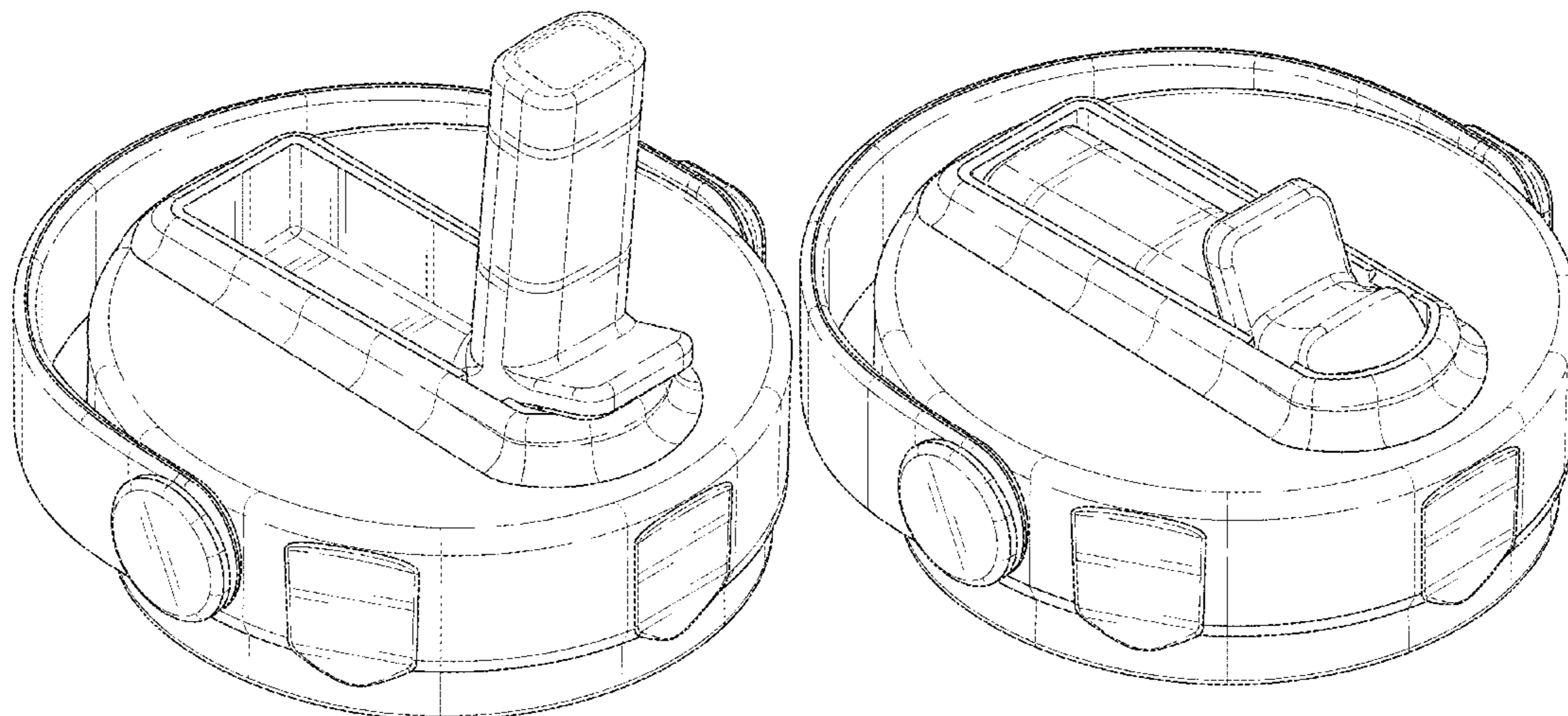
The ornamental design for a water bottle straw lid, as shown and described.

**DESCRIPTION**

FIG. 1 is a perspective view of a water bottle straw lid, showing my new design, showing the handle feature in a horizontal position of use;  
FIG. 2 is a perspective view thereof, showing the straw in a closed position of use;  
FIG. 3 is a side view thereof, showing the handle feature in a vertical position of use;  
FIG. 4 is a side view thereof;  
FIG. 5 is a top view thereof;  
FIG. 6 is a bottom view thereof;  
FIG. 7 is a front view thereof; and,  
FIG. 8 is a back view thereof.

The broken lines are shown for the purpose of illustrating parts of the article that form no part of the claimed design.

**1 Claim, 8 Drawing Sheets**



(56)

## References Cited

## U.S. PATENT DOCUMENTS

D835,938	S	12/2018	Zou et al.	
D857,446	S	8/2019	Bell et al.	
D862,985	S	10/2019	Backs	
D867,812	S	11/2019	Lane et al.	
D868,534	S	12/2019	Lin	
D870,508	S	12/2019	Palkon	
D870,509	S	12/2019	Bo	
D871,144	S	12/2019	Bo	
D872,522	S	1/2020	Diener et al.	
D872,524	S	1/2020	Bo	
D873,613	S	1/2020	Tobias	
D885,120	S	5/2020	Yao	
D885,838	S	6/2020	Tobias	
D886,517	S	6/2020	Bo	
D887,773	S	6/2020	Fourie	
D887,776	S	6/2020	Bo	
D887,781	S	6/2020	Bergstrom	
D889,193	S	7/2020	Alles	
D893,245	S *	8/2020	Zhang .....	D7/392.1
D893,940	S	8/2020	Breit et al.	
D894,671	S *	9/2020	Huang .....	D7/392.1
D894,672	S *	9/2020	Huang .....	D7/392.1
D896,574	S *	9/2020	Wang .....	D7/392.1
D897,146	S *	9/2020	Lane .....	D7/392
D897,760	S *	10/2020	Feng .....	D7/392.1
D897,761	S *	10/2020	Zhang .....	D7/392.1
D899,848	S *	10/2020	Zhang .....	D7/392.1
D900,538	S *	11/2020	Yao .....	D7/392.1
D900,539	S *	11/2020	Yao .....	D7/392.1
D903,405	S *	12/2020	Zhang .....	D7/392.1
D904,109	S *	12/2020	Yao .....	D7/392.1
D905,498	S *	12/2020	Zhang .....	D7/392.1
D905,499	S *	12/2020	Zhang .....	D7/392.1
D906,042	S *	12/2020	Chen .....	D7/392.1
D911,100	S *	2/2021	Chen .....	D7/392.1

\* cited by examiner

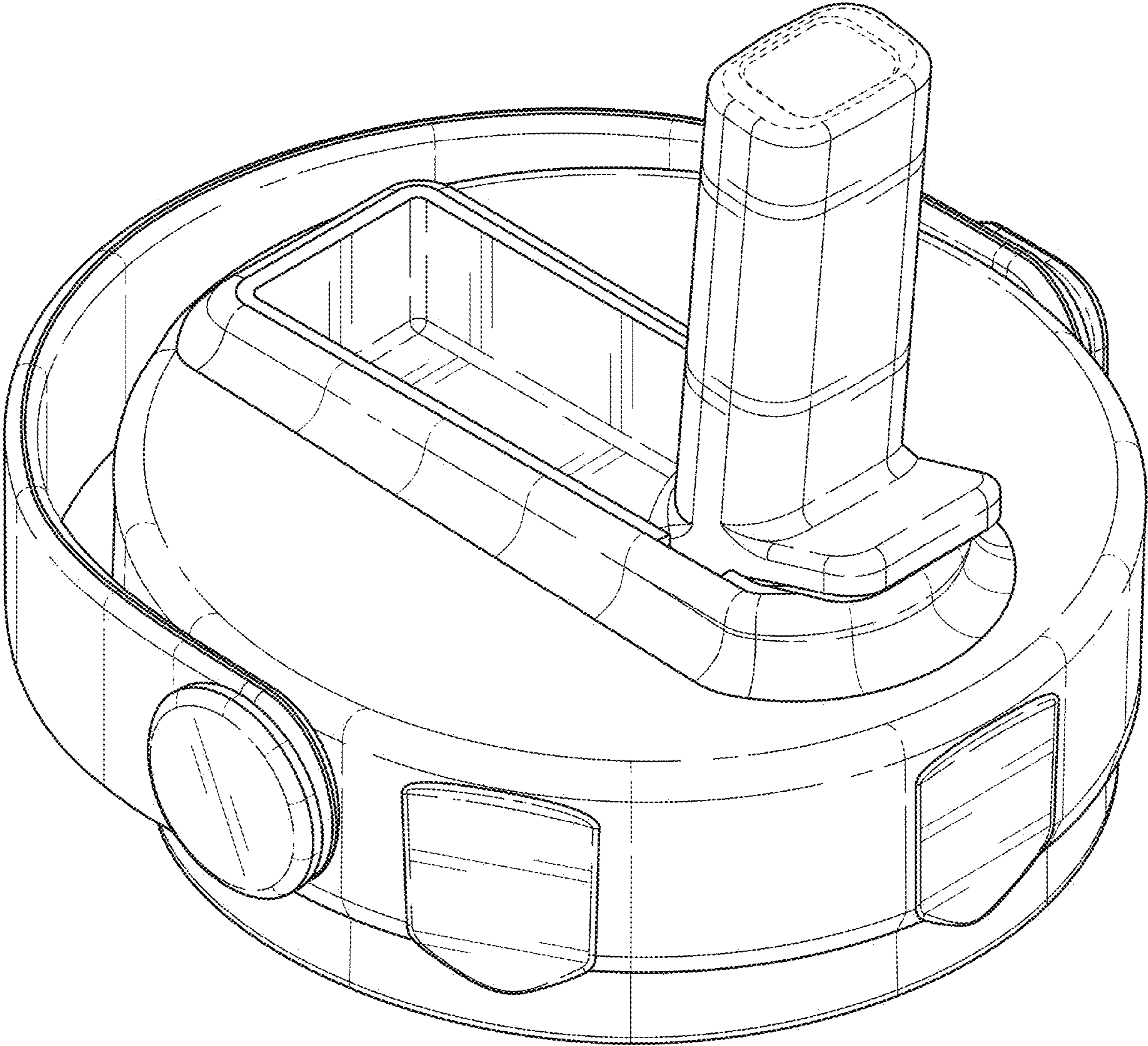


FIG. 1

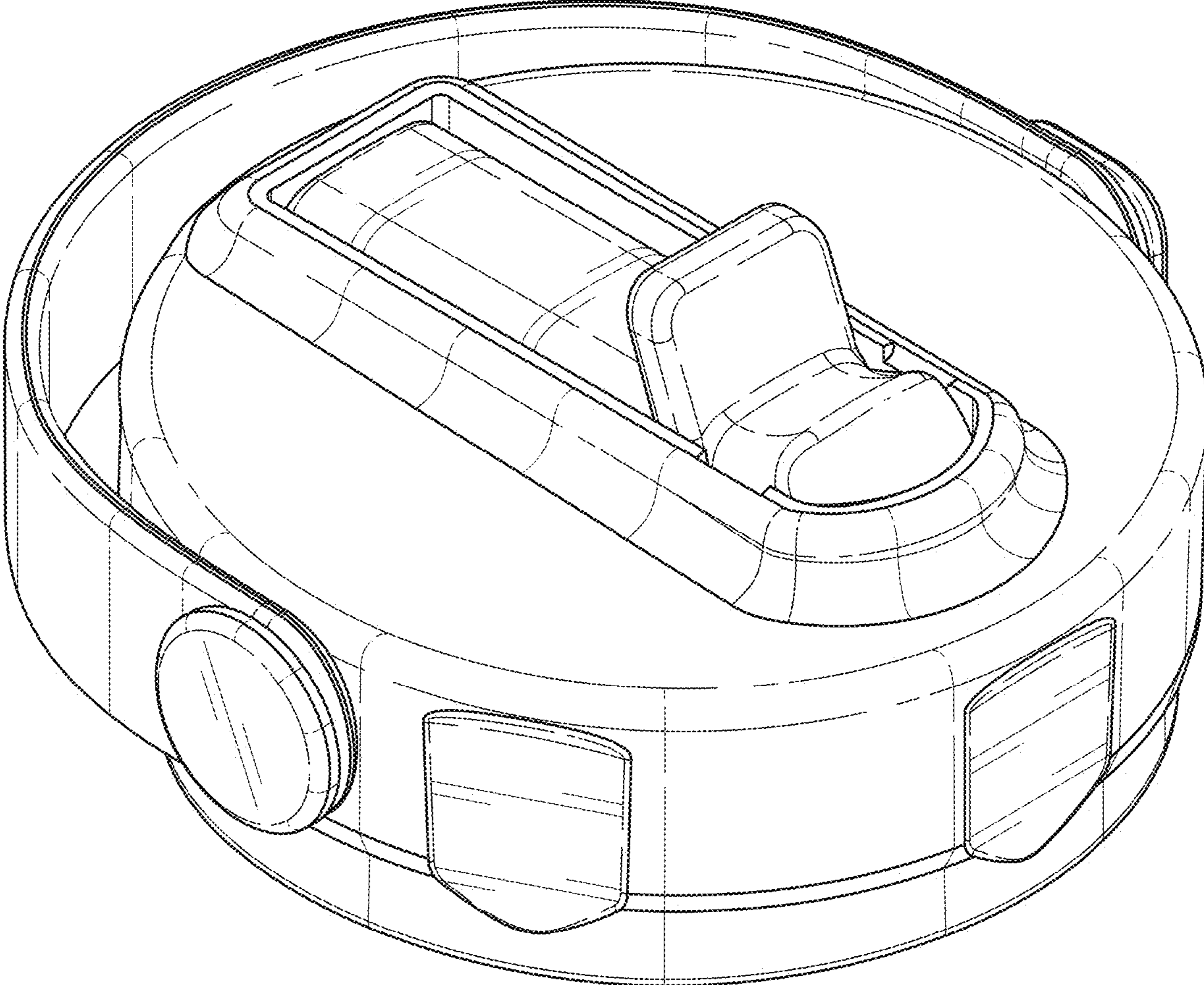


FIG. 2

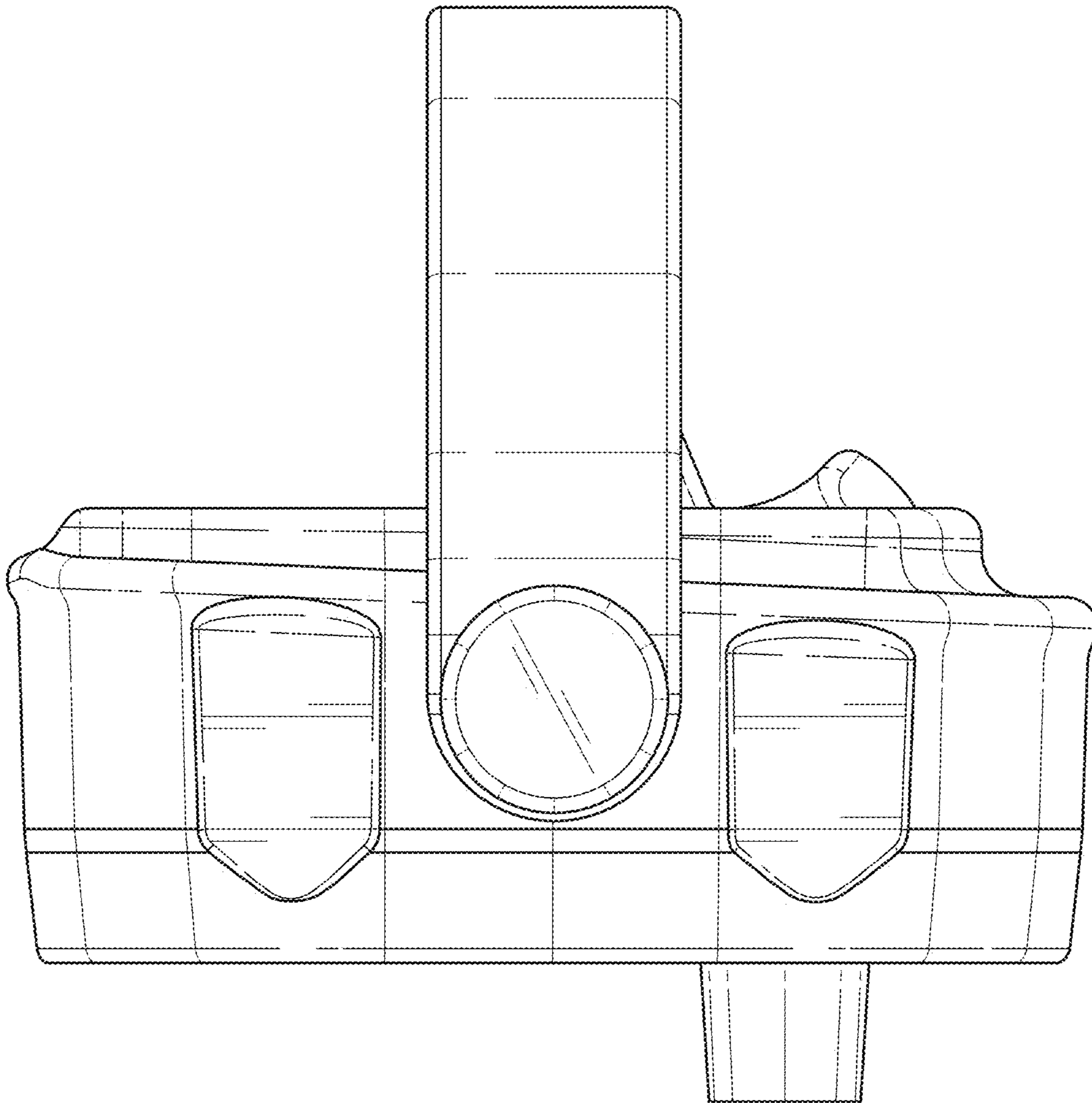


FIG. 3

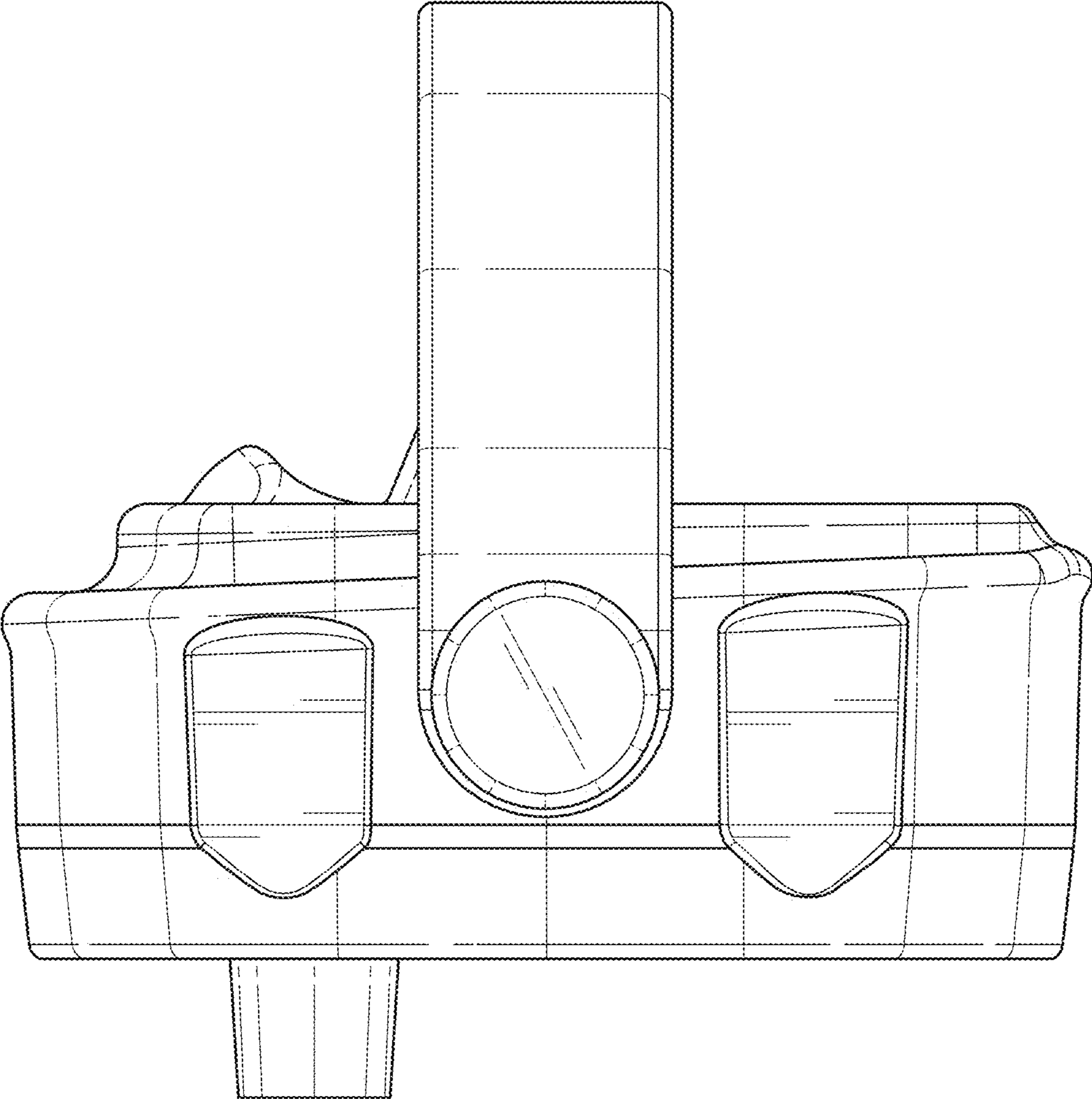


FIG. 4

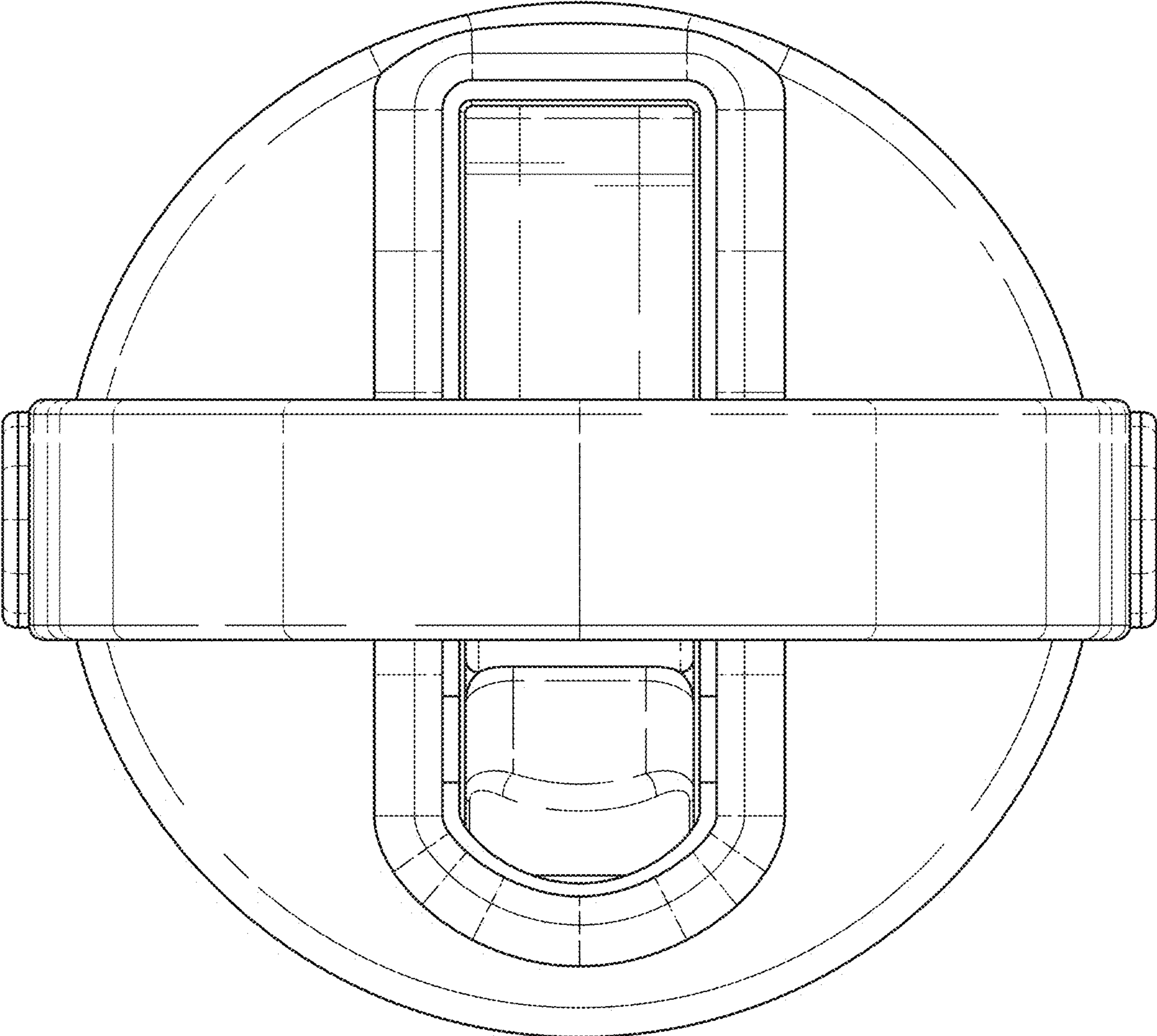


FIG. 5

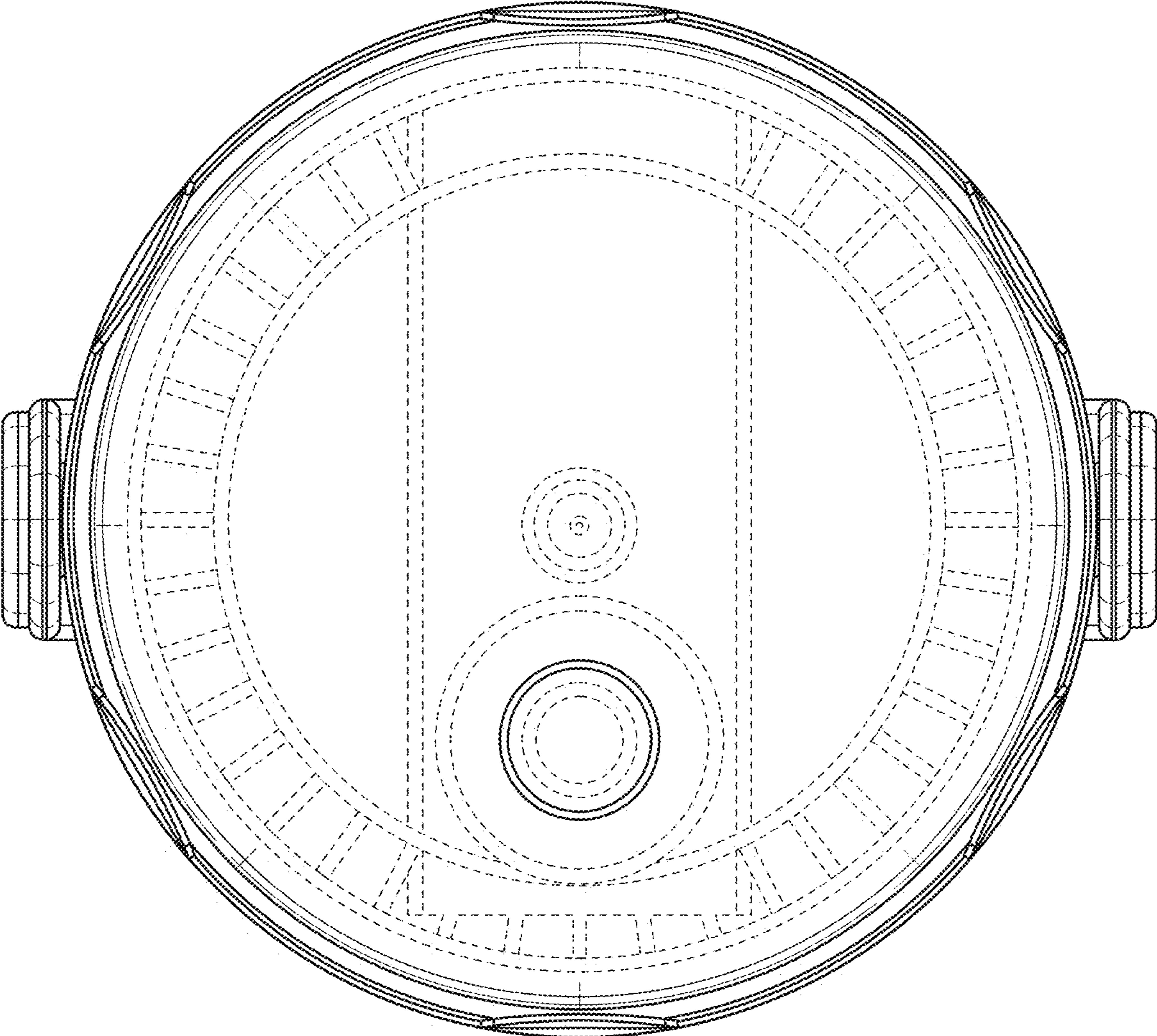


FIG. 6



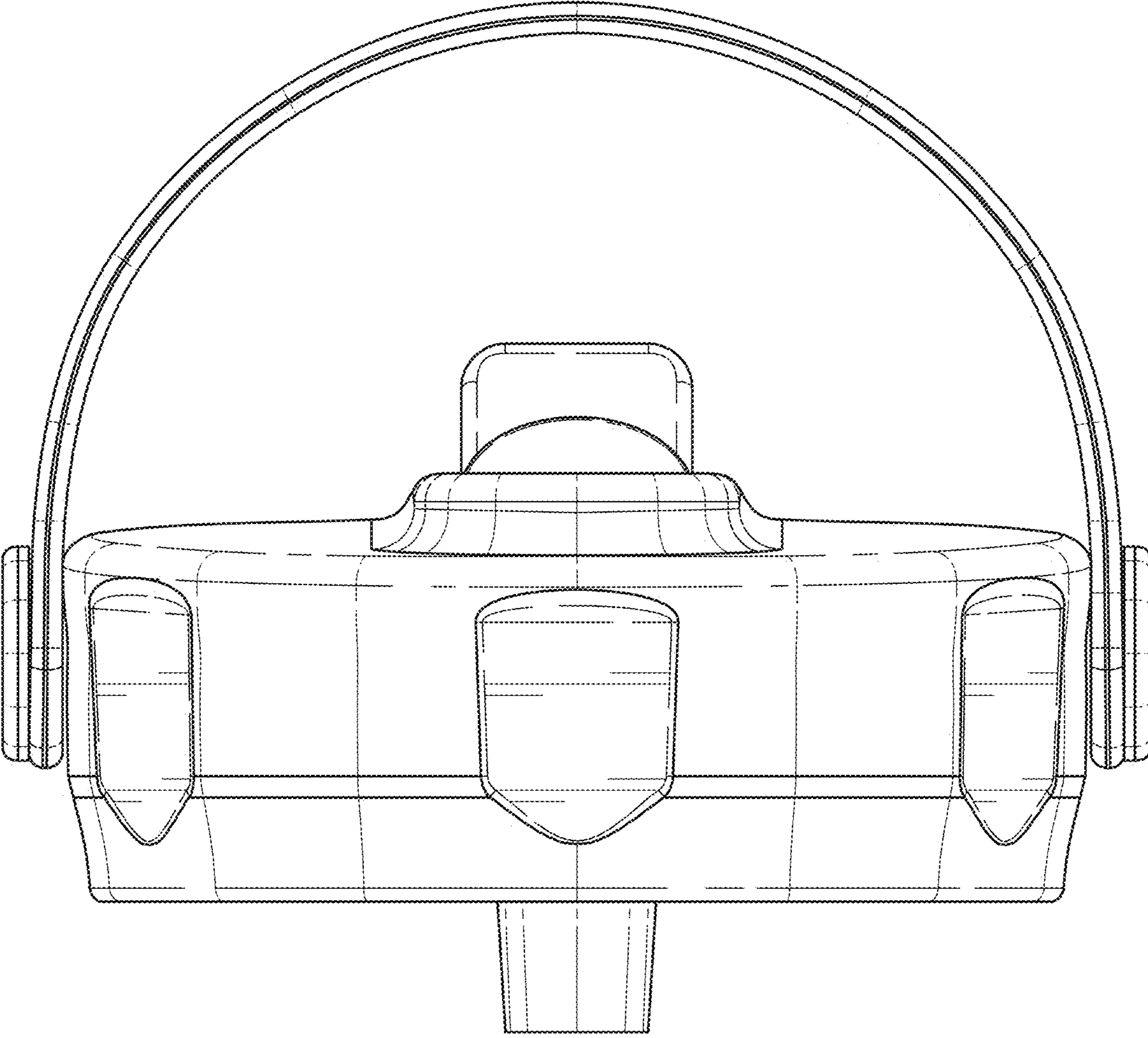


FIG. 7

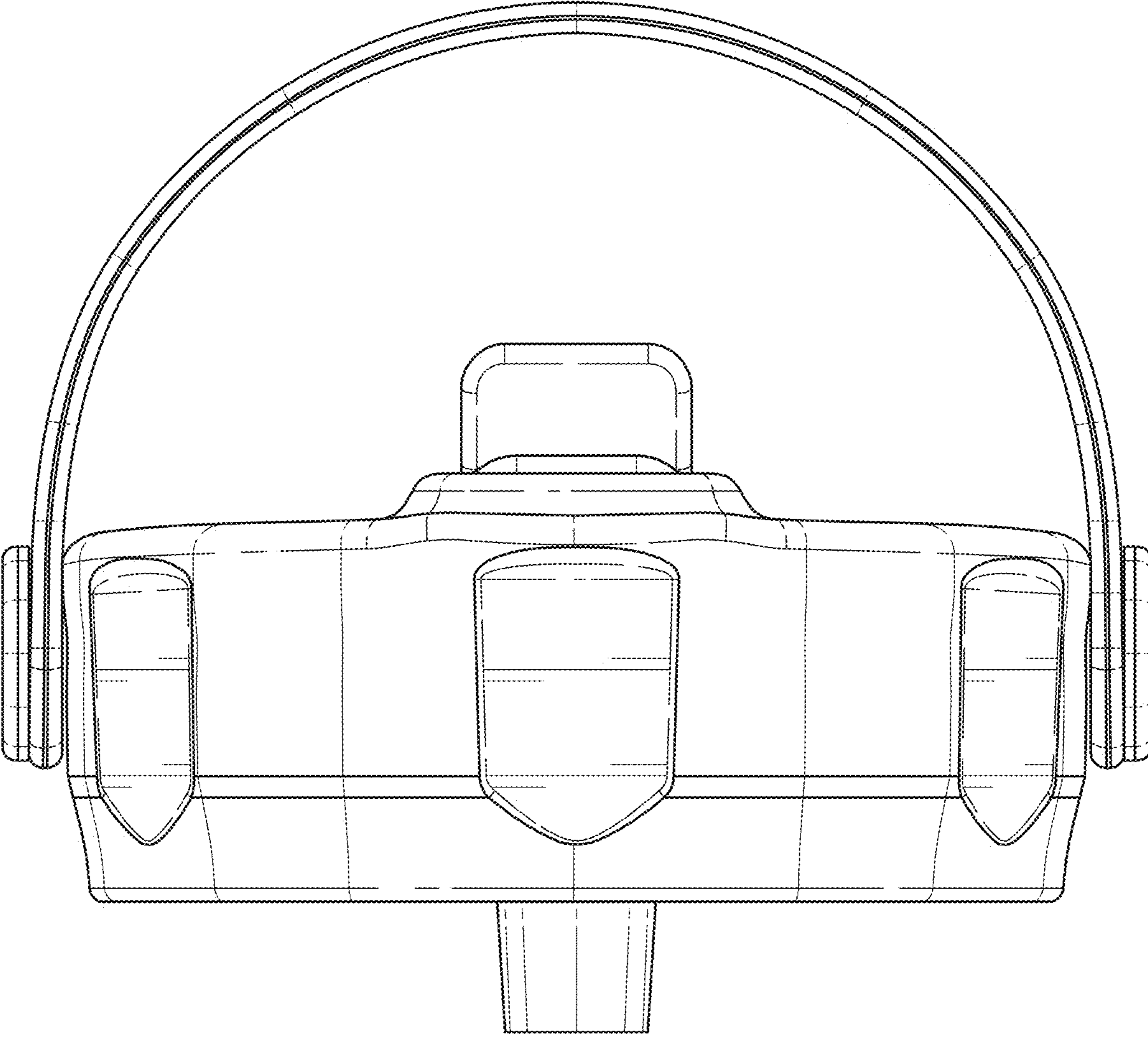


FIG. 8