



US00D935263S

(12) **United States Design Patent** (10) **Patent No.:** **US D935,263 S**
Zhang (45) **Date of Patent:** **** *Nov. 9, 2021**

(54) **SQUARE LID WITH VENT FOR FOOD CONTAINER**

(71) Applicant: **Shijiazhuang FAR EAST Import and Export Trading Co., Ltd.,**
Shijiazhuang (CN)

(72) Inventor: **Jianzhong Zhang,** Handan (CN)

(73) Assignee: **Shijiazhuang FAR EAST Import and Export Trading Co. Ltd.,** Shijiazhuang (CN)

(*) Notice: This patent is subject to a terminal disclaimer.

(**) Term: **15 Years**

(21) Appl. No.: **29/558,410**

(22) Filed: **Mar. 17, 2016**

(51) **LOC (13) Cl.** **07-01**

(52) **U.S. Cl.**
USPC **D7/392.1**

(58) **Field of Classification Search**
USPC D7/354, 360, 391, 392, 392.1, 396.1,
D7/511, 538, 542, 602, 629, 705;
D9/424, 430, 435, 443, 452, 454
CPC B65D 2543/00712; B65D 45/16
See application file for complete search history.

(56) **References Cited**

U.S. PATENT DOCUMENTS

- 6,793,096 B1 * 9/2004 Seok B65D 43/0218
220/326
- D499,931 S * 12/2004 Kim D7/392.1
- D536,571 S * 2/2007 Kim D7/391
- D537,293 S * 2/2007 Ho D7/392.1
- D590,666 S * 4/2009 Wang D7/629
- D675,057 S * 1/2013 Harvey D7/391
- D704,503 S * 5/2014 Manley D7/391

- D770,847 S * 11/2016 Stamper D7/392
- 9,648,669 B2 * 5/2017 Lindsay A47J 36/10
- 2004/0084464 A1 * 5/2004 Koo B65D 43/0218
220/784
- 2008/0110911 A1 * 5/2008 Chen B65D 81/2038
220/788
- 2009/0321462 A1 * 12/2009 Hui B65D 43/021
220/780
- 2014/0217101 A1 * 8/2014 Wang B65D 45/00
220/324

OTHER PUBLICATIONS

“Vremi 18pc Glass Food Storage Containers with Locking Lids”. Found online Jul. 6, 2017 at amazon.com. Page dated Sep. 26, 2016. Retrieved from https://www.amazon.com/...TF8&pd_rd_i=B01LYMUSOF&pd_rd_r=R6B6Z9SC9AENMKN23DMS&pd_rd_w=925r3&pd_rd_wg=DadFT&psc=1&refRID=R6B6Z9SC9AENMKN23DMS.*

“Alibaba Food Grade Vacuum Air Vent Microwave Food Container”. Found online Jun. 30, 2017 at alibaba.com. Page dated Feb. 4, 2015. Retrieved from https://www.alibaba.com/product-detail/Food-Grade-Vacuum-Air-Vent-Microwave_60314423709.html.*

(Continued)

Primary Examiner — Kendra Leslie Hamilton

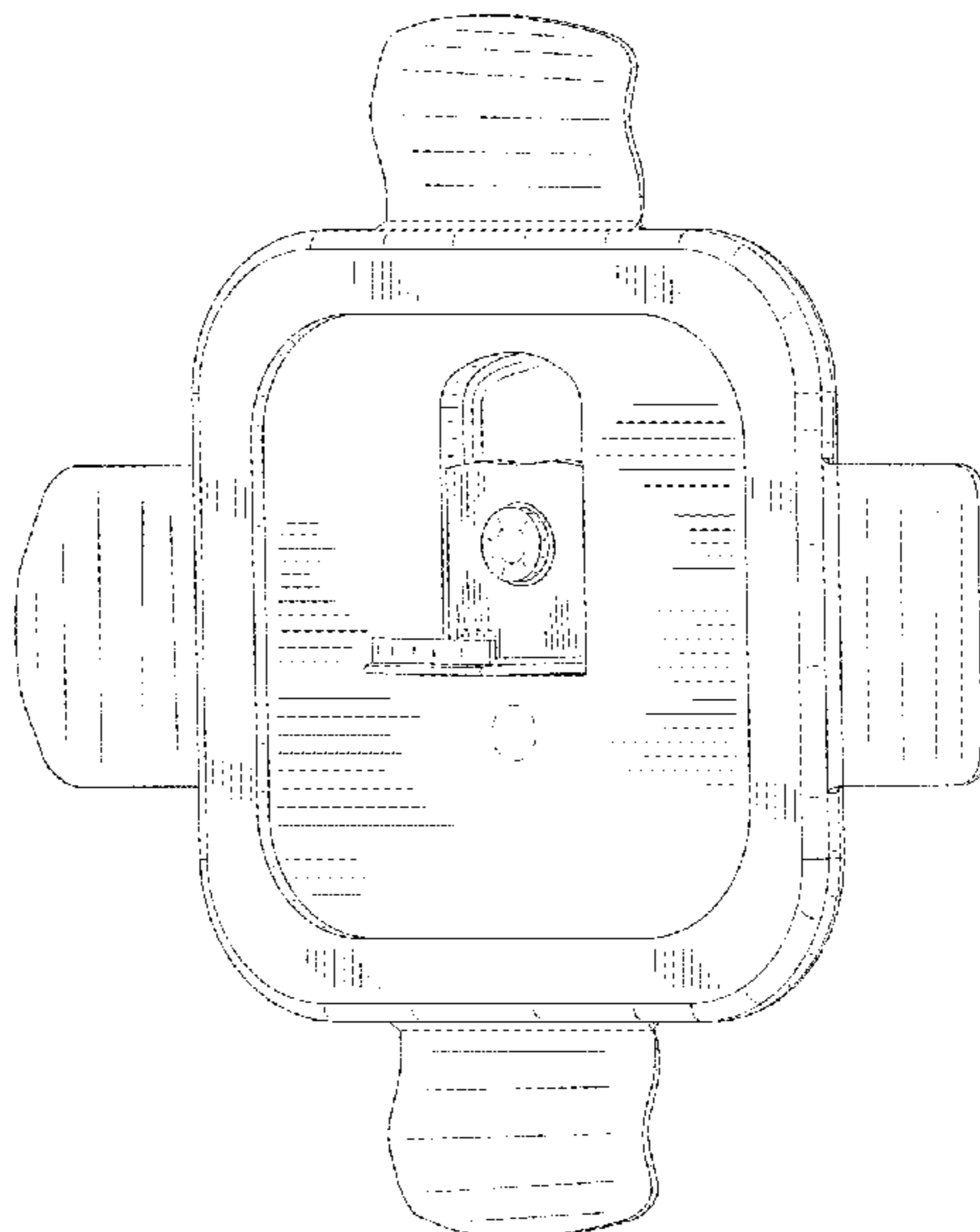
(57) **CLAIM**

The ornamental design for a square lid with vent for food container, as shown and described.

DESCRIPTION

FIG. 1 is a top plan view of a square lid with vent for food container showing my new design;
 FIG. 2 is a bottom plan view thereof;
 FIG. 3 is a right side elevation view thereof;
 FIG. 4 is a left side elevation view thereof;
 FIG. 5 is a rear elevation view thereof;
 FIG. 6 is a front elevation view thereof; and,
 FIG. 7 is a top, front perspective view thereof.

1 Claim, 7 Drawing Sheets



(56)

References Cited

OTHER PUBLICATIONS

“Imperial Home 24pc Food Storage Container Set”. Found online Jun. 30, 2017 at amazon.com. Page dated Aug. 12, 2013. Retrieved from https://www.amazon.com/Piece-Food-Storage-Container-Set/dp/B00BI3DVY0/ref=cm_cr_ar_p_d_product_top?ie=UTF8.*

“Best Storage Containers: For Wet or Dry Foods”. Found online Jul. 6, 2017 at goodhousekeeping.com. Page dated Oct. 7, 2009. Retrieved from <http://www.goodhousekeeping.com/cooking-tools/food-storage-container-reviews/g2215/food-storage-containers/?slide=9>.*

* cited by examiner

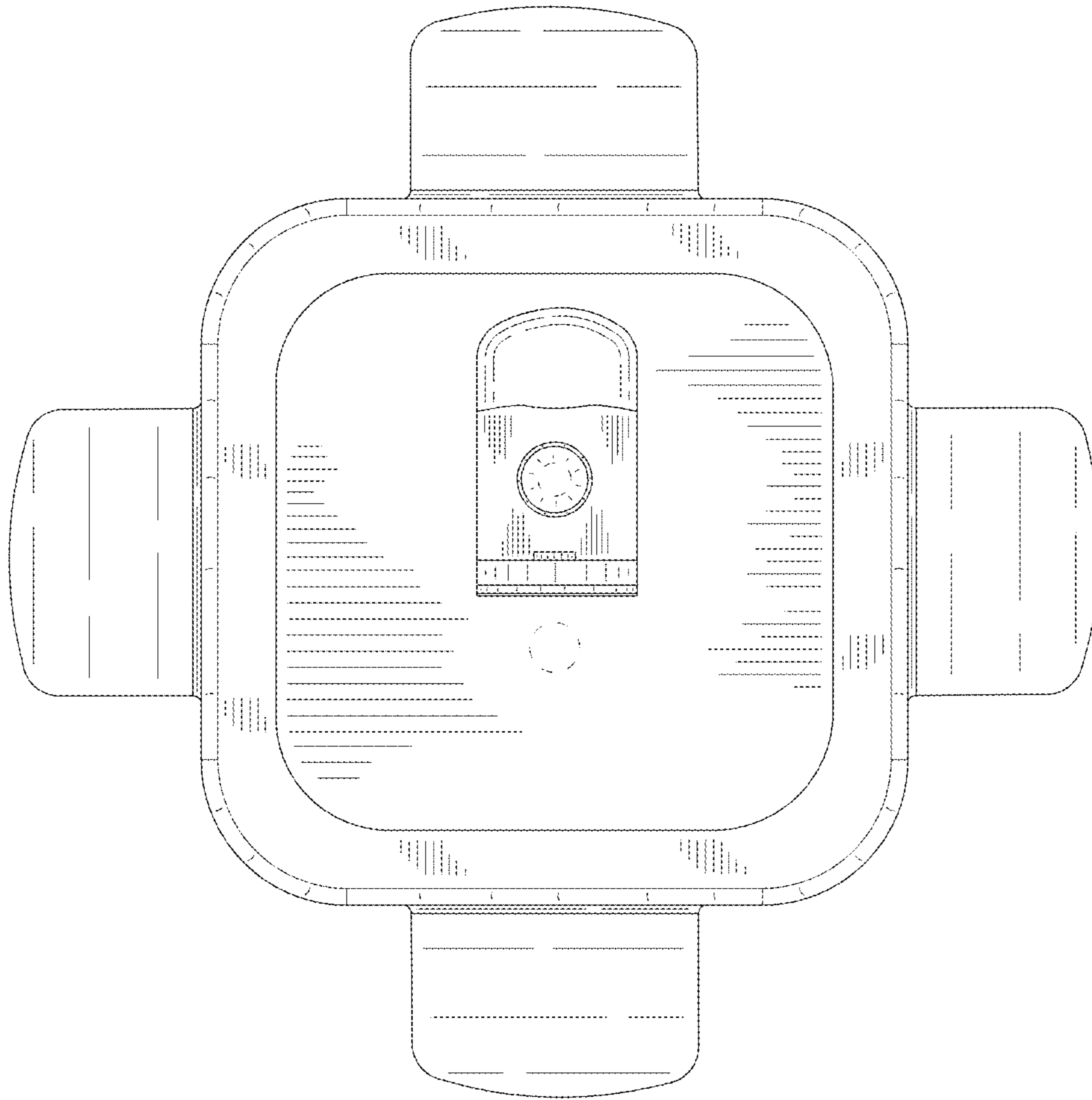


FIG. 1

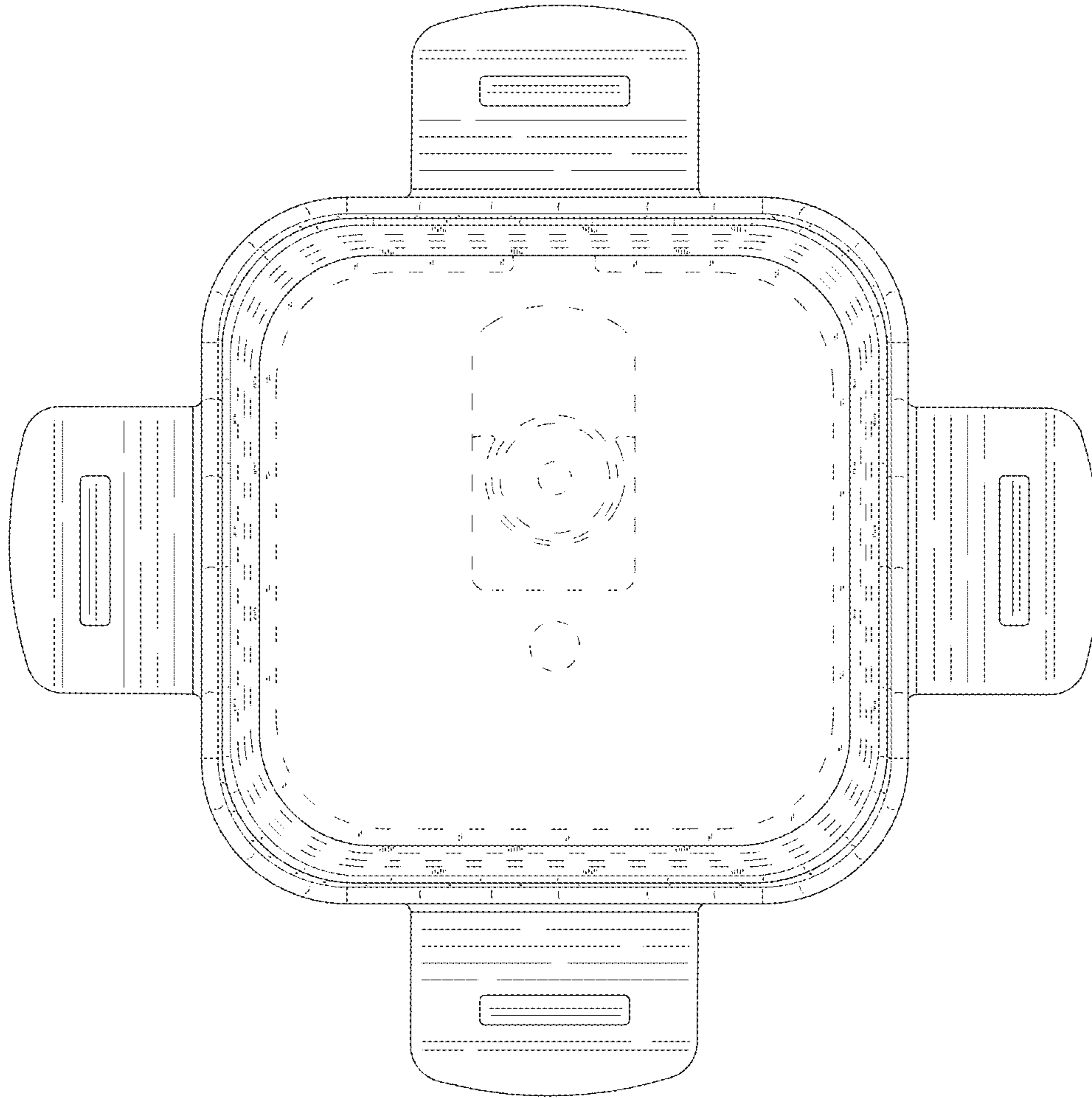


FIG. 2

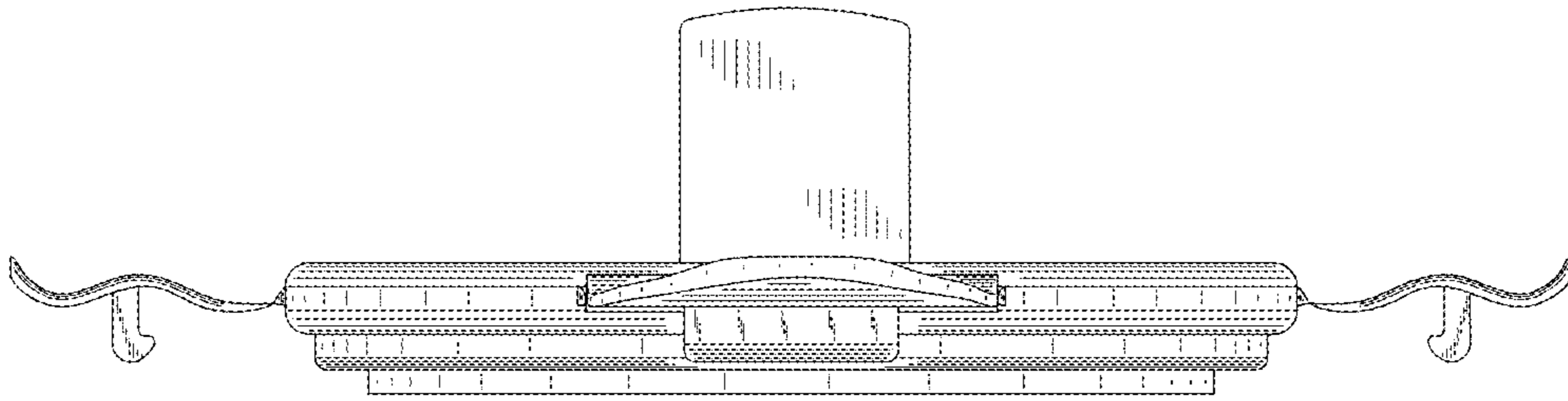


FIG. 3

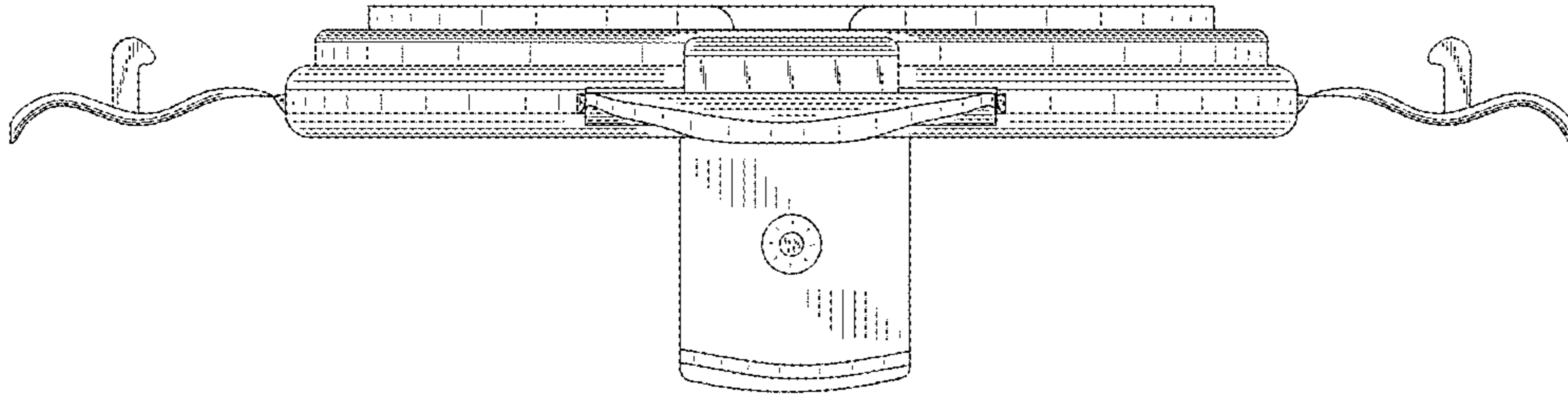


FIG. 4

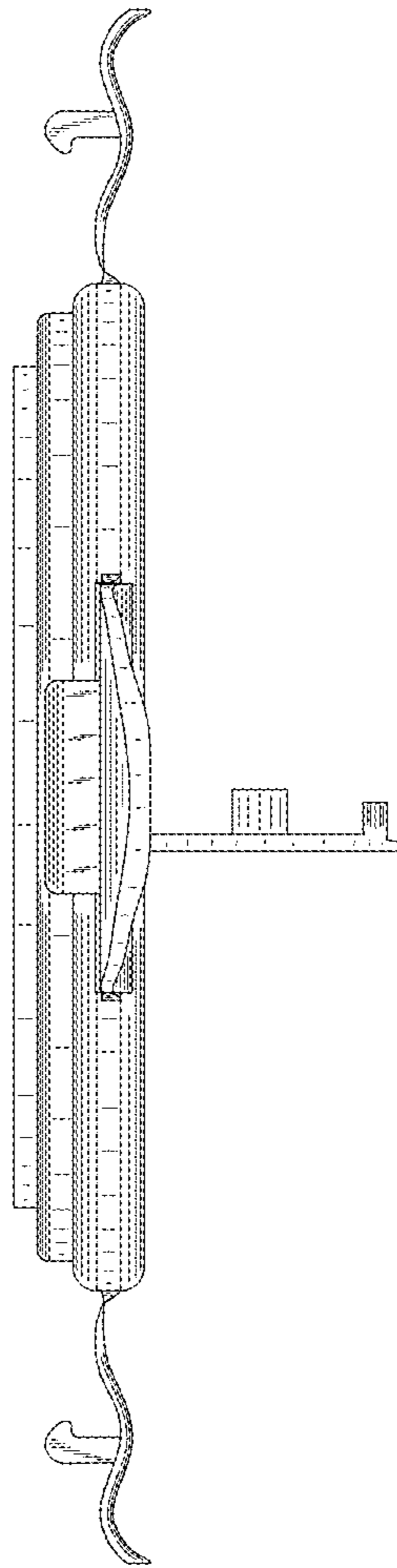


FIG. 5

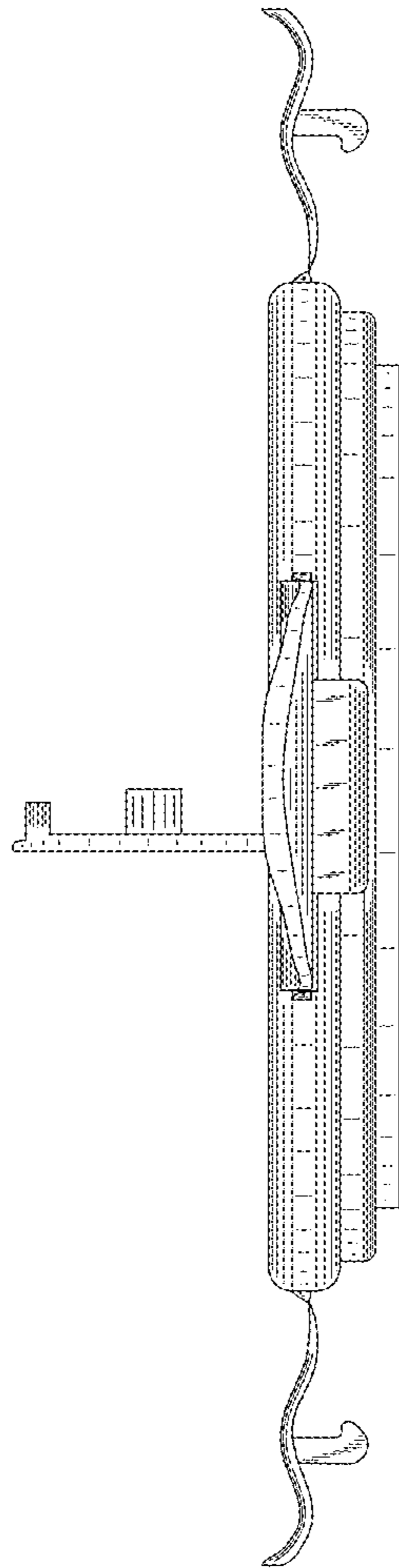


FIG. 6

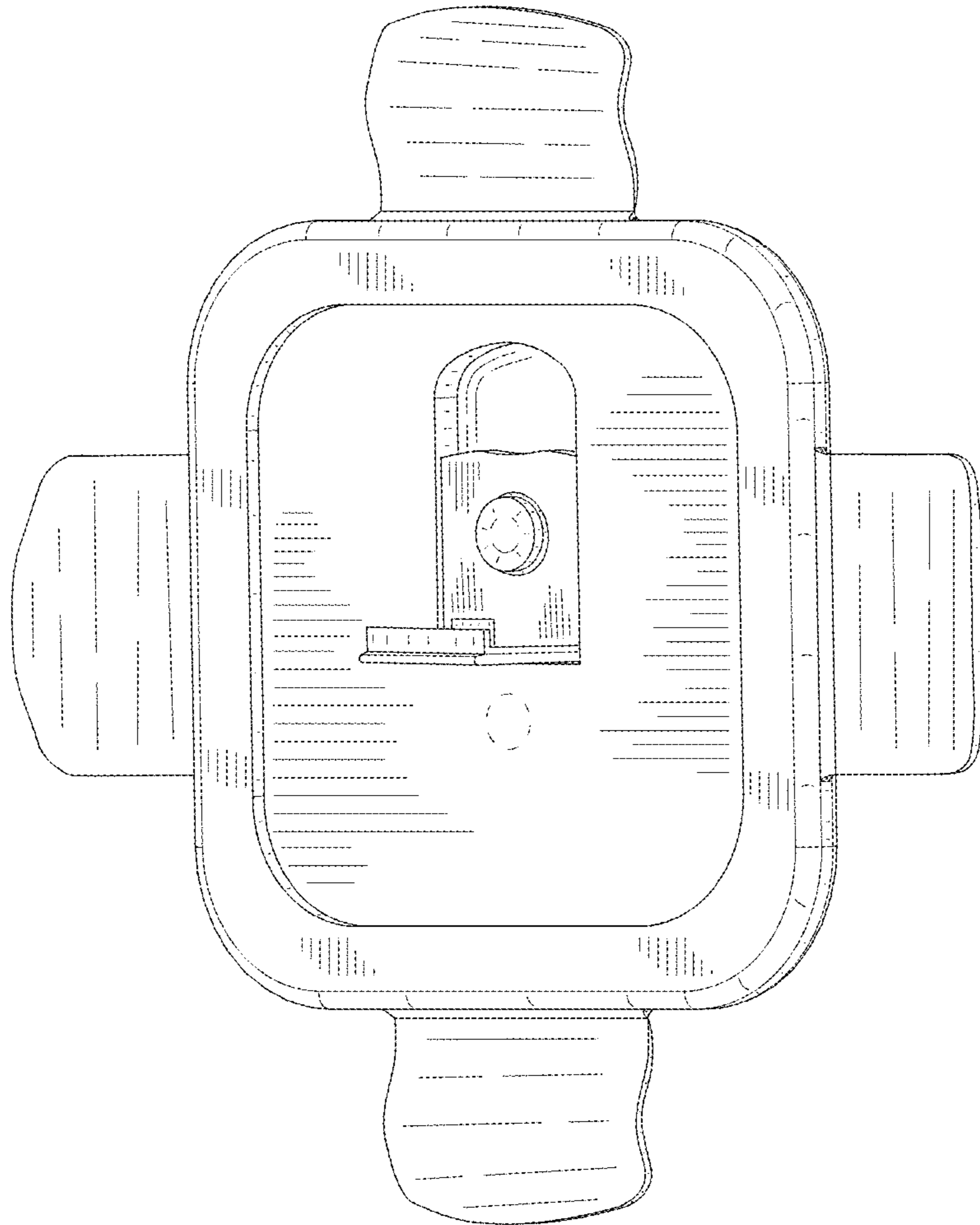


FIG. 7