

US00D935262S

(12) **United States Design Patent** (10) **Patent No.:** **US D935,262 S**
Ye (45) **Date of Patent:** **** Nov. 9, 2021**

(54) **KITCHEN MACHINE**

(71) Applicants: **Xiushan Ye**, Guanzhou (CN);
Guangzhou Shengwei Electric Manufacturing Co., Ltd., Guanzhou (CN)

(72) Inventor: **Xiushan Ye**, Guanzhou (CN)

(73) Assignees: **Xiushan Ye**, Guanzhou (CN);
GUANGZHOU SHENGWEI ELECTRIC MANUFACTURING CO., LTD., Guanzhou (CN)

(**) Term: **15 Years**

(21) Appl. No.: **29/773,272**

(22) Filed: **Mar. 9, 2021**

(51) **LOC (13) Cl.** **31-00**

(52) **U.S. Cl.**
USPC **D7/384**; D7/376; D7/378; D7/386

(58) **Field of Classification Search**
USPC D7/354, 358, 372, 376-386, 412-413, D7/602, 629, 665-666, 669, 679, D7/693-694

CPC A21C 1/02; A21C 1/04; A23N 1/00; A23N 1/02; A47J 27/004; A47J 27/0813; A47J 43/04; A47J 43/25; A47J 43/27; A47J 43/042; A47J 43/044; A47J 43/046; A47J 43/075; A47J 43/0716; A47J 43/0722; A47J 43/0727; B01F 3/00; B01F 3/0807; B01F 3/0853; B01F 13/0059; B01F 13/0064; B02C 1/08; B02C 2/04; B02C 4/42; B02C 4/142; B02C 4/143; B02C 4/423; B02C 13/1835; B26D 1/29; B28C 5/10; B28C 5/12; B28C 5/14; B28C 5/16
See application file for complete search history.

(56) **References Cited**

U.S. PATENT DOCUMENTS

D707,079 S 6/2014 Blaise
D745,316 S * 12/2015 Usmar D7/378

D751,857 S * 3/2016 Kemker D7/376
D847,558 S * 5/2019 Hoff D7/384
D878,143 S * 3/2020 Ding D7/358
D896,022 S * 9/2020 Ye D7/384
D896,563 S * 9/2020 Lee D7/354
D896,567 S * 9/2020 Bai D7/384
D899,180 S 10/2020 Ye
D899,843 S 10/2020 Ye
D899,844 S * 10/2020 Ye D7/386

(Continued)

OTHER PUBLICATIONS

All-Clad HP503152 Prep&Cook Cooking Food Processor. Date First Available on Amazon.com Jan. 27, 2017. <https://www.amazon.com/All-Clad-HP503152-Cooking-Processor-4-7-Quart/dp/B01MTDRHIZ/ref> (Year: 2017).*

Primary Examiner — Ricky Pham

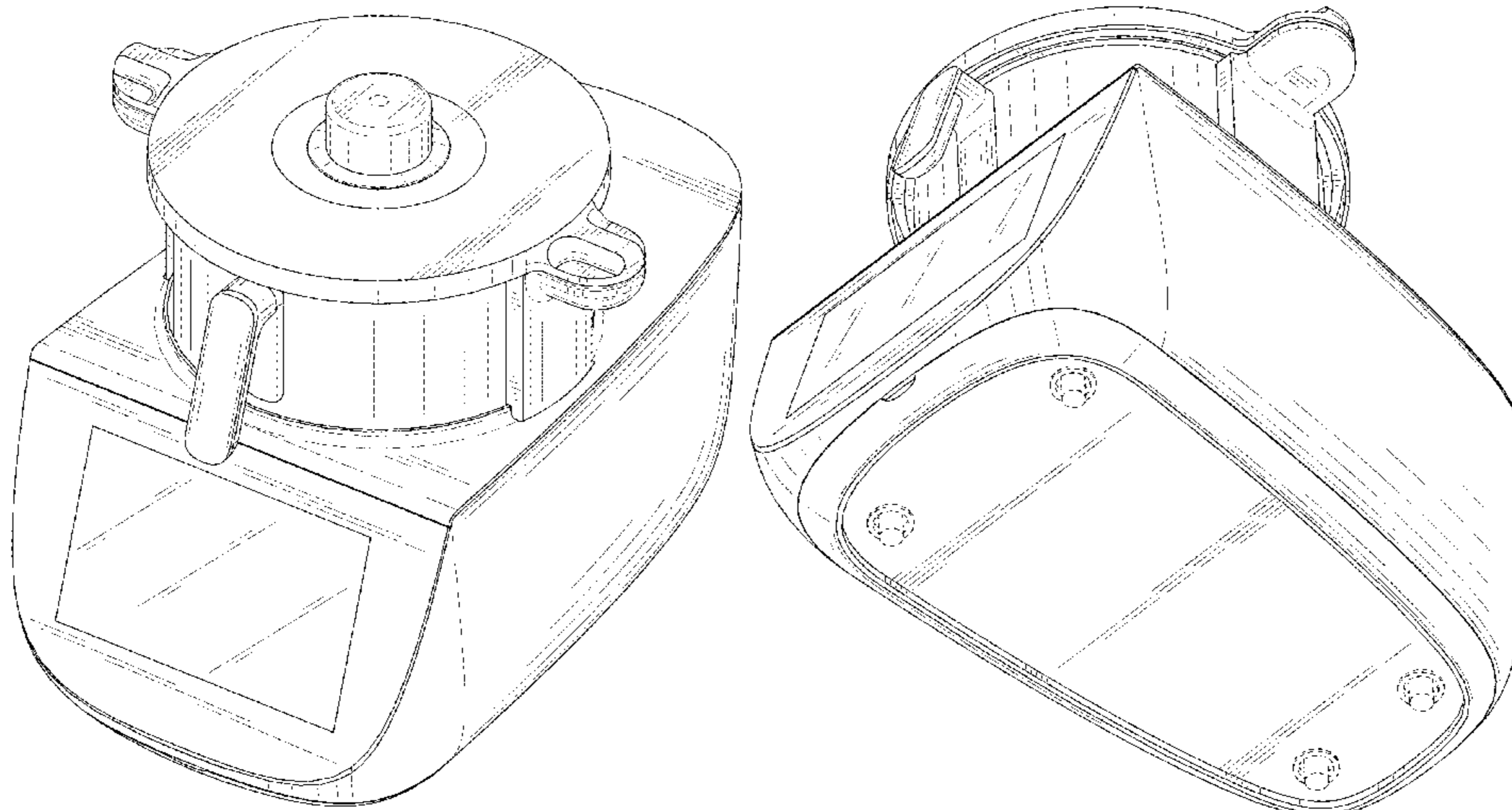
(57) **CLAIM**

The ornamental design for a kitchen machine, as shown and described.

DESCRIPTION

FIG. 1 is a perspective view of a kitchen machine according to an embodiment;
FIG. 2 is another perspective view thereof;
FIG. 3 is a front elevational view thereof;
FIG. 4 is a rear elevational view thereof;
FIG. 5 is a left side elevational view thereof;
FIG. 6 is a right side elevational view thereof;
FIG. 7 is a top plan view thereof;
FIG. 8 is a bottom plan view thereof; and,
FIG. 9 is a perspective view shown in a state of use.
The short dash broken lines in the drawings depict portions of the kitchen machine that form no part of the claimed design.
The diagonal shaded lines in the figures show a display surface.

1 Claim, 9 Drawing Sheets



(56)

References Cited

U.S. PATENT DOCUMENTS

D900,534 S 11/2020 Ye
D922,817 S * 6/2021 Lu D7/384
D925,273 S * 7/2021 Yao D7/384
2012/0181363 A1* 7/2012 Huang A47J 27/004
241/65
2016/0287011 A1* 10/2016 Deshayes B26D 1/29
2017/0217042 A1* 8/2017 Zakowski A47J 43/0716

* cited by examiner

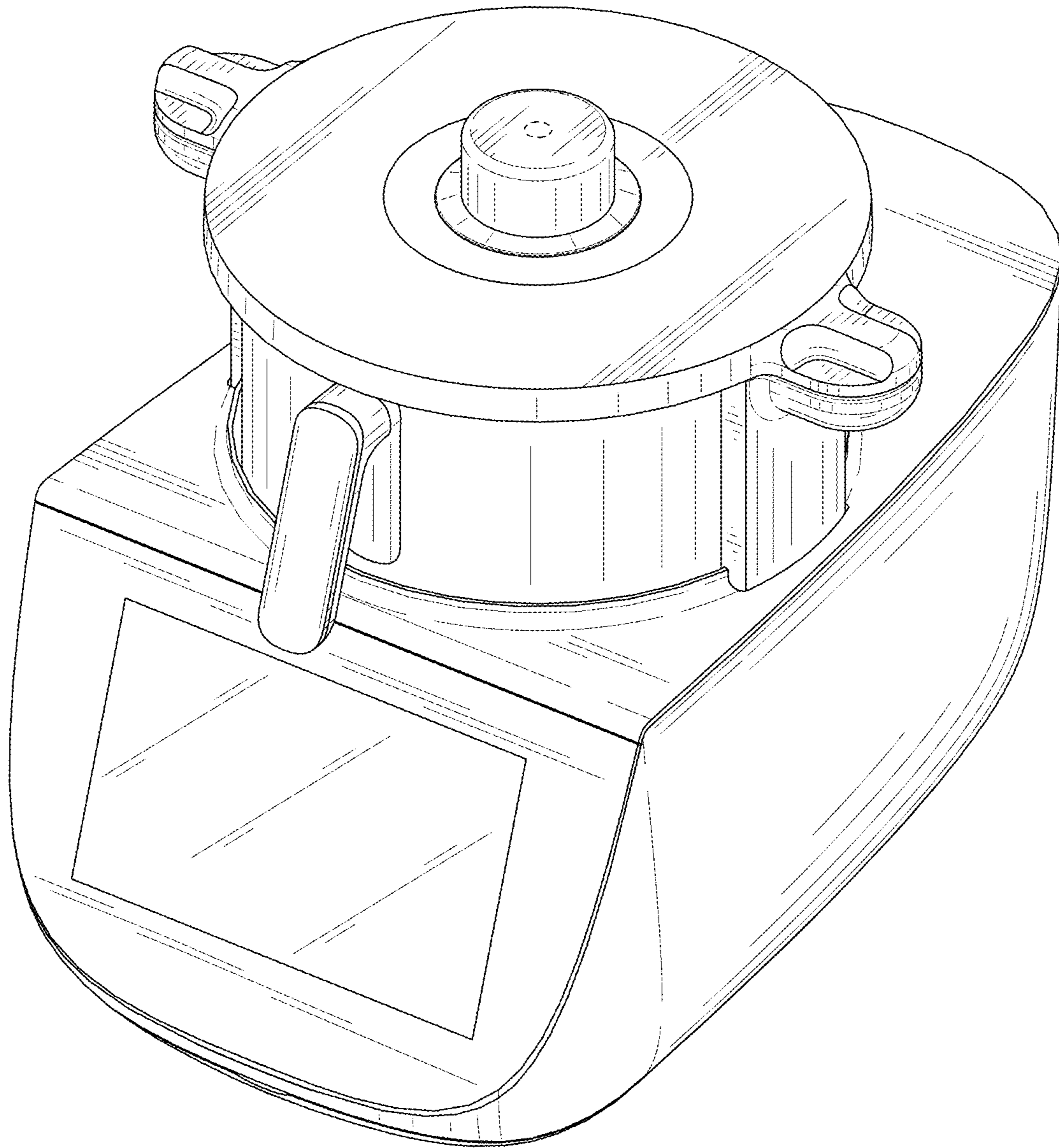


FIG. 1

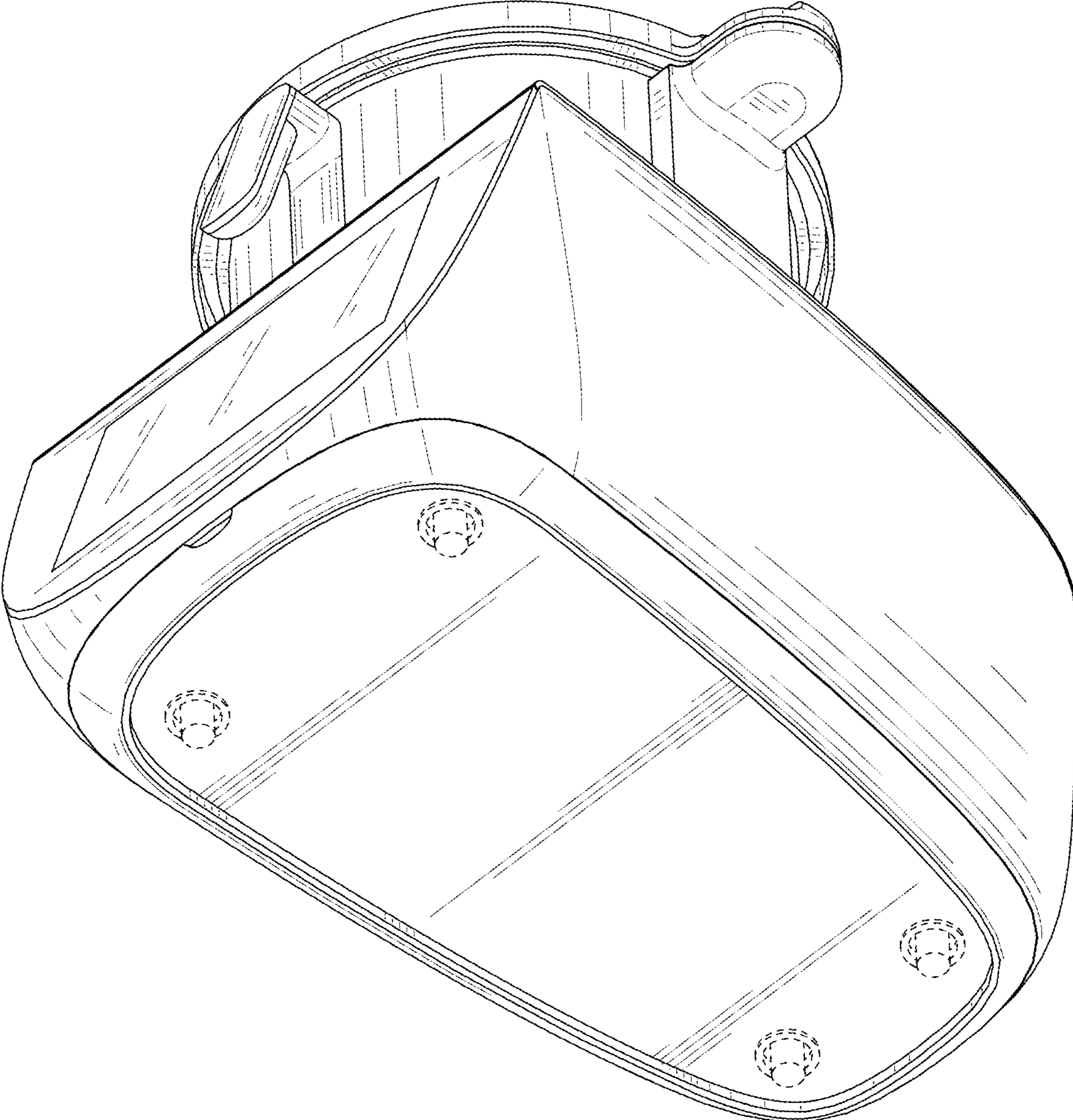


FIG. 2

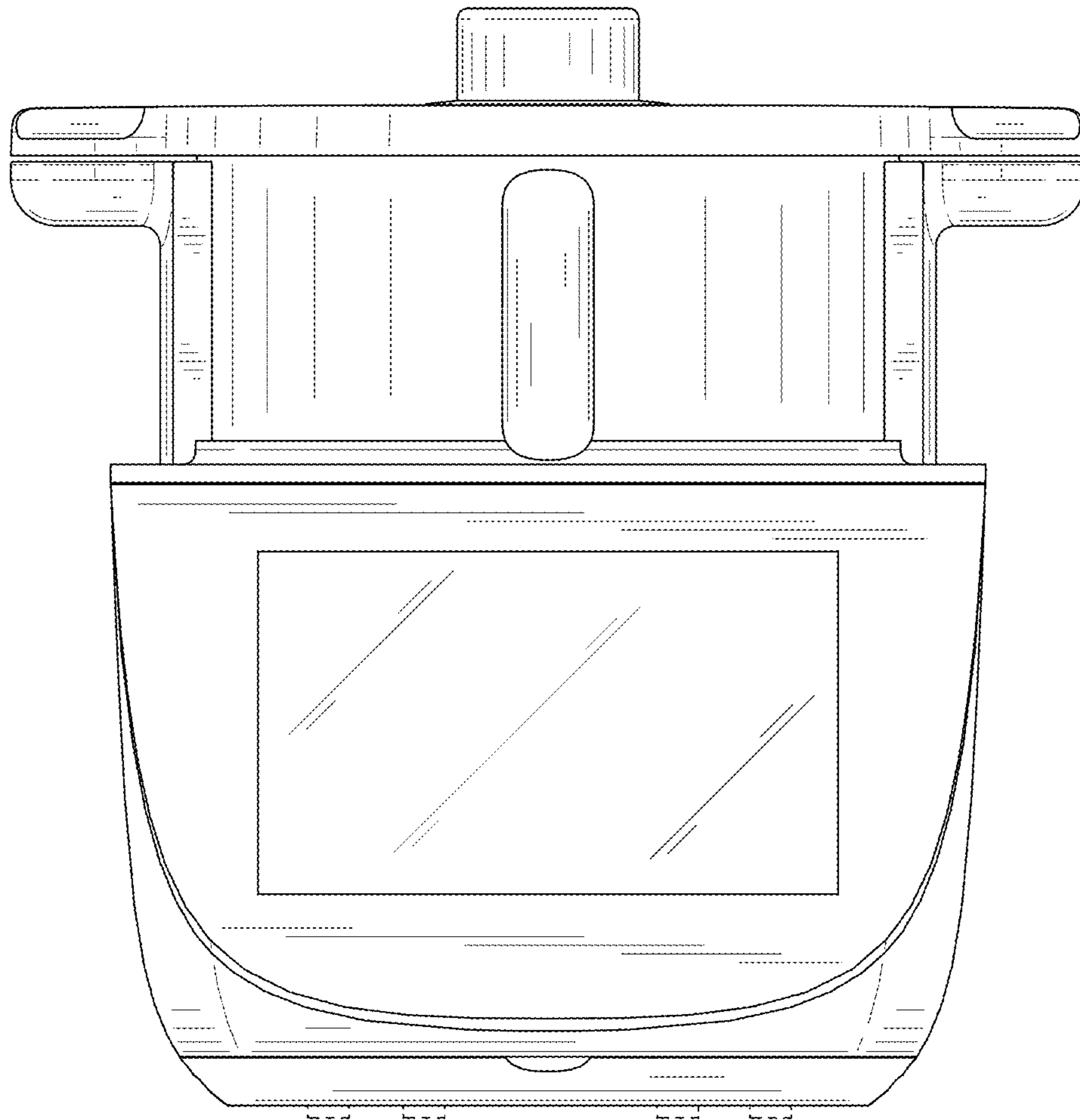


FIG. 3

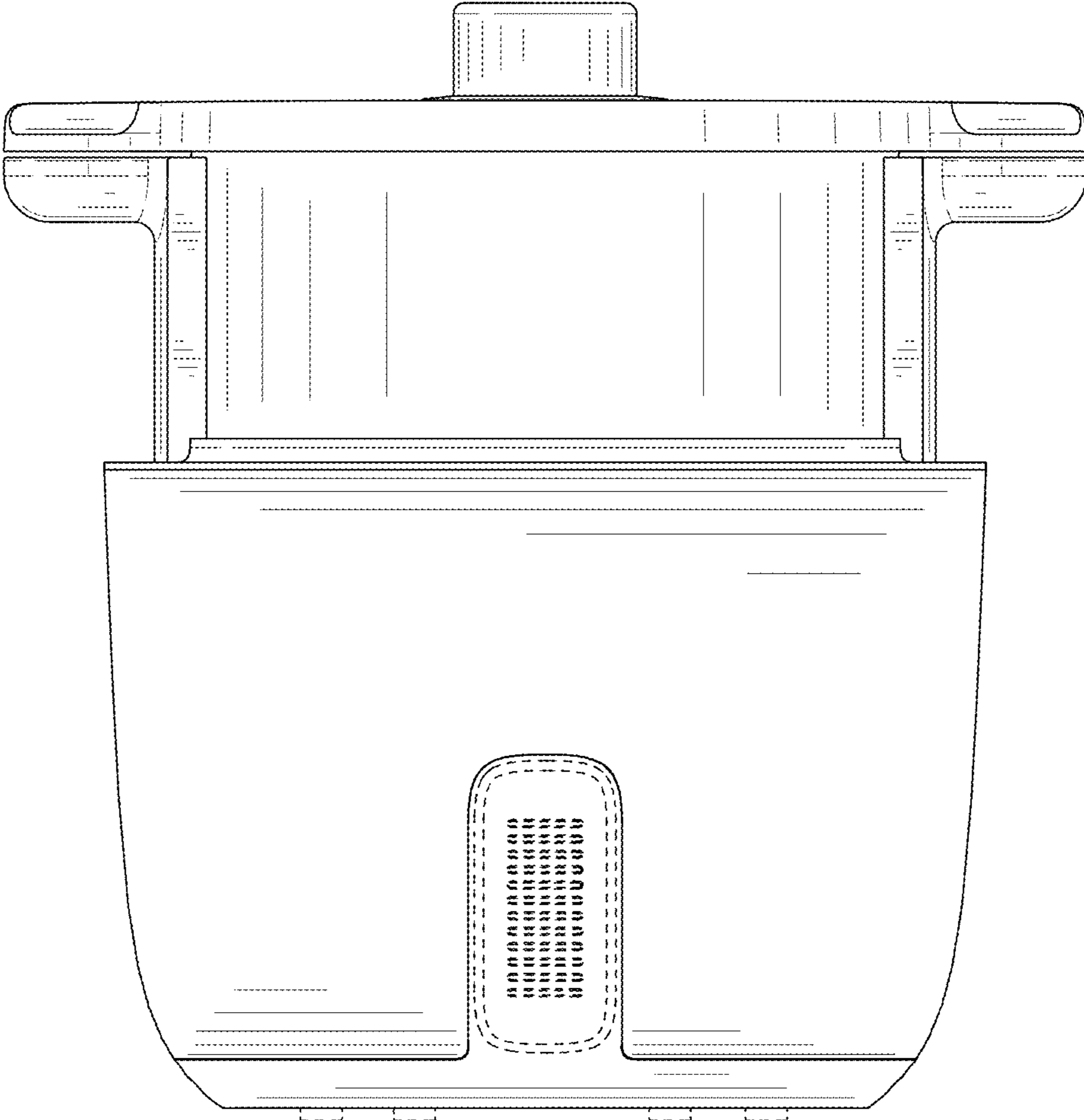


FIG. 4

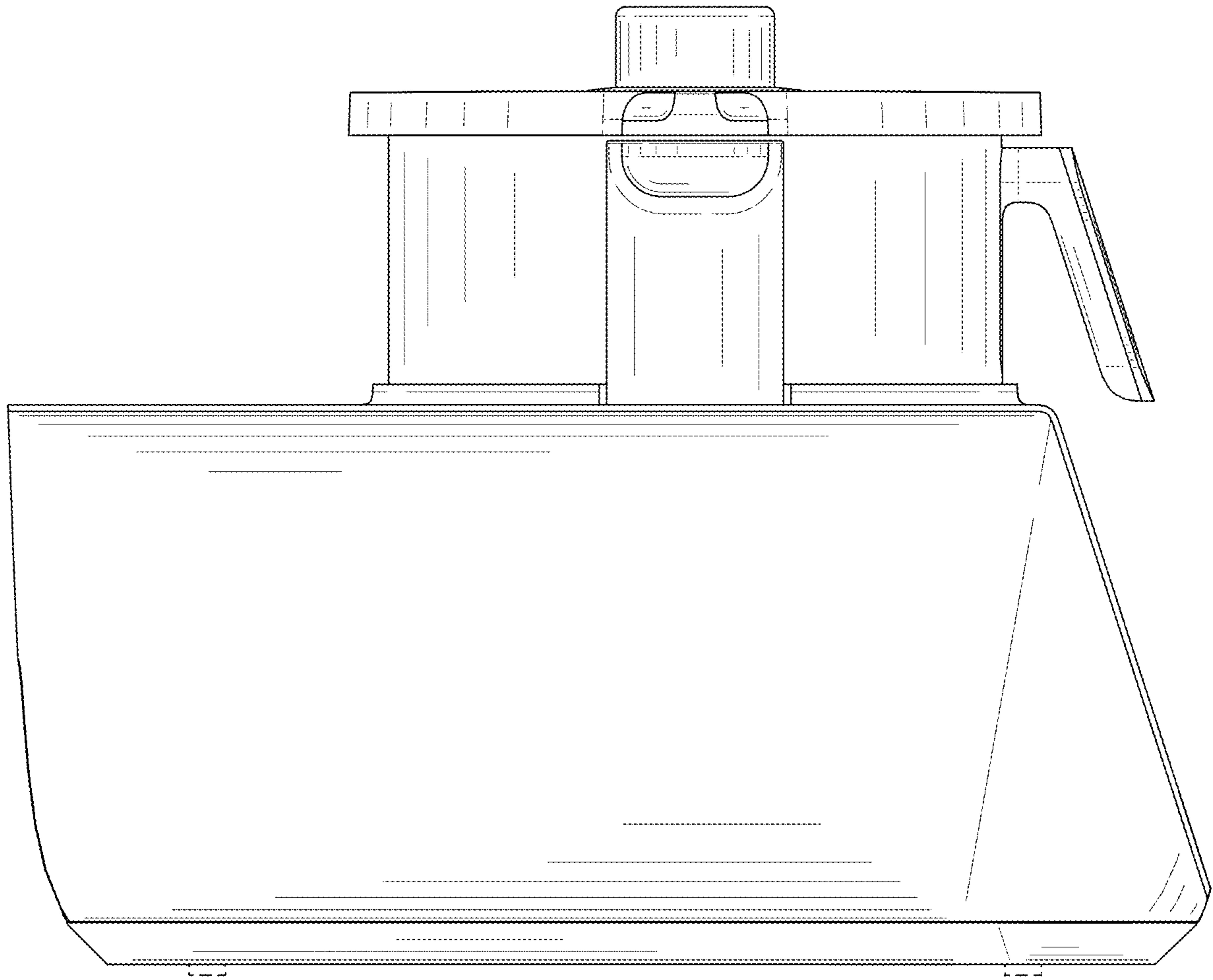


FIG. 5

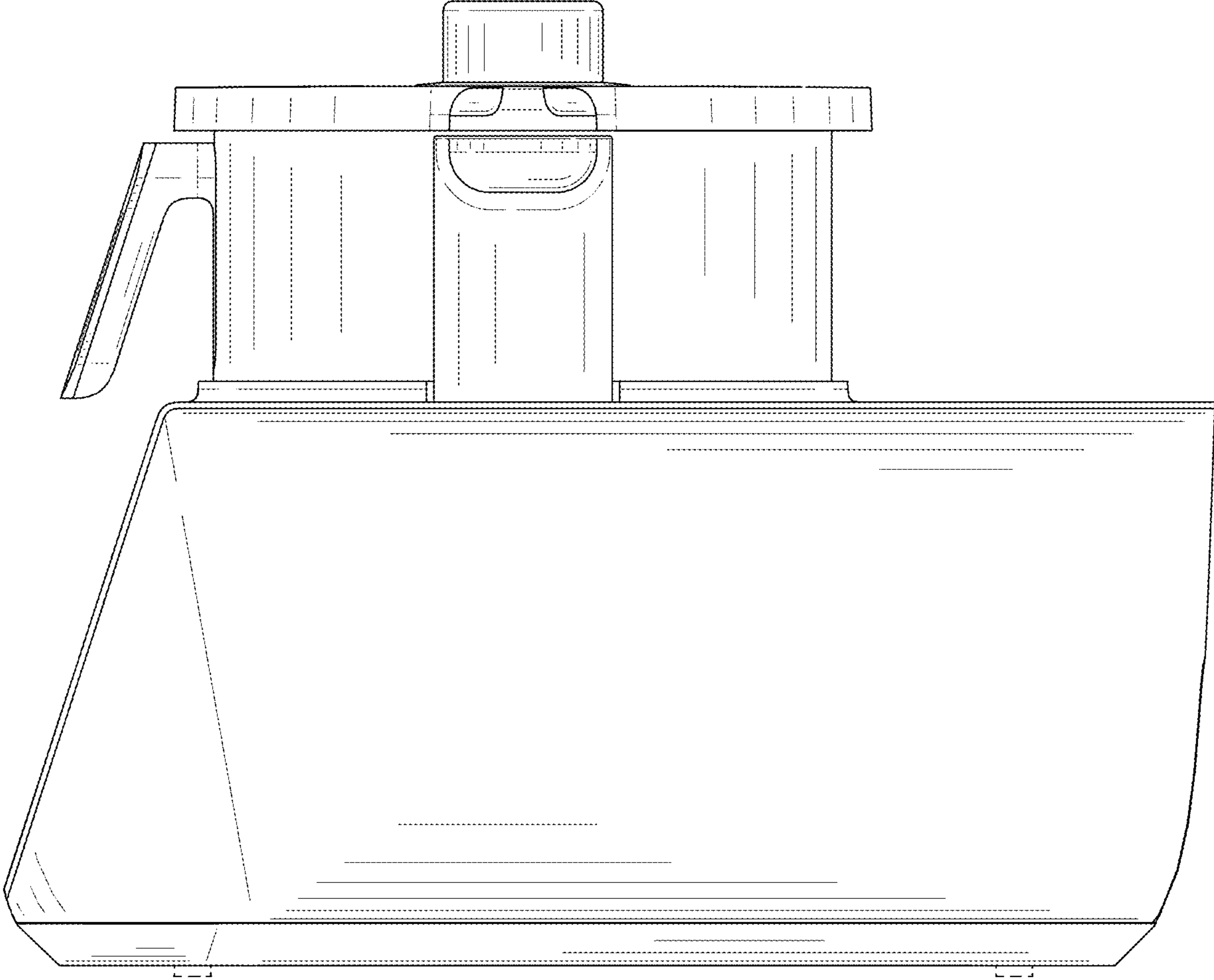


FIG. 6

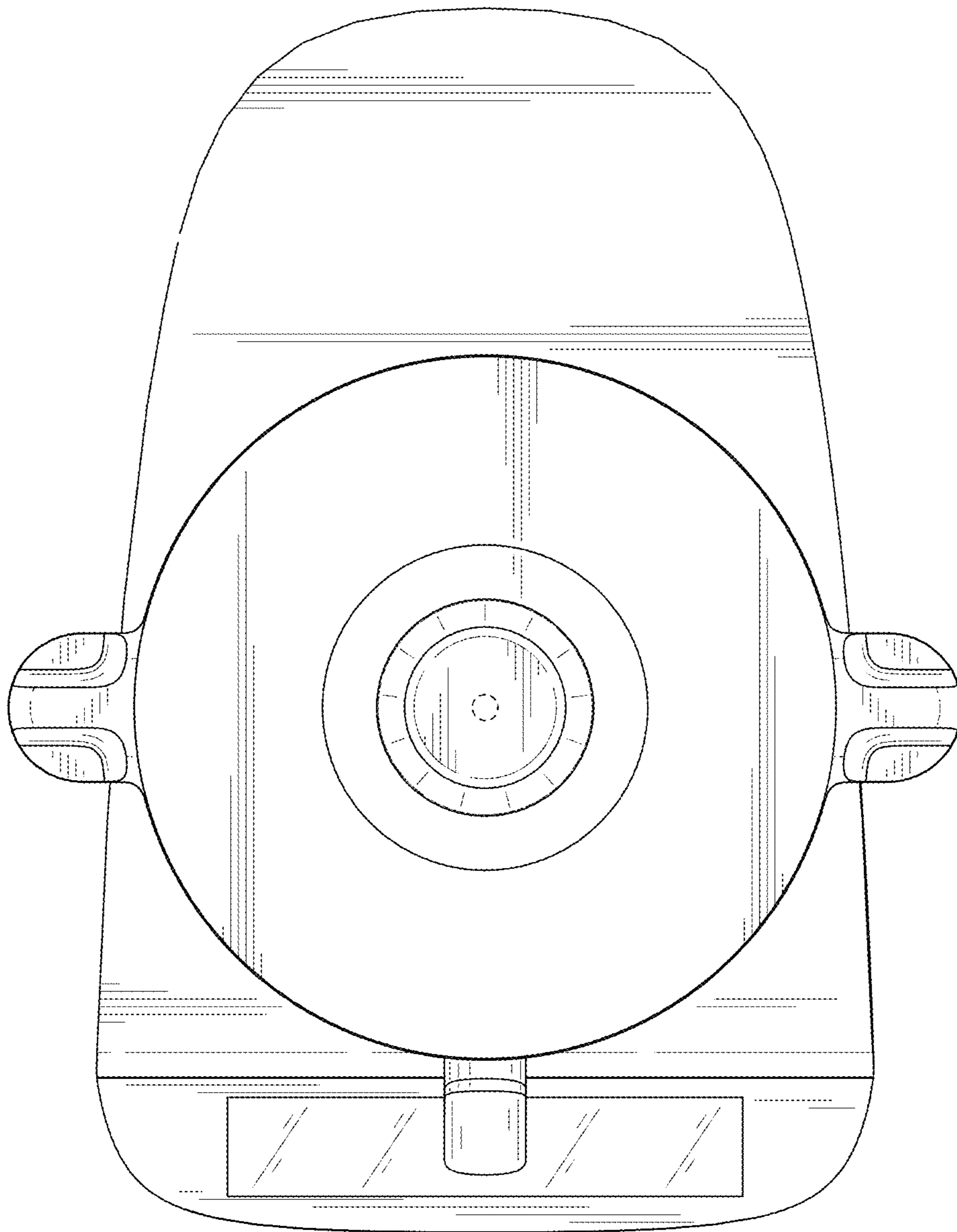


FIG. 7

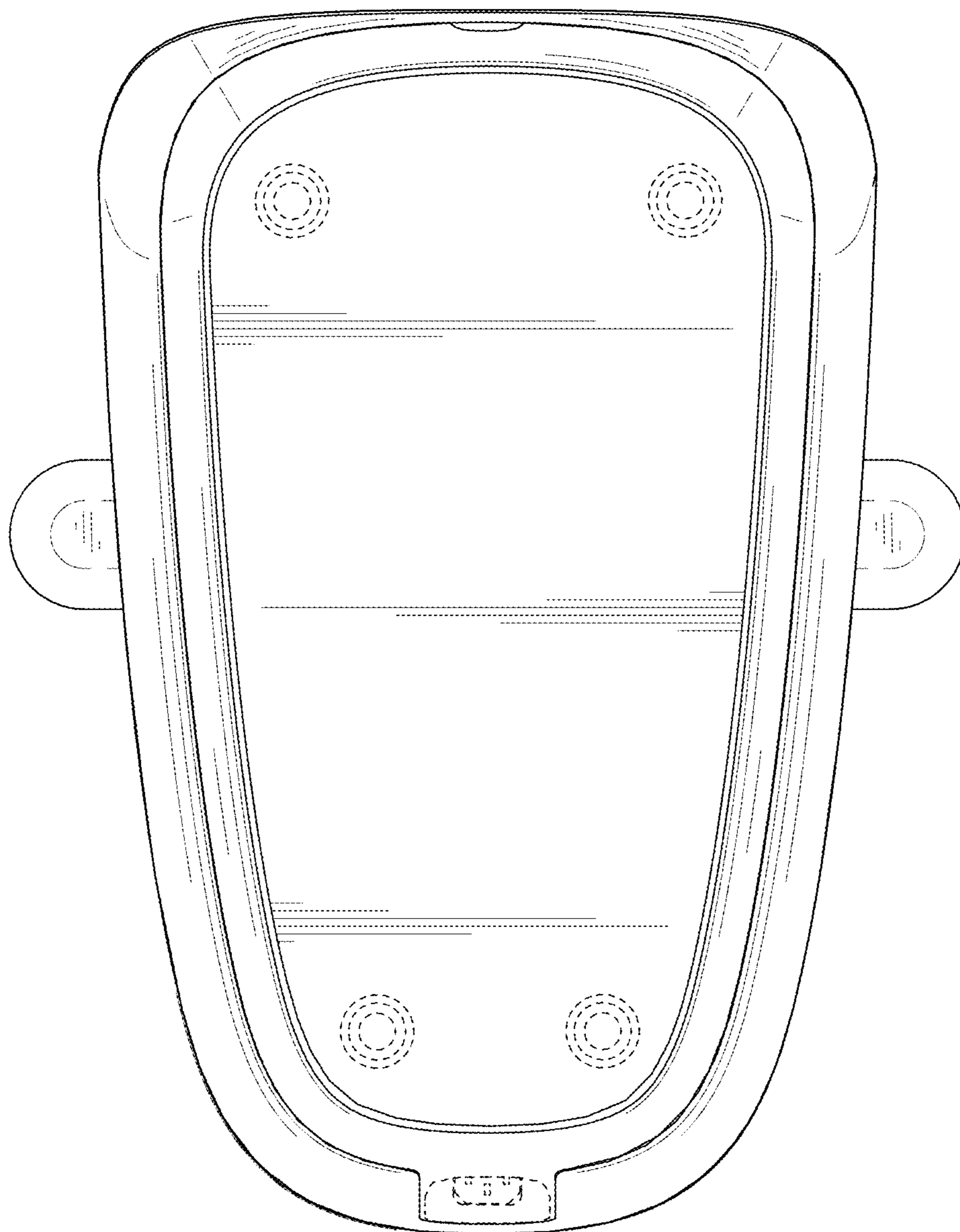


FIG. 8

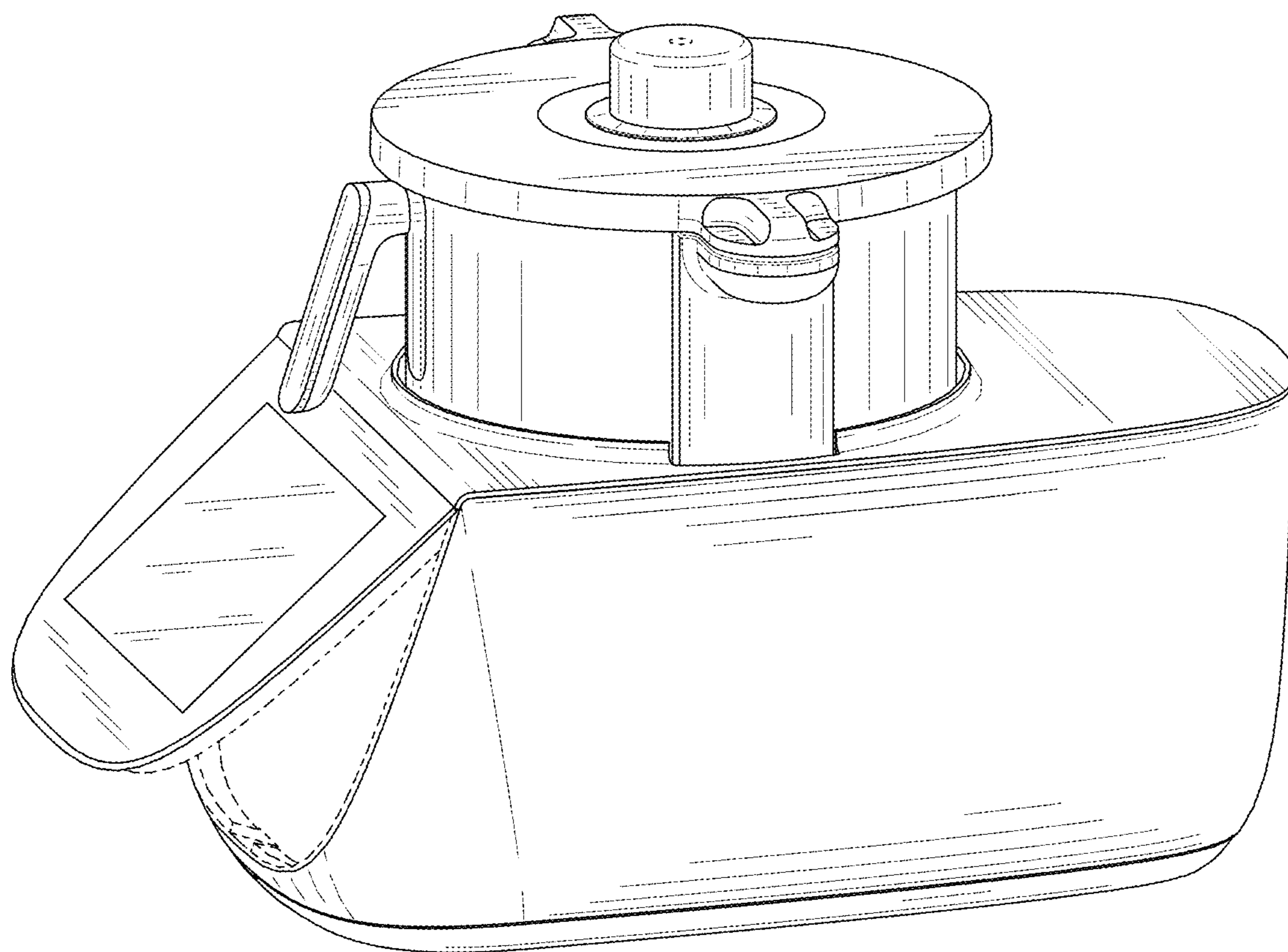


FIG. 9