



US00D935260S

(12) **United States Design Patent**
Morenstein et al.

(10) **Patent No.:** **US D935,260 S**

(45) **Date of Patent:** **** Nov. 9, 2021**

(54) **COFFEE GRINDER**

(71) Applicant: **Fellow Industries, Inc.**, San Francisco, CA (US)

(72) Inventors: **Joshua Morenstein**, San Francisco, CA (US); **Christopher HibmaCronan**, Oakland, CA (US); **Jacob Miller**, San Francisco, CA (US)

(73) Assignee: **Fellow Industries, Inc.**, San Francisco, CA (US)

(**) Term: **15 Years**

(21) Appl. No.: **29/716,207**

(22) Filed: **Dec. 6, 2019**

(51) **LOC (13) Cl.** **31-00**

(52) **U.S. Cl.**
USPC **D7/373**

(58) **Field of Classification Search**
USPC D7/306, 309, 323, 326, 327, 338, 372, D7/373, 374, 375, 376, 377, 378, 379, D7/380, 381, 382, 383, 384, 385, 386, D7/402, 412, 413, 598, 602, 612, 629, D7/694, 669, 679, 619.1

CPC .. A47J 43/04; A47J 43/25; A47J 43/27; A47J 43/042; A47J 43/044; A47J 43/046; A47J 43/075; A47J 43/0722; A47J 43/0727; A47J 42/40; A21C 1/02; A21C 1/04; A23G 9/045; A23N 1/00; A23N 1/02; B01F 3/00; B01F 3/0807; B01F 3/0853; B01F 13/0059; B01F 13/0064; B02C 1/08; B02C 4/42; B02C 4/142; B02C 4/143; B02C 4/423; B02C 13/1835; B28C 5/10; B28C 5/12; B28C 5/14; B28C 5/16

See application file for complete search history.

(56) **References Cited**

U.S. PATENT DOCUMENTS

D364,249 S * 11/1995 Cannata-Nowell D24/220
D373,501 S * 9/1996 Han D7/309

D373,503 S * 9/1996 Cummins D7/376
D473,420 S * 4/2003 Lo D7/376
D584,099 S * 1/2009 Terzariol D7/309
D604,094 S * 11/2009 De Pra' D7/372
D879,532 S * 3/2020 Kaplan D7/306

(Continued)

FOREIGN PATENT DOCUMENTS

DE 10331813 A1 * 2/2005 B65B 1/22

OTHER PUBLICATIONS

Ode Brew Grinder, announced Oct. 27, 2020 [online], retrieved Nov. 19, 2020, retrieved from internet, <https://fellowproducts.com/products/ode-brew-grinder>.*

(Continued)

Primary Examiner — Dana K Weiland

Assistant Examiner — Messina L Smith

(74) *Attorney, Agent, or Firm* — Cognition IP, P.C.; Edward Steakley

(57) **CLAIM**

The ornamental design for a coffee grinder, as shown and described.

DESCRIPTION

FIG. 1 is a front isometric view of a coffee grinder showing the new design.

FIG. 2 is a first side view thereof.

FIG. 3 is a second side view thereof.

FIG. 4 is a rear elevation view thereof.

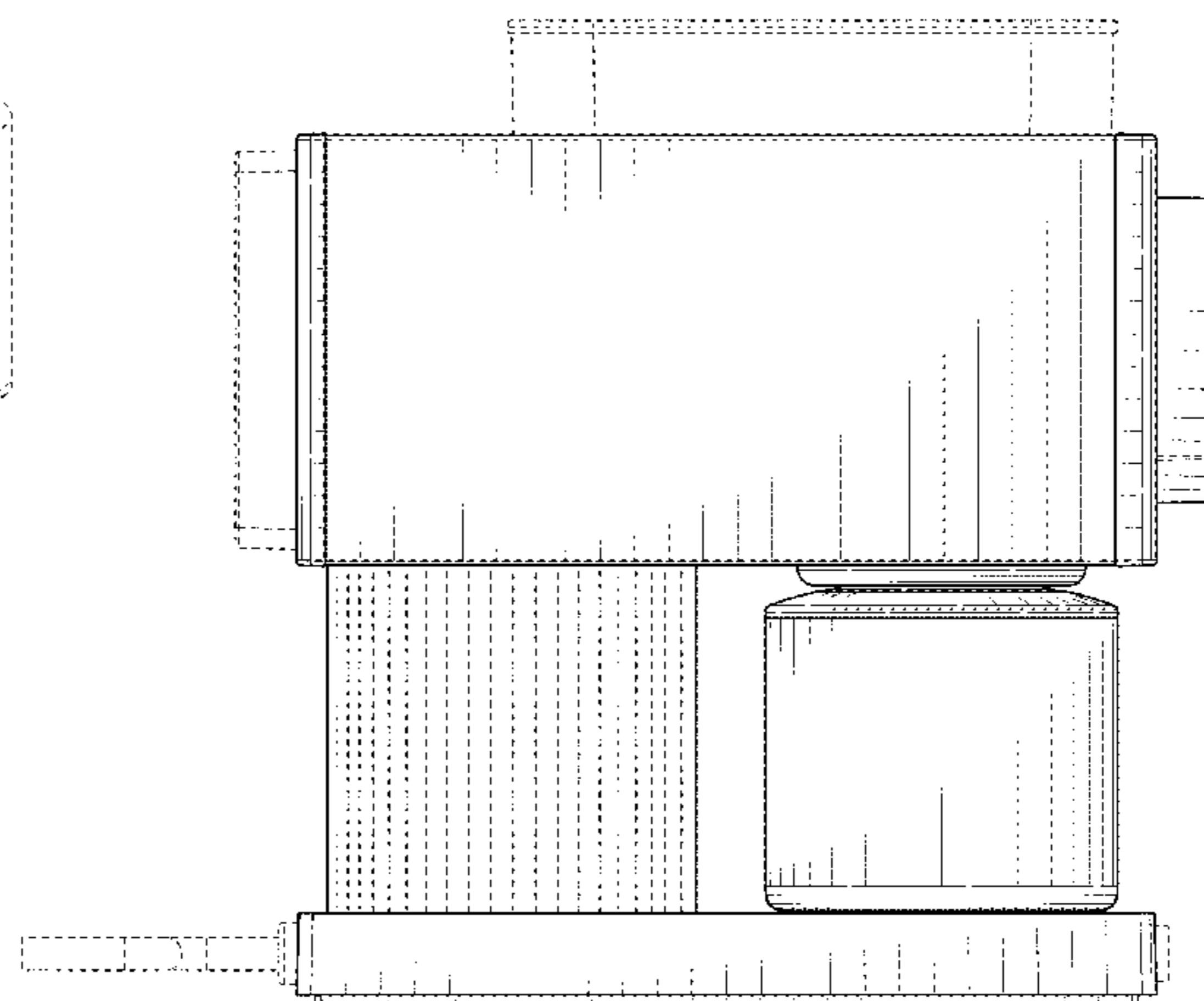
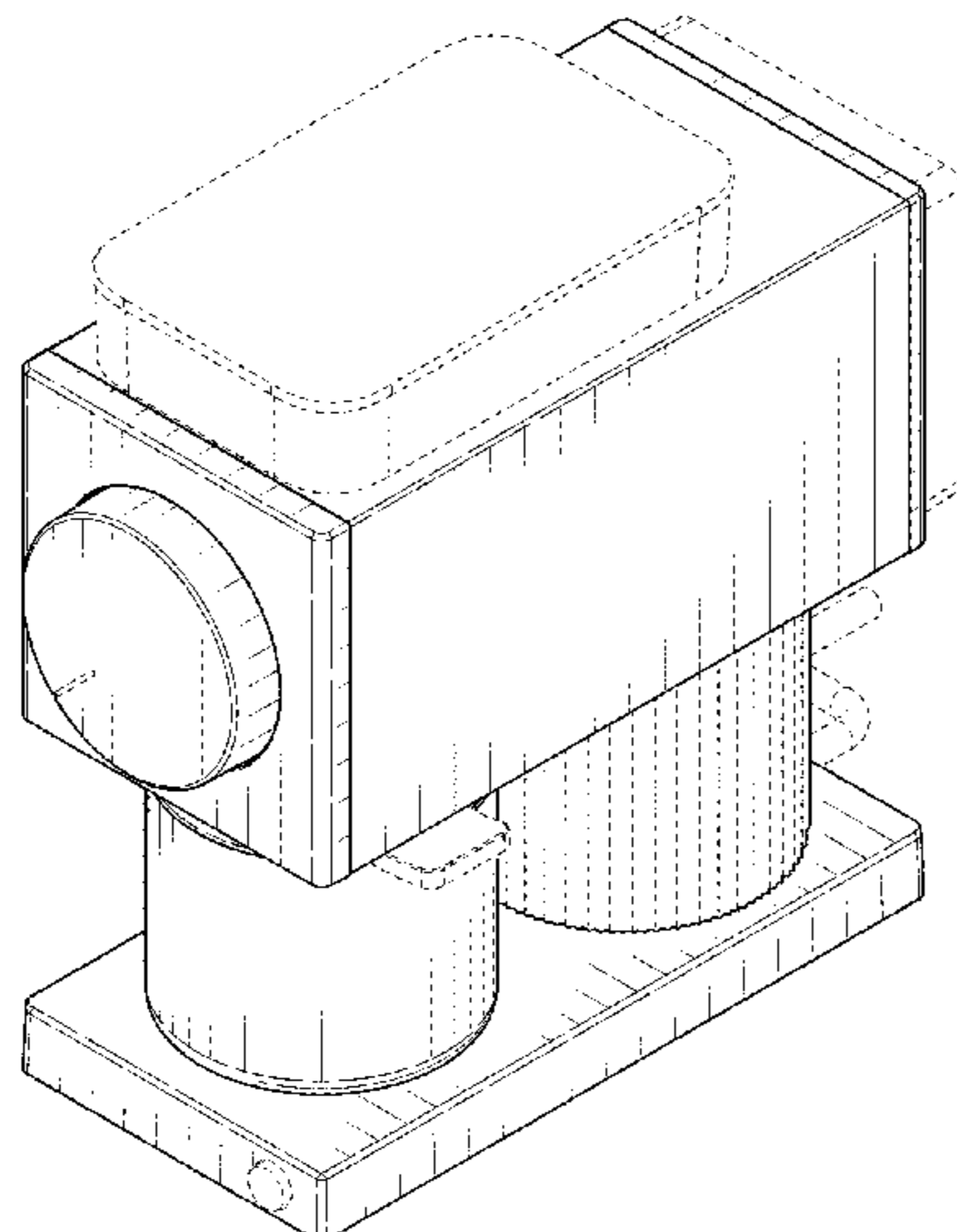
FIG. 5 is a front elevation view thereof.

FIG. 6 is a top plan view thereof; and,

FIG. 7 is a bottom plan view thereof.

The shade lines in the Figures show contour and not surface ornamentation. The broken lines in the Figures depict portions of the coffee grinder that form no part of the claimed design.

1 Claim, 5 Drawing Sheets



(56)

References Cited

U.S. PATENT DOCUMENTS

D894,662 S * 9/2020 Beneteau D7/326
D897,141 S * 9/2020 Weber D7/309
2012/0204342 A1* 8/2012 Hotaling A23G 9/30
4/625
2018/0263405 A1* 9/2018 Drees A47J 31/20
2020/0037808 A1* 2/2020 Natta F02G 5/00

OTHER PUBLICATIONS

Fellow, announced Dec. 12, 2019 [online], retrieved Nov. 19, 2020, retrieved from internet, <https://www.facebook.com/fellowproducts/photos/a.606430292737410/2662648170448935/?type=3&theater>.*

Fellow Products Ode Brew Grinder, announced Dec. 14, 2019 [online], retrieved Nov. 19, 2020, retrieved from internet, <https://prima-coffee.com/equipment/fellow-products/ode-fe-pr-sp>.*

Ode Brew Grinder, announced Dec. 12, 2020 [online], retrieved Nov. 19, 2020, retrieved from internet, <https://www.kickstarter.com/projects/fellow/ode-brew-grinder-cafe-performance-for-your-countertop/posts/2709457>.*

* cited by examiner

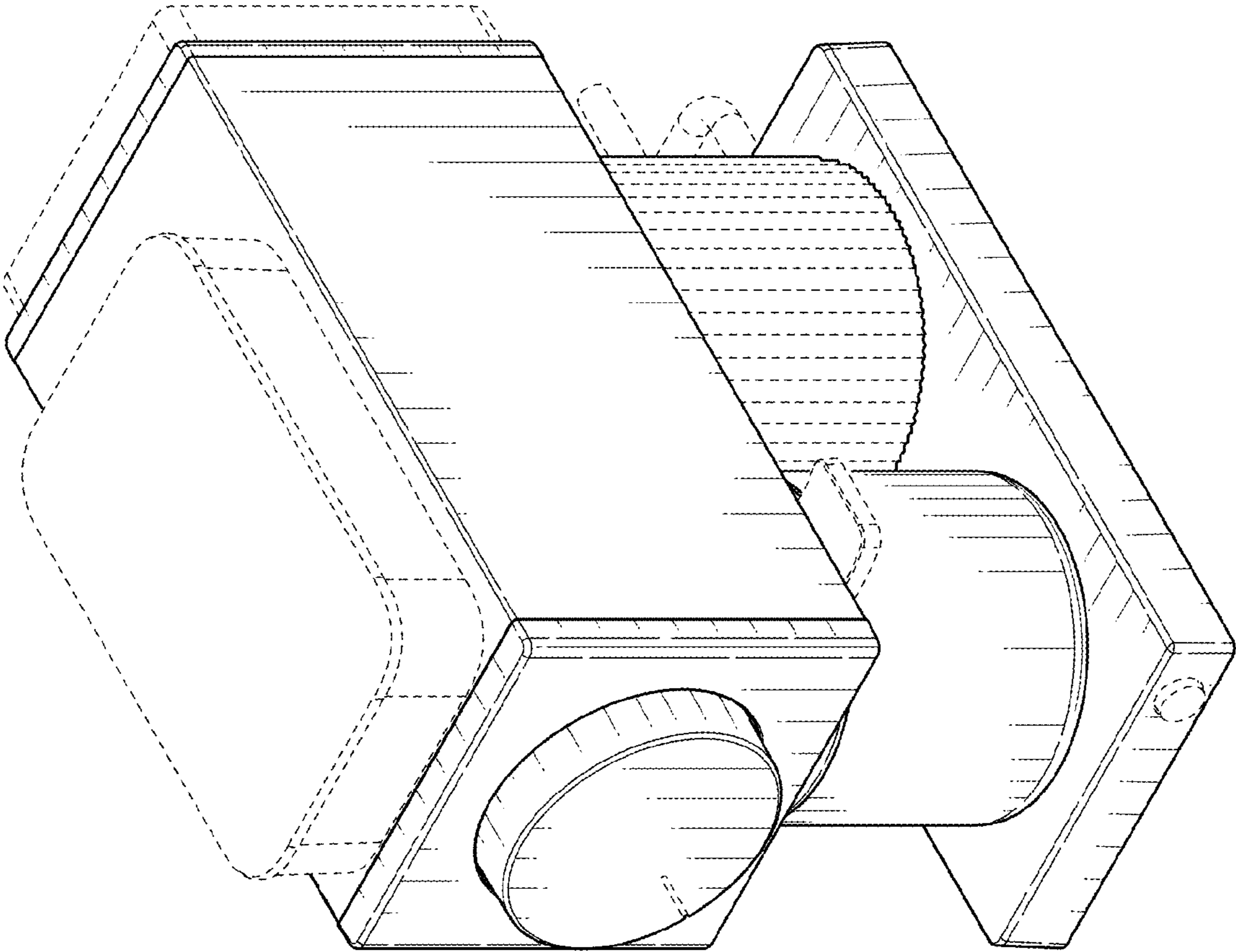


FIG. 1

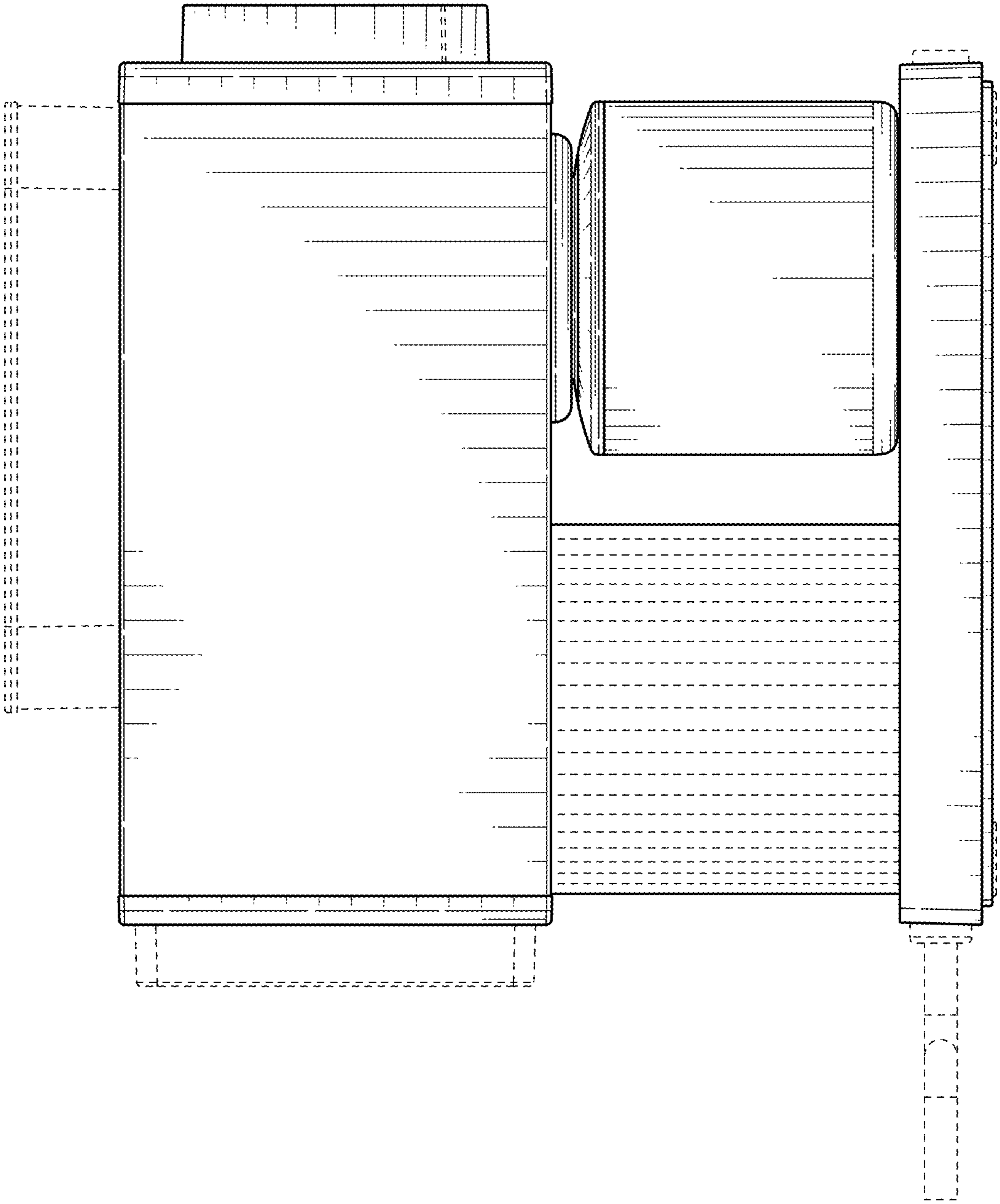


FIG. 2

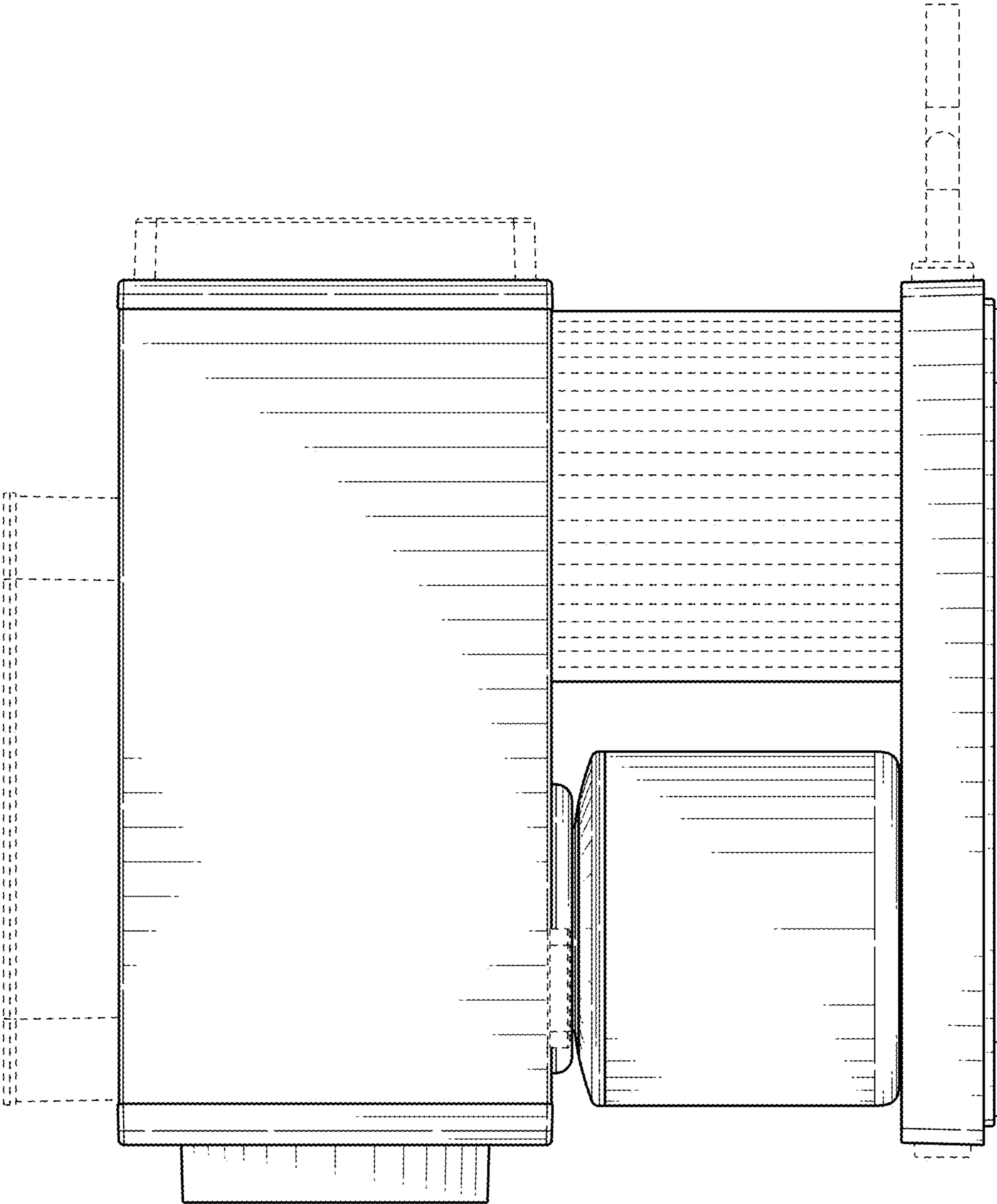


FIG. 3

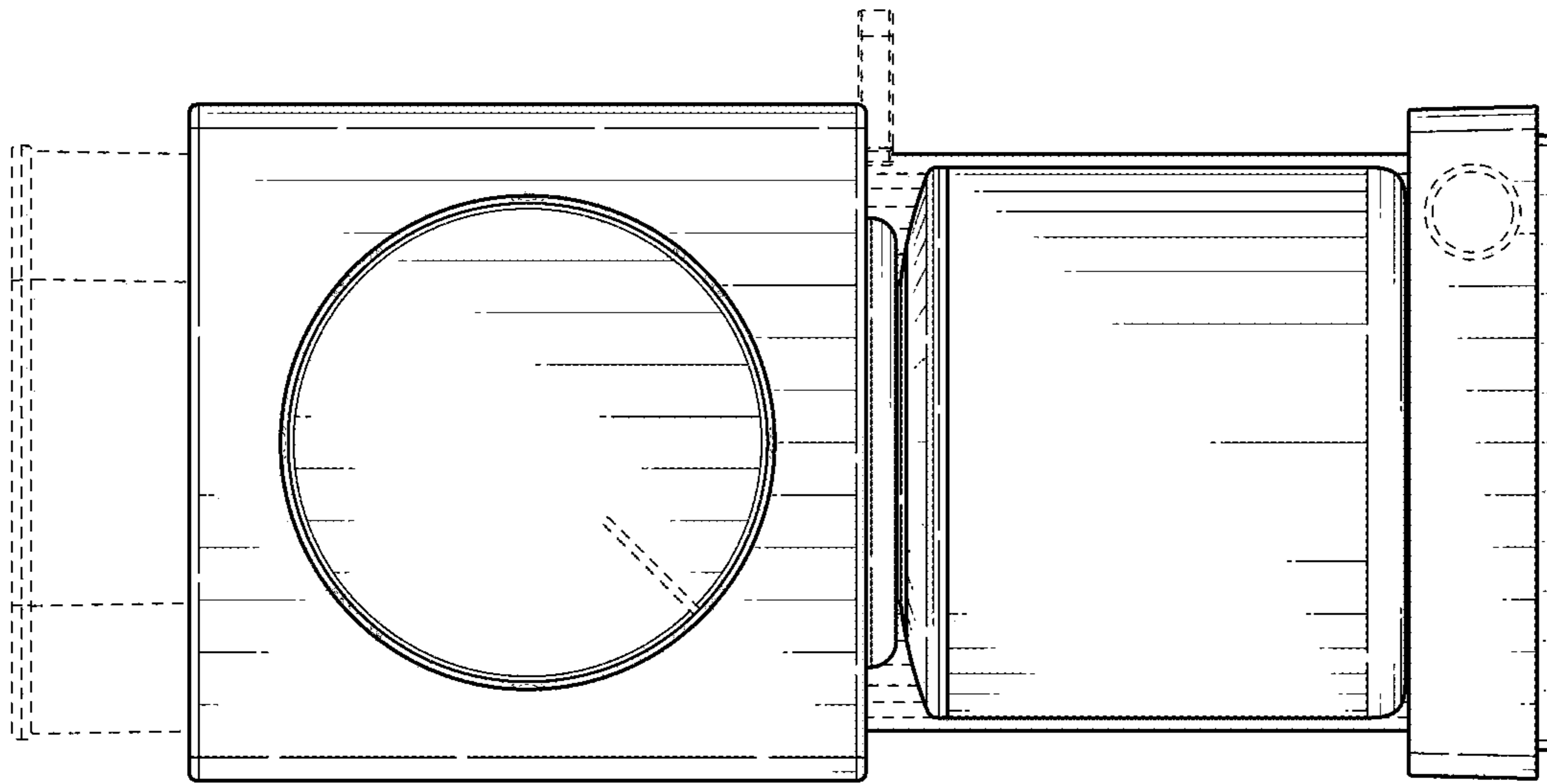


FIG. 5

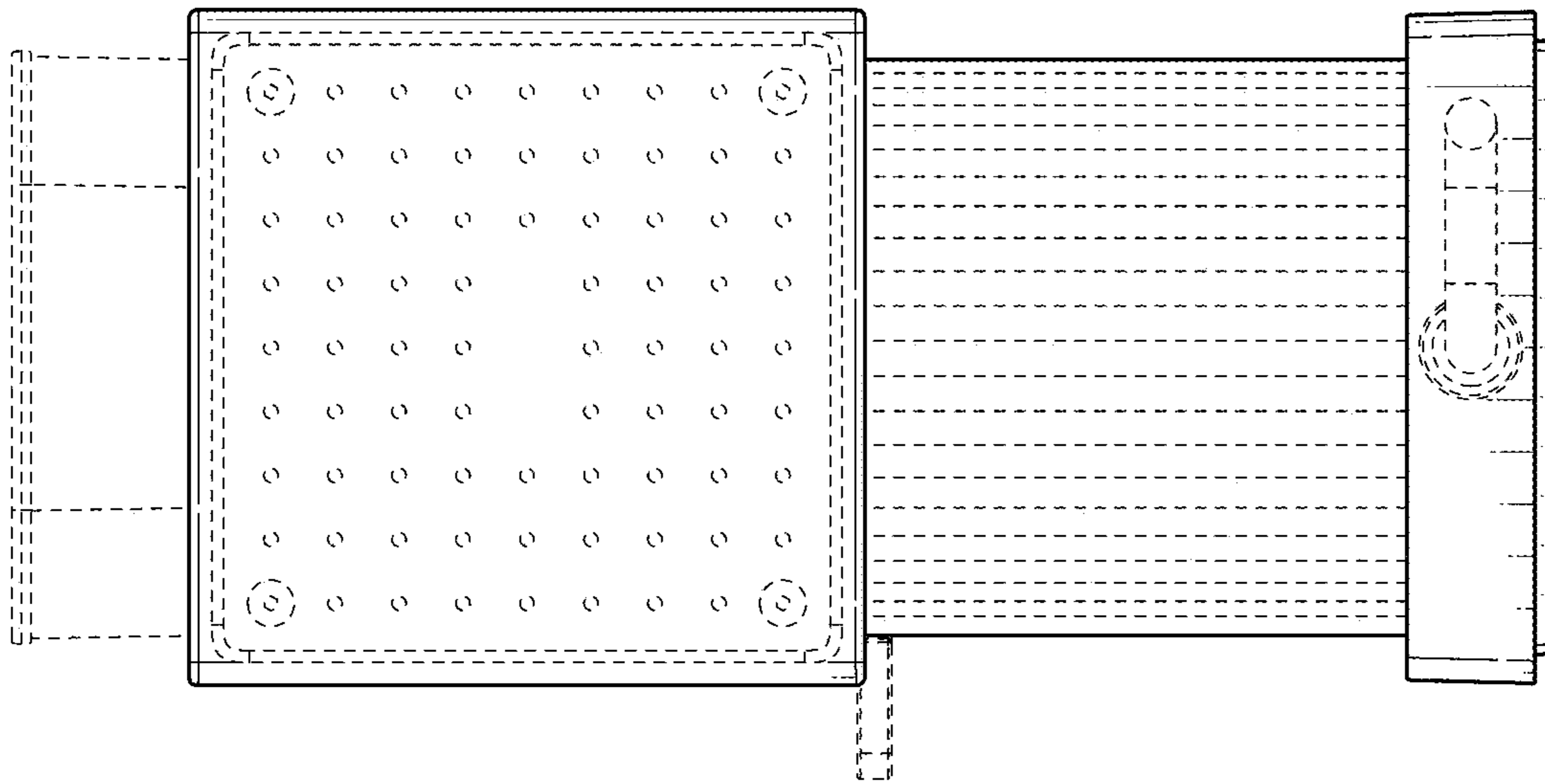


FIG. 4

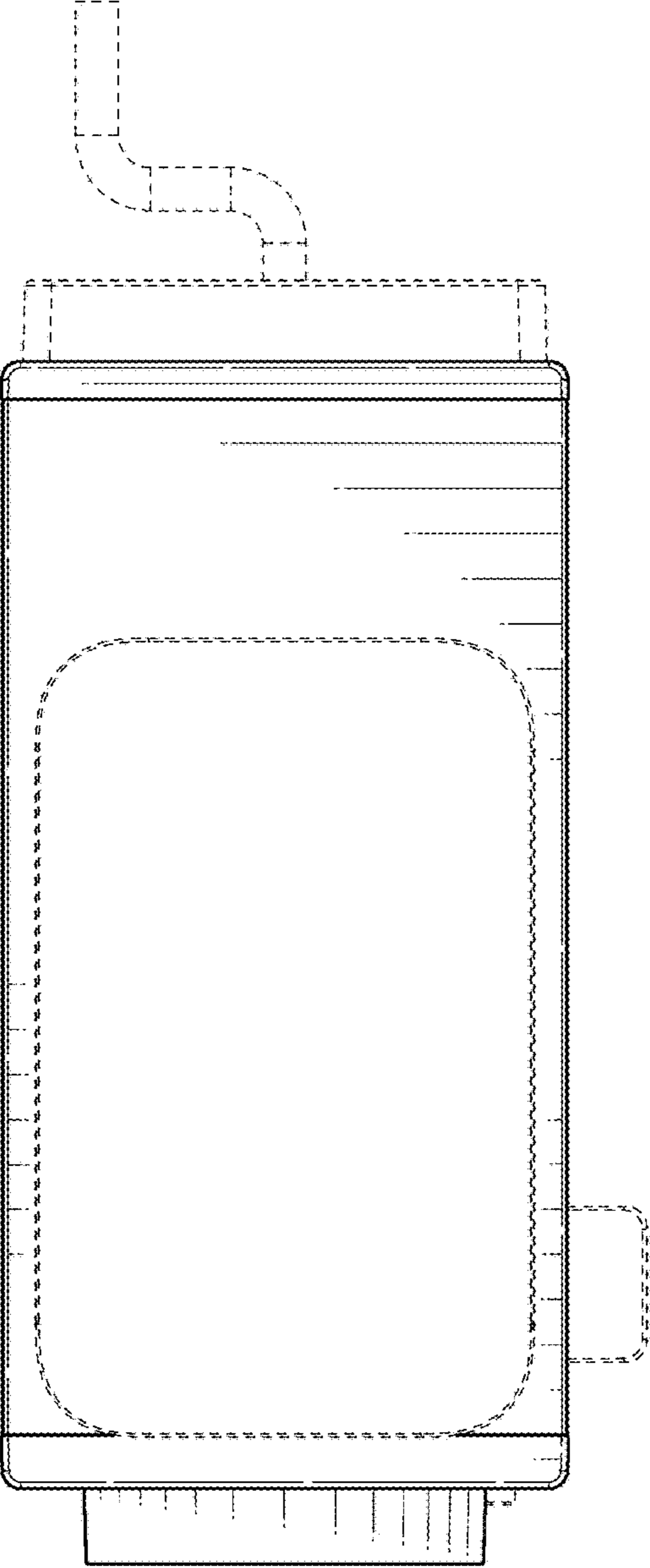


FIG. 6

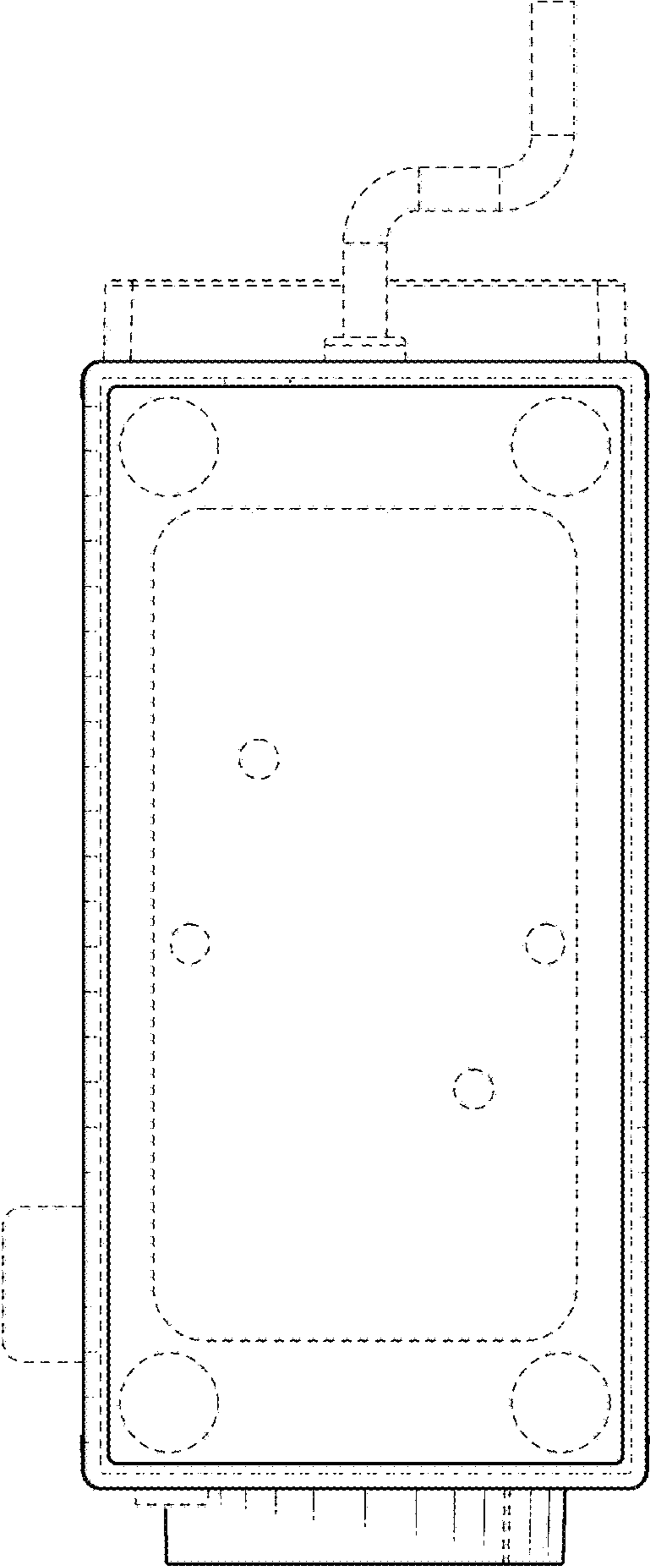


FIG. 7