



US00D935257S

(12) **United States Design Patent** (10) **Patent No.:** **US D935,257 S**
Baur (45) **Date of Patent:** **** Nov. 9, 2021**

(54) **COOLING UNIT FOR COFFEE MAKER**

(71) Applicant: **Jura Elektroapparate AG,**
Niederbuchsiten (CH)

(72) Inventor: **Philipp Baur,** Utzenstorf (CH)

(73) Assignee: **Jura Elektroapparate AG,**
Niderbuchsiten (CH)

(**) Term: **15 Years**

(21) Appl. No.: **35/509,439**

(22) Filed: **Mar. 24, 2020**

(80) **Hague Agreement Data**

Int. Filing Date: **Mar. 24, 2020**

Int. Reg. No.: **DM/208066**

Int. Reg. Date: **Mar. 24, 2020**

Int. Reg. Pub. Date: **May 22, 2020**

(30) **Foreign Application Priority Data**

Oct. 2, 2019 (EM) 006967626

(51) **LOC (13) Cl.** **07-10**

(52) **U.S. Cl.**
USPC **D7/300**

(58) **Field of Classification Search**

USPC D7/300, 309, 332, 337, 372, 376, 509,
D7/510, 526, 543, 590, 600, 600.1, 600.2,
D7/600.3, 665, 671, 673, 678, 679, 680,
D7/683, 688, 696

See application file for complete search history.

(56) **References Cited**

U.S. PATENT DOCUMENTS

D181,853 S * 1/1958 Hodgman D7/300
D187,014 S * 1/1960 Morgan D7/300
4,274,262 A * 6/1981 Reed F25B 21/02
62/3.64

D389,002 S * 1/1998 Demore D7/300
D462,878 S * 9/2002 Krieger D7/605
D463,218 S * 9/2002 Wu D7/605
D515,361 S * 2/2006 Yuen D7/605
D648,971 S * 11/2011 Goralski D7/306
D649,391 S * 11/2011 Goralski D7/306
D660,637 S * 5/2012 Milewski D7/317
D666,451 S * 9/2012 Cheng D7/309
D724,369 S * 3/2015 Cahen D7/309
D737,090 S * 8/2015 Long D7/306

(Continued)

FOREIGN PATENT DOCUMENTS

CN 305489955 12/2019
CN 305528611 1/2020

(Continued)

OTHER PUBLICATIONS

JURA | Cool Control 1 I—YouTube, May 2020.
https://www.youtube.com/watch?v=A0t_VCGV5cg, Sep. 2019.

Primary Examiner — Karen S Acker

(74) *Attorney, Agent, or Firm* — Volpe Koenig

(57) **CLAIM**

The ornamental design for a cooling unit for coffee maker,
as shown and described.

DESCRIPTION

1. Cooling unit for coffee maker

1.1 : Perspective

1.2 : Front

1.3 : Left

1.4 : Back

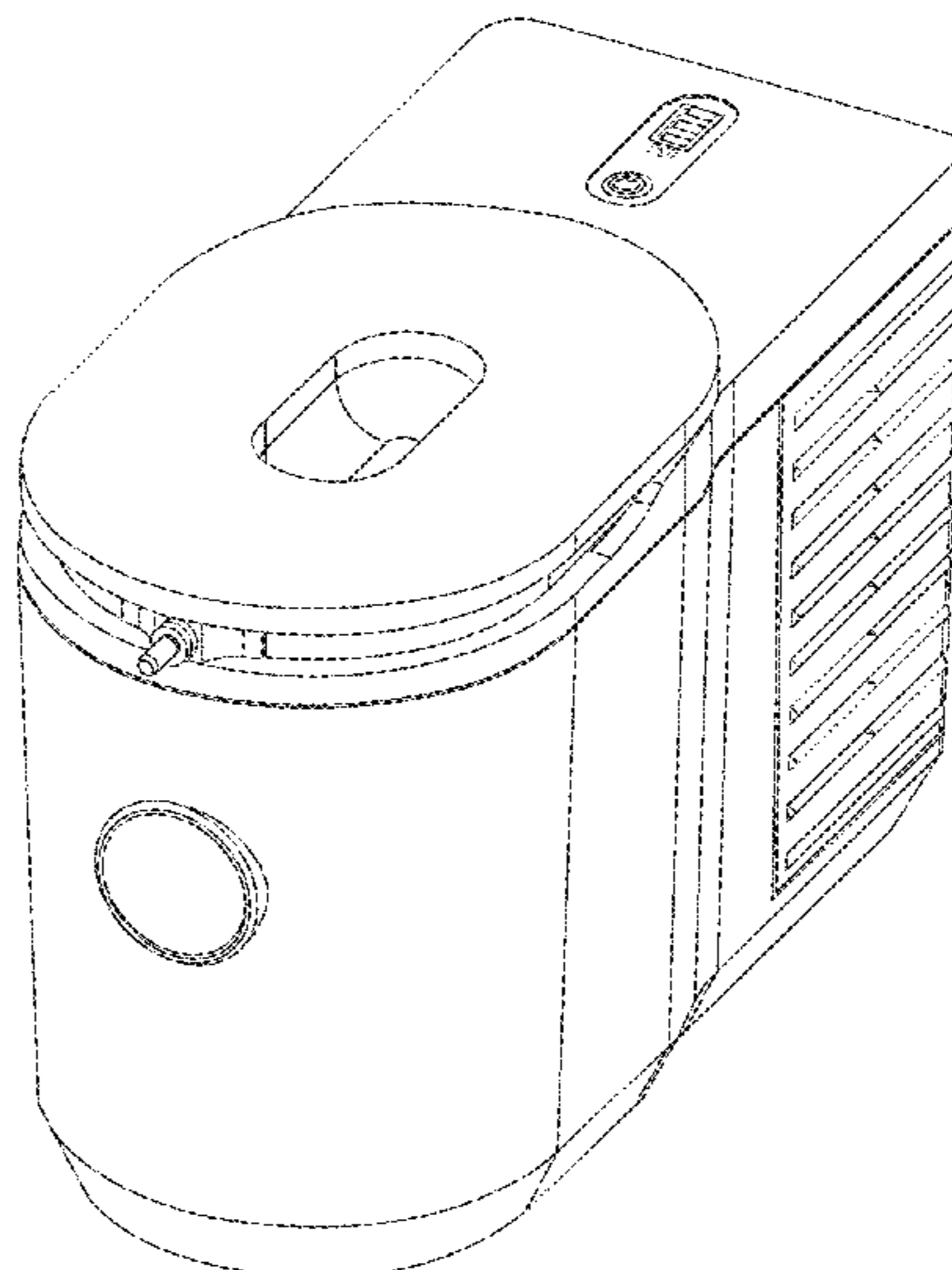
1.5 : Right

1.6 : Bottom

1.7 : Top

The broken lines and areas within them depict portions of
the cooling unit for coffee maker that form no part of the
claimed design.

1 Claim, 7 Drawing Sheets



(56)

References Cited

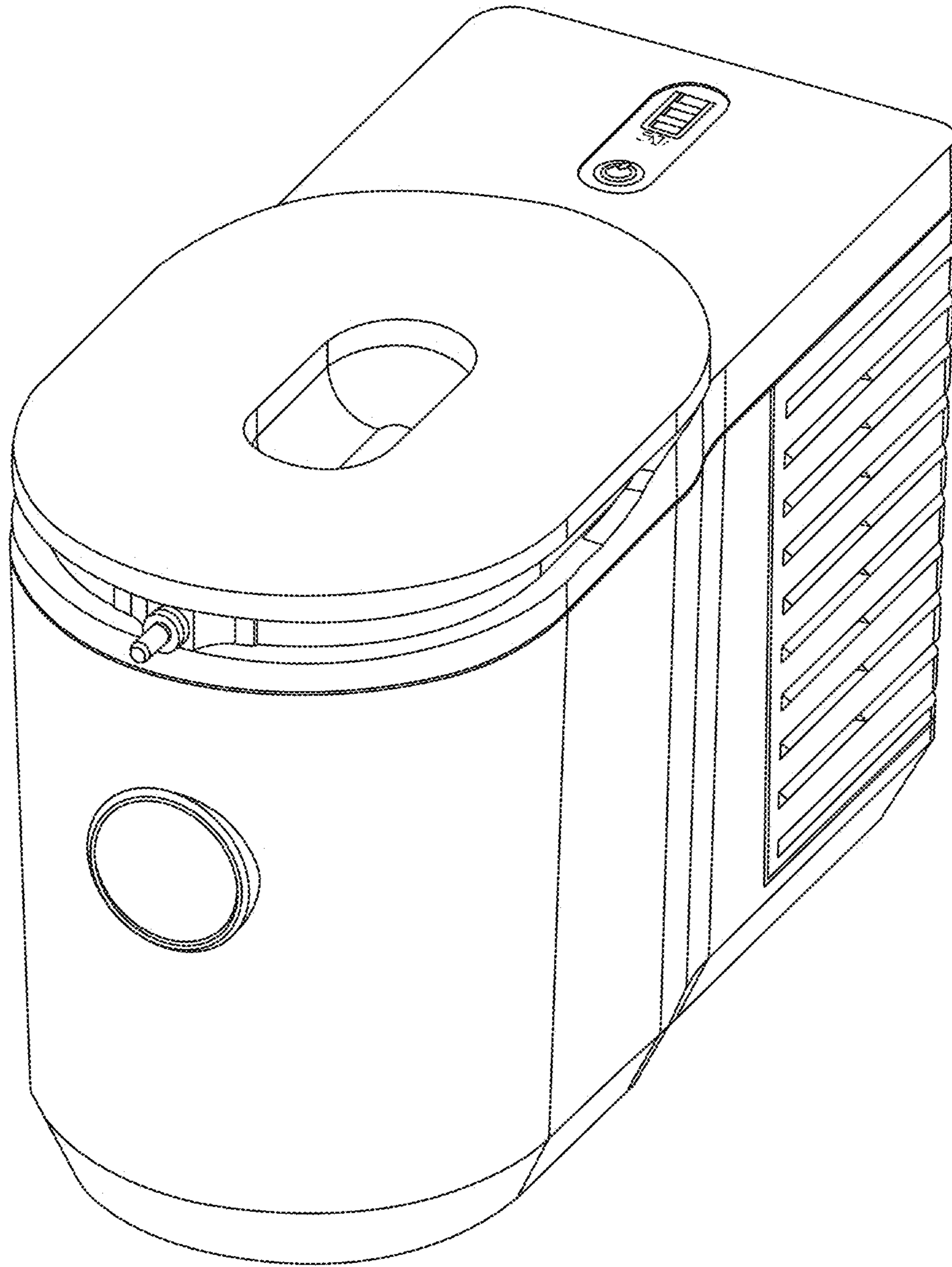
U.S. PATENT DOCUMENTS

D740,080 S * 10/2015 Shao D7/665
D760,009 S * 6/2016 Moammer D7/309
D772,642 S * 11/2016 Lownds D7/378
D843,179 S * 3/2019 Buttler D7/605
D855,370 S * 8/2019 Torgersen D7/313
D883,003 S * 5/2020 Lisiecki D7/300
D886,503 S * 6/2020 Seum D7/306
D912,909 S * 3/2021 Wu D30/122
2018/0177326 A1* 6/2018 Tooker A47J 31/10
2018/0344074 A1* 12/2018 Dussault F25B 1/00

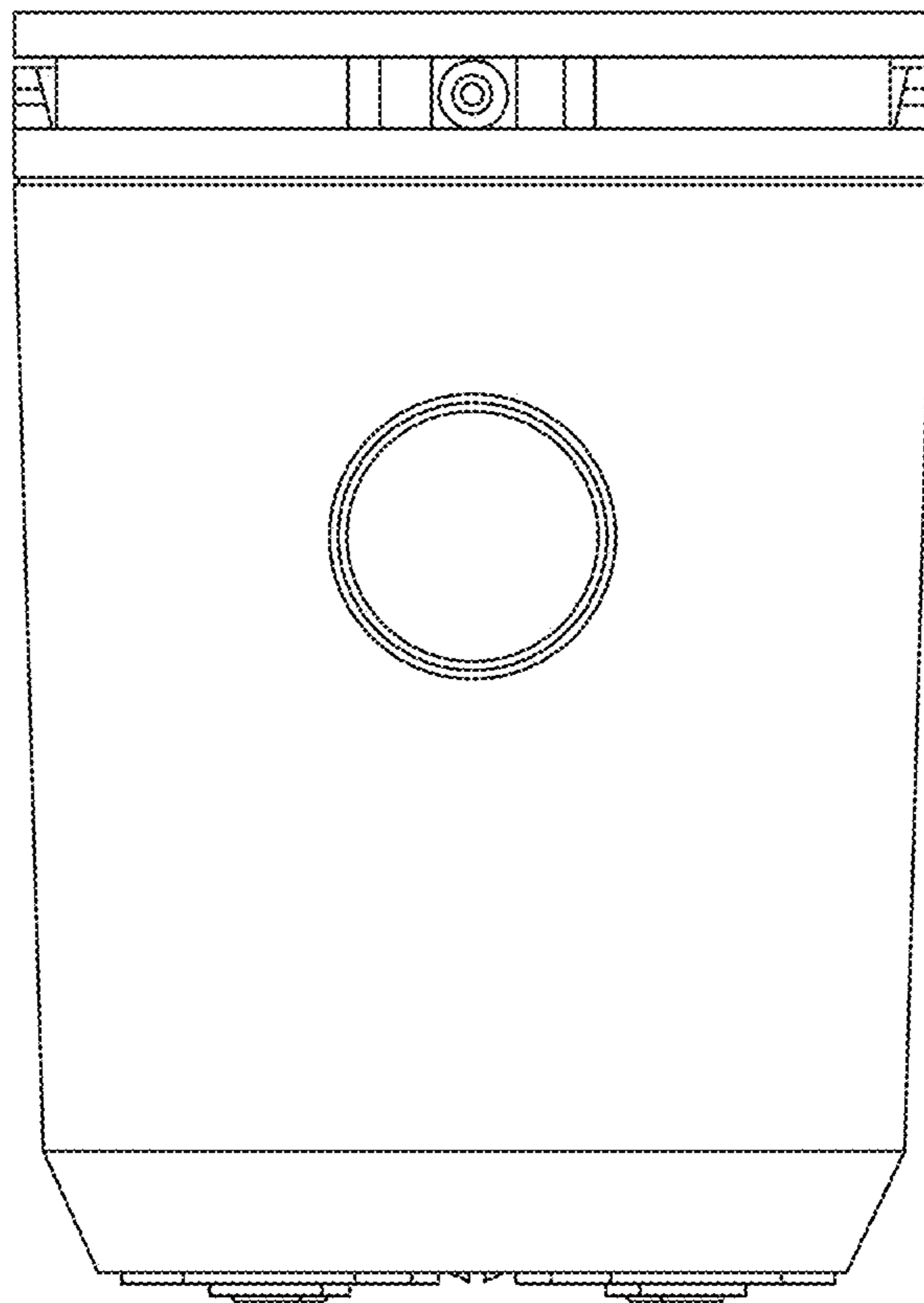
FOREIGN PATENT DOCUMENTS

CN 305584984 2/2020
CN 306137757 10/2020
EM 097545 6/2017

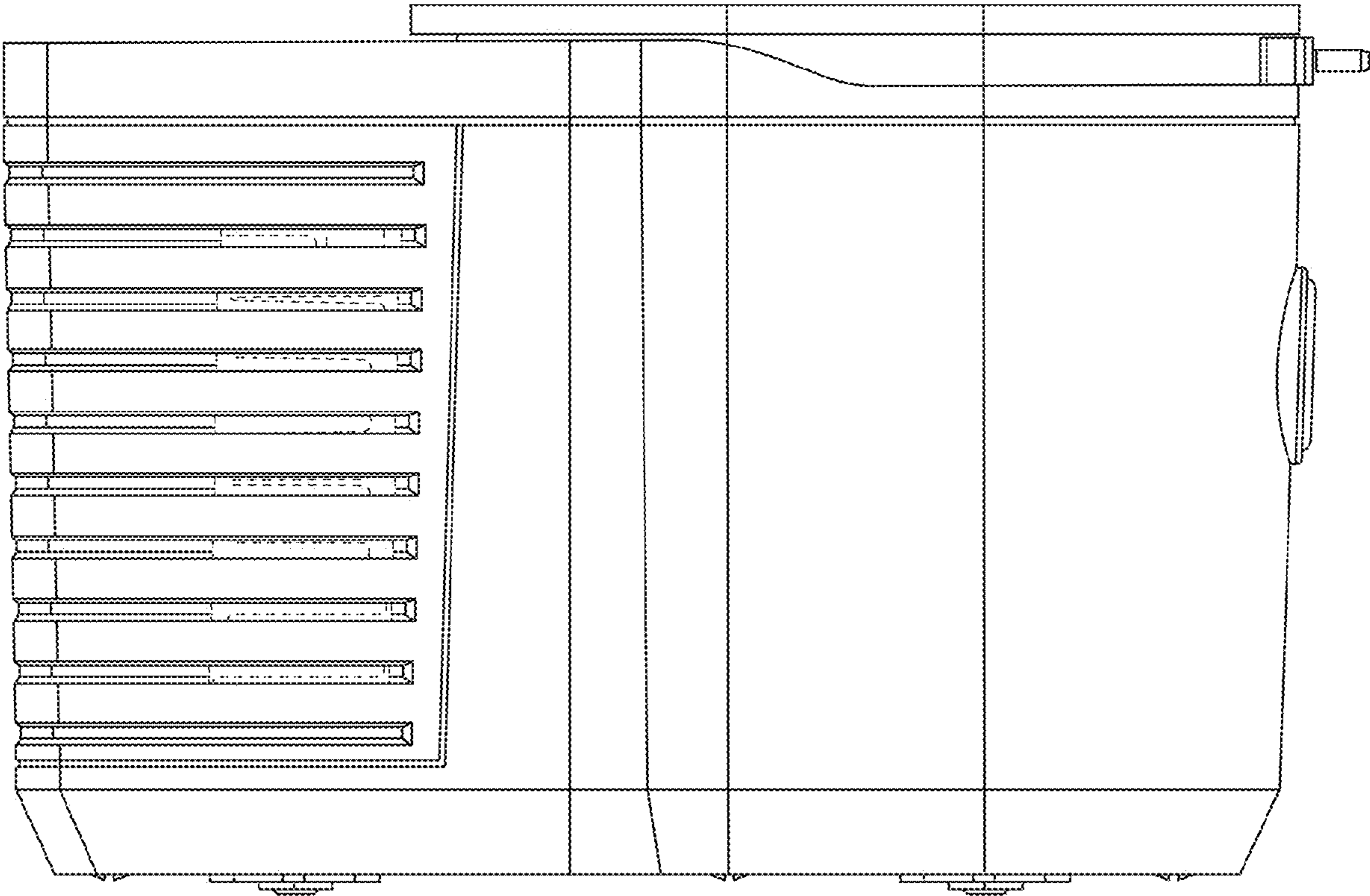
* cited by examiner



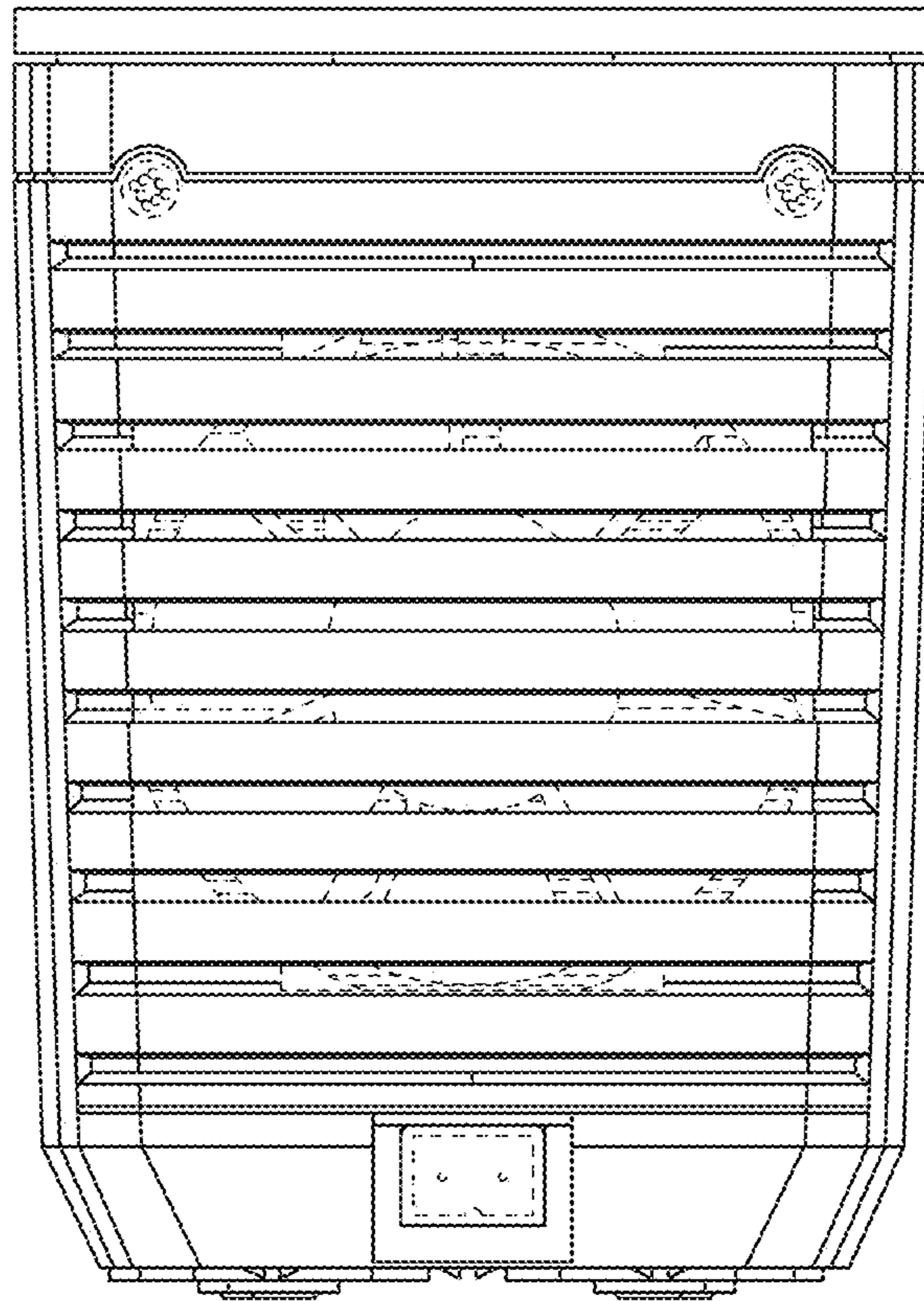
1.1



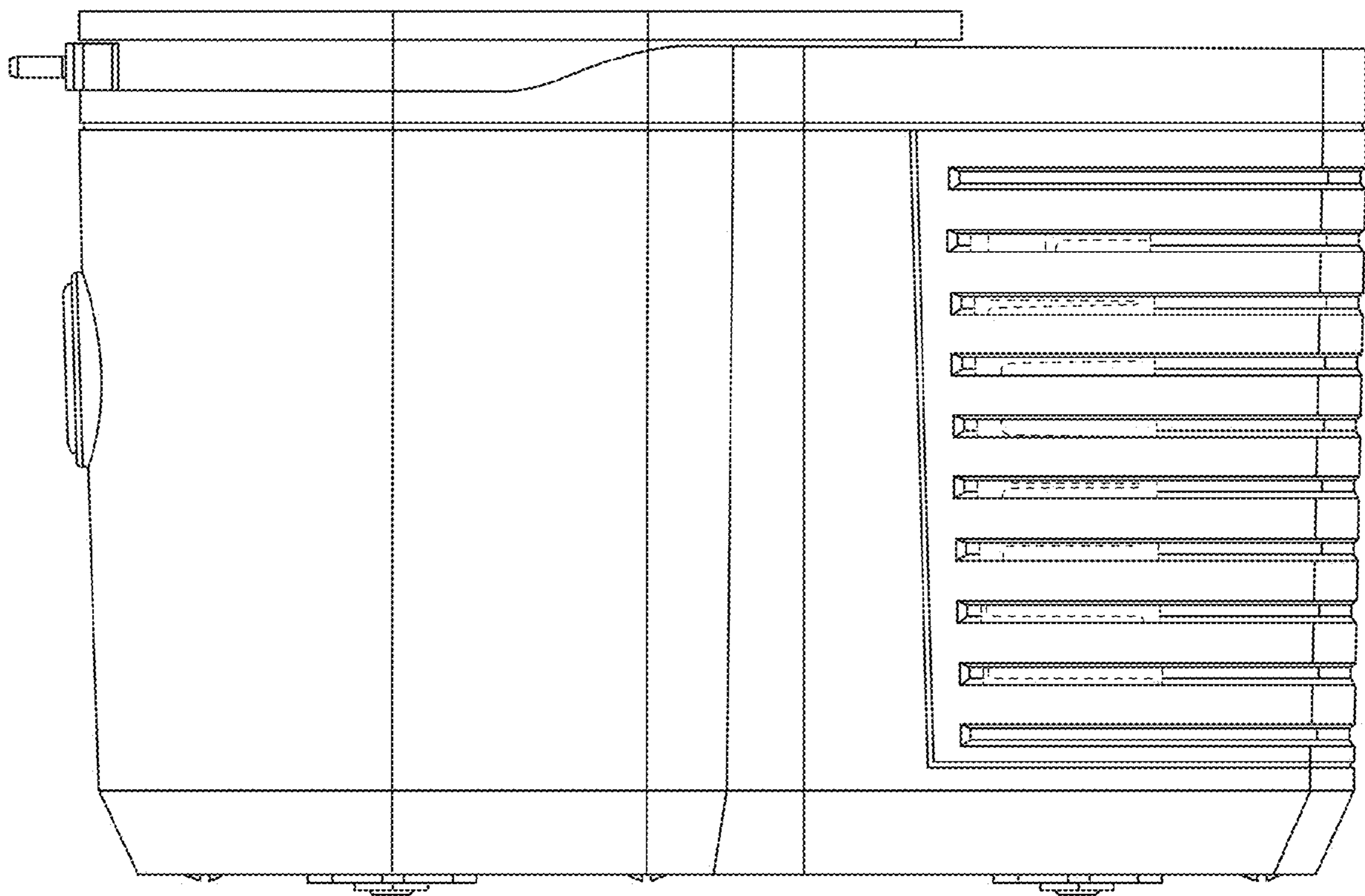
1.2



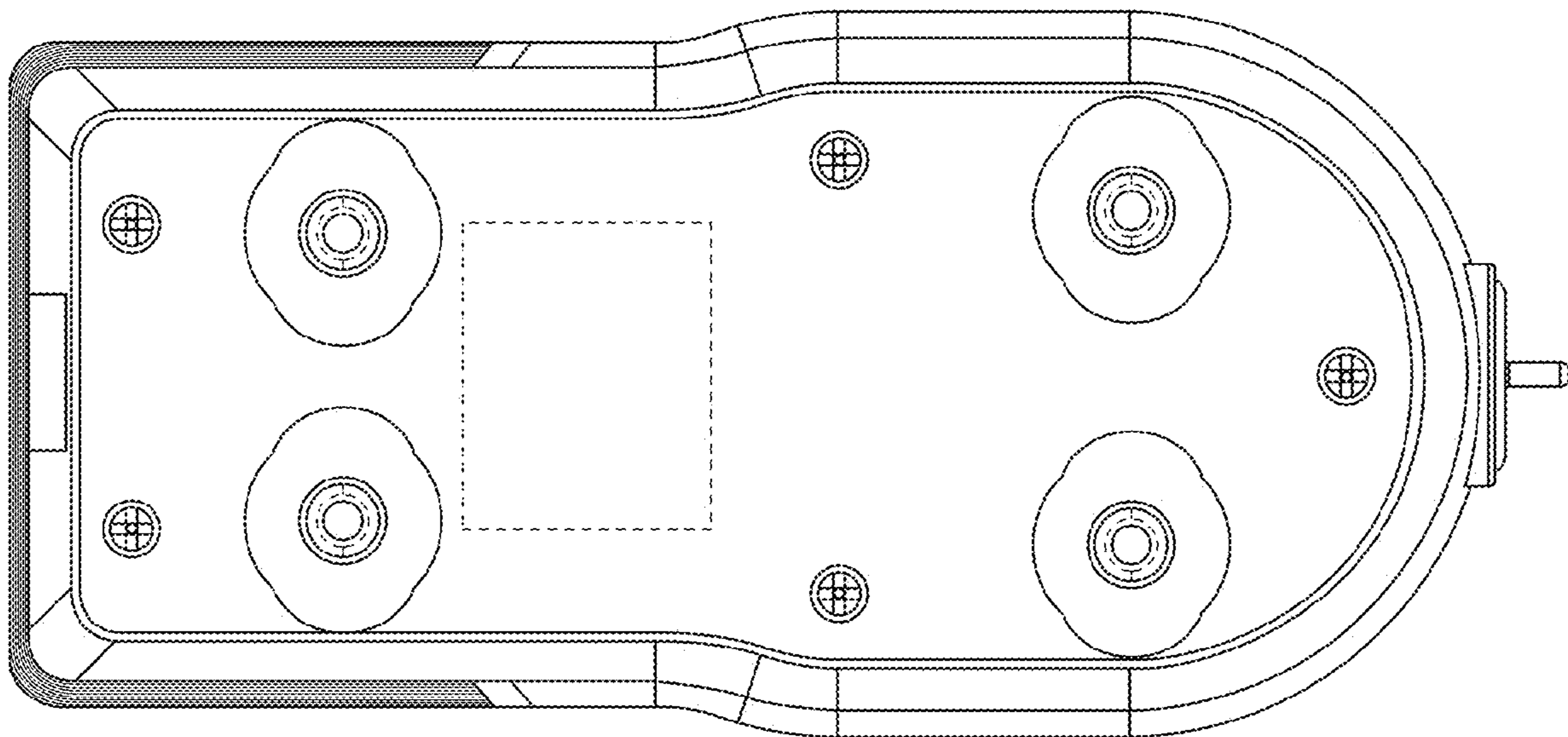
1.3



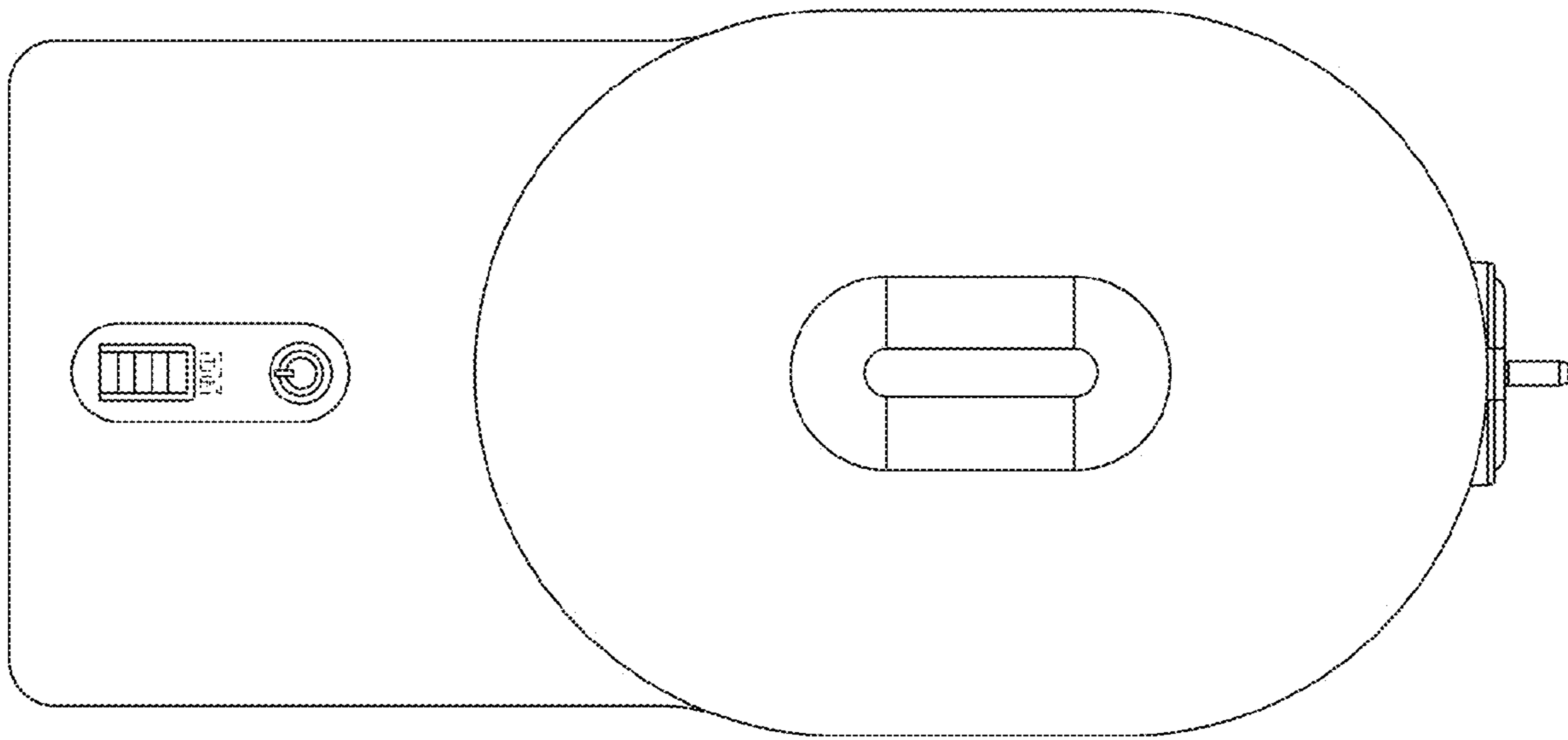
1.4



1.5



1.6



1.7