



US00D935256S

(12) **United States Design Patent**
Davies et al.

(10) **Patent No.:** **US D935,256 S**
(45) **Date of Patent:** **** Nov. 9, 2021**

- (54) **ARMREST INCLUDING A SEAT CONSOLE**
- (71) Applicant: **Gulfstream Aerospace Corporation**, Savannah, GA (US)
- (72) Inventors: **Richard Davies**, Savannah, GA (US); **Jeremiah Mallette**, Savannah, GA (US); **Aram Kasparian**, Savannah, GA (US); **Timothy O'Hara**, Savannah, GA (US)
- (73) Assignee: **Gulfstream Aerospace Corporation**, Savannah, GA (US)
- (**) Term: **15 Years**
- (21) Appl. No.: **29/693,061**
- (22) Filed: **May 30, 2019**
- (51) **LOC (13) Cl.** **06-06**
- (52) **U.S. Cl.**
USPC **D6/716.2**
- (58) **Field of Classification Search**
USPC D6/328, 334, 354, 355, 356, 364, 366, D6/601, 655, 702, 708, 708.16, 708.17, D6/708.18, 708.23, 708.24, 708.25, 712, D6/716.1, 716.2, 716.3, 716.4, 716.5, D6/716.6, 716.7, 379, 709; D21/662, D21/694, 695; D12/190, 345, 415, 419, D12/421
CPC .. A47C 1/03; A47C 4/02; A47C 31/00; A47C 7/54; A47C 7/541; A47C 1/0308; A47C 1/0307; A47C 7/70; B64D 11/06; B62J 1/18; B60N 2/01; B60N 2/46; B60N 2/753; B60N 2/773; B60N 2/793; B60N 3/101; B60N 3/102; B60N 3/106; E05B 83/32; E05D 15/505; B65D 43/16; B65D 43/22; B60R 7/04; B60R 13/0275; H01R 13/60

See application file for complete search history.

(56) **References Cited**

U.S. PATENT DOCUMENTS

- 3,224,808 A 12/1965 Spielman
- 4,012,014 A 3/1977 Marshall

- 4,380,938 A 4/1983 Olson
- 4,491,325 A 1/1985 Bersheim
- 4,588,226 A 5/1986 Young
- 4,671,572 A 6/1987 Young
- 4,756,528 A 7/1988 Umashankar
- D338,791 S * 8/1993 Cohen D6/716.2
- 5,244,066 A 9/1993 Kartcheske
- 5,458,399 A 10/1995 Gezari

(Continued)

FOREIGN PATENT DOCUMENTS

- DE 19507952 A1 9/1995
- JP 2005335447 A 12/2005

Primary Examiner — Kevin K Rudzinski

Assistant Examiner — Paul D Bohannon

(74) *Attorney, Agent, or Firm* — LKGlobal | Lorenz & Kopf, LLP

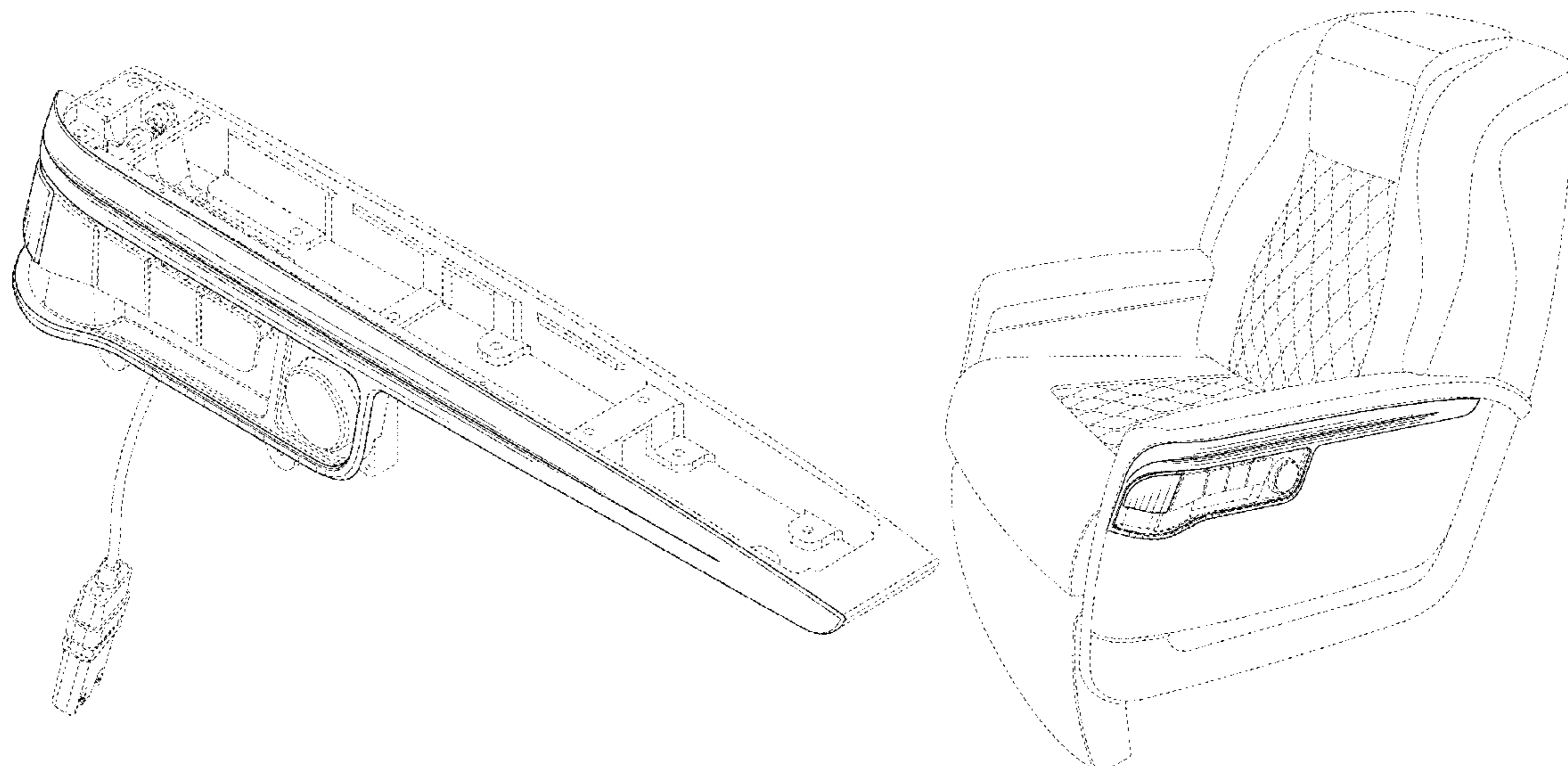
(57) **CLAIM**

The ornamental design for an armrest including a seat console, as shown and described.

DESCRIPTION

FIG. 1 is a side perspective view of an armrest including a seat console, shown with environment;
 FIG. 2 is a back view thereof;
 FIG. 3 is a front view thereof;
 FIG. 4 is a first side view thereof;
 FIG. 5 is a second side view thereof;
 FIG. 6 is a top view thereof;
 FIG. 7 is a bottom view thereof;
 FIG. 8 is a perspective view thereof, shown with additional environment of a seat console; and,
 FIG. 9 is another side perspective view thereof.
 The broken lines illustrate structure and environment that form no part of the claimed design.

1 Claim, 7 Drawing Sheets



(56)

References Cited

U.S. PATENT DOCUMENTS

5,566,778 A 10/1996 Salvini
 D376,060 S * 12/1996 Cohen D6/716.2
 D400,184 S * 10/1998 Meiller D13/171
 5,961,179 A 10/1999 Dixon
 6,065,560 A 5/2000 Allen, Jr.
 6,152,676 A 11/2000 Evert
 6,450,278 B1 9/2002 Fujii
 D465,678 S * 11/2002 Vo D6/716.7
 D488,011 S * 4/2004 Chi D6/366
 6,936,935 B2 8/2005 Dinkel
 7,290,635 B2 11/2007 Bisick et al.
 D673,234 S * 12/2012 O'Hara D21/773
 8,376,462 B2 2/2013 Marini
 8,601,896 B2 12/2013 Kenneth
 D711,302 S * 8/2014 van Braeckel D12/190
 D716,755 S * 11/2014 Yong D14/188
 D729,144 S * 5/2015 Yamamoto D12/415
 9,120,557 B2 9/2015 Antraygue

D804,393 S * 12/2017 Yoo D12/415
 D824,324 S * 7/2018 Gao D12/415
 10,266,071 B2 4/2019 Haller
 10,279,917 B1 5/2019 Garing
 10,331,233 B2 6/2019 Radley
 D883,863 S * 5/2020 Bodman D12/133
 D890,271 S * 7/2020 Carmichael D21/686
 D890,559 S * 7/2020 Grace D6/716.2
 D909,268 S * 2/2021 Harcup D12/195
 D913,199 S * 3/2021 Song D12/415
 2001/0020799 A1 * 9/2001 Bullesbach B60N 2/767
 297/411.38
 2007/0132284 A1 * 6/2007 Ekladyous B60N 2/793
 297/188.17
 2014/0167479 A1 * 6/2014 Sanae A47C 7/54
 297/411.38
 2016/0022046 A1 * 1/2016 Yamane B60N 2/77
 297/411.32
 2017/0267255 A1 9/2017 Koji
 2018/0312084 A1 11/2018 Sebastiaan

* cited by examiner

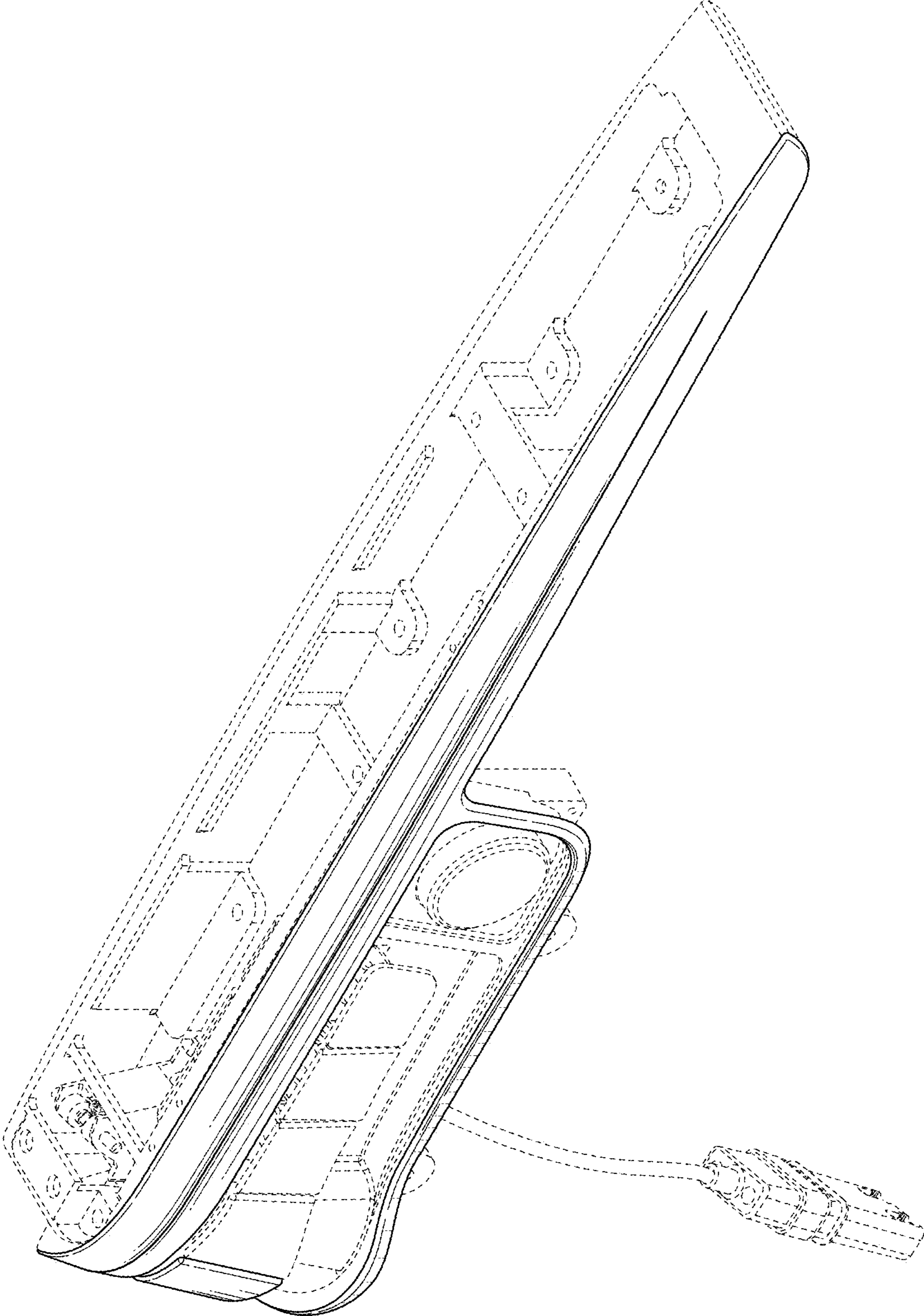


FIG. 1

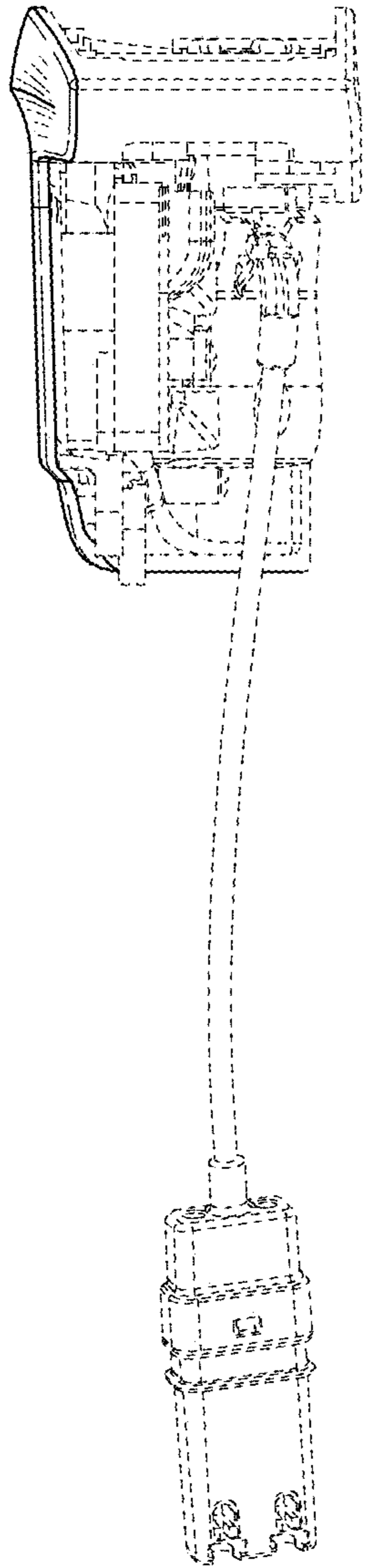


FIG. 2

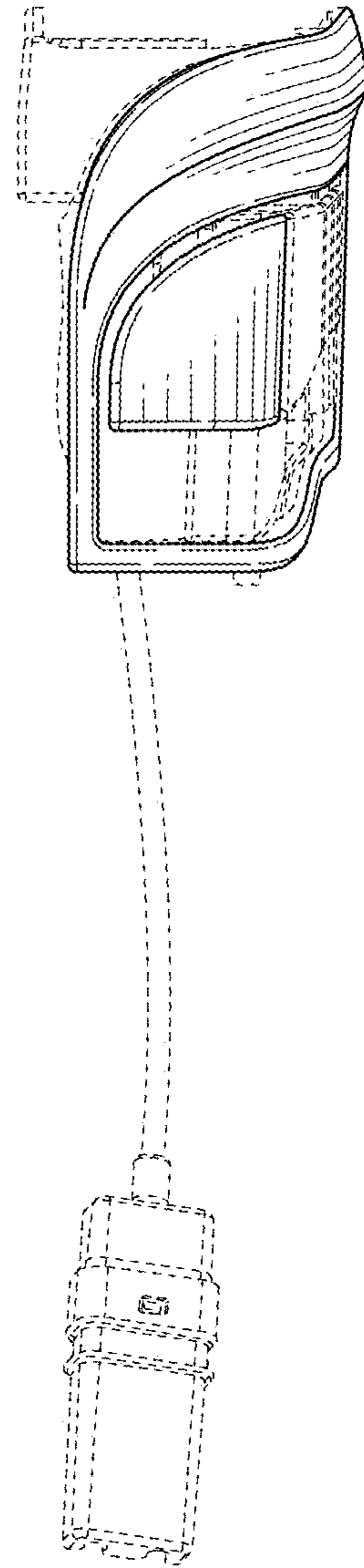


FIG. 3

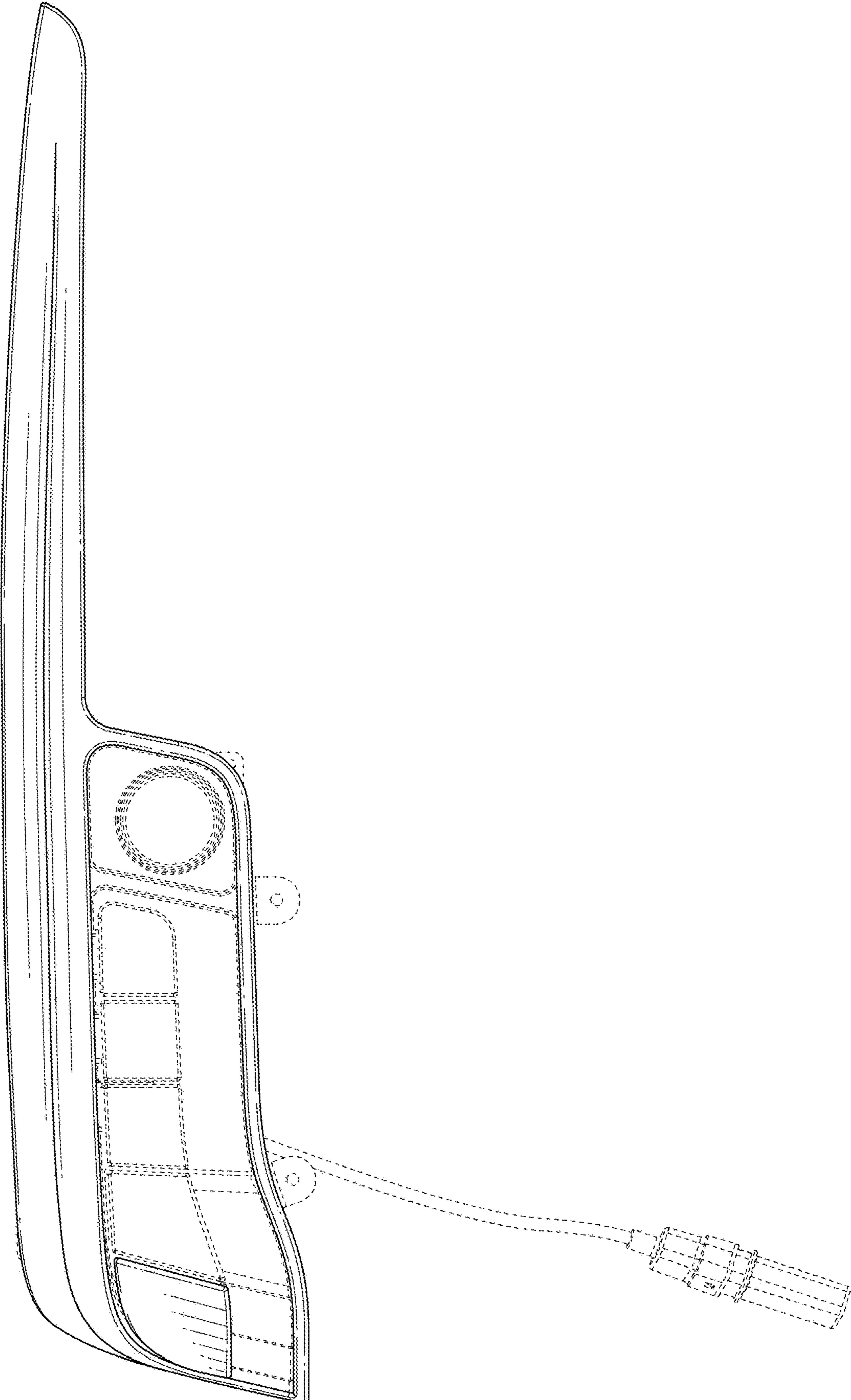


FIG. 4

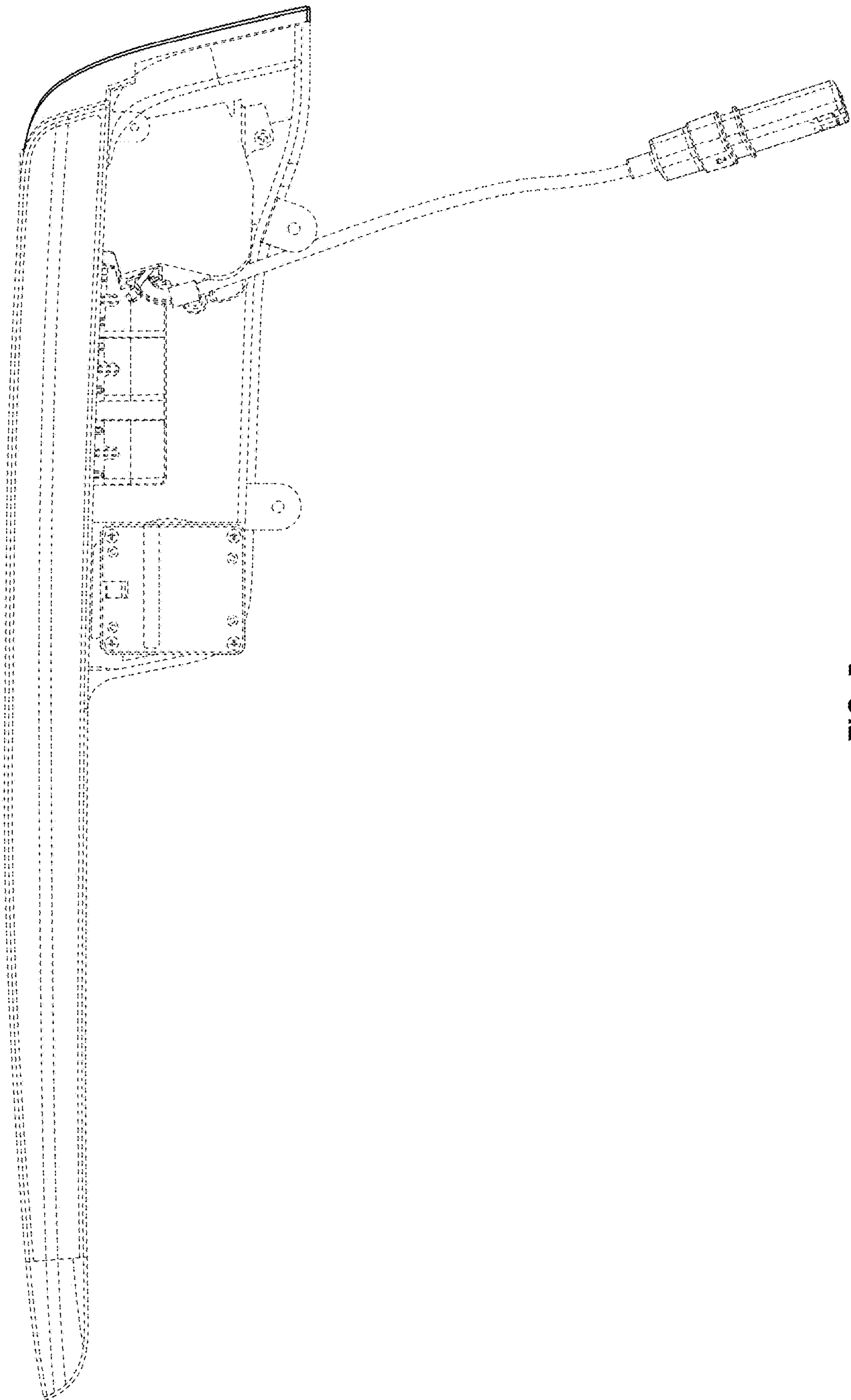


FIG. 5

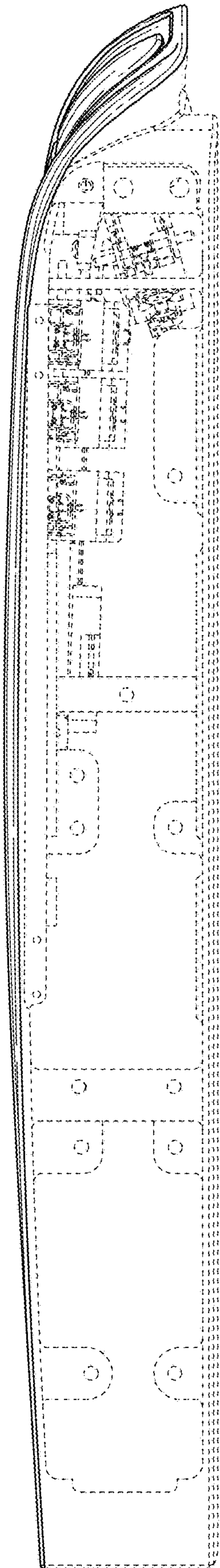


FIG. 6

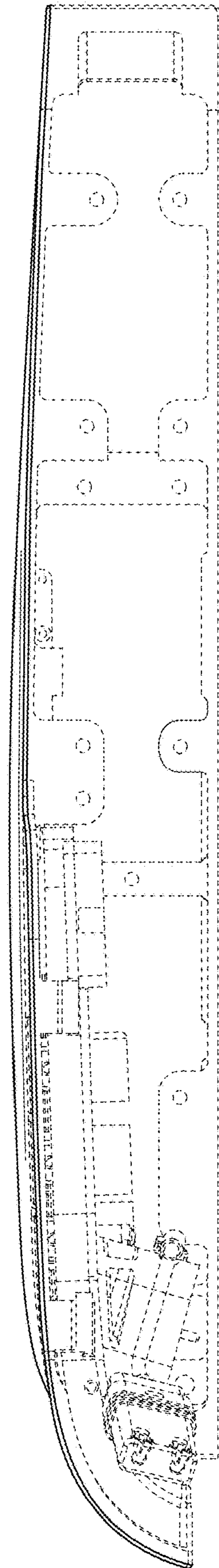


FIG. 7

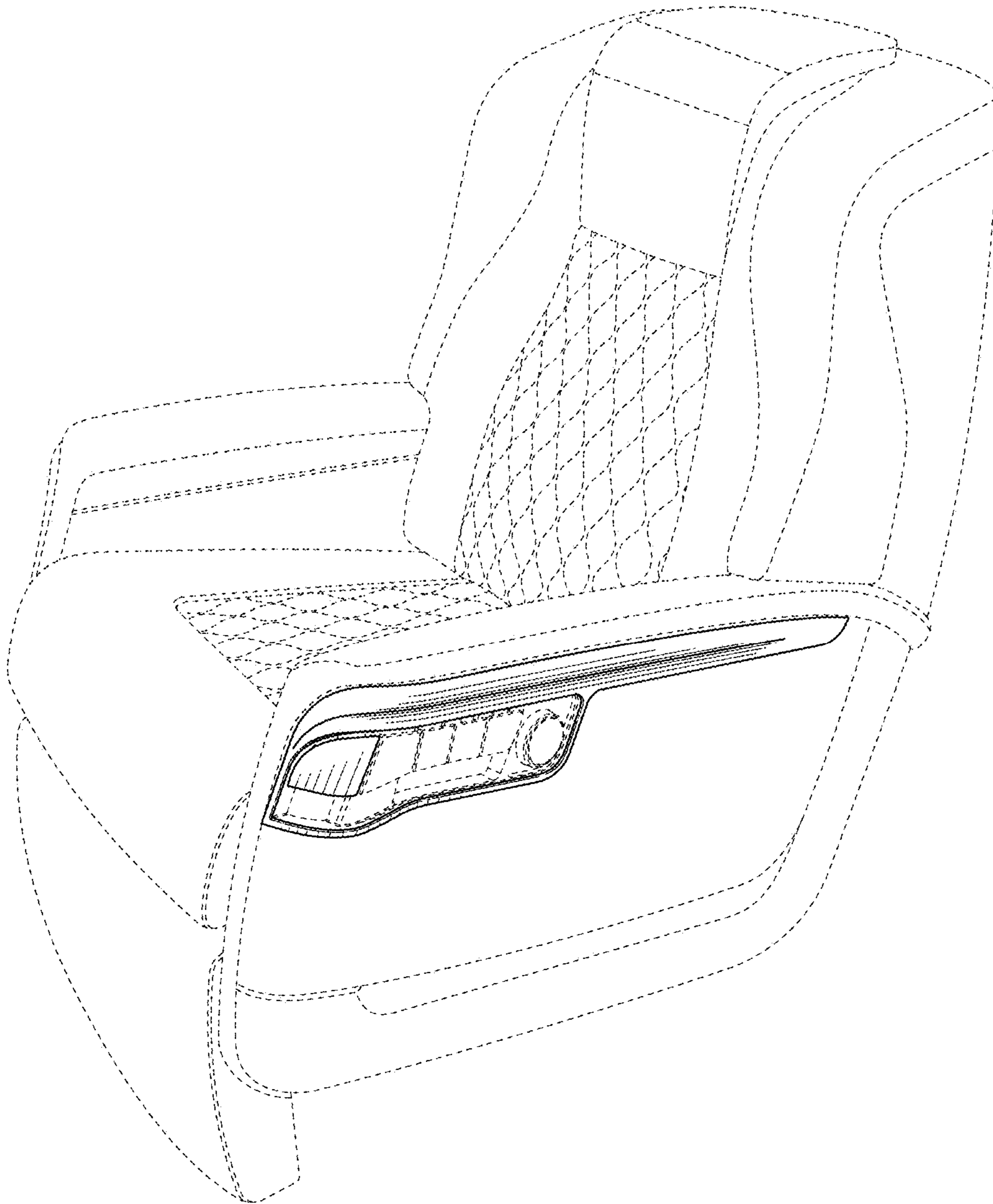


FIG. 8

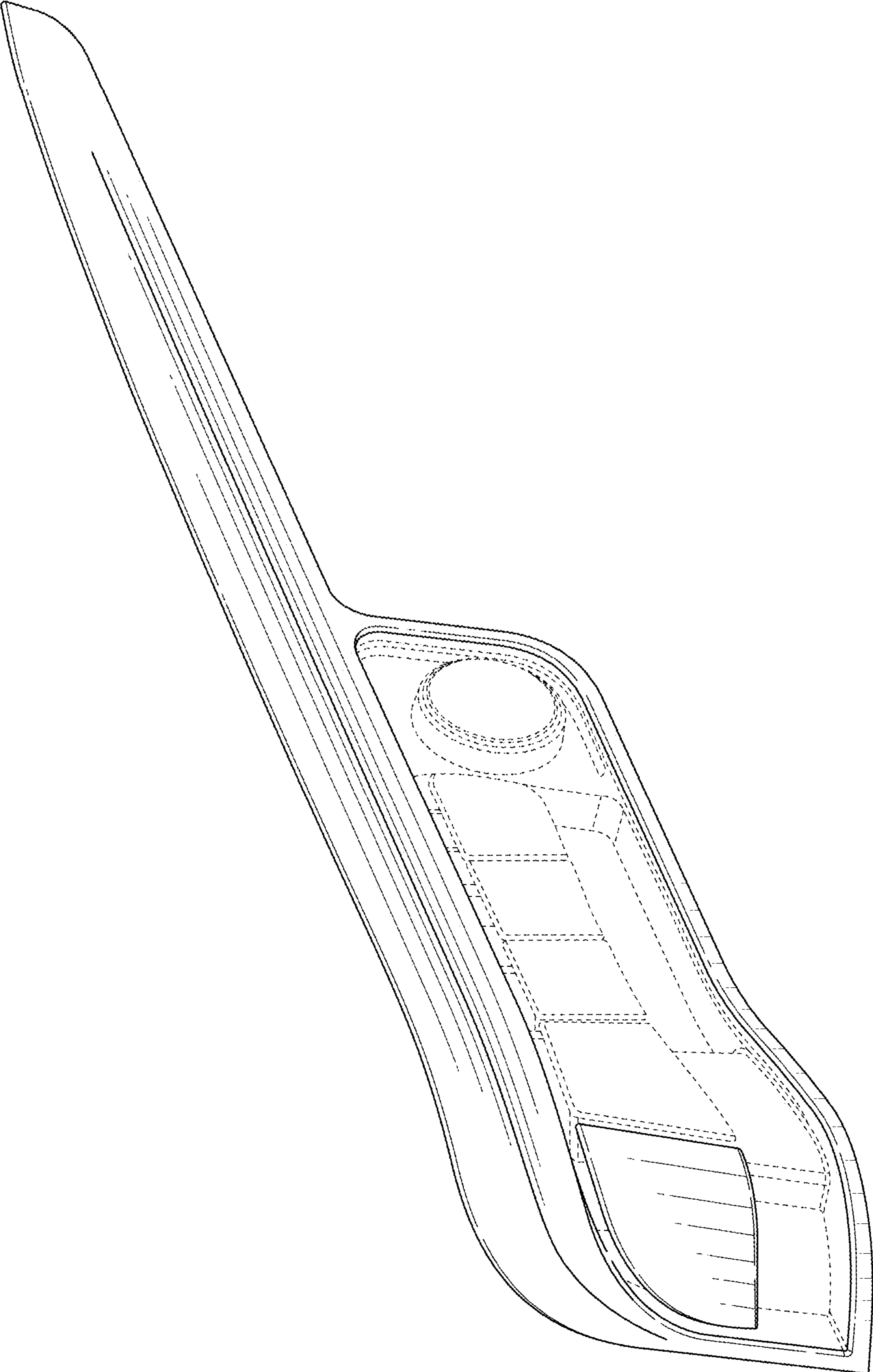


FIG. 9